

[54] INSECT GUARD

D. 295,884 5/1988 Johnson ..... D22/119  
1,723,919 8/1929 Bykowsky ..... D22/122  
2,255,360 9/1941 Miller ..... 43/121

[76] Inventor: Charles R. Johnson, 6786 Pembroke, San Antonio, Tex. 78240

Primary Examiner—A. Hugo Word  
Assistant Examiner—Doris V. Coles  
Attorney, Agent, or Firm—John C. Stahl

[\*] Notice: The portion of the term of this patent subsequent to May 24, 2002 has been disclaimed.

[57] CLAIM

[\*\*] Term: 14 Years

The ornamental design for an insect guard, as shown and described.

[21] Appl. No.: 180,273

DESCRIPTION

[22] Filed: Apr. 11, 1988

[52] U.S. Cl. .... D22/122

[58] Field of Search ..... D22/119, 122; D30/128; 43/131, 132.1, 121, 112, 107

FIG. 1 is a side elevational view of an insect guard, showing my new design.

FIG. 2 is a side elevational view, rotated ninety degrees in a counter-clockwise direction relative to FIG. 1.

FIG. 3 is a vertical sectional view taken along the medial plane of FIG. 1, with the filler cap removed.

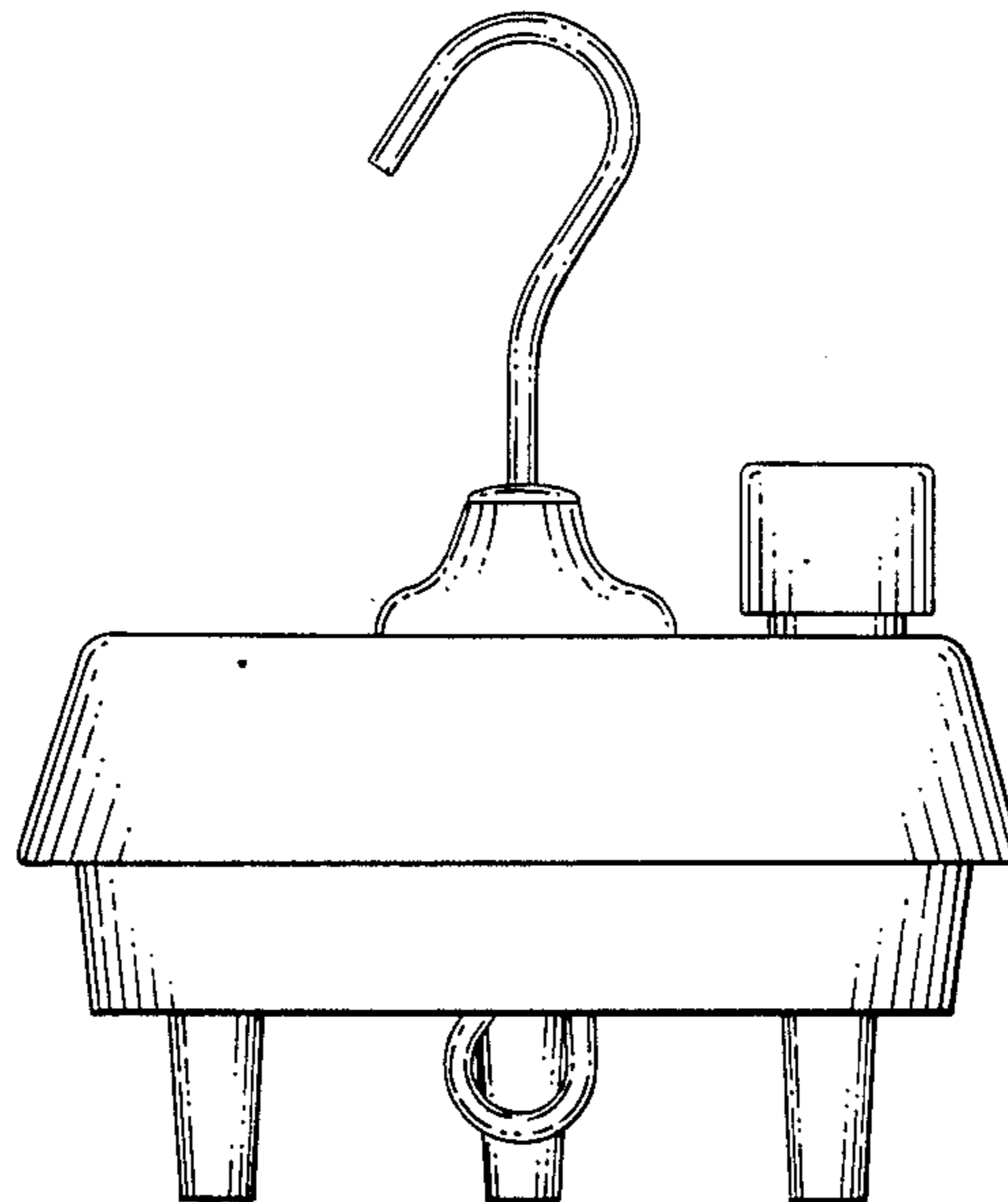
FIG. 4 is a top plan view of FIG. 1; and

FIG. 5 is a bottom plan view of FIG. 1.

[56] References Cited

U.S. PATENT DOCUMENTS

D. 042,298 3/1912 Rainey ..... D22/122



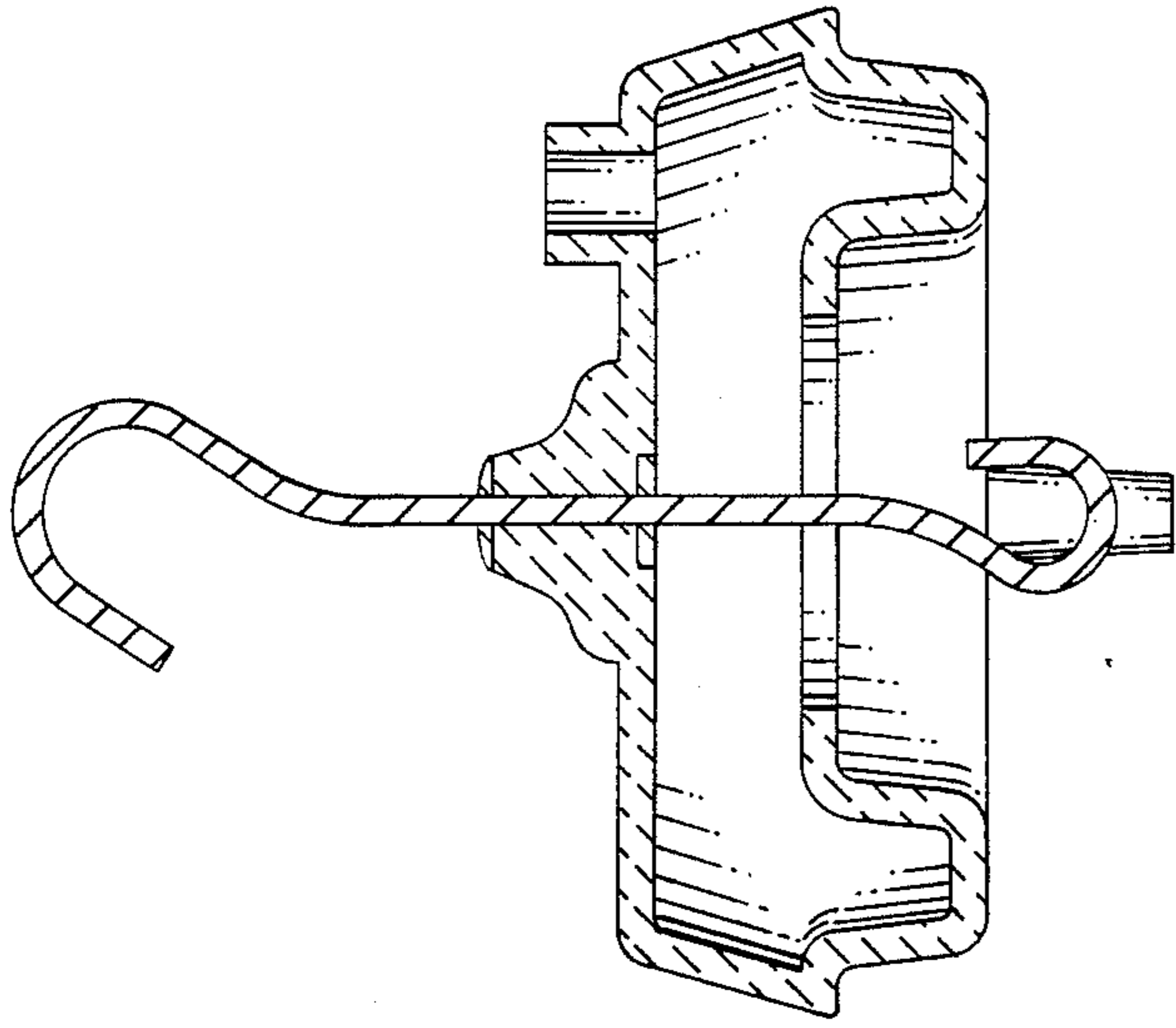


FIG. 3

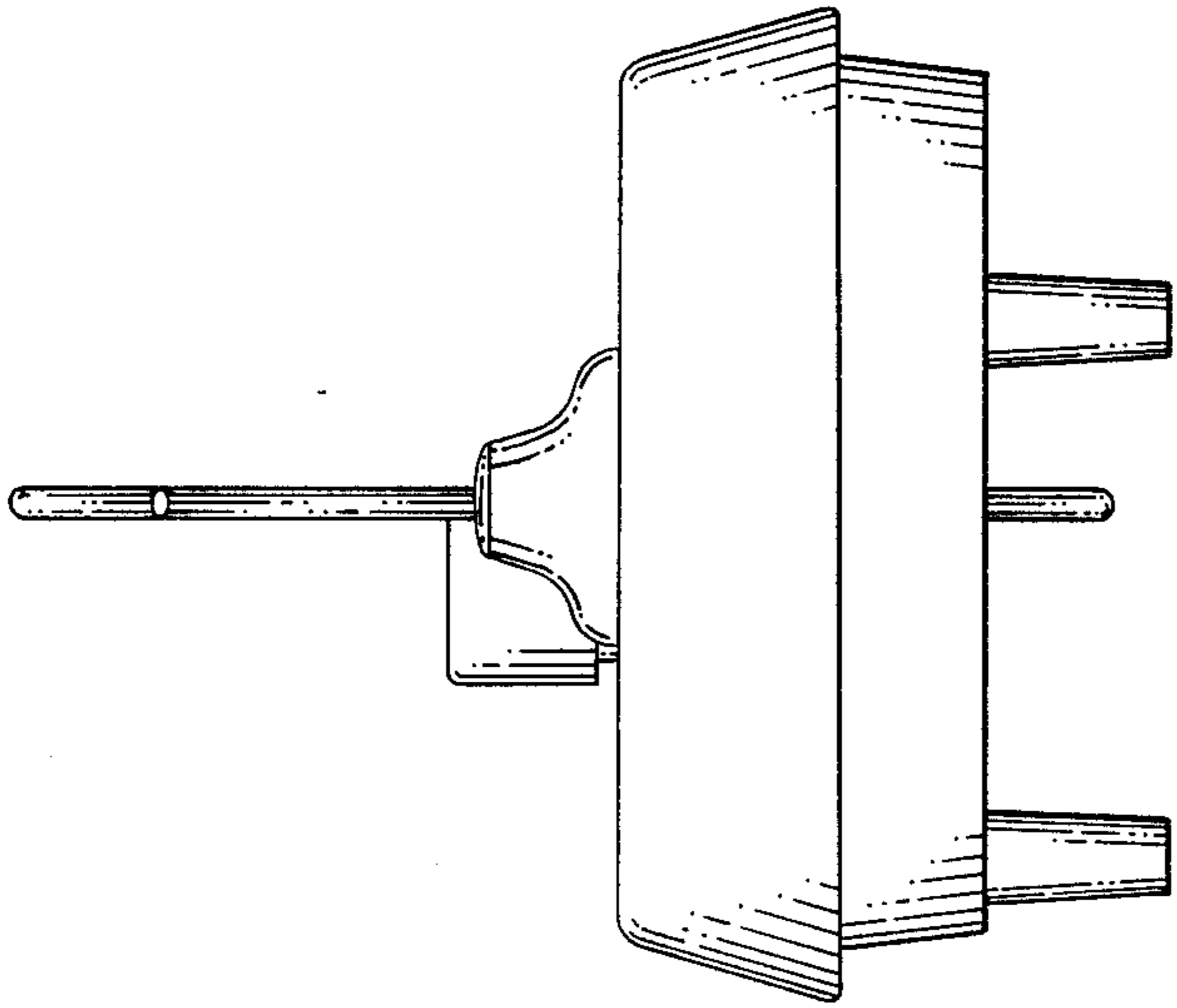


FIG. 2

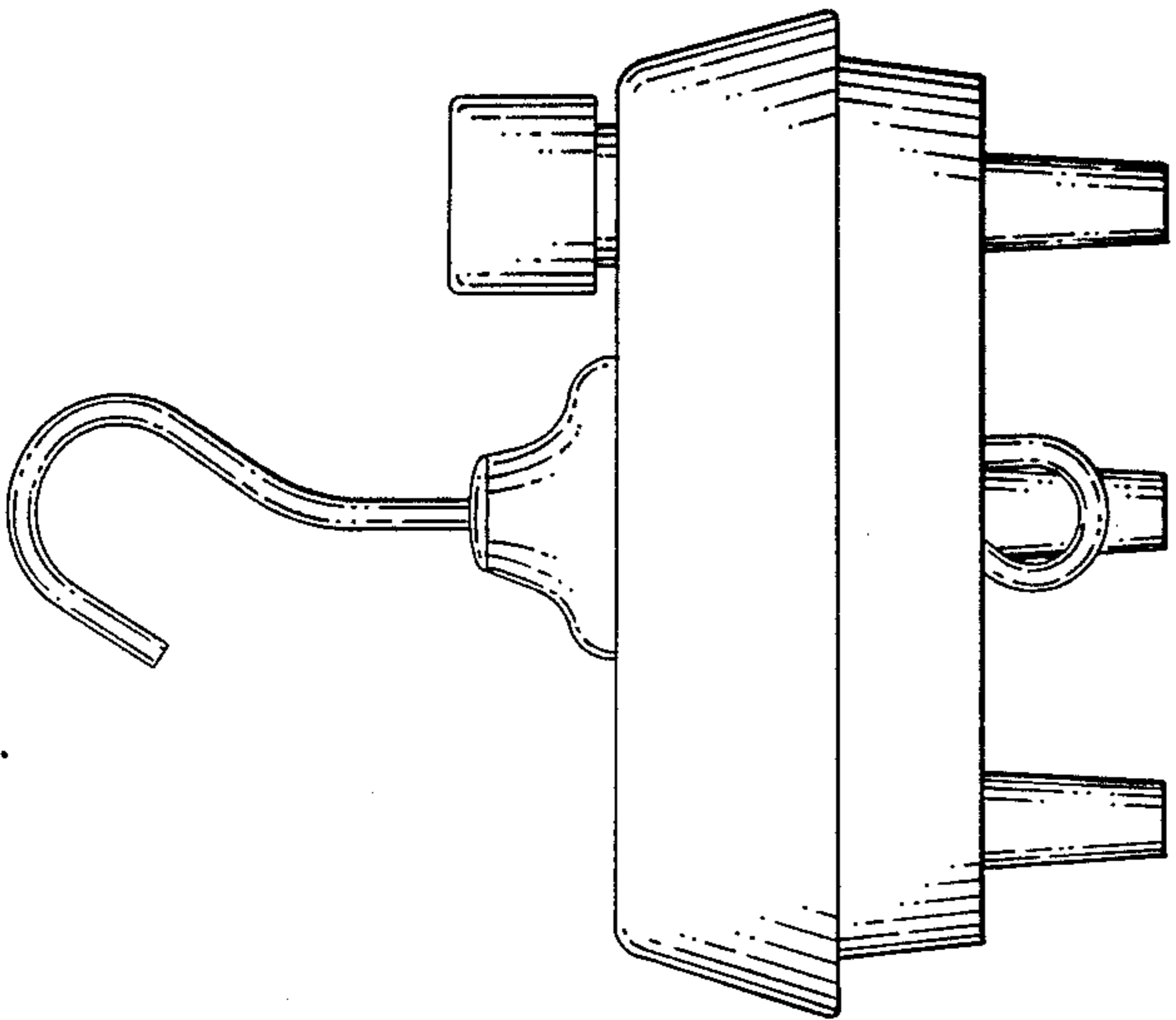


FIG. 1

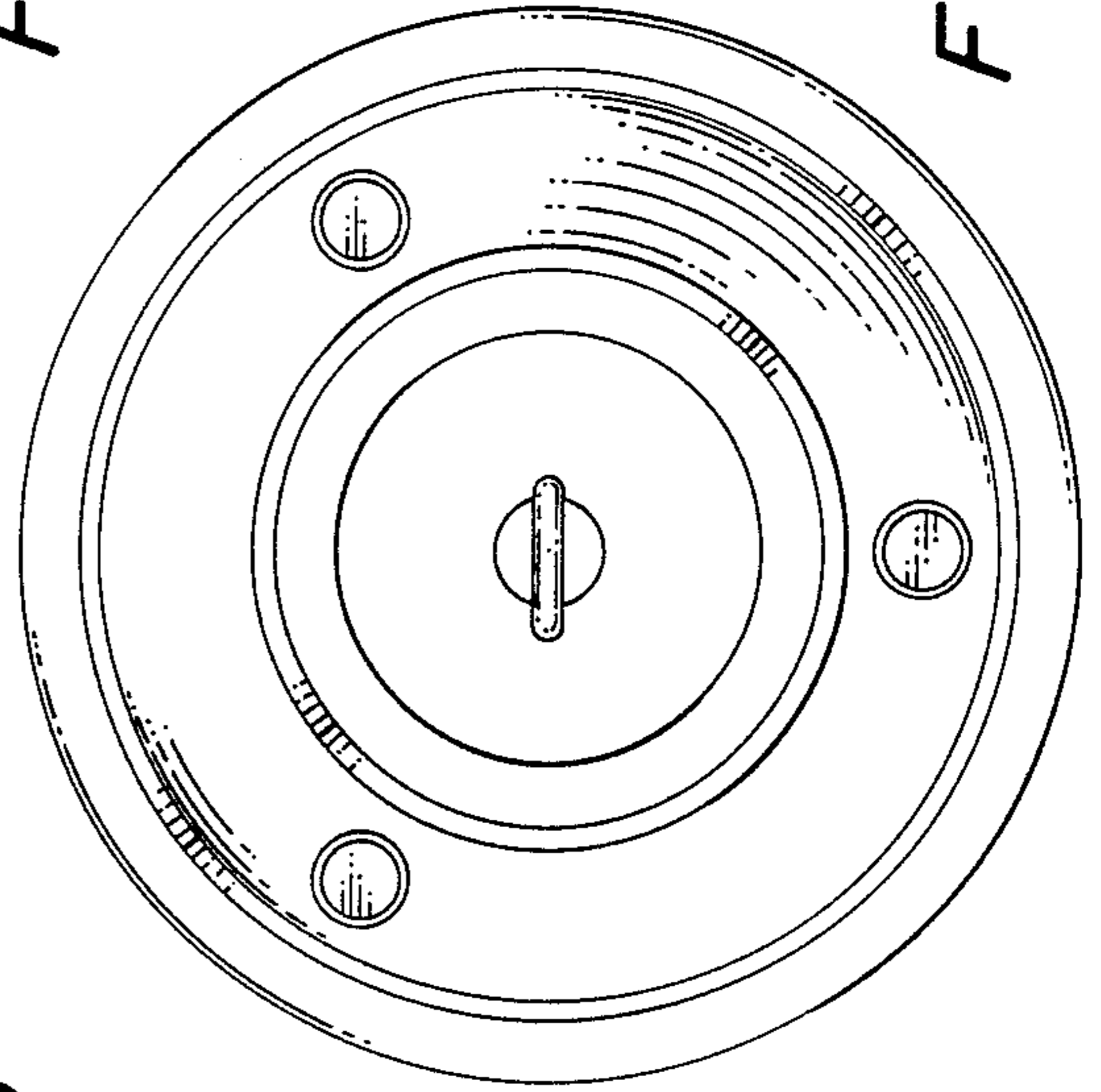


FIG. 5

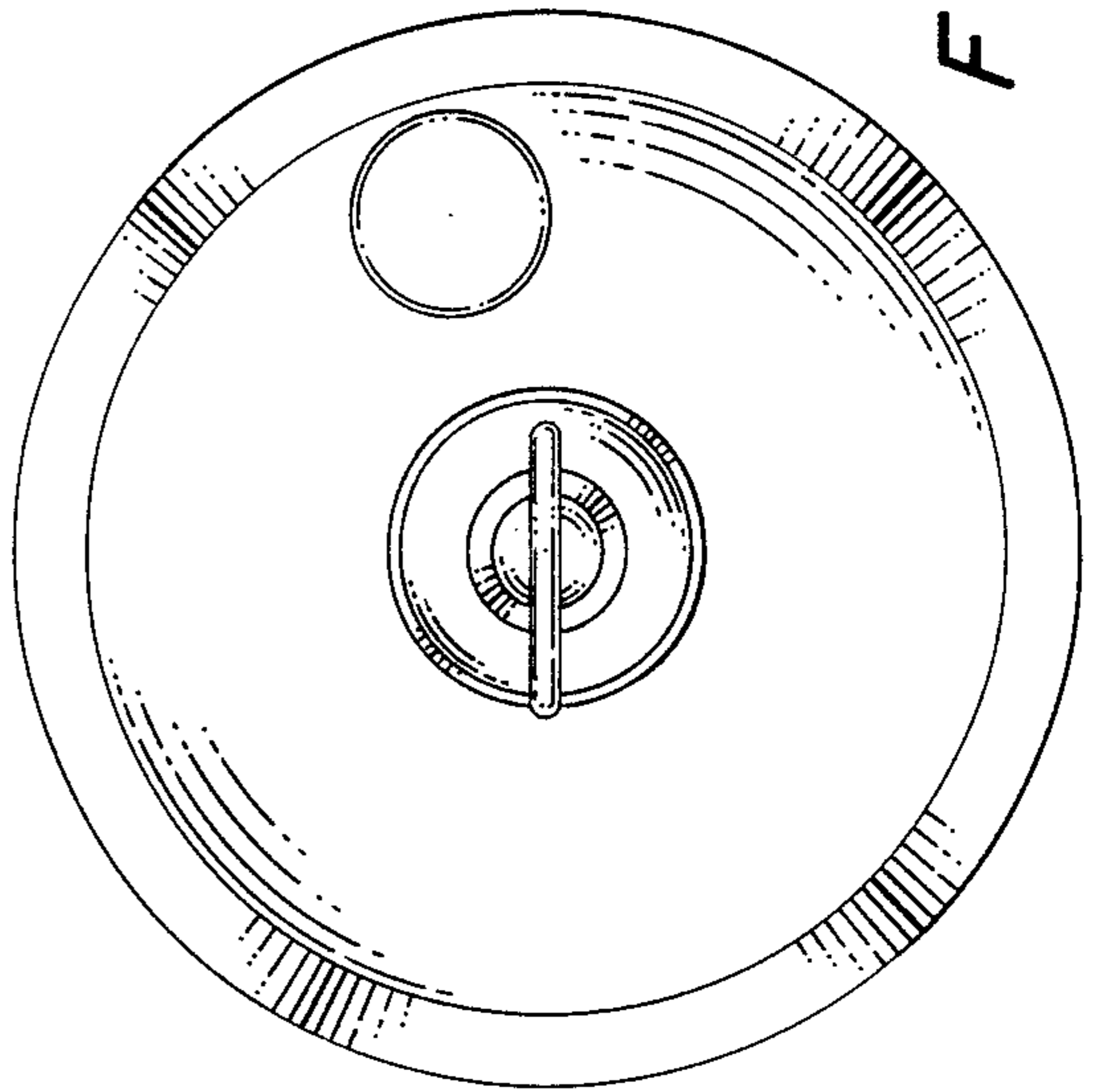


FIG. 4