

[54] TAMPER RESISTANT BAIT TRAY OR SIMILAR ARTICLE

D. 278,842 5/1985 Woodruff ..... D22/119  
4,468,883 9/1984 Williams ..... D22/119 X  
4,563,836 1/1986 Woodruff et al. .... 43/131  
4,793,093 12/1988 Gentile ..... 43/131

[75] Inventors: Bryan E. Petersen, Westwood;  
Michael Kanceljak, Bloomingdale,  
both of N.J.

Primary Examiner—A. Hugo Word  
Assistant Examiner—Doris V. Coles  
Attorney, Agent, or Firm—Charles J. Fickey

[73] Assignee: American Cyanamid Company,  
Stamford, Conn.

[57] CLAIM

[\*] Notice: The portion of the term of this patent  
subsequent to Sep. 18, 2004 has been  
disclaimed.

The ornamental design for a tamper resistant bait tray  
or similar article, as shown and described.

[\*\*] Term: 14 Years

DESCRIPTION

[21] Appl. No.: 54,152

FIG. 1 is a rear elevational view of a tamper resistant  
bait or similar article, showing my new design;  
FIG. 2 is a top plan view thereof;  
FIG. 3 is a front elevational view thereof;  
FIG. 4 is a right side elevational view thereof;  
FIG. 5 is a left side elevational view thereof;  
FIG. 6 is a bottom plan view thereof;  
FIG. 7 is a cross-sectional view, taken along line 7—7 of  
FIG. 2; and  
FIG. 8 is a cross-sectional view, taken along lines 8—8  
of FIG. 2.

[22] Filed: Oct. 1, 1987

[52] U.S. Cl. .... D22/119

[58] Field of Search ..... D22/119, 122; 43/58,  
43/107, 114, 121, 131

[56] References Cited  
U.S. PATENT DOCUMENTS

D. 273,032 3/1984 Woodruff ..... D22/122

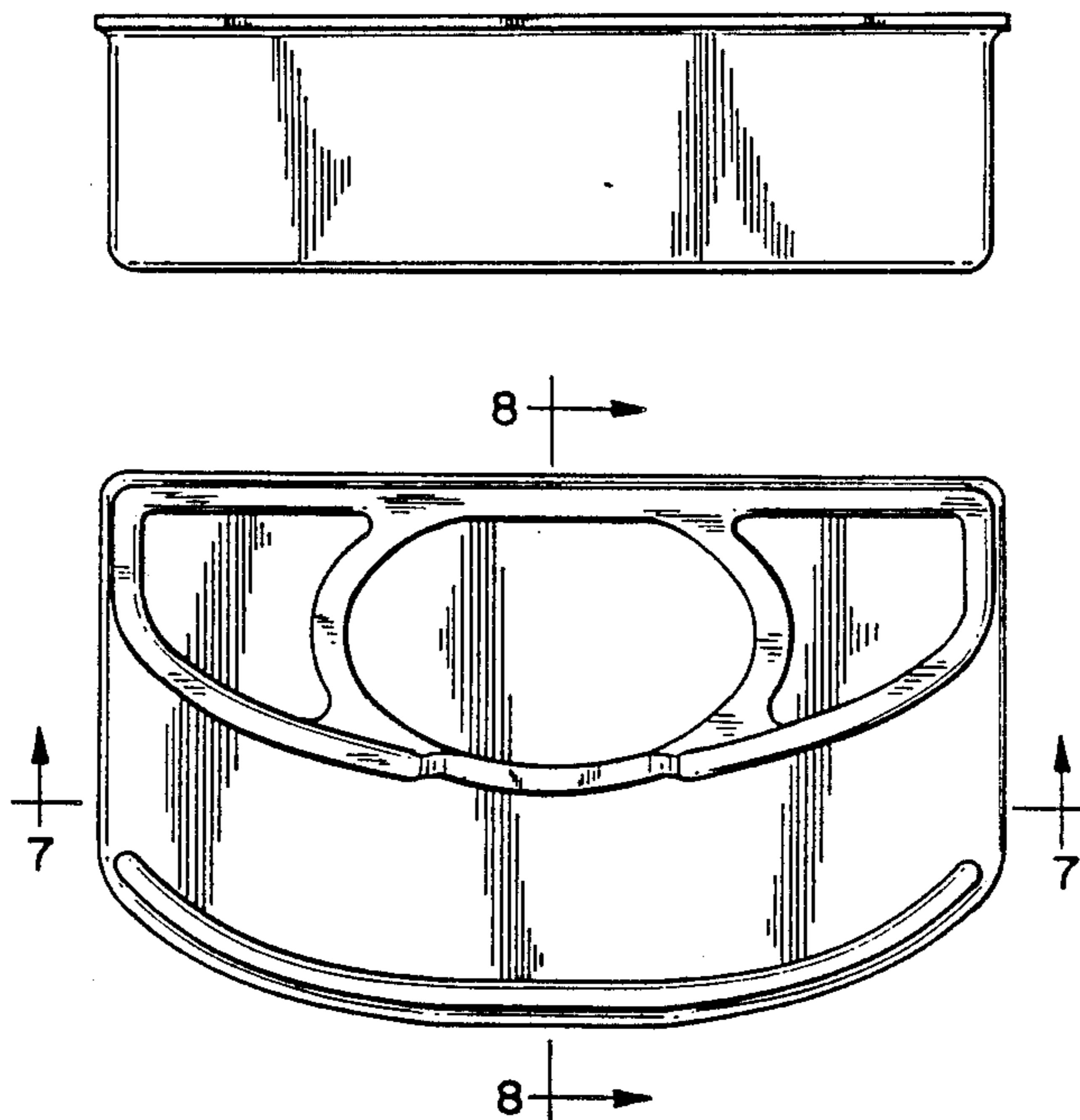


FIG. 1

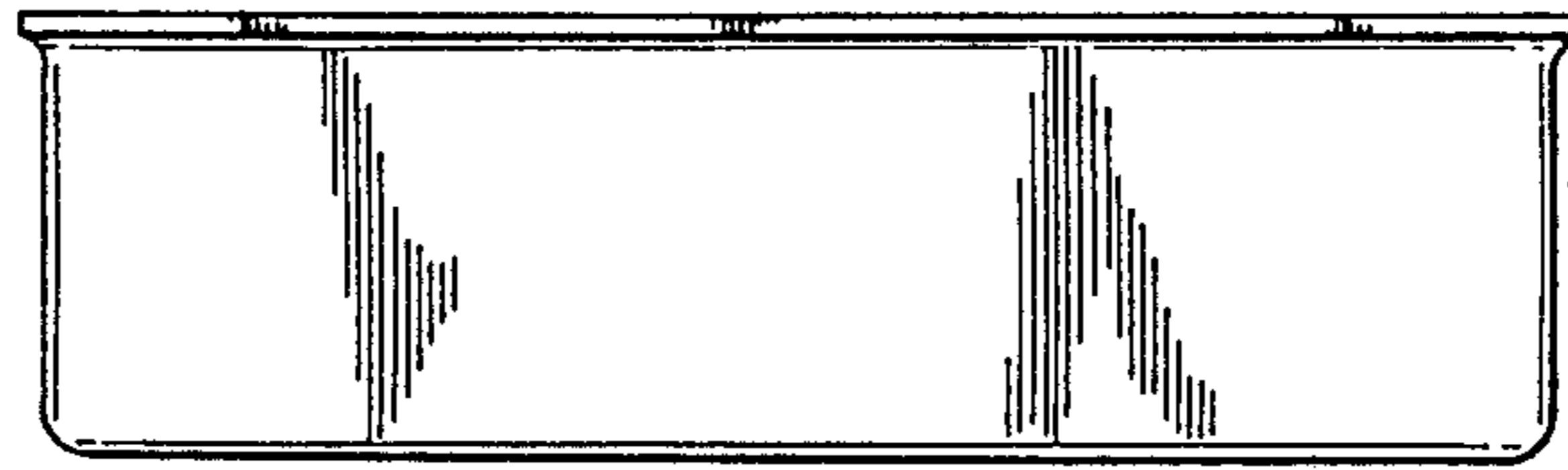


FIG. 4

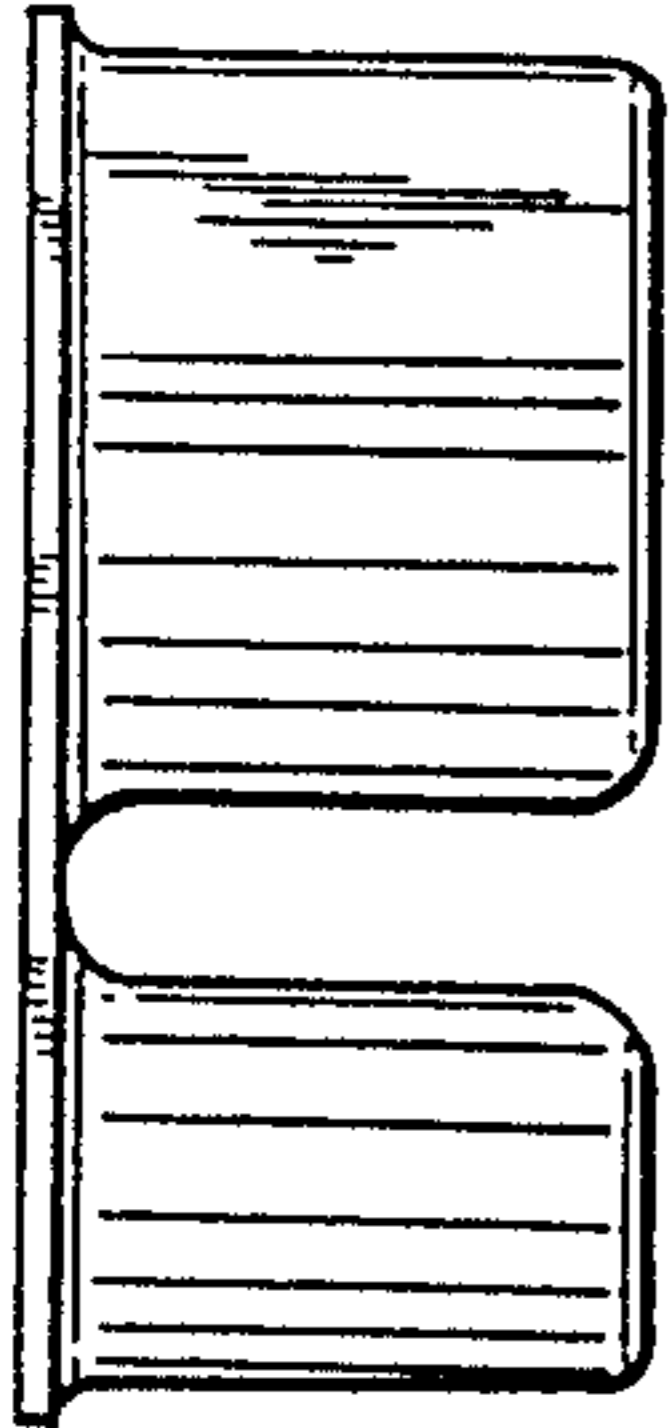


FIG. 2

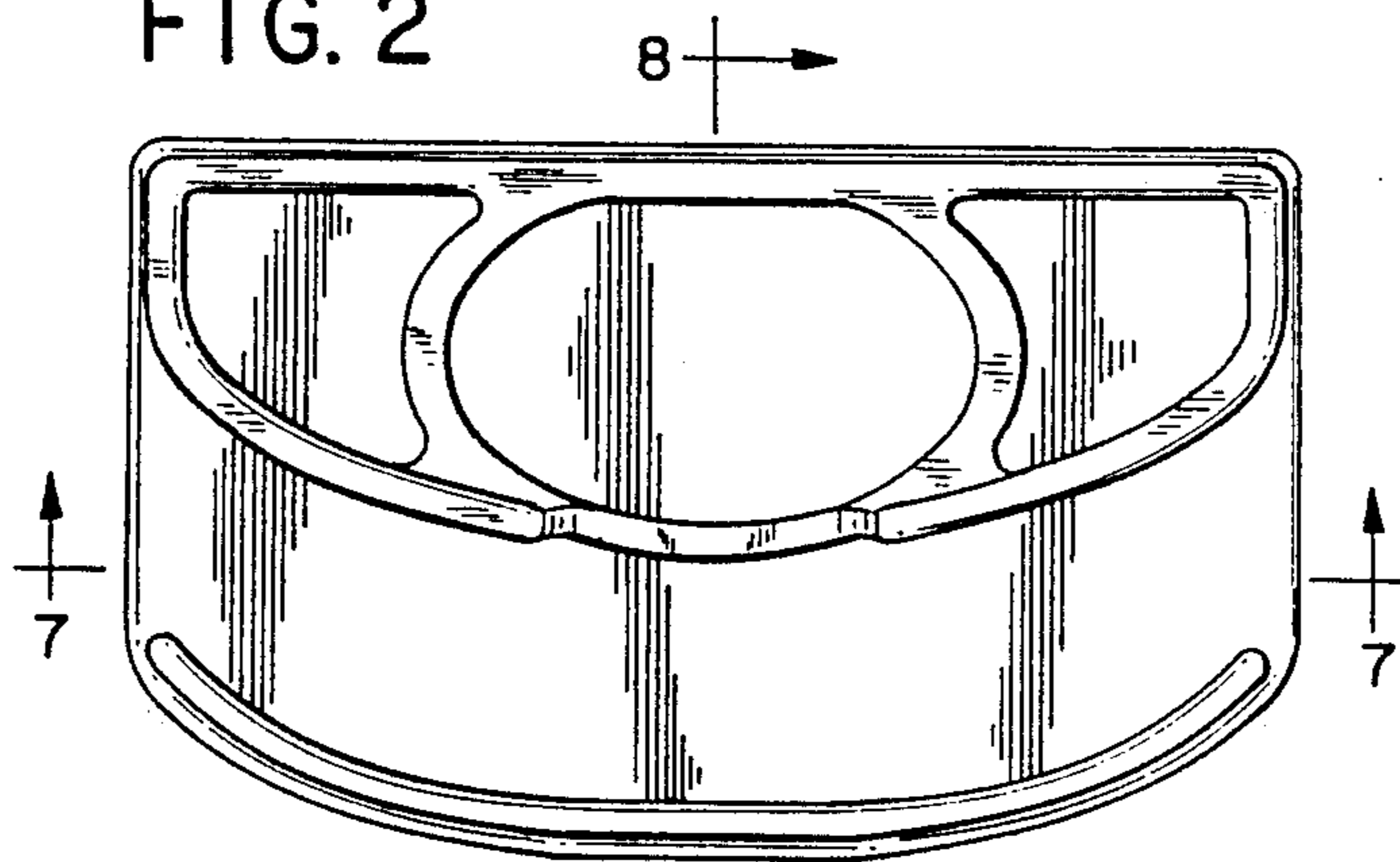


FIG. 5

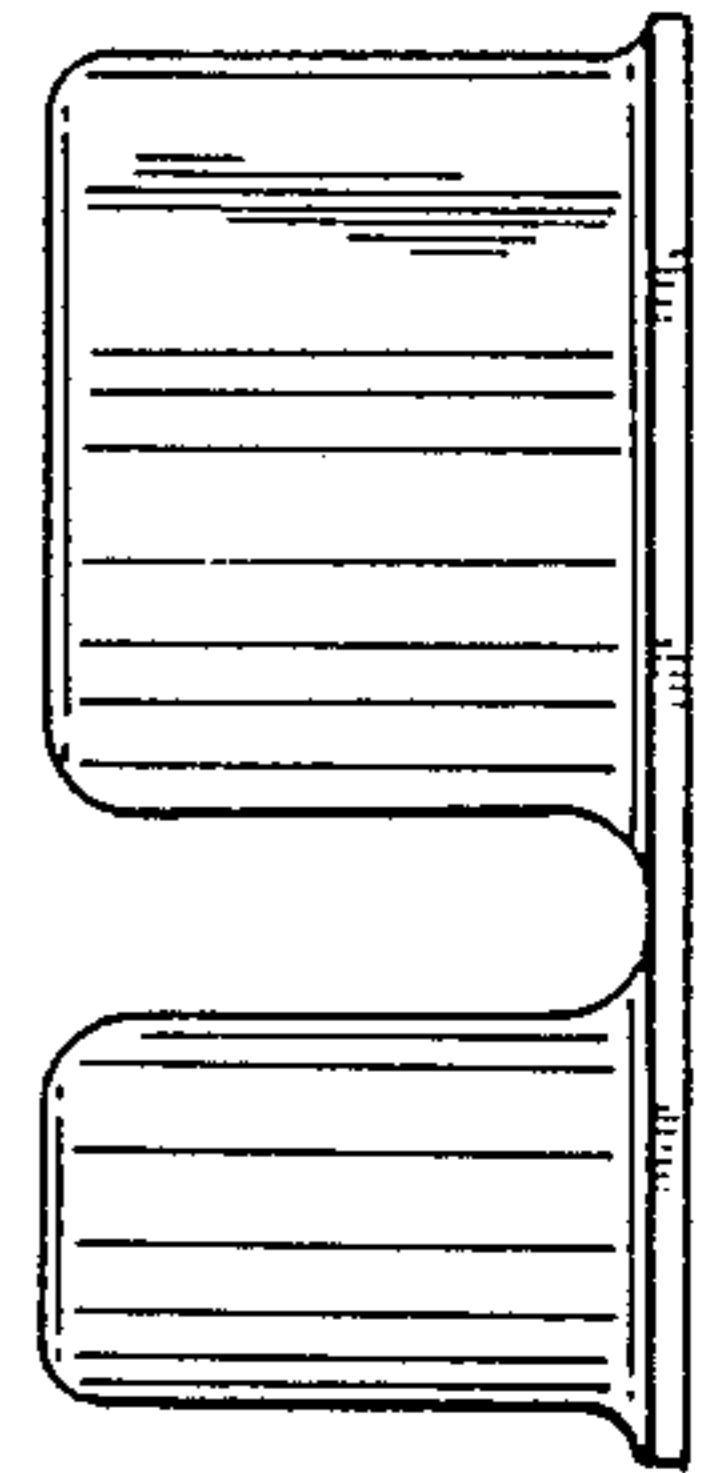


FIG. 3

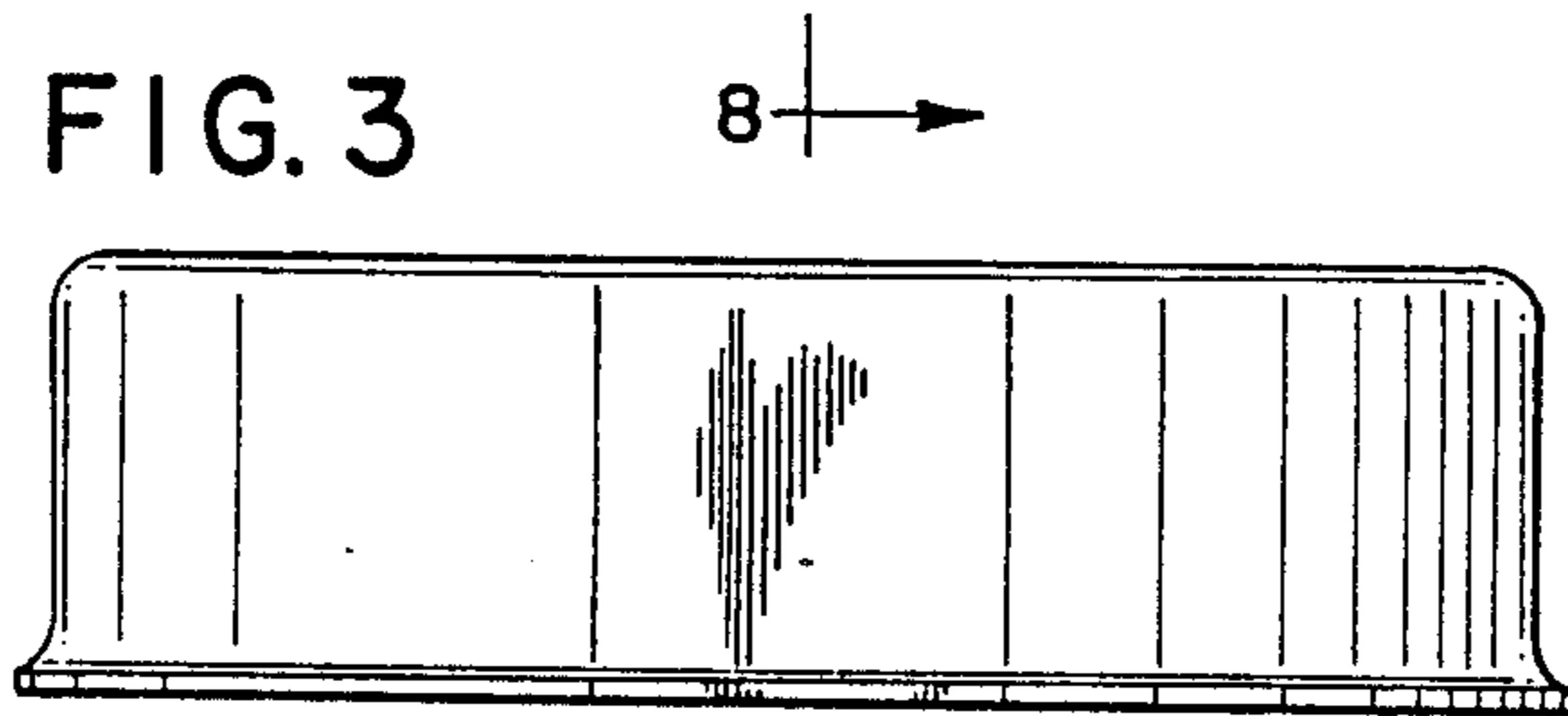


FIG. 6

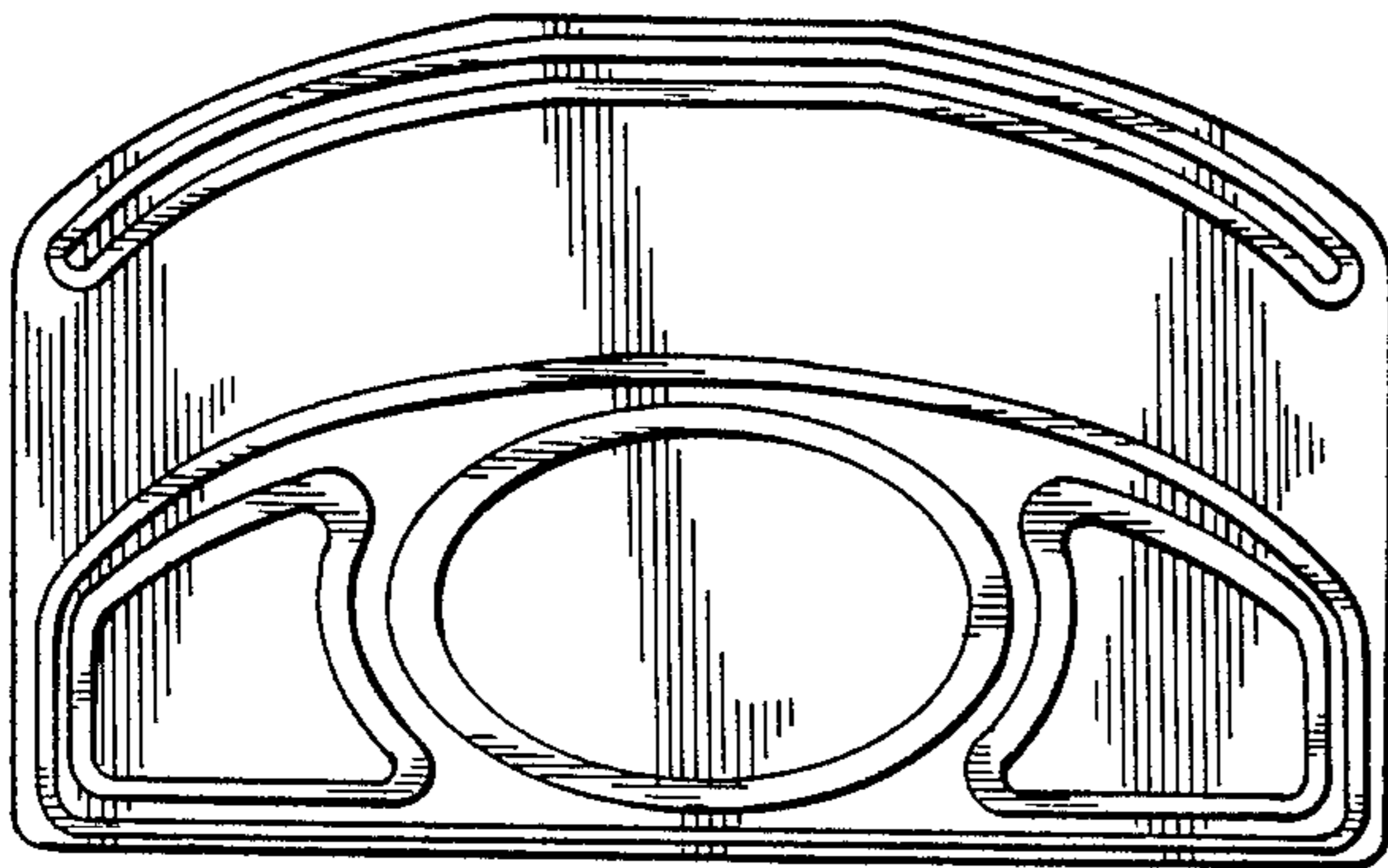


FIG. 8

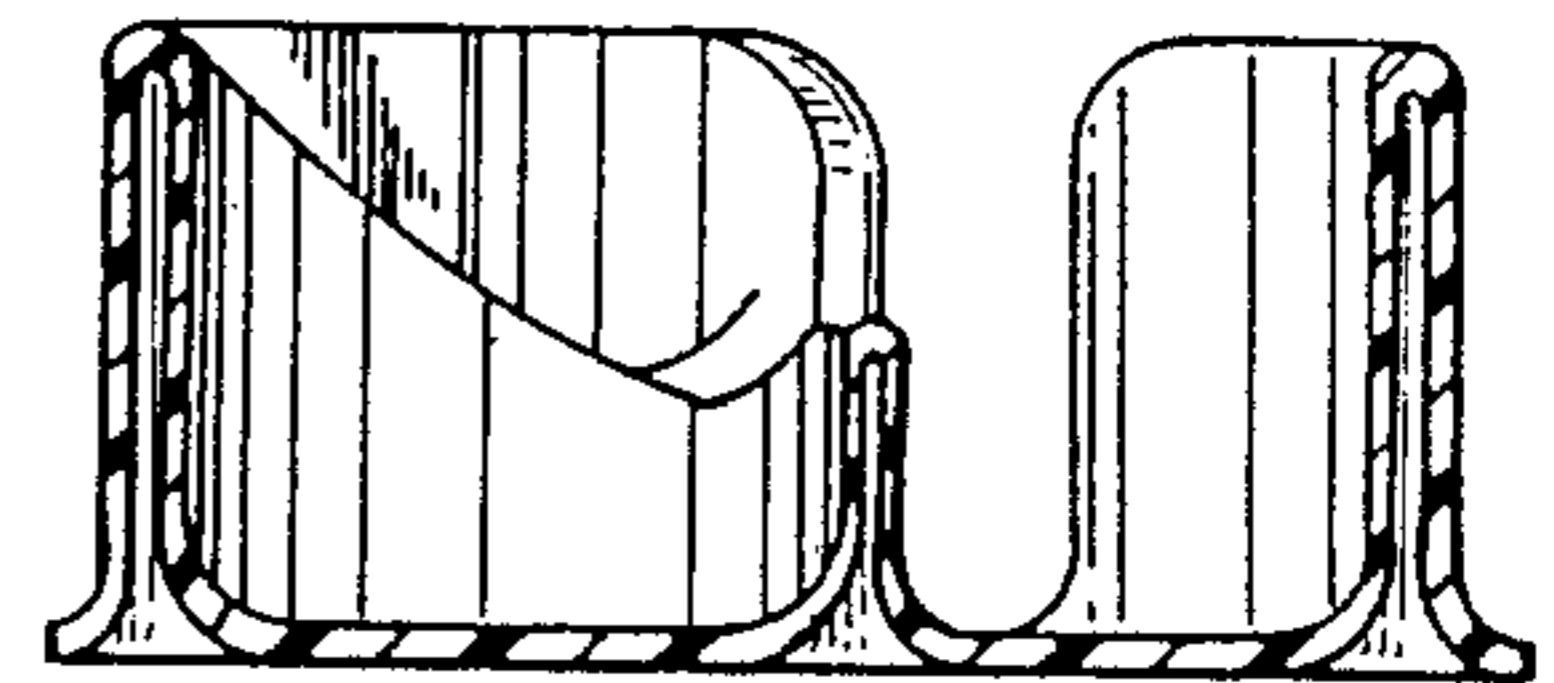


FIG. 7

