

[54] **BOUYANT BELT**

[75] **Inventor: Robert S. Jones, Indianapolis, Ind.**

[73] **Assignee: Bobber Tech, Inc., Warsaw, Ind.**

[\*\*] **Term: 14 Years**

[21] **Appl. No.: 150,721**

[22] **Filed: Feb. 1, 1988**

[52] **U.S. Cl. .... D21/238; D21/237**

[58] **Field of Search .... D21/236, 237, 238;  
114/102, 113, 109**

[56] **References Cited**

**U.S. PATENT DOCUMENTS**

- D. 179,326 11/1956 Stansell ..... D21/238
- D. 203,363 12/1965 Crawford ..... D21/238
- D. 280,005 8/1985 Jones ..... D21/238

- 3,094,725 6/1963 Martin, Jr. .... 441/113
- 3,141,180 7/1964 Pursley et al. .... 441/102

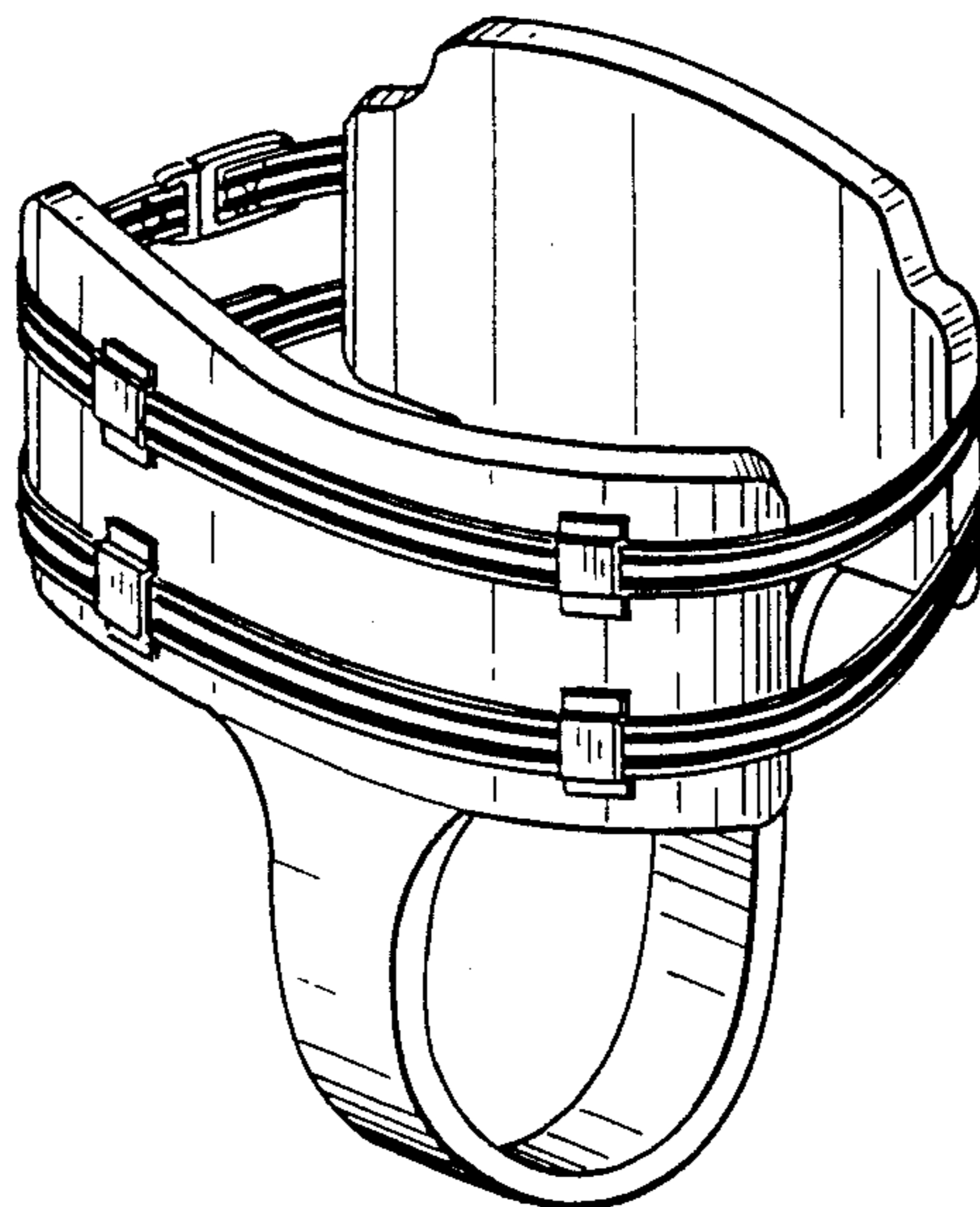
*Primary Examiner*—Wallace R. Burke  
*Assistant Examiner*—Kay H. Chin  
*Attorney, Agent, or Firm*—Barnes & Thornburg

[57] **CLAIM**

The ornamental design for a bouyant belt, as shown and described.

**DESCRIPTION**

FIG. 1 is a top, front and right side perspective view of a bouyant belt showing my new design;  
 FIG. 2 is a front elevational view thereof;  
 FIG. 3 is a right side elevational view thereof;  
 FIG. 4 is a left side elevational view thereof;  
 FIG. 5 is a top plan view thereof;  
 FIG. 6 is a bottom plan view thereof; and  
 FIG. 7 is a rear elevational view thereof.



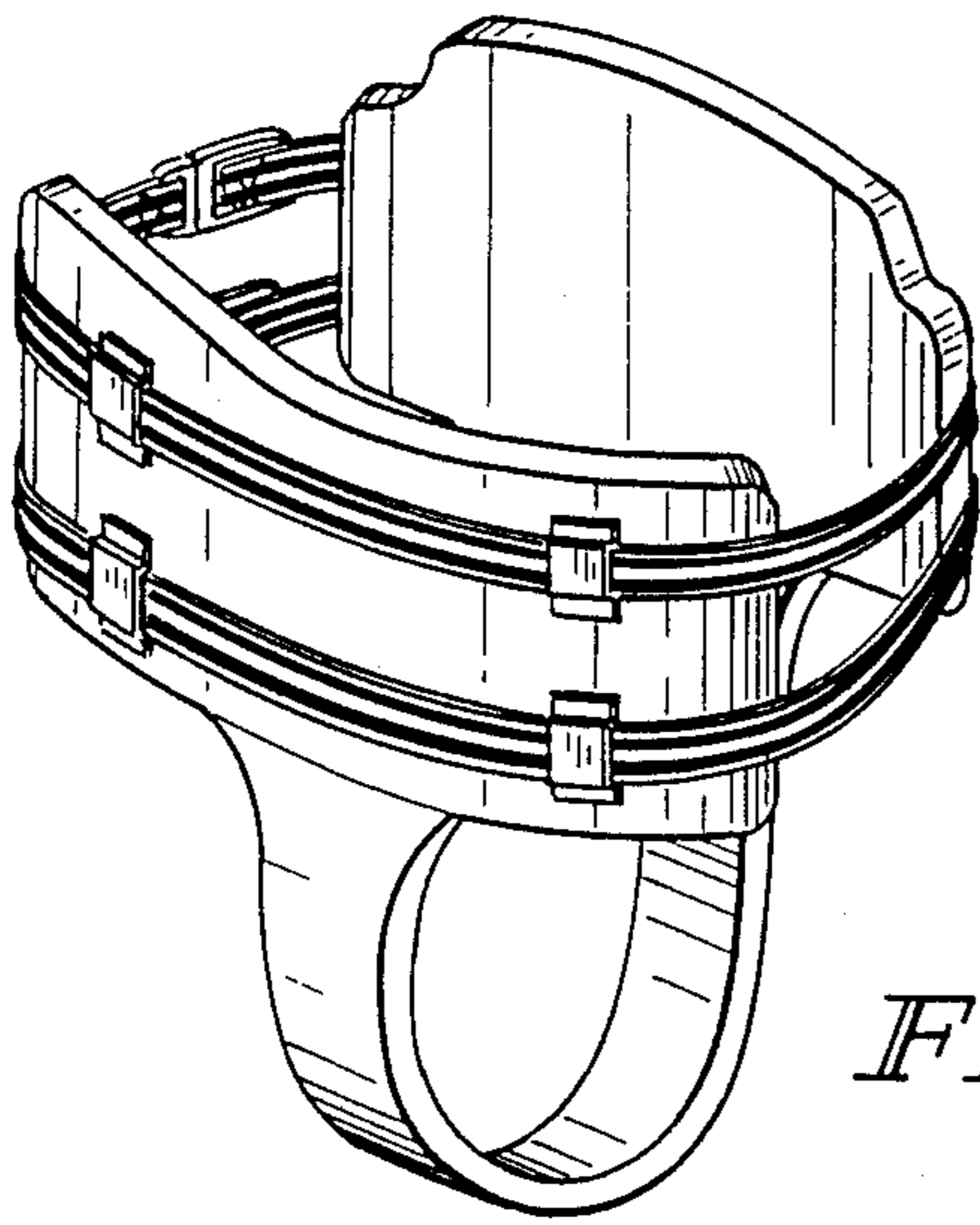


FIG. 1

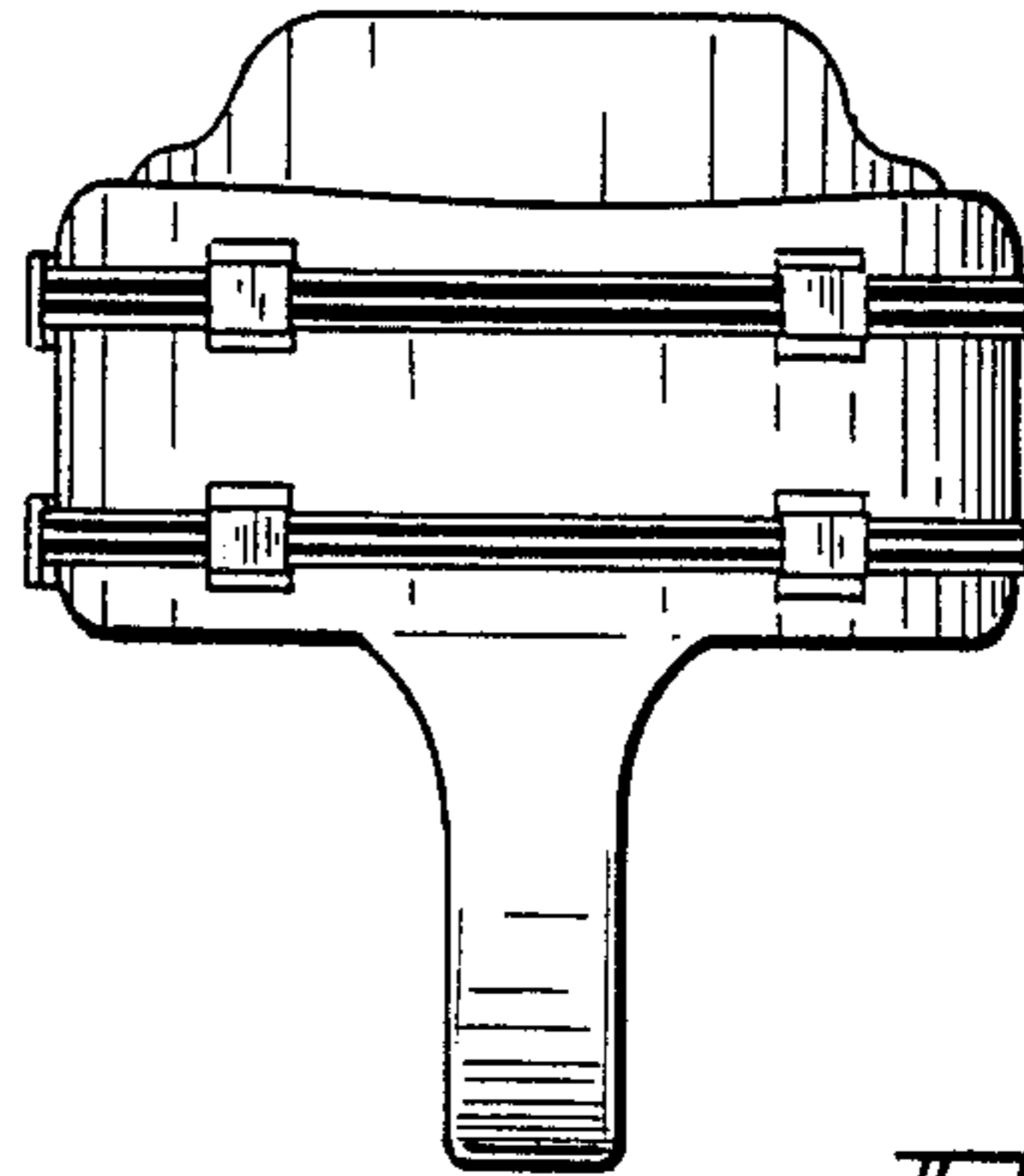


FIG. 2

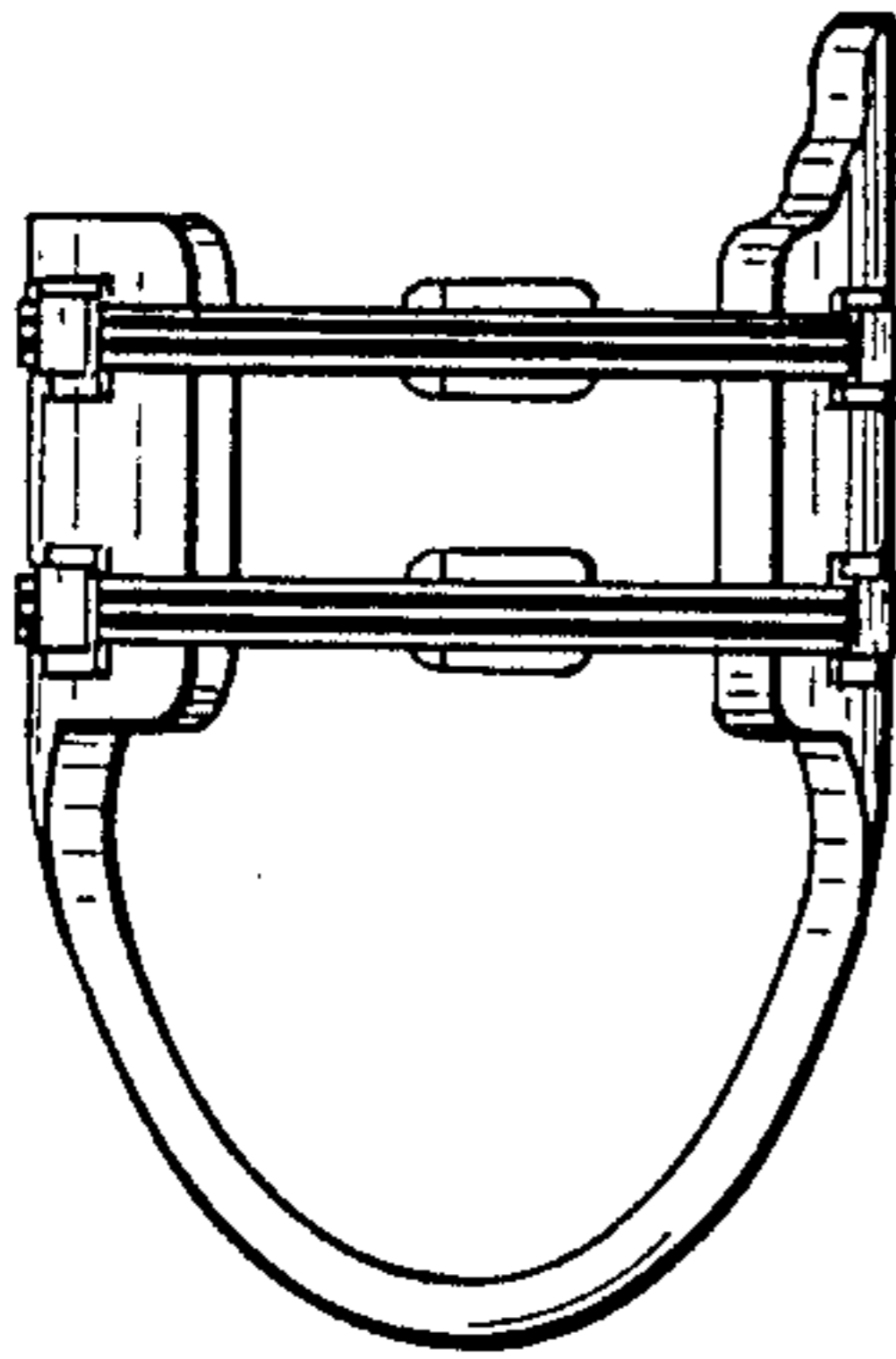


FIG. 3

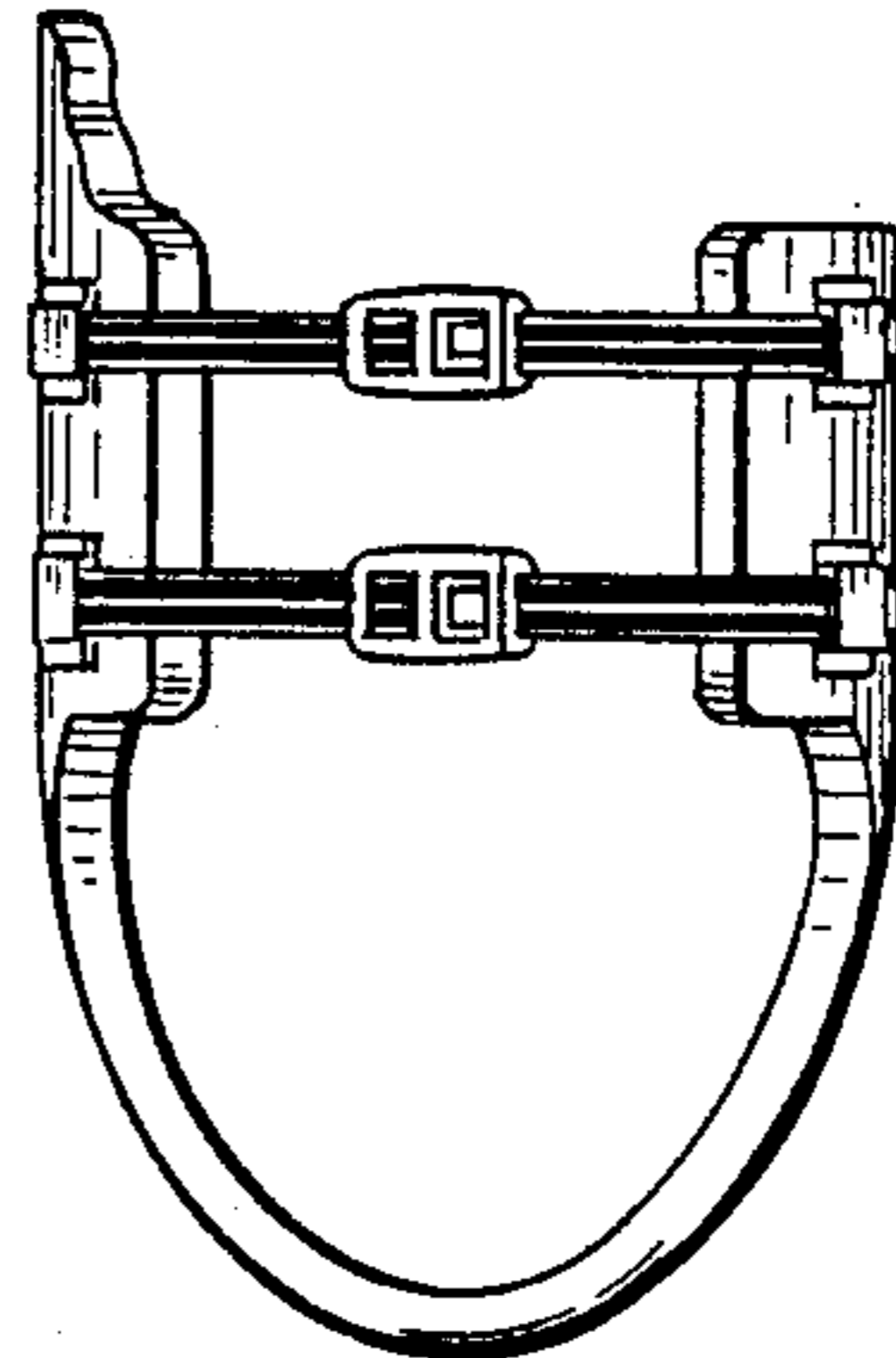


FIG. 4

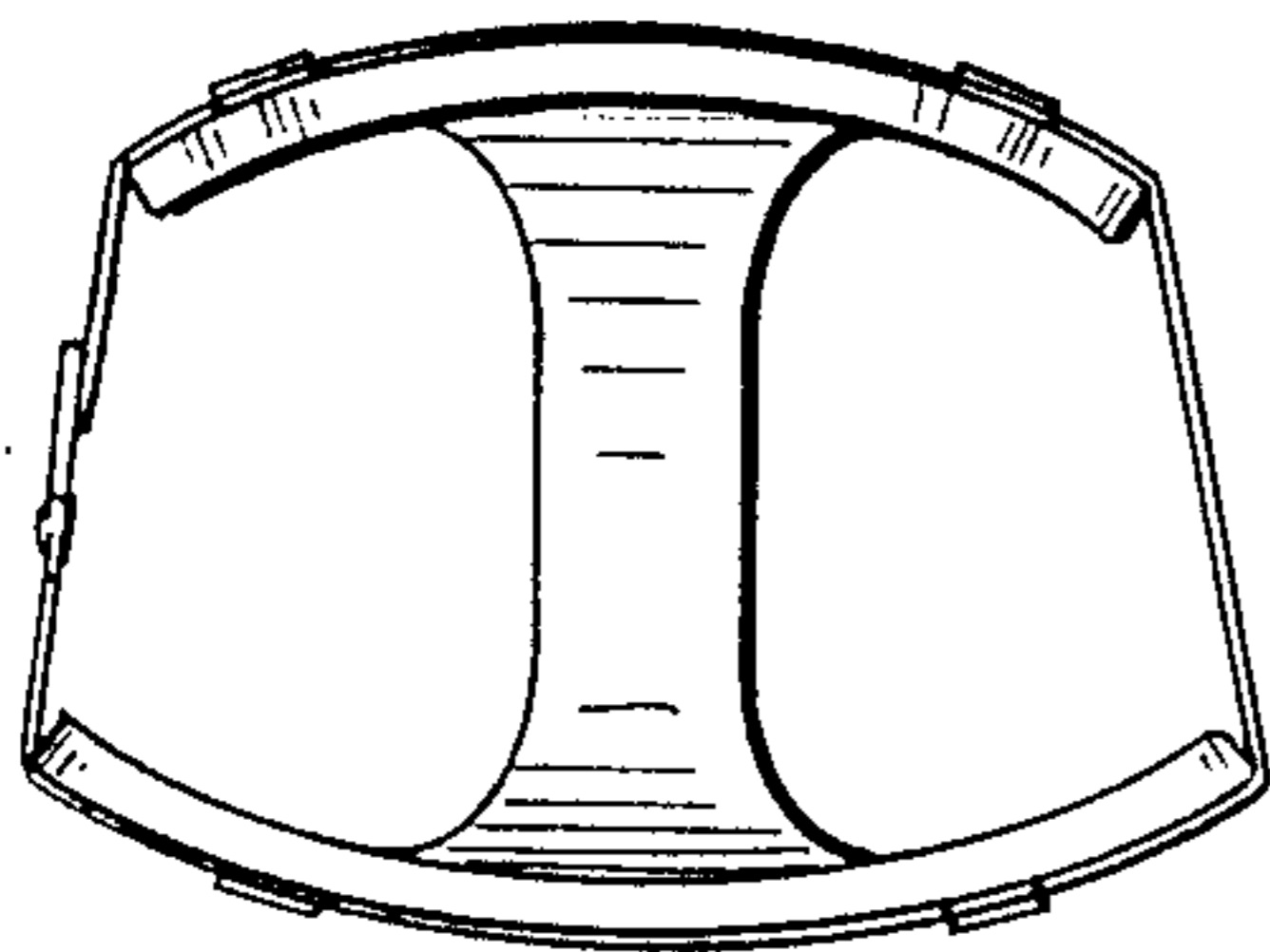


FIG. 5

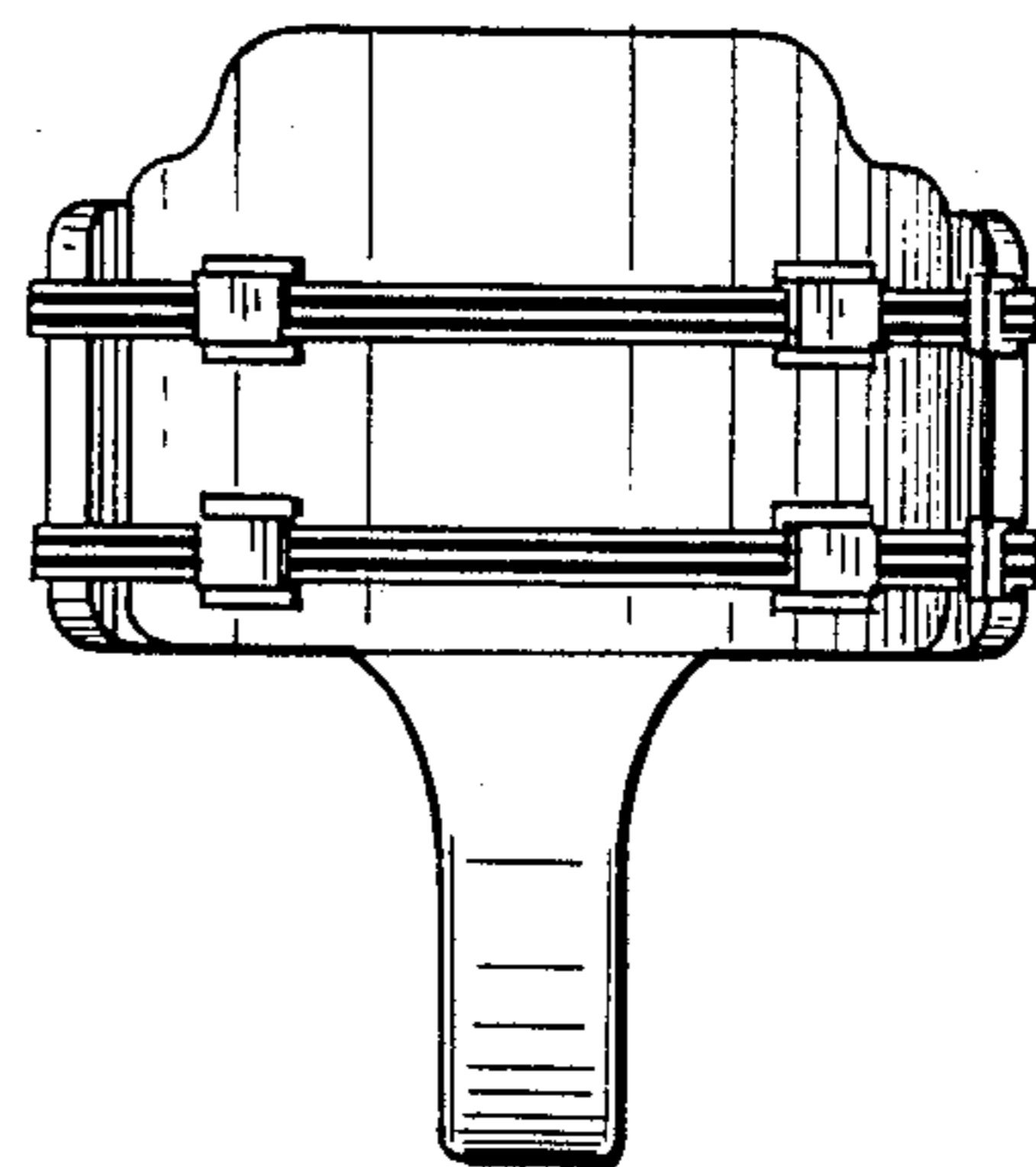


FIG. 7

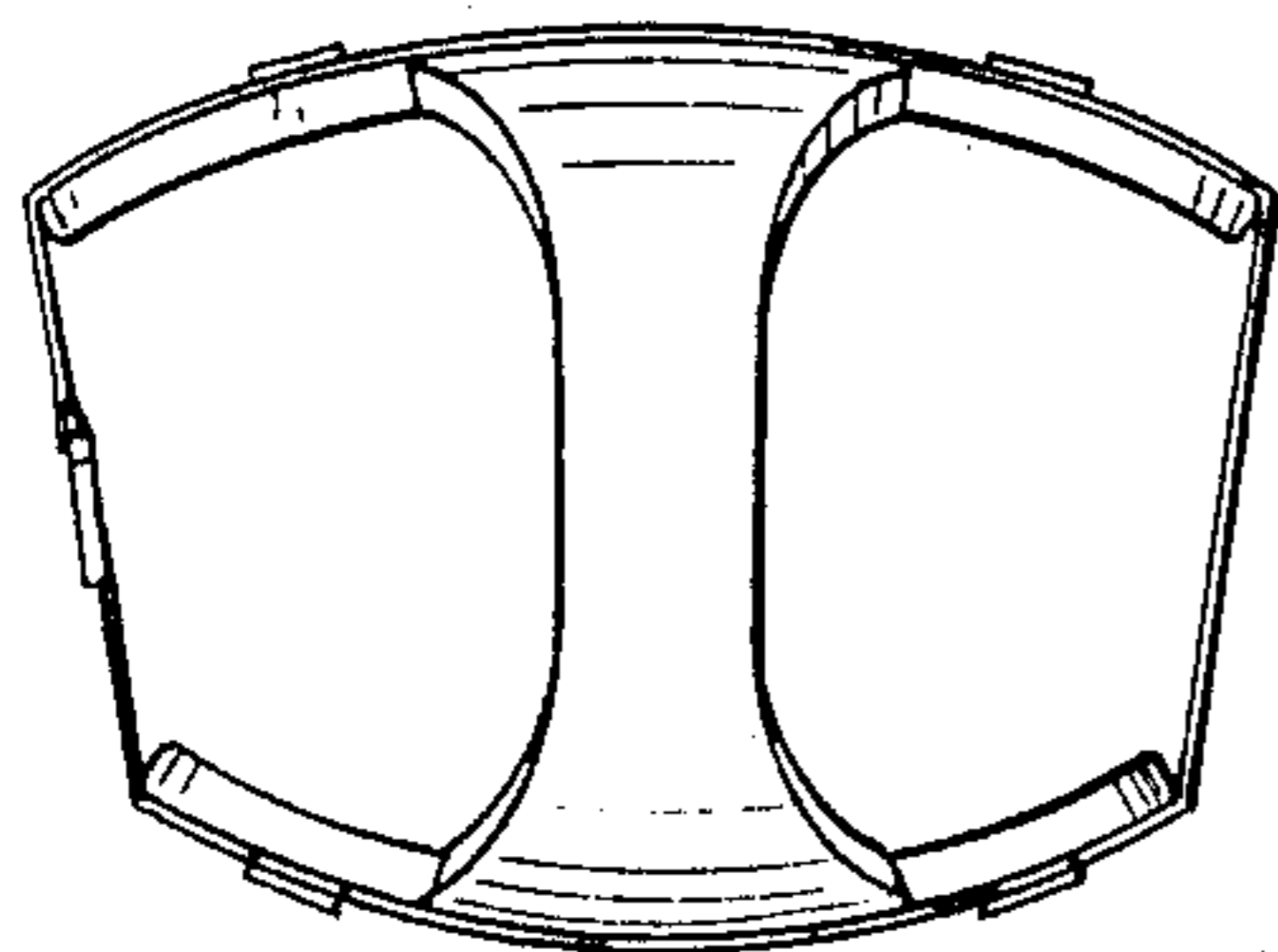


FIG. 6