

[54] GOLF PUTTER HEAD

[76] Inventors: Richard Parente, 877 Stevens Ave., Apt. 4109, Solana Beach, Calif. 92075; Richard De La Cruz, Lazy 8 Ranch Hwy. 76, Pauma Valley, Calif. 92061

[\*\*] Term: 14 Years

[21] Appl. No.: 2,504

[22] Filed: Jan. 12, 1987

[52] U.S. Cl. .... D21/219

[58] Field of Search ..... D21/214-220; 273/163 R, 167-175

[56] References Cited

U.S. PATENT DOCUMENTS

- D. 234,784 4/1975 Mills ..... D21/217
- D. 270,852 10/1983 Mahaffey et al. .... D21/217
- D. 297,445 8/1988 Shearer ..... D21/219

OTHER PUBLICATIONS

- Golf Digest, Apr. 1977, p. 34, lower left, Lynx Master Putter.
- Golf Digest, Jan. 1978, p. 29, upper left, Putter No. 02.

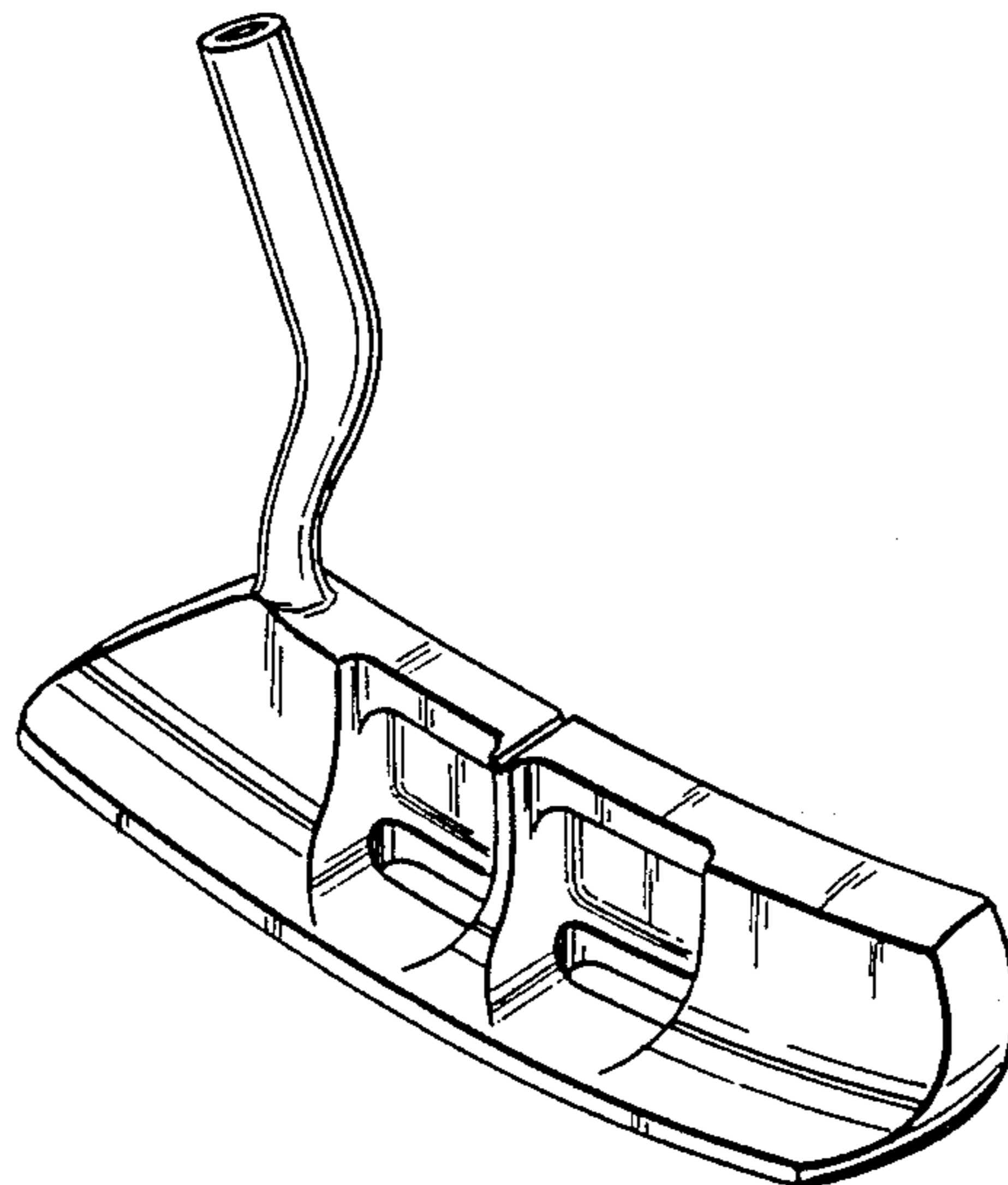
Primary Examiner—Melvin B. Feifer  
Attorney, Agent, or Firm—Duane C. Bowen

[57] CLAIM

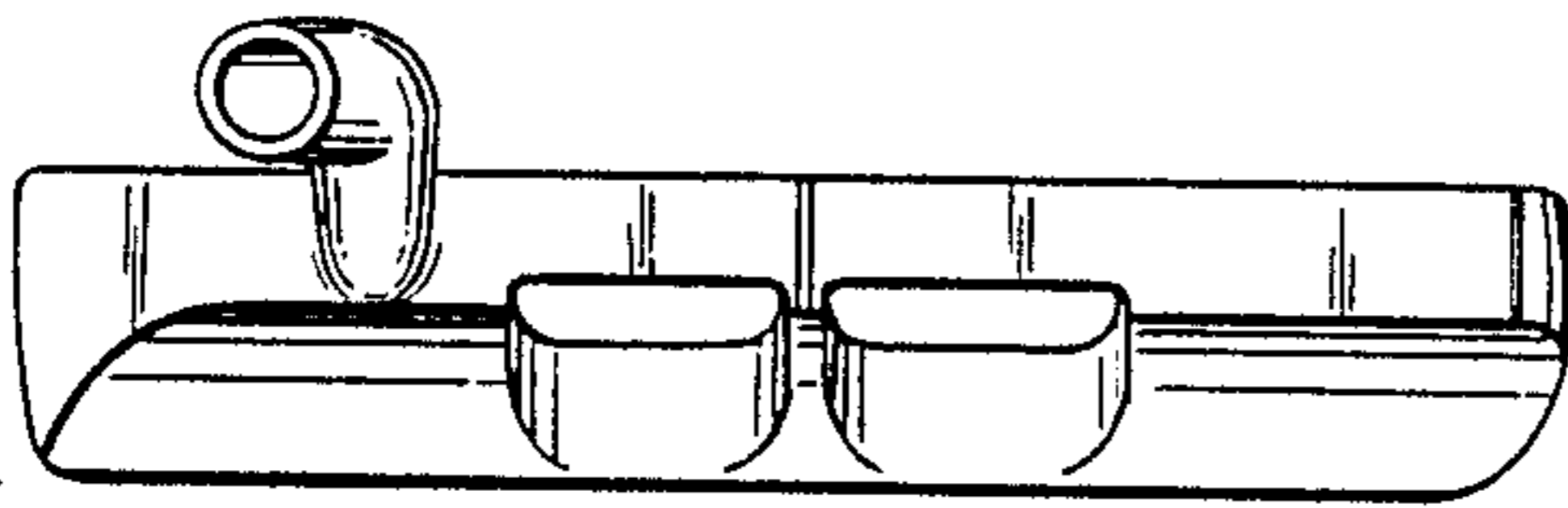
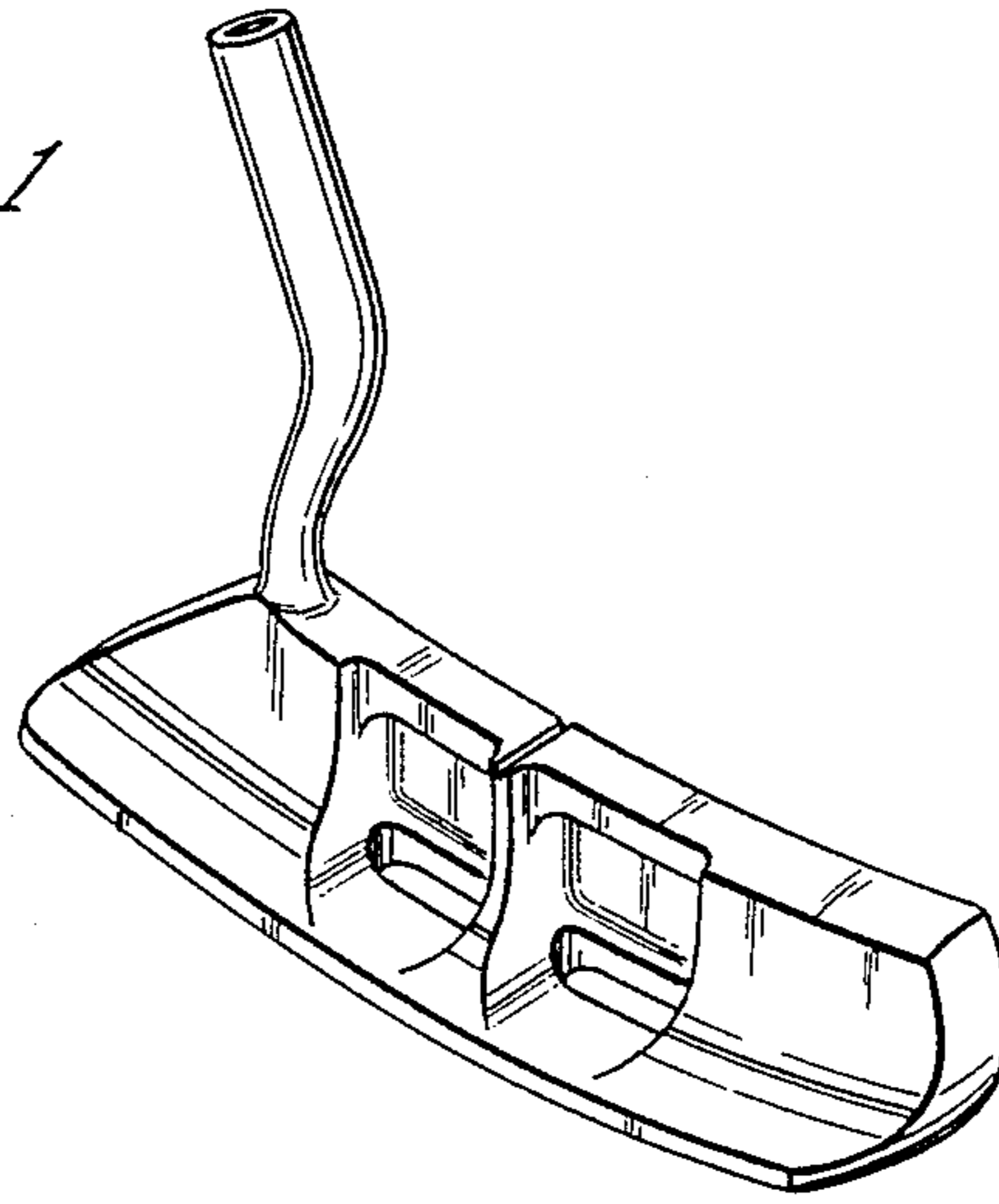
The ornamental design for golf putter head, as shown and described.

DESCRIPTION

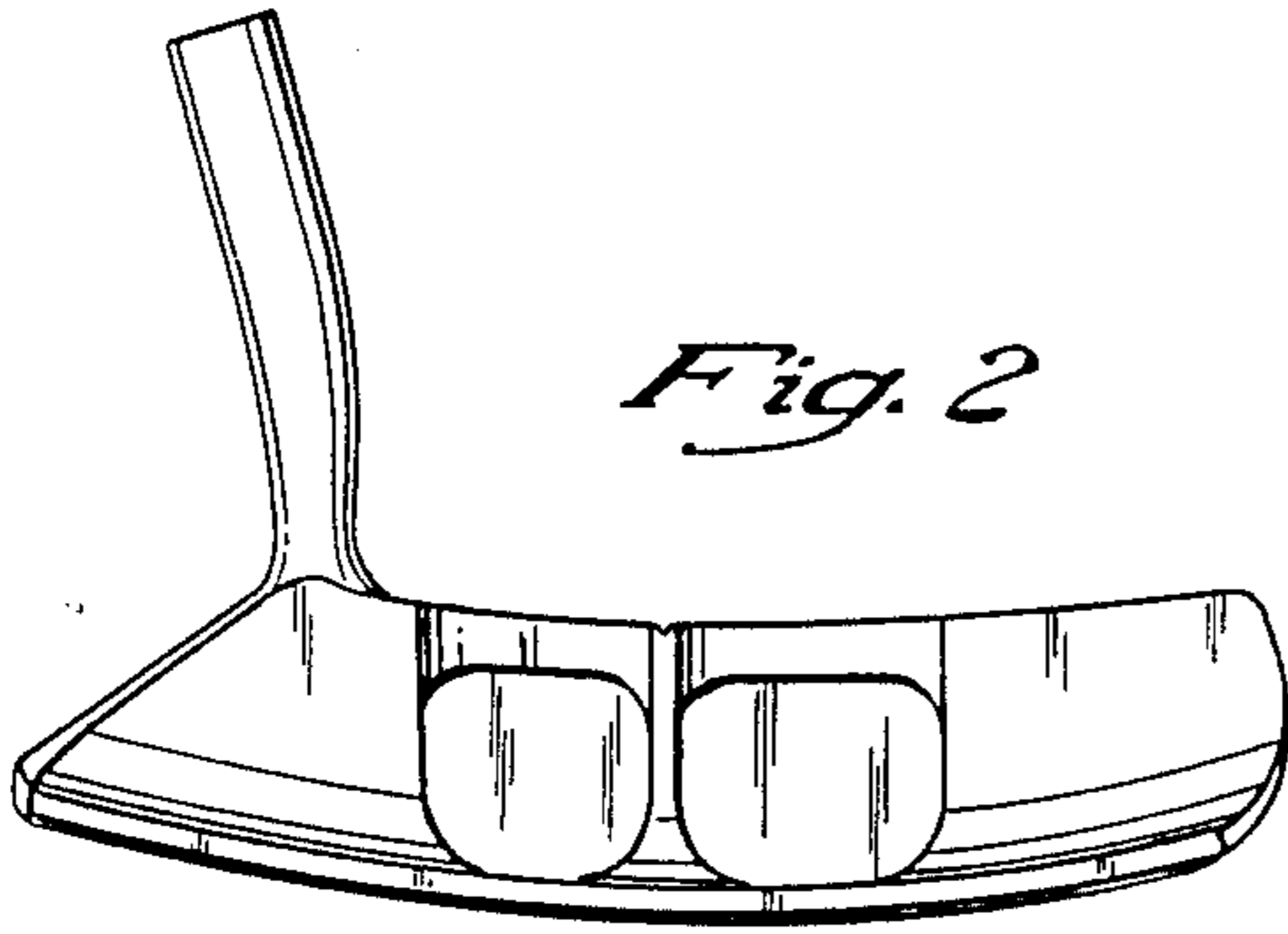
FIG. 1 is a rear view in perspective of a golf putter head embodying my new design;  
 FIG. 2 is a rear elevational view thereof;  
 FIG. 3 is a top view thereof;  
 FIG. 4 is a front elevational view thereof;  
 FIG. 5 is a bottom view thereof;  
 FIG. 6 is an elevational view from one end thereof;  
 FIG. 7 is an elevational view from the other end thereof;  
 FIG. 8 is a rear view in perspective view of a modified form of my new design;  
 FIG. 9 is a rear elevational view thereof;  
 FIG. 10 is a top view thereof;  
 FIG. 11 is a front elevational view thereof;  
 FIG. 12 is a bottom view thereof;  
 FIG. 13 is an elevational view from one end thereof;  
 FIG. 14 is an elevational view from the other end thereof.



*Fig. 1*

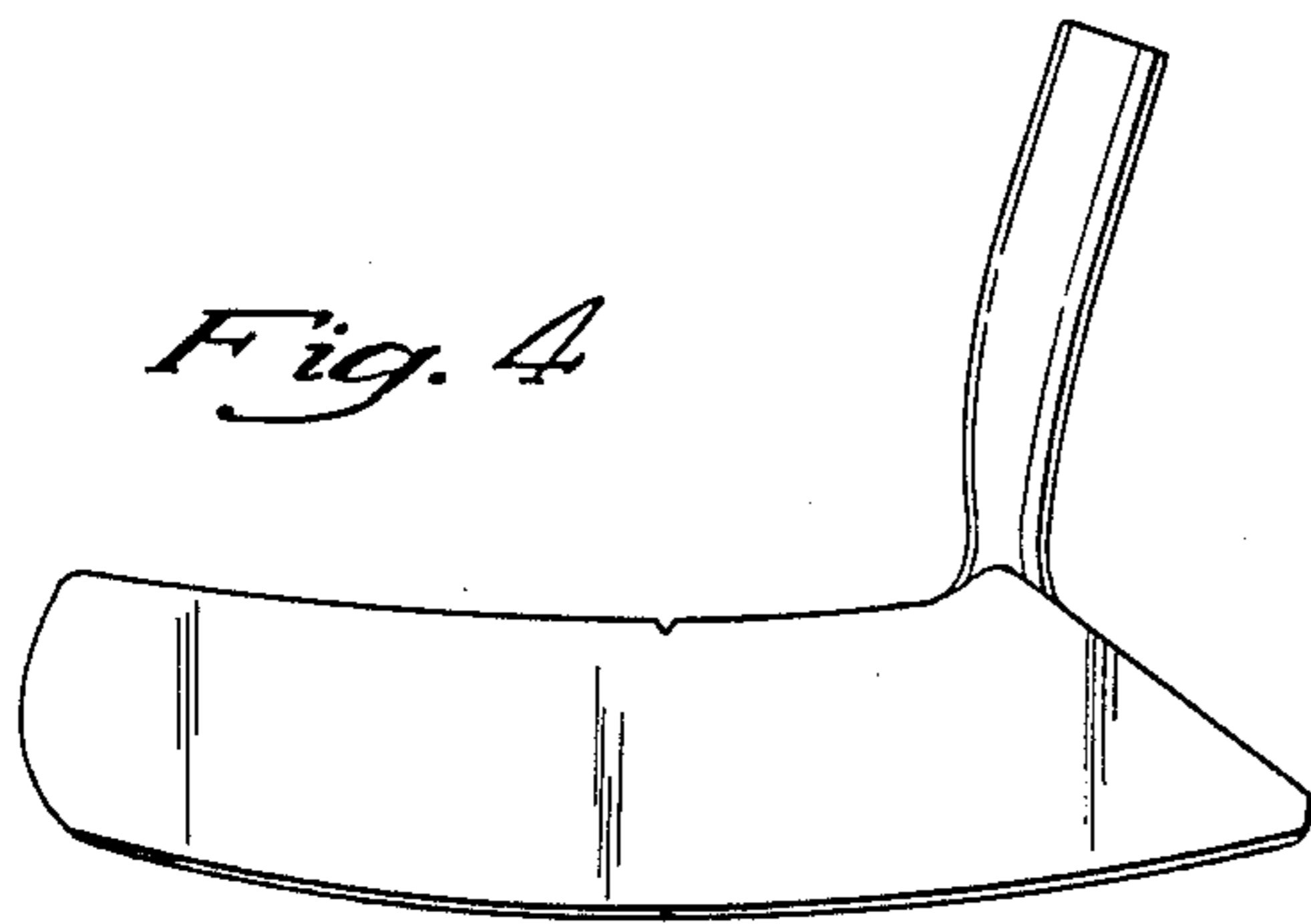
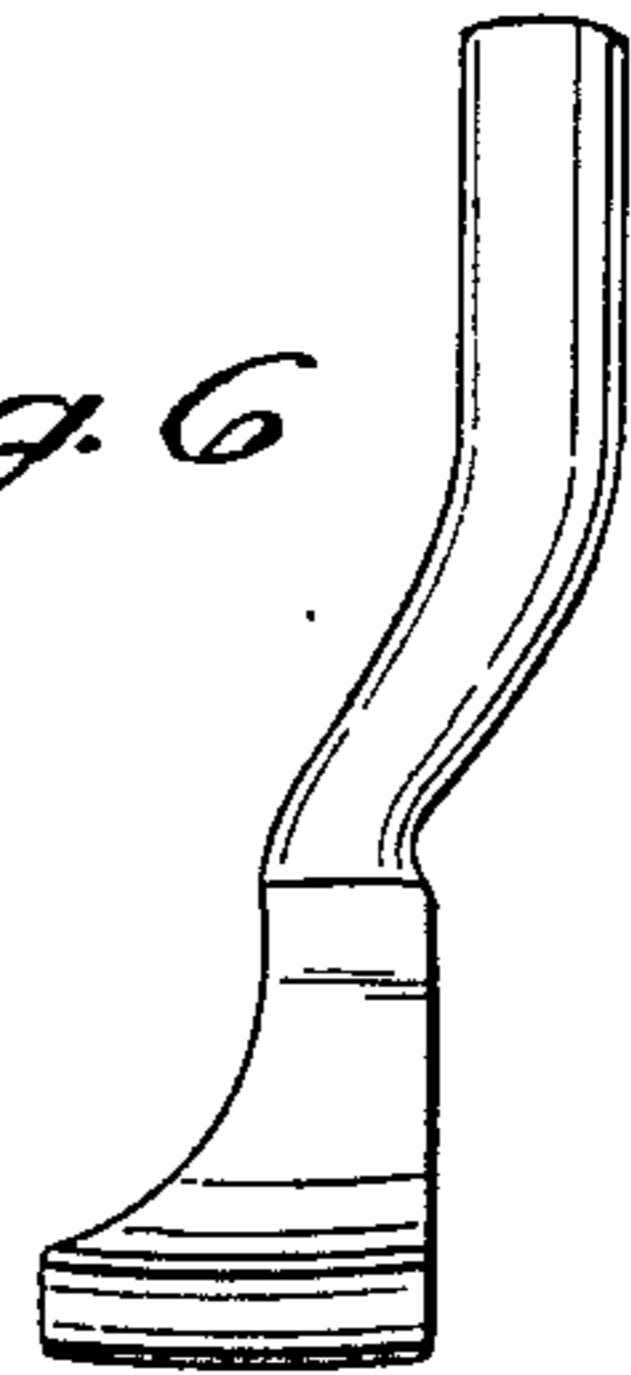


*Fig. 3*

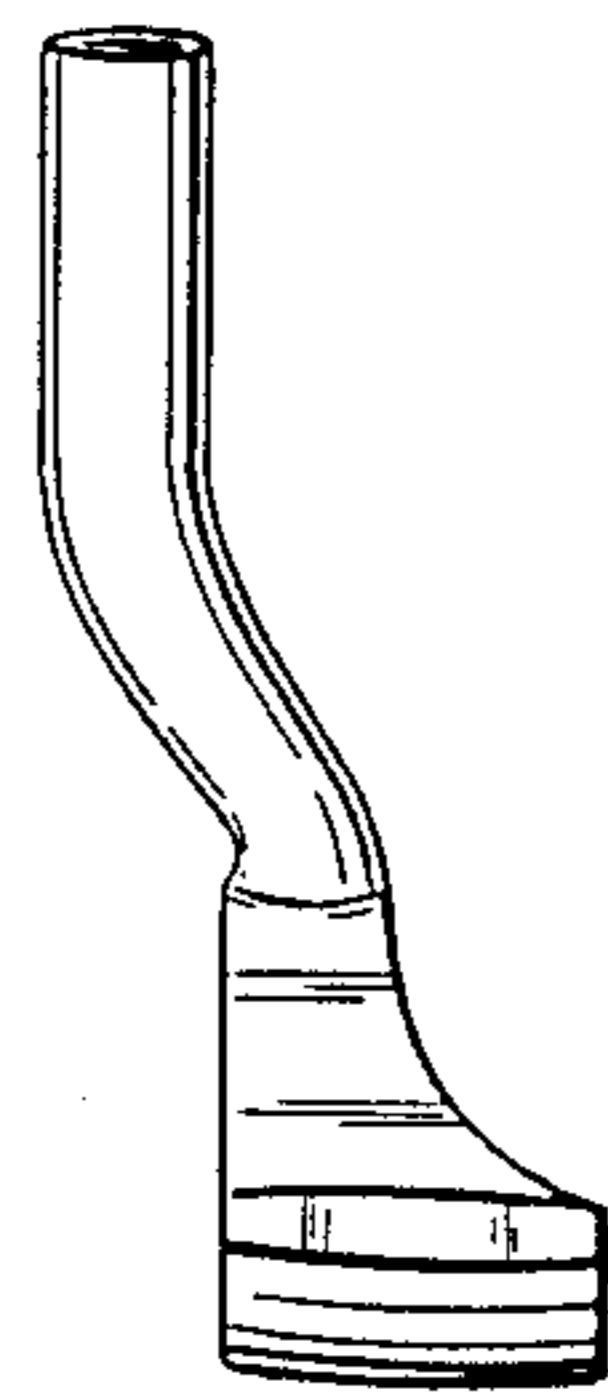


*Fig. 2*

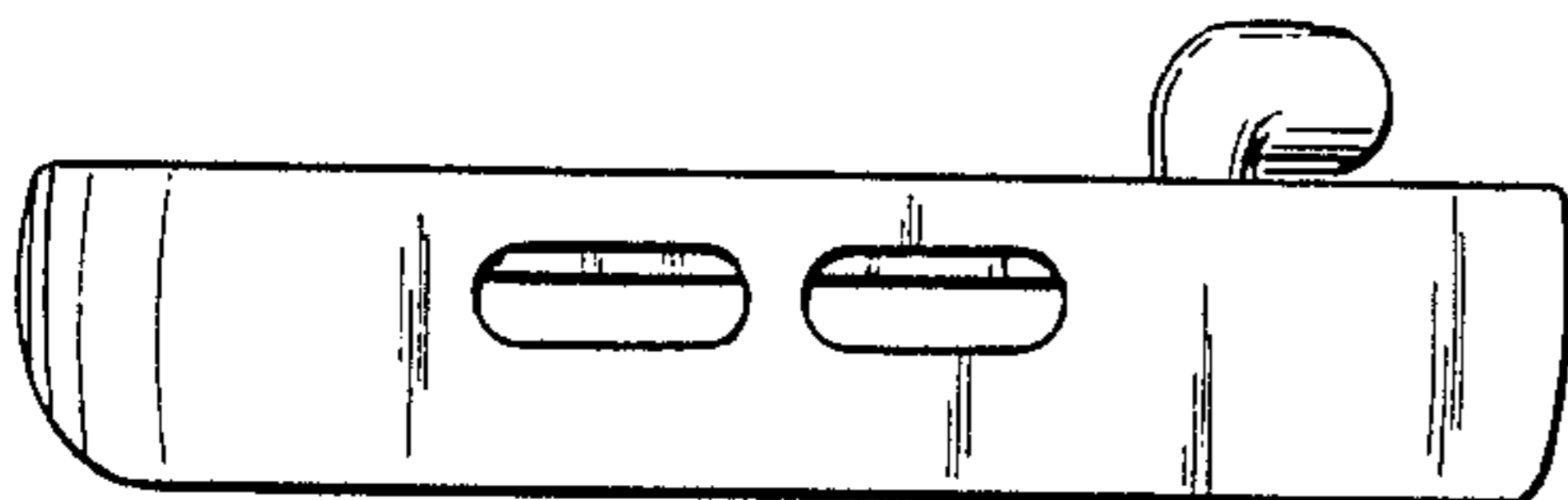
*Fig. 6*



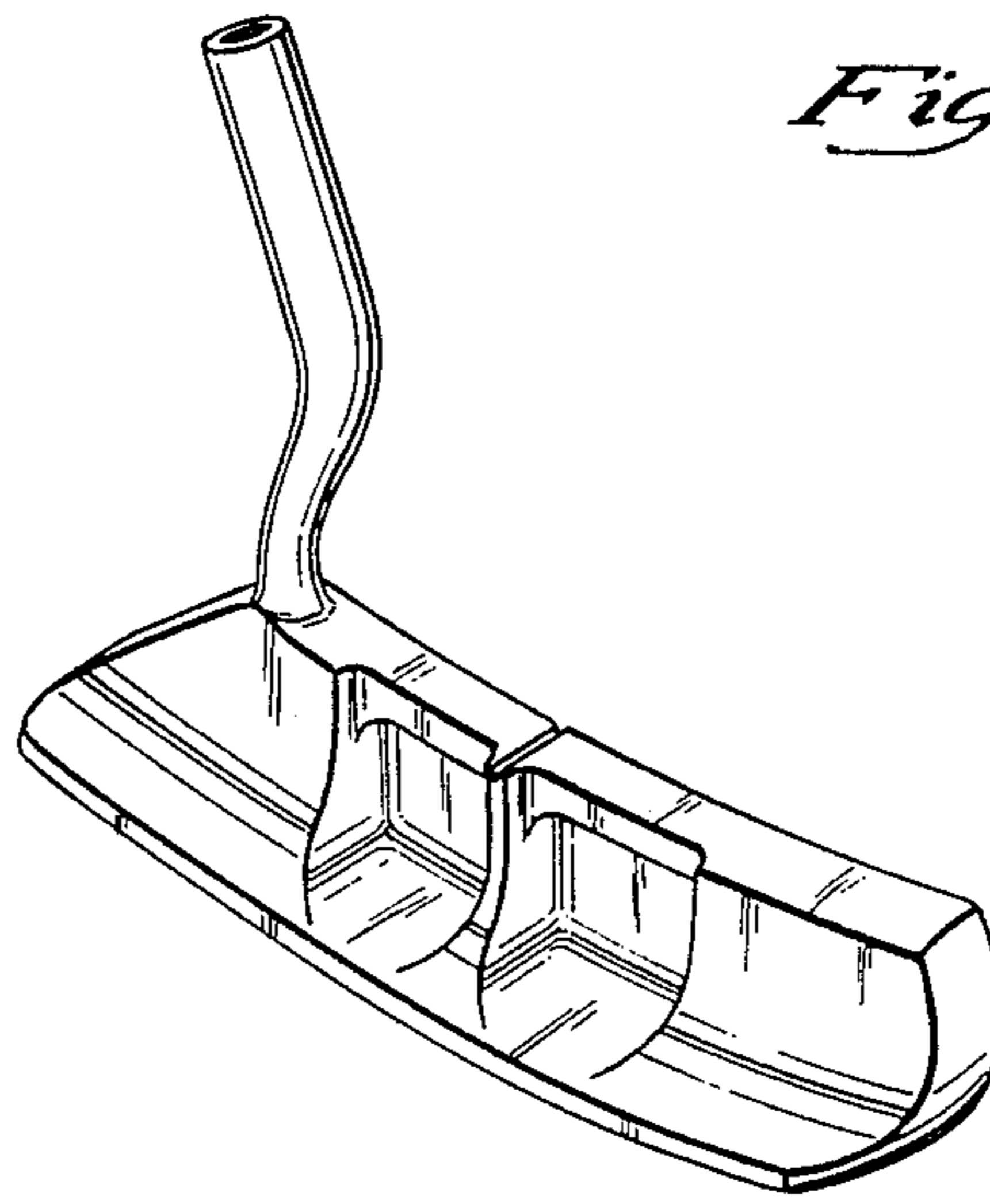
*Fig. 4*



*Fig. 7*

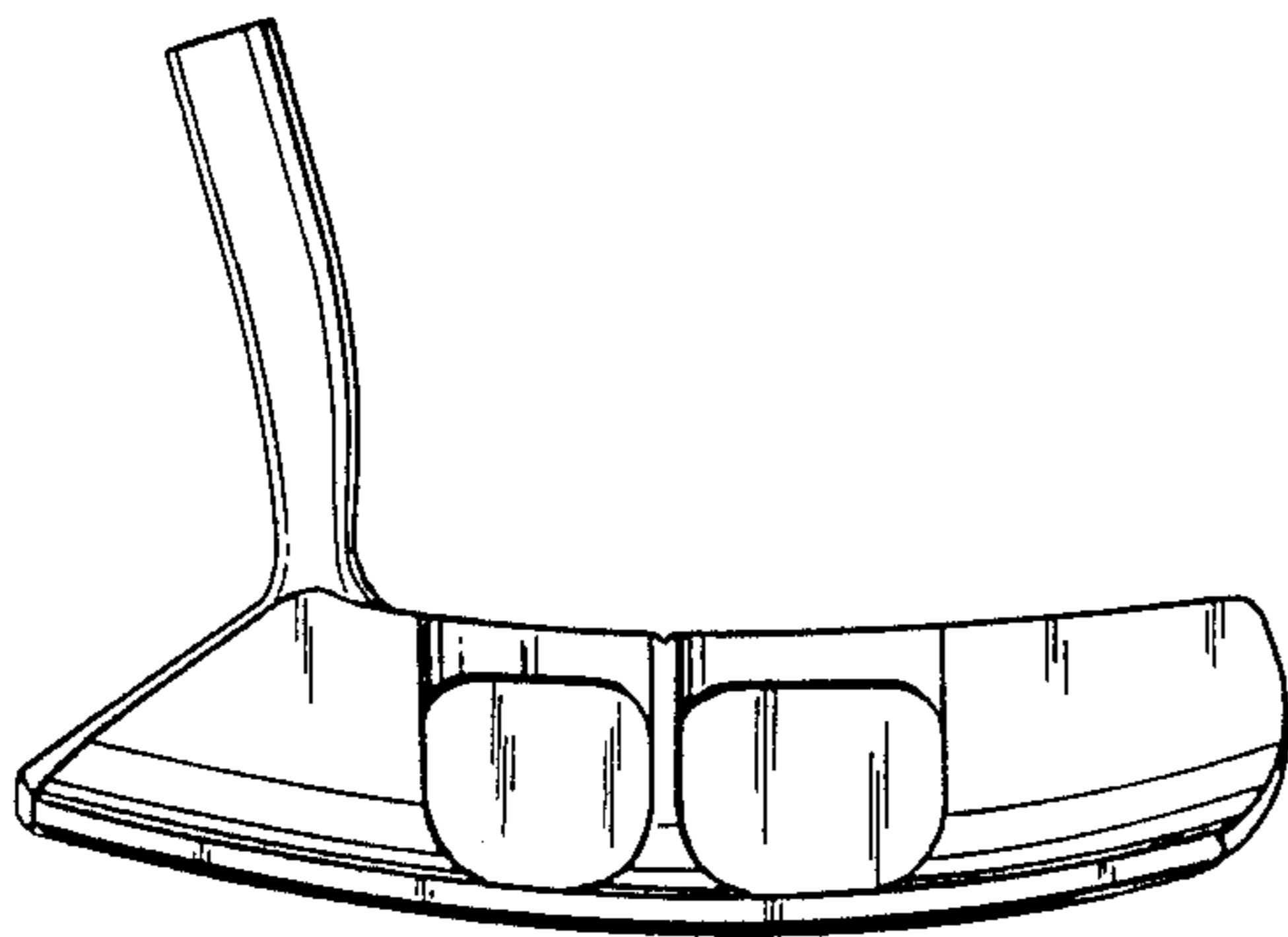
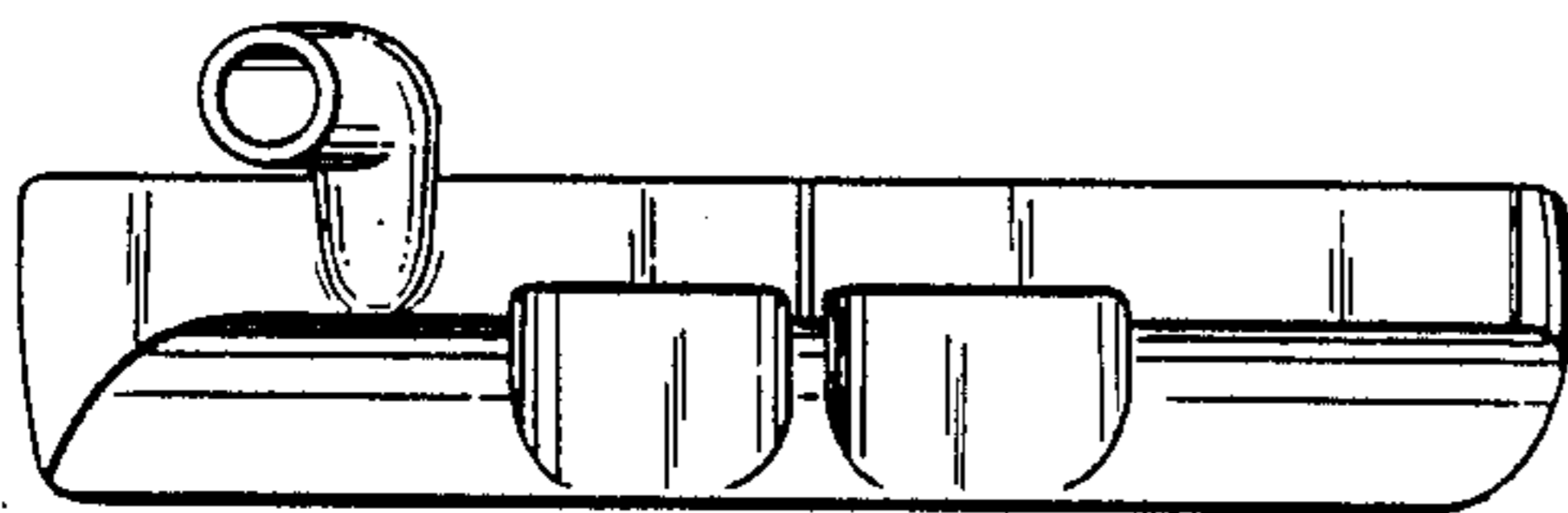


*Fig. 5*



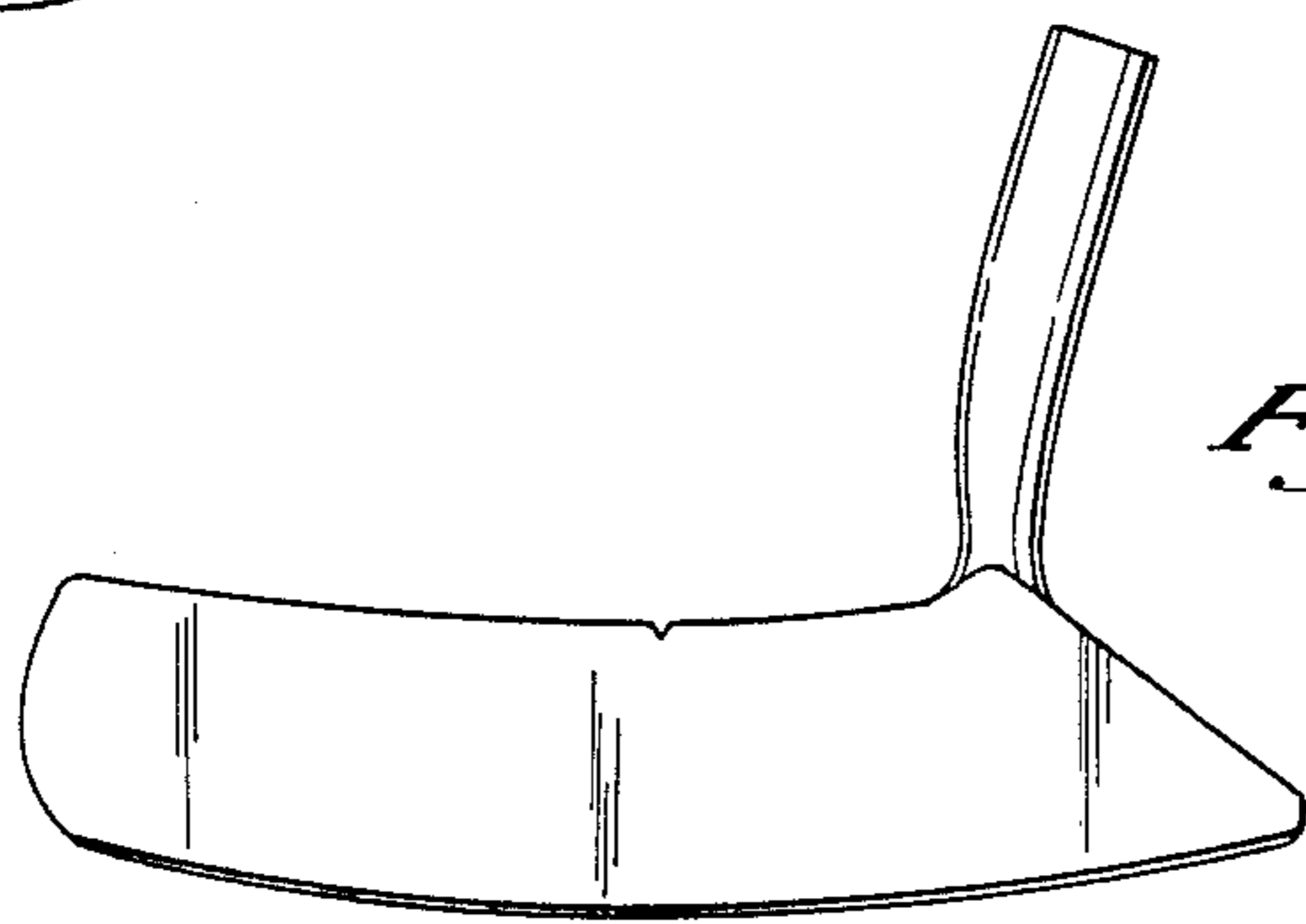
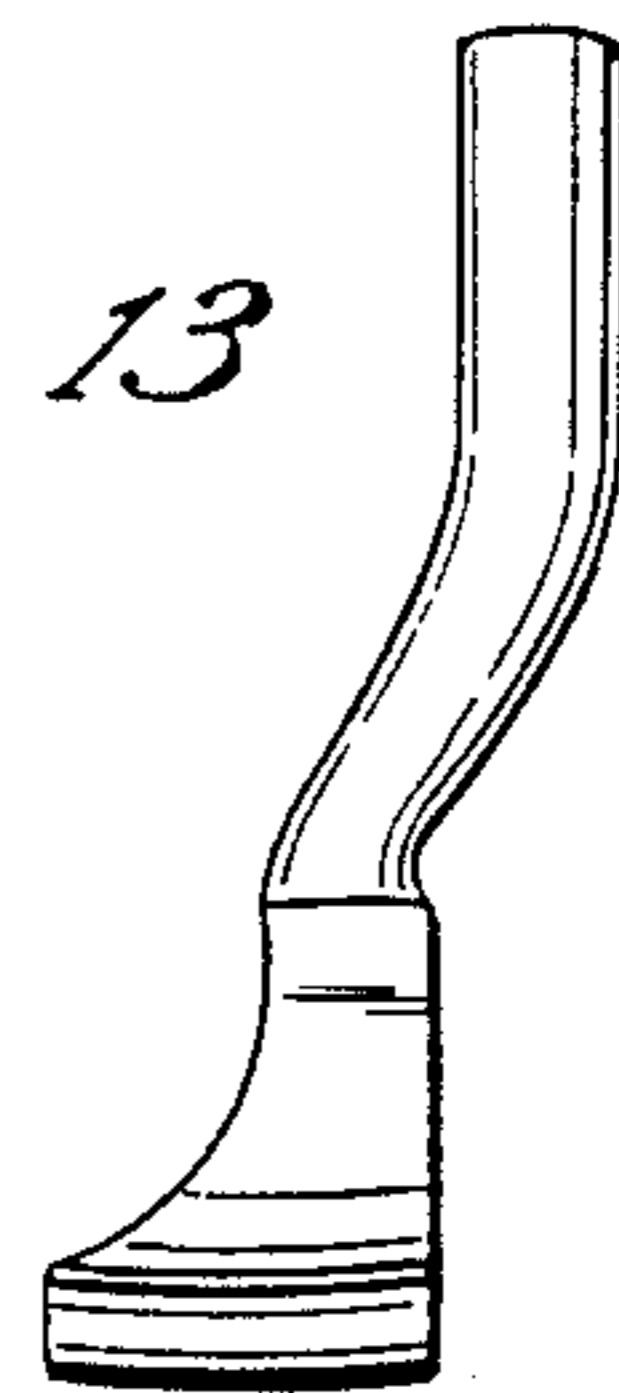
*Fig. 8*

*Fig. 10*

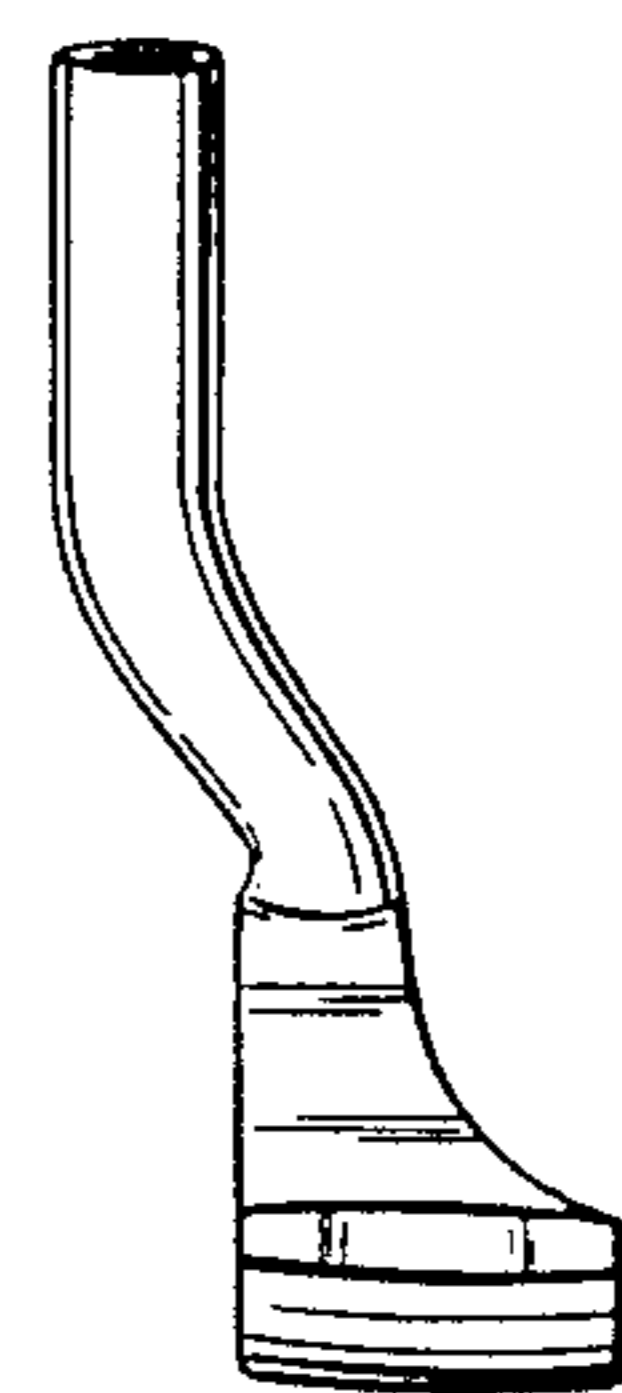


*Fig. 9*

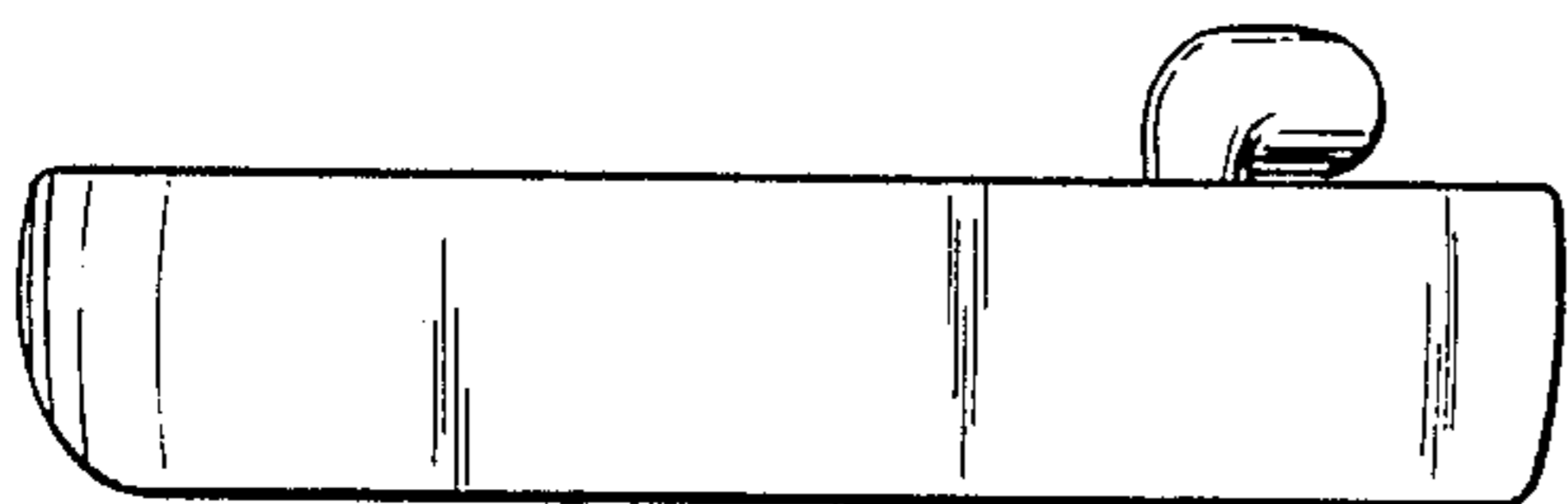
*Fig. 13*



*Fig. 11*



*Fig. 14*



*Fig. 12*