

[54] UPRIGHT HOOP UNIT FOR A LAWN GOLF GAME

[76] Inventor: Hal W. Cooper, 1111 Trisha Ave., Des Moines, Iowa 50313

[**] Term: 14 Years

[21] Appl. No.: 78,273

[22] Filed: Jul. 27, 1987

[52] U.S. Cl. D21/202; D21/5

[58] Field of Search D21/4, 7, 200-202; 273/402, 127 B, 56, 176 AA; D6/546

[56] References Cited

U.S. PATENT DOCUMENTS

- D. 243,782 3/1977 Hickey D21/200
- 3,052,226 9/1962 Woll D21/200

4,111,422 9/1978 Burcenski 273/402

Primary Examiner—A. Hugo Word

Assistant Examiner—R. T. Seifert

Attorney, Agent, or Firm—Rudolph L. Lowell

[57] CLAIM

The ornamental design for an upright hoop unit for a lawn golf game, as shown.

DESCRIPTION

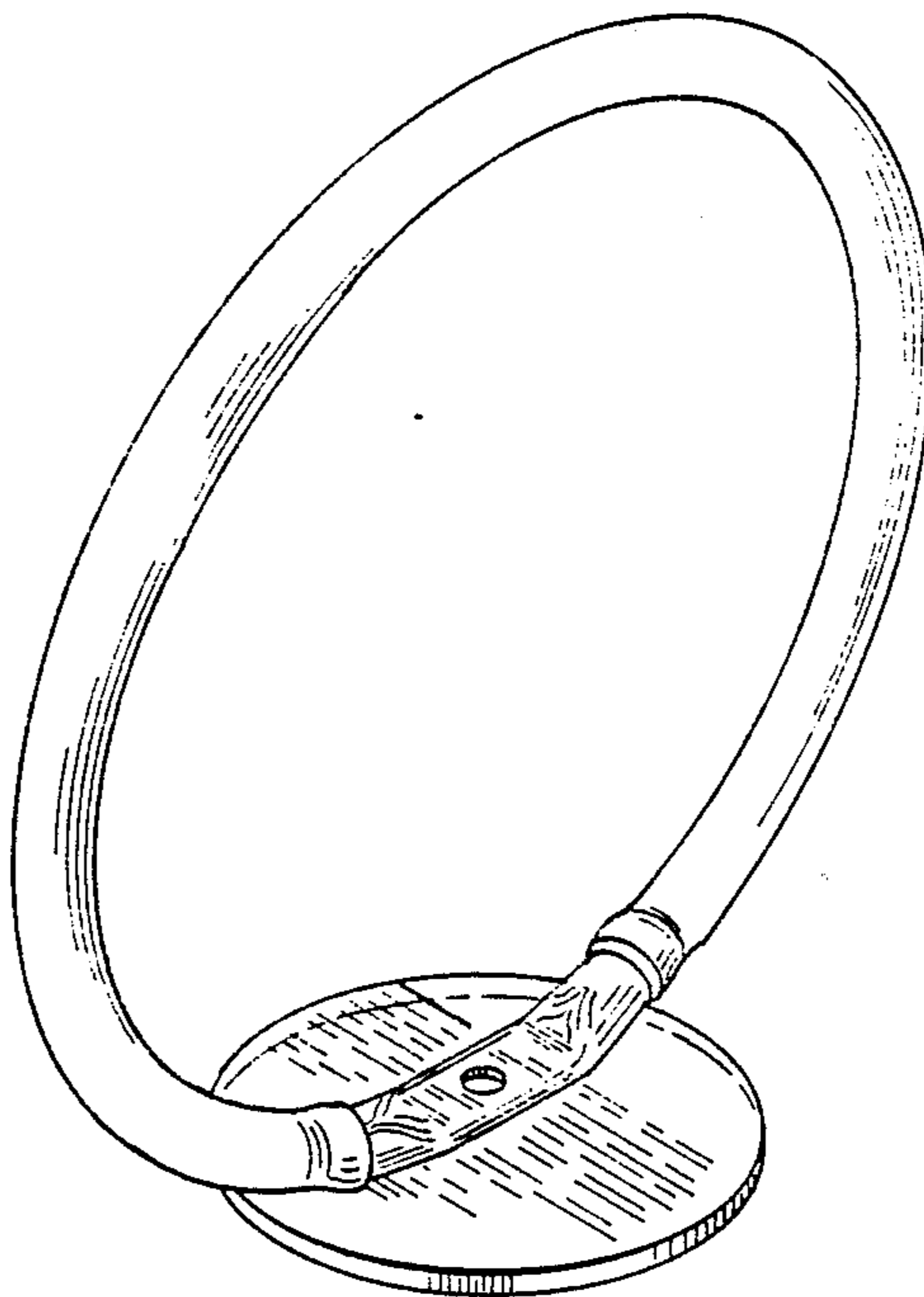
FIG. 1 is a top perspective view of an upright hoop unit for a golf game showing my new design;

FIG. 2 is a side elevational view thereof with a hole marker shown in broken lines for illustrative purposes only;

FIG. 3 is a top plan view thereof;

FIG. 4 is a bottom plan view thereof; and

FIG. 5 is an end elevational view thereof.



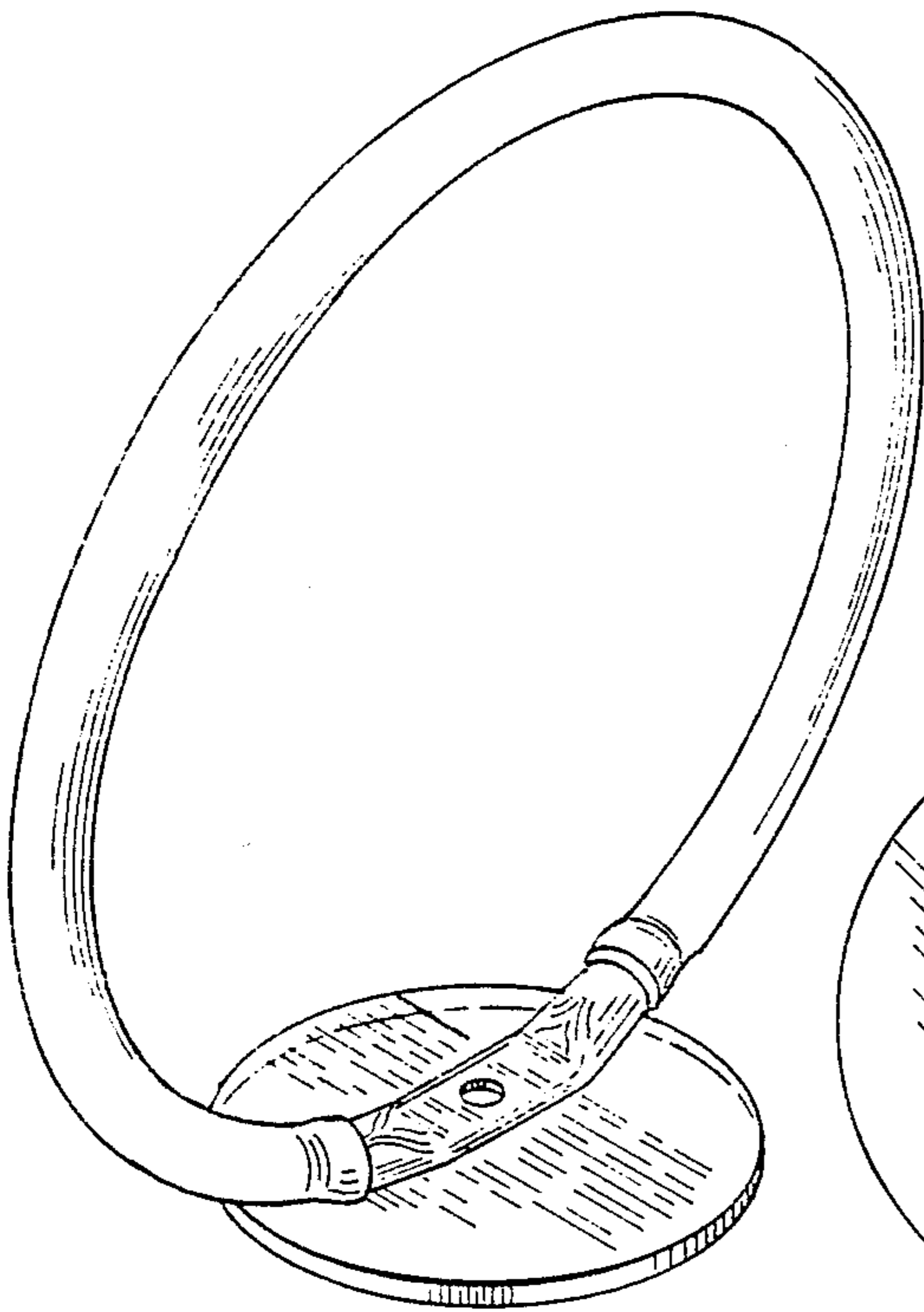


FIG. 1

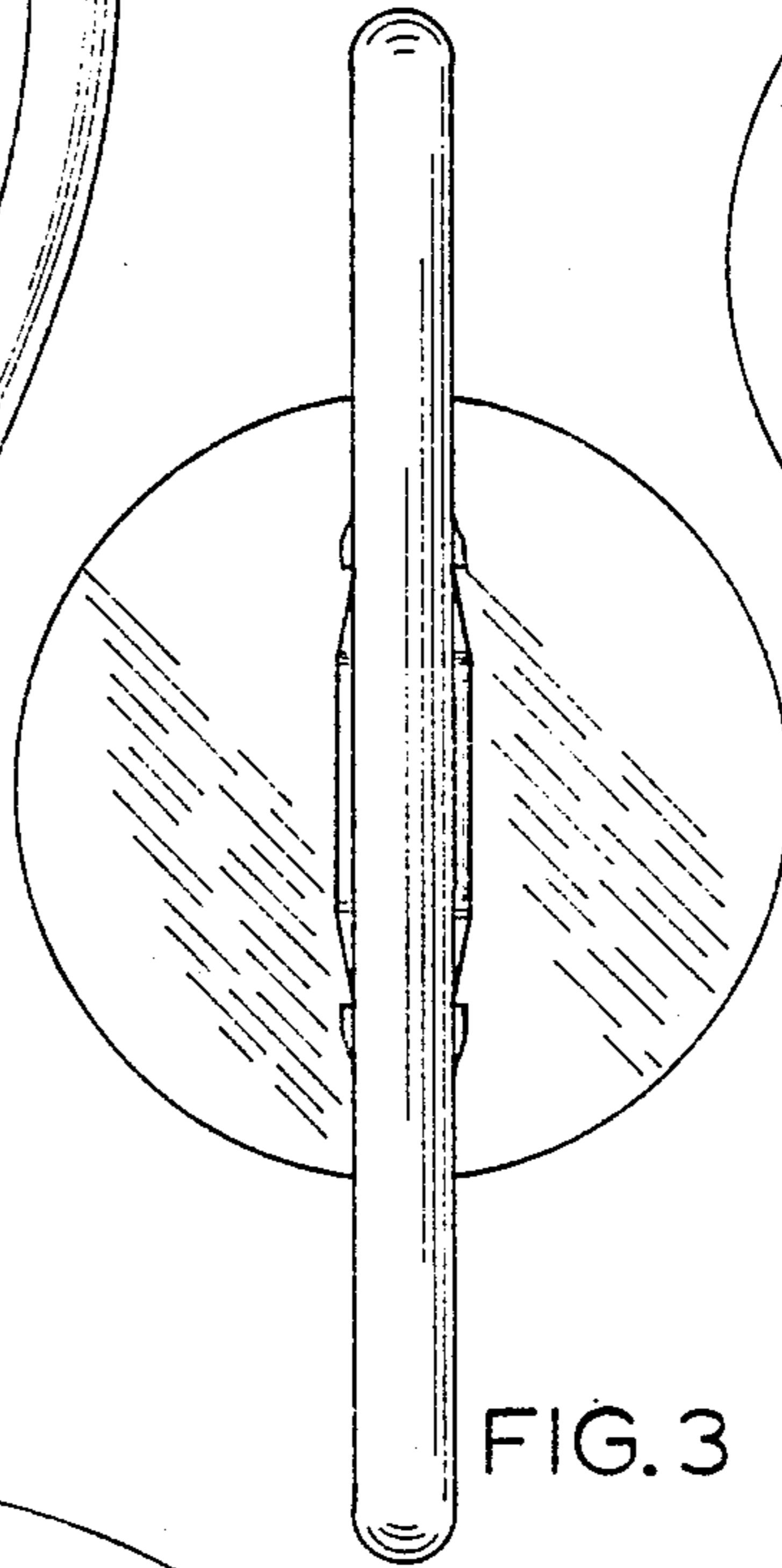


FIG. 3

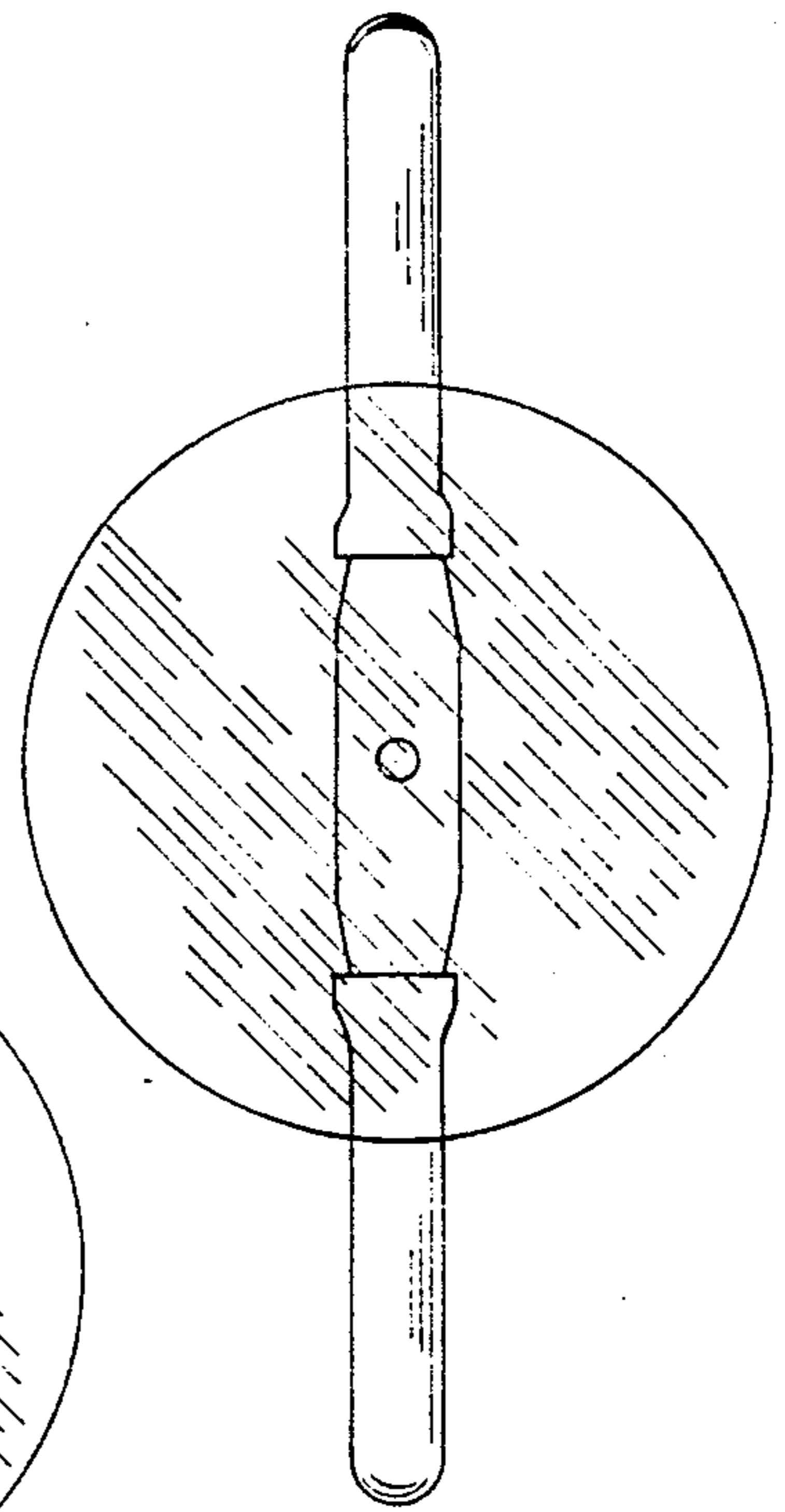


FIG. 4

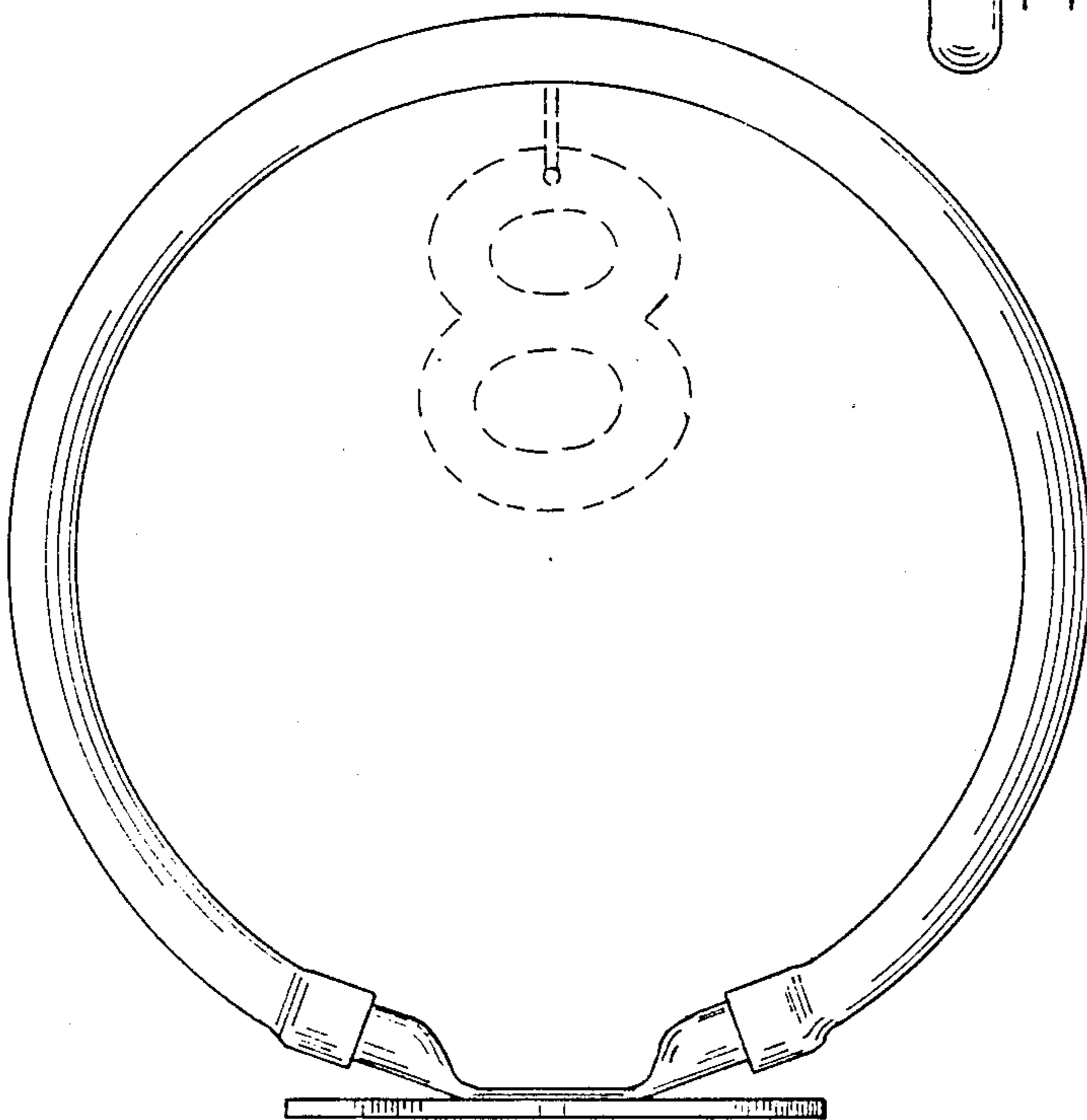


FIG. 2

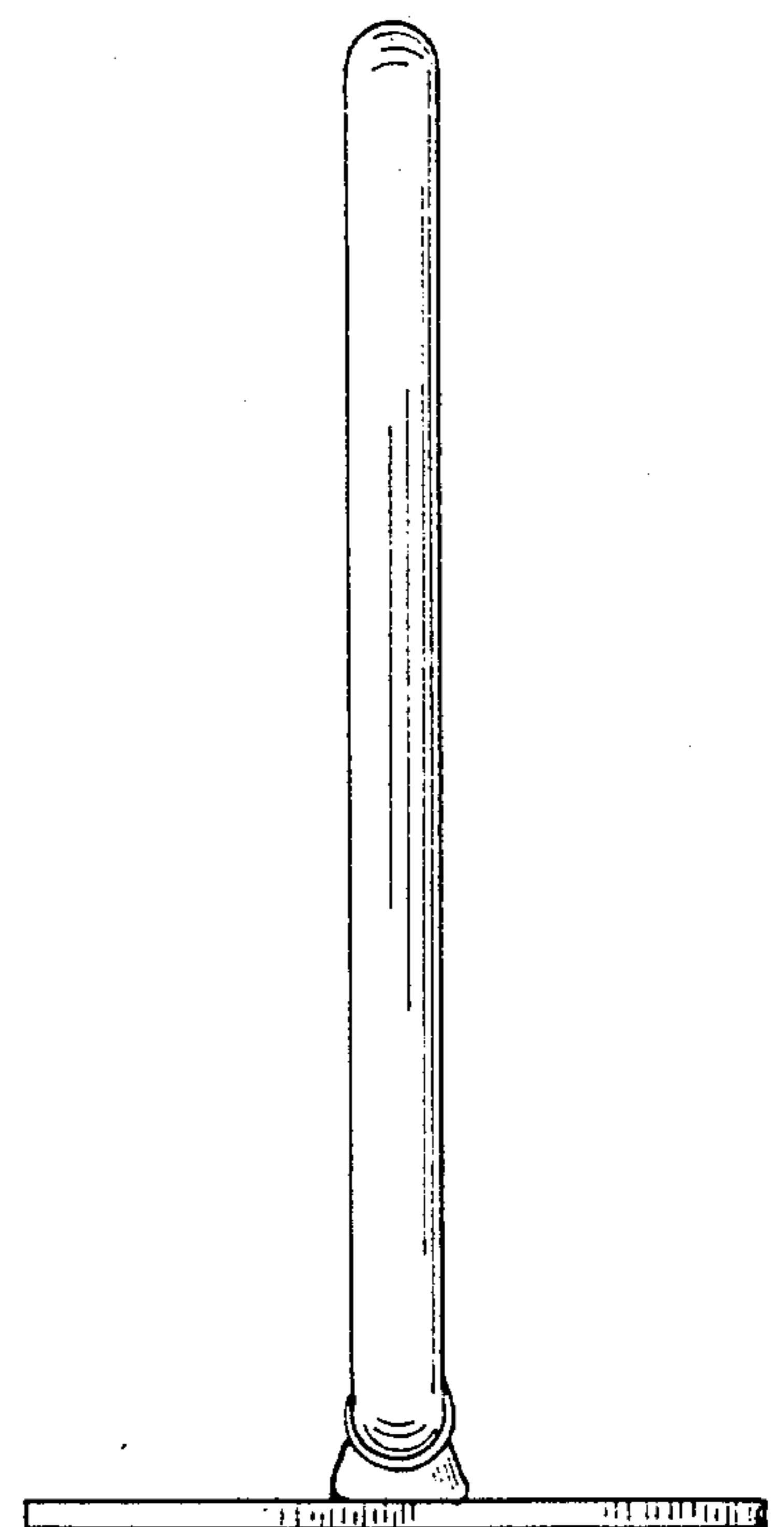


FIG. 5