

# United States Patent [19]

Kagayama

[11] Patent Number: **Des. 310,697**

[45] Date of Patent: **\*\* Sep. 18, 1990**

[54] **BICYCLE EXERCISER**

[75] Inventor: **Joe Kagayama, Osaka, Japan**

[73] Assignee: **Tsuyama Mfg. Co., Ltd., Osaka, Japan**

[\*\*] Term: **14 Years**

[21] Appl. No.: **185,820**

[22] Filed: **Apr. 25, 1988**

[30] **Foreign Application Priority Data**

Oct. 20, 1987 [JP] Japan ..... 62-42800

[52] U.S. Cl. .... **D21/194**

[58] Field of Search ..... D21/191-199;  
272/73, 703, 132; 73/379

[56] **References Cited**

**U.S. PATENT DOCUMENTS**

- D. 275,589 9/1984 Gustafsson ..... D21/194
- D. 291,462 8/1987 Aacto ..... D21/194

- D. 298,267 10/1988 Nakao et al. .... D21/194
- D. 299,371 1/1989 Tsuyama ..... D21/194
- D. 299,670 1/1989 Lin et al. .... D21/194
- 4,720,094 1/1988 Danchucis ..... 272/73

*Primary Examiner*—Charles A. Rademaker  
*Attorney, Agent, or Firm*—Allegretti & Witcoff, Ltd.

[57] **CLAIM**

The ornamental design for a bicycle exerciser, as shown and described.

**DESCRIPTION**

FIG. 1 is a rear perspective view of a bicycle exerciser showing my new design;  
 FIG. 2 is a front perspective view thereof;  
 FIG. 3 is a top perspective view thereof;  
 FIG. 4 is a bottom perspective view thereof;  
 FIG. 5 is a left side perspective view thereof;  
 FIG. 6 is a right side perspective view thereof;  
 FIG. 7 is a left rear perspective view thereof; and  
 FIG. 8 is a right front perspective view thereof.

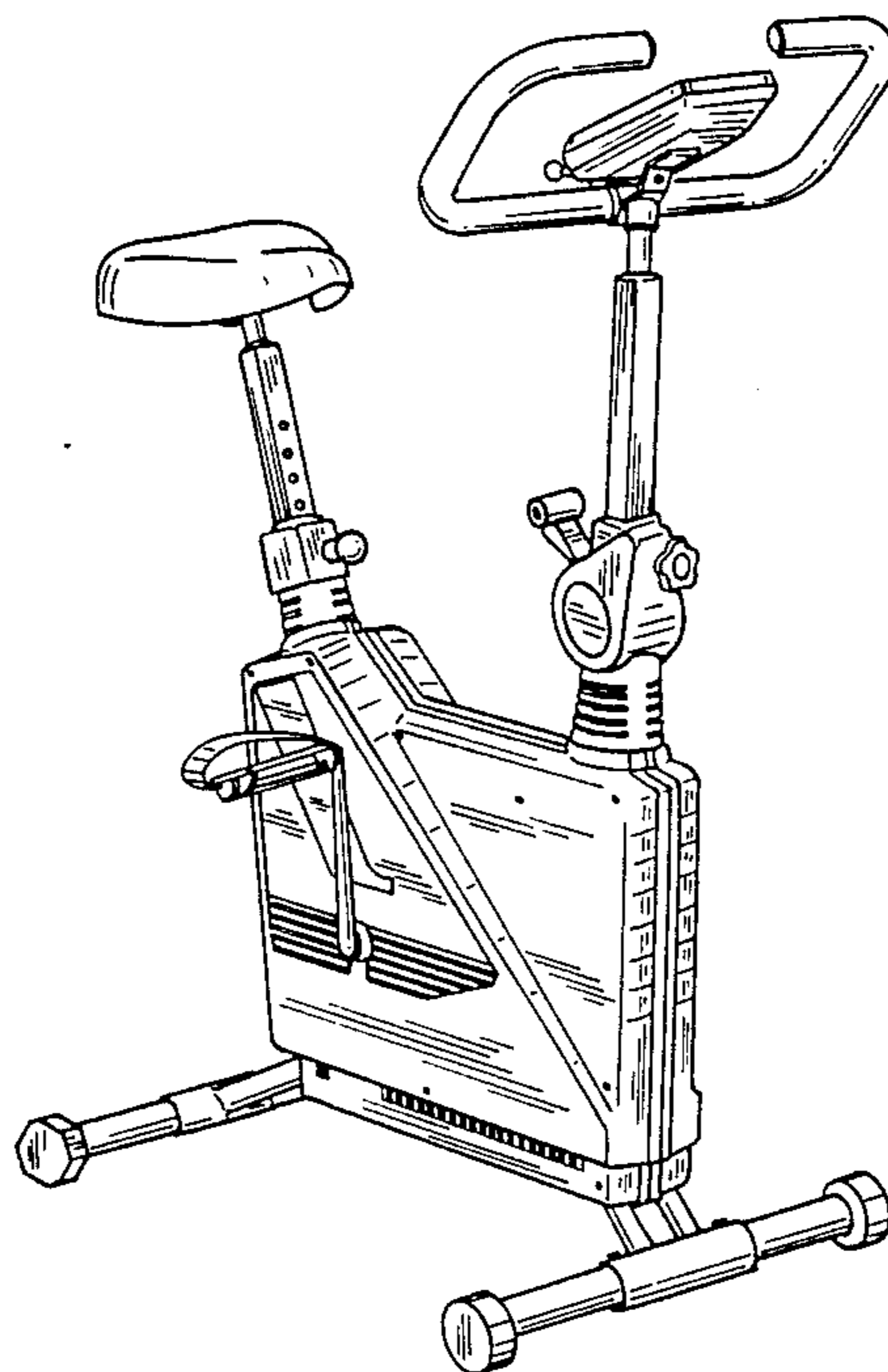


FIG. 1

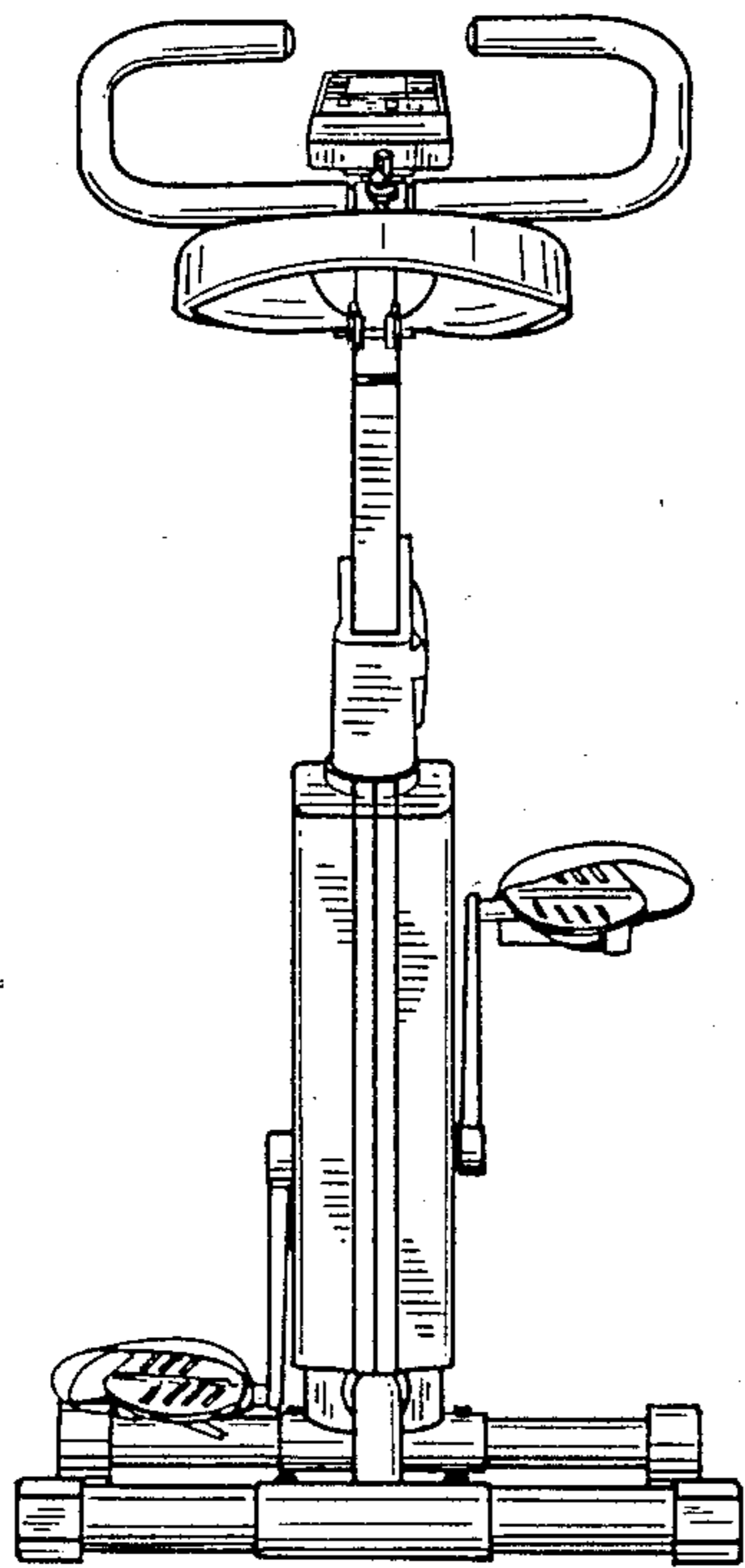


FIG. 6

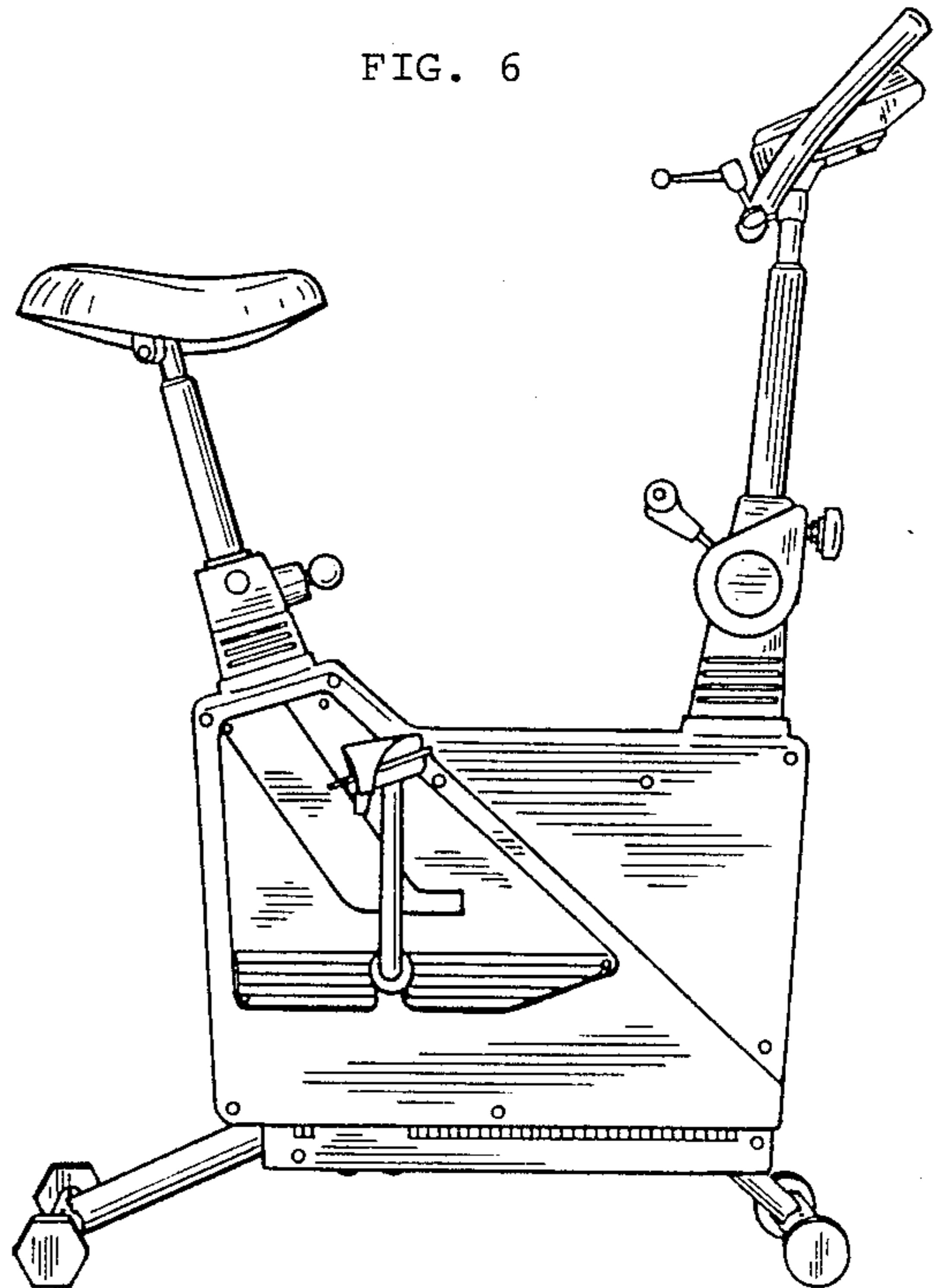


FIG. 3

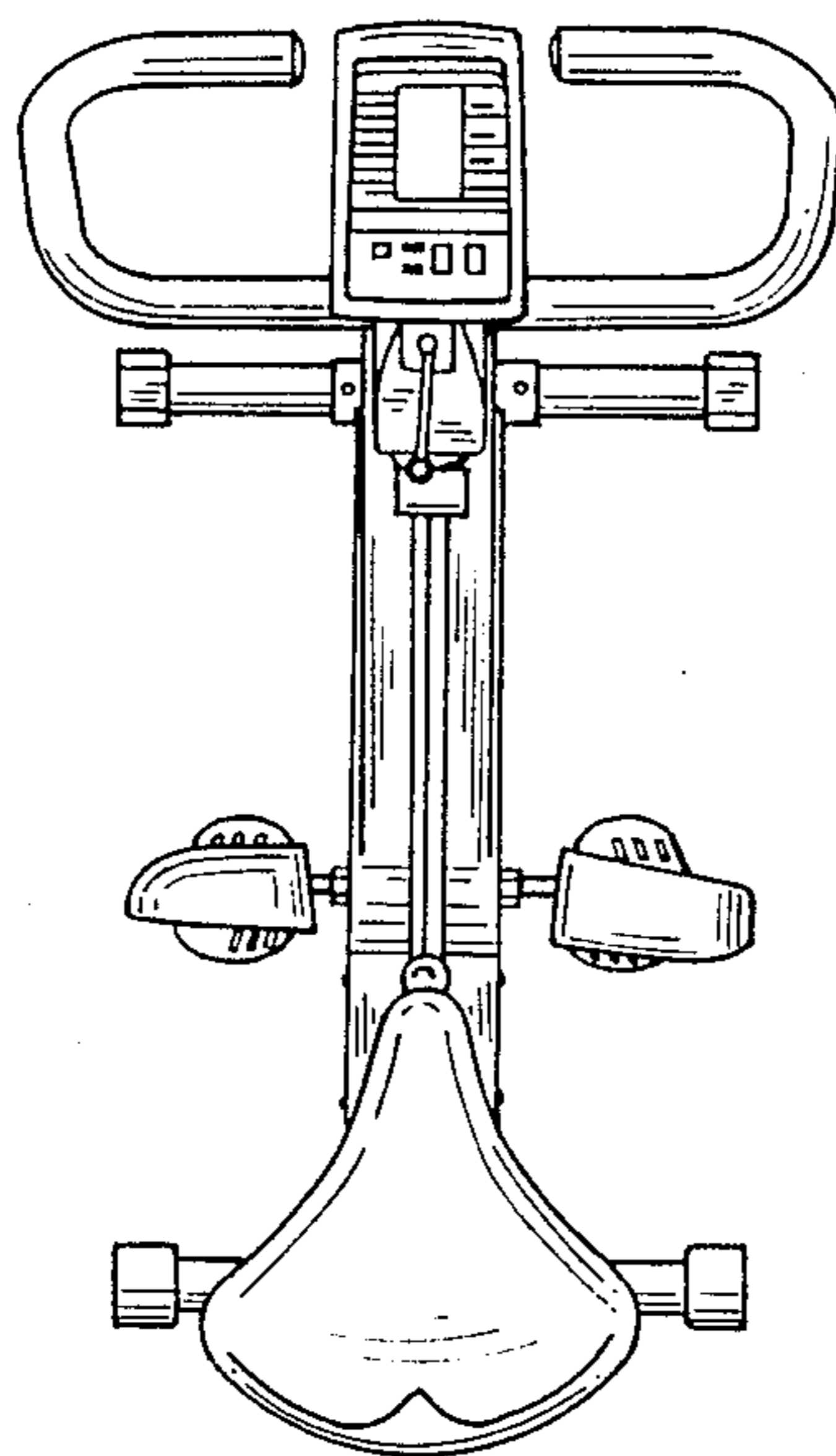


FIG. 2

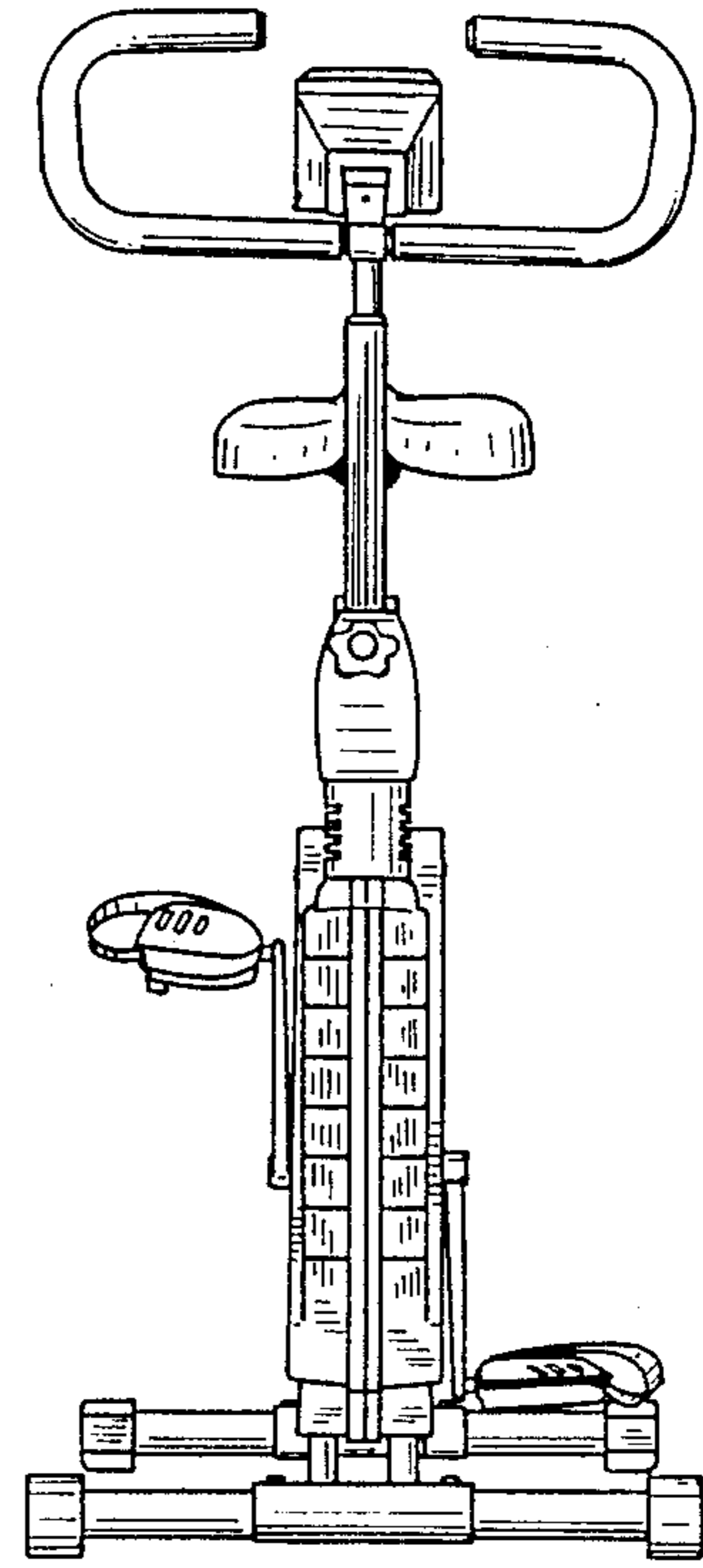


FIG. 5

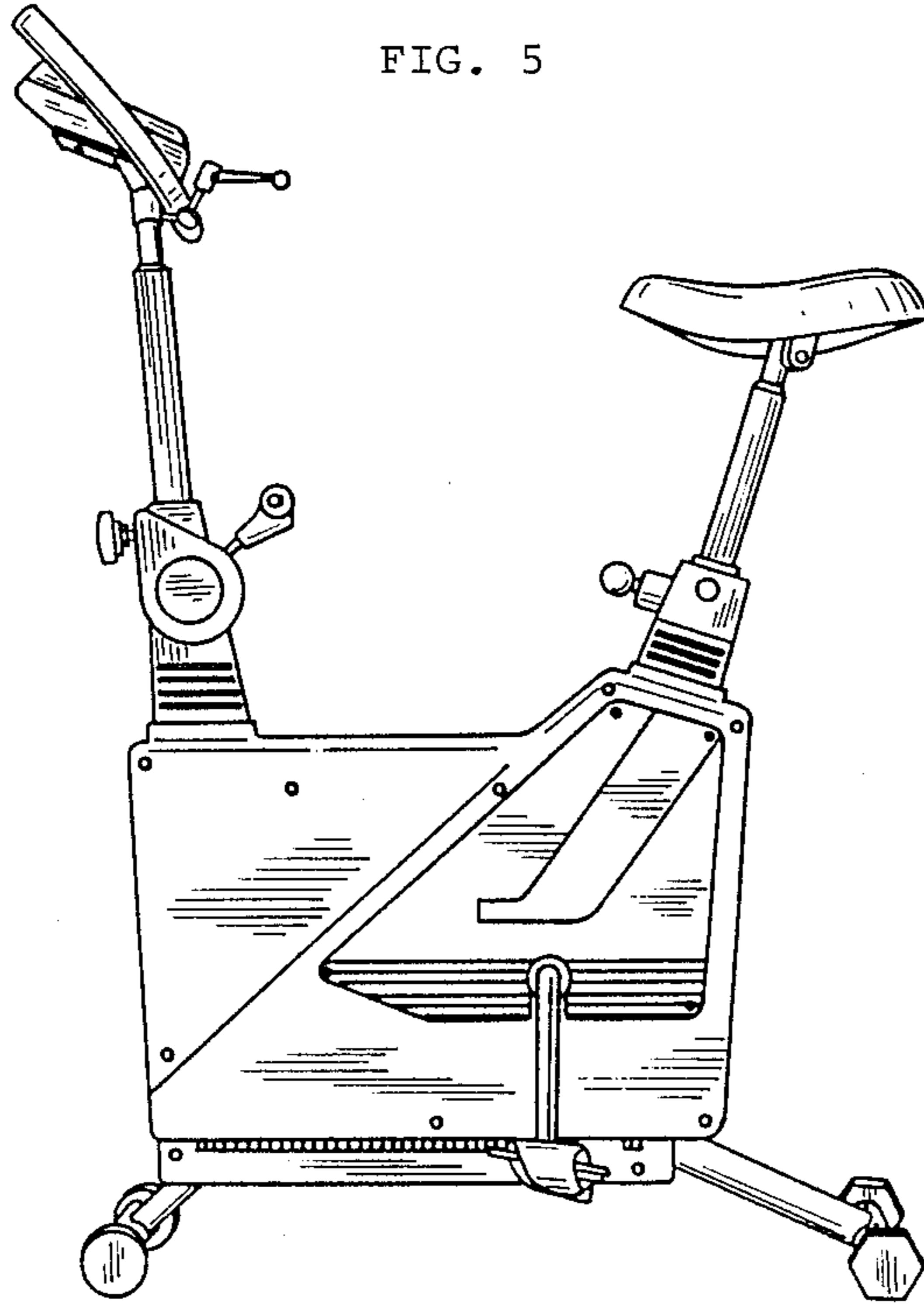
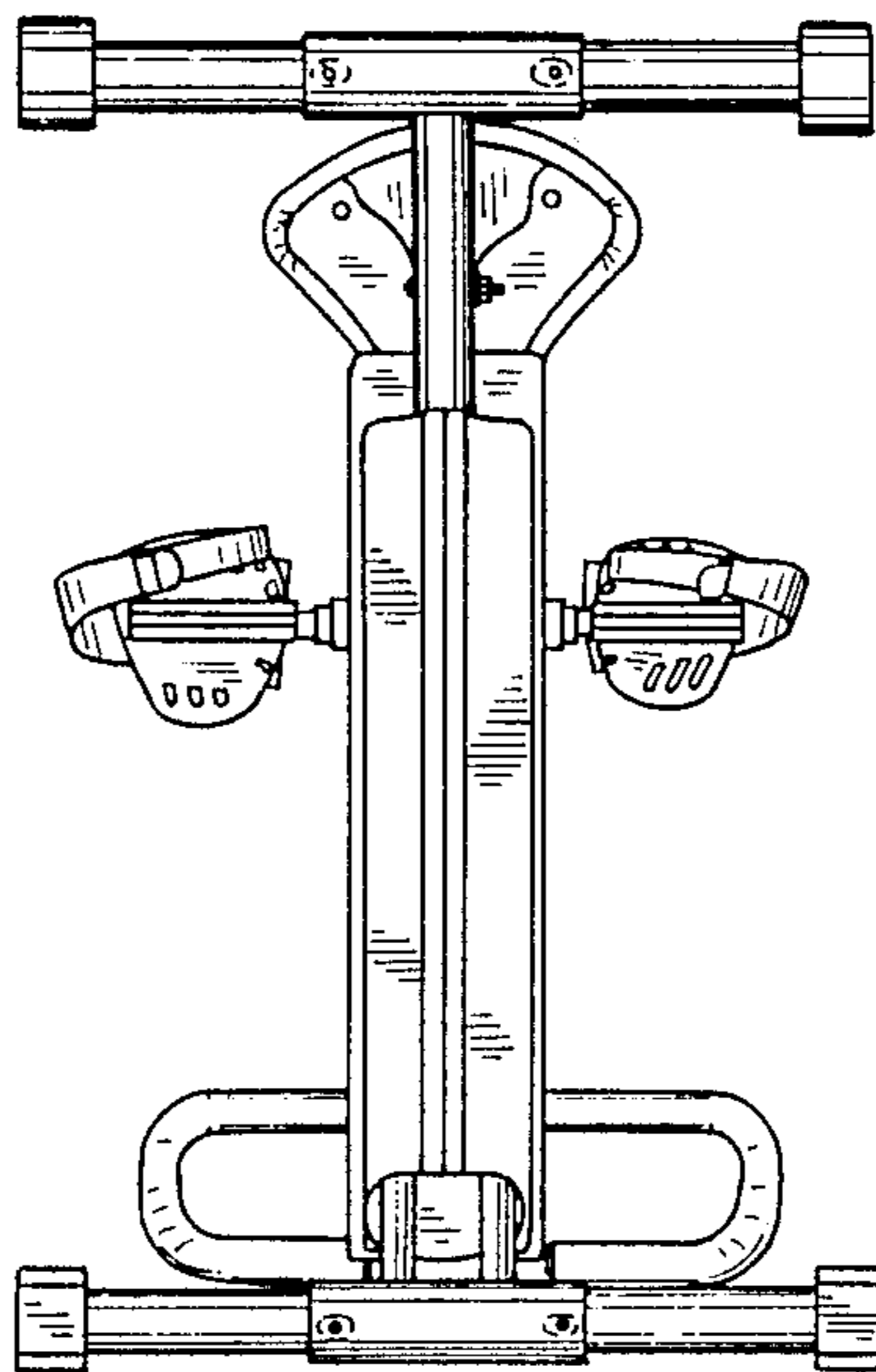


FIG. 4



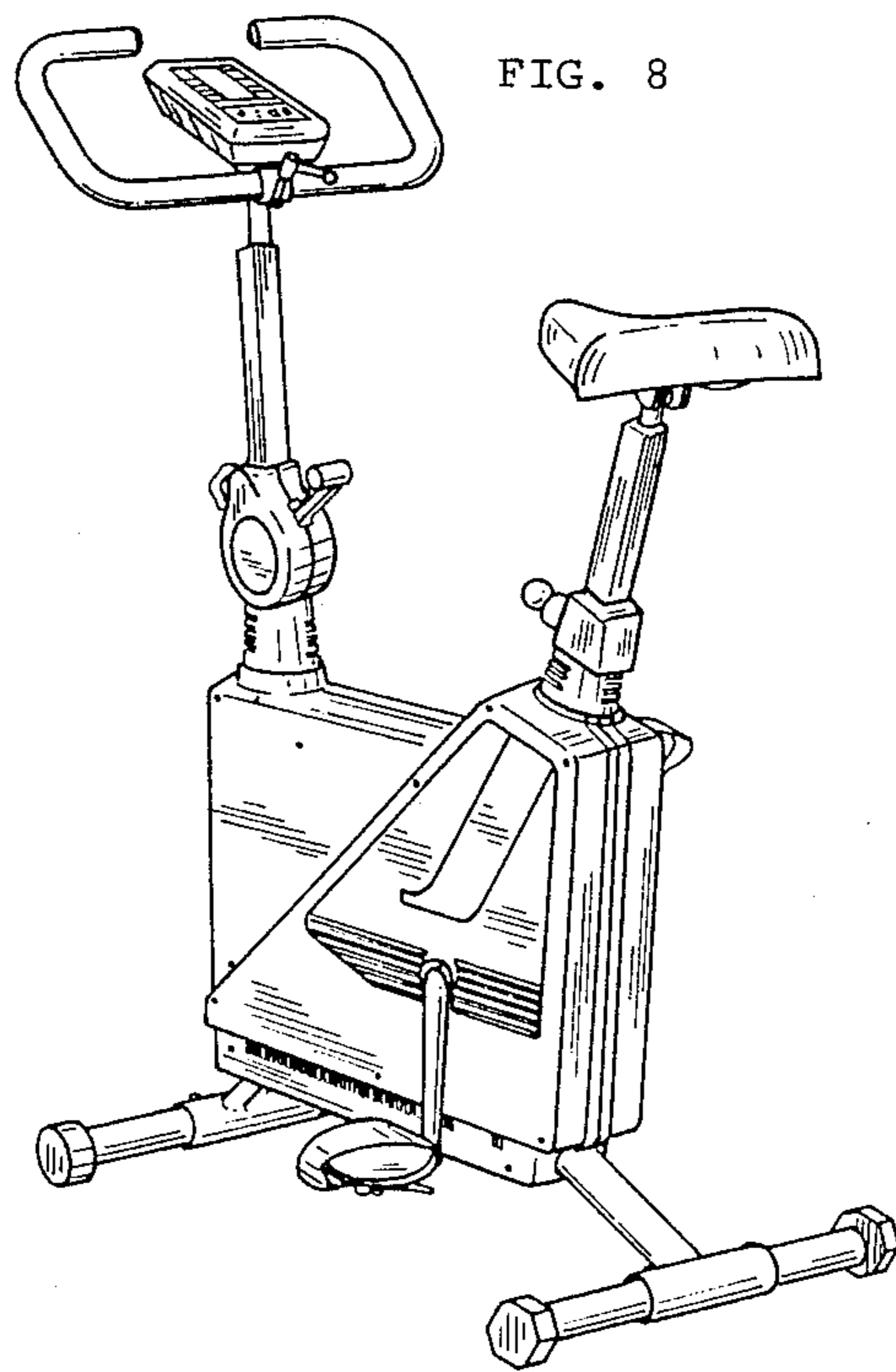


FIG. 7

