

[54] SPINNING TOY ASSEMBLY

[76] Inventors: Cecilio Gonzalez, HC 35 - Box 6458, San Lorenzo, P.R. 00754; Carlos Gonzalez, 39 Poplar Gardens, Apartment B, Rochester, N.Y. 14606; Michael Massi, Calle CJ8, Jardines de Caquas; Phillip M. Czechowski, D-10, Calle-1, Altos de la Fuente, both of Caquas, P.R. 00625

[**] Term: 14 Years

[21] Appl. No.: 216,987

[22] Filed: Jul. 11, 1988

[52] U.S. Cl. D21/96

[58] Field of Search D28/86; 446/36, 256, 446/257, 258, 259, 260, 261, 262, 264; D21/92-98

[56] References Cited

U.S. PATENT DOCUMENTS

- D. 55,083 5/1920 Tabara .
- D. 199,681 12/1964 Bross D21/86
- 652,073 6/1900 Berg .
- 693,328 2/1902 Morgan D21/86
- 696,990 4/1902 Mettler .
- 719,276 1/1903 Thornburg .
- 1,047,381 12/1912 Contri .
- 1,207,200 12/1916 Novak .
- 1,419,651 6/1922 Szucs .

- 1,480,858 1/1924 Goetz .
- 1,488,687 4/1924 Kira .
- 1,633,486 6/1927 Lunz .
- 1,802,386 4/1931 Kline .
- 1,841,566 1/1932 Zaurrini .
- 1,907,084 5/1933 Morini .
- 3,114,986 12/1963 Blonski .
- 3,246,424 4/1966 Gregory .

OTHER PUBLICATIONS

American Modeler, 9-1959, p. 28, "German 'Saucer'"

Primary Examiner—Charles A. Rademaker
Attorney, Agent, or Firm—Staas & Halsey

[57] CLAIM

The ornamental design for a spinning toy assembly, as shown and described.

DESCRIPTION

FIG. 1 is a top perspective view of a spinning toy assembly showing our new design; FIG. 2 is another top perspective view thereof showing the parts in an exploded relationship; FIG. 3 is a bottom perspective view thereof; FIG. 4 is a bottom perspective view thereof showing the parts in an exploded relationship; FIG. 5 is a top plan view thereof; FIG. 6 is a left side elevational view thereof; FIG. 7 is a bottom plan view thereof; FIG. 8 is a rear elevational view thereof; and, FIG. 9 is a front elevational view thereof.

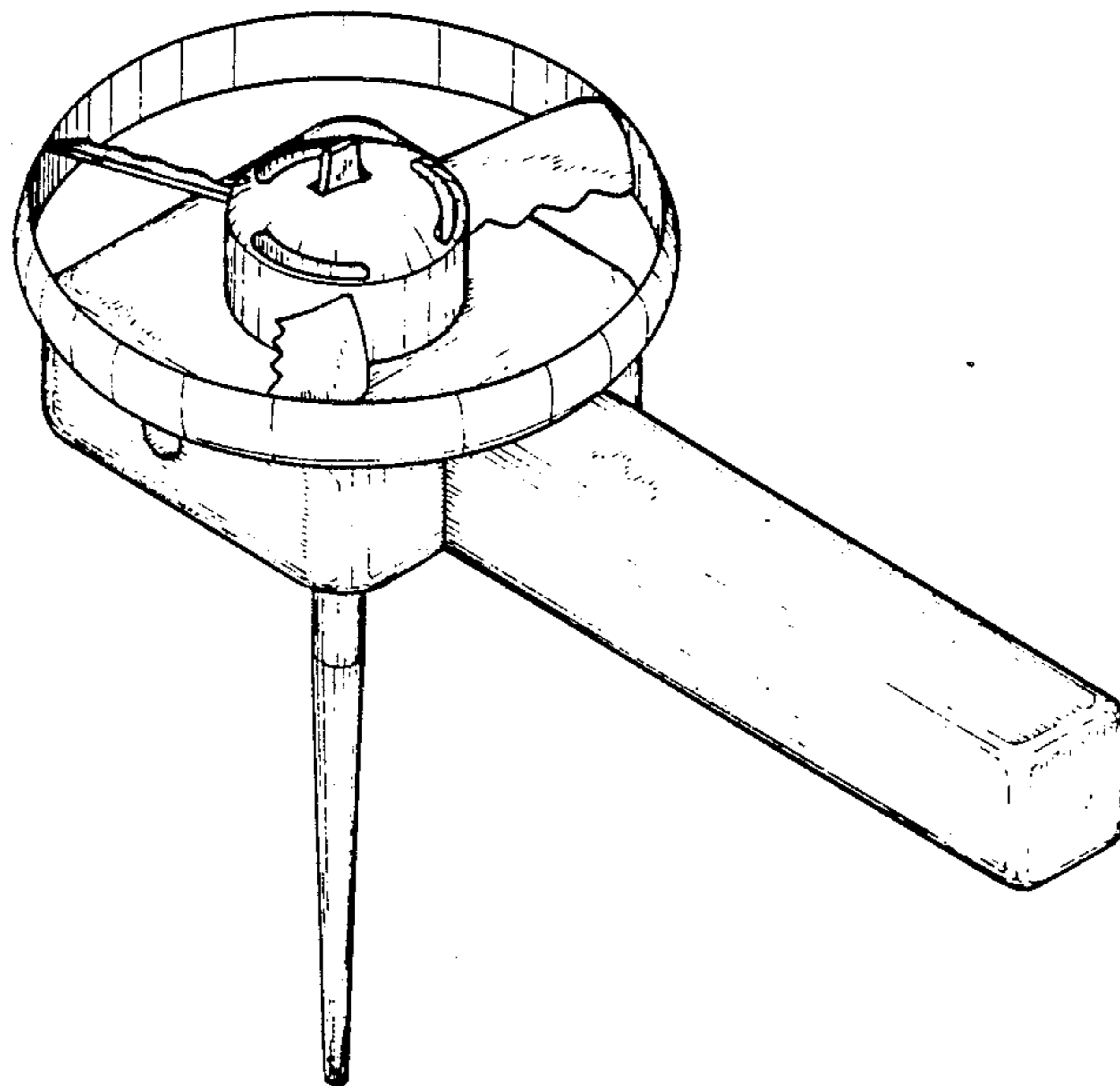


FIG. 1

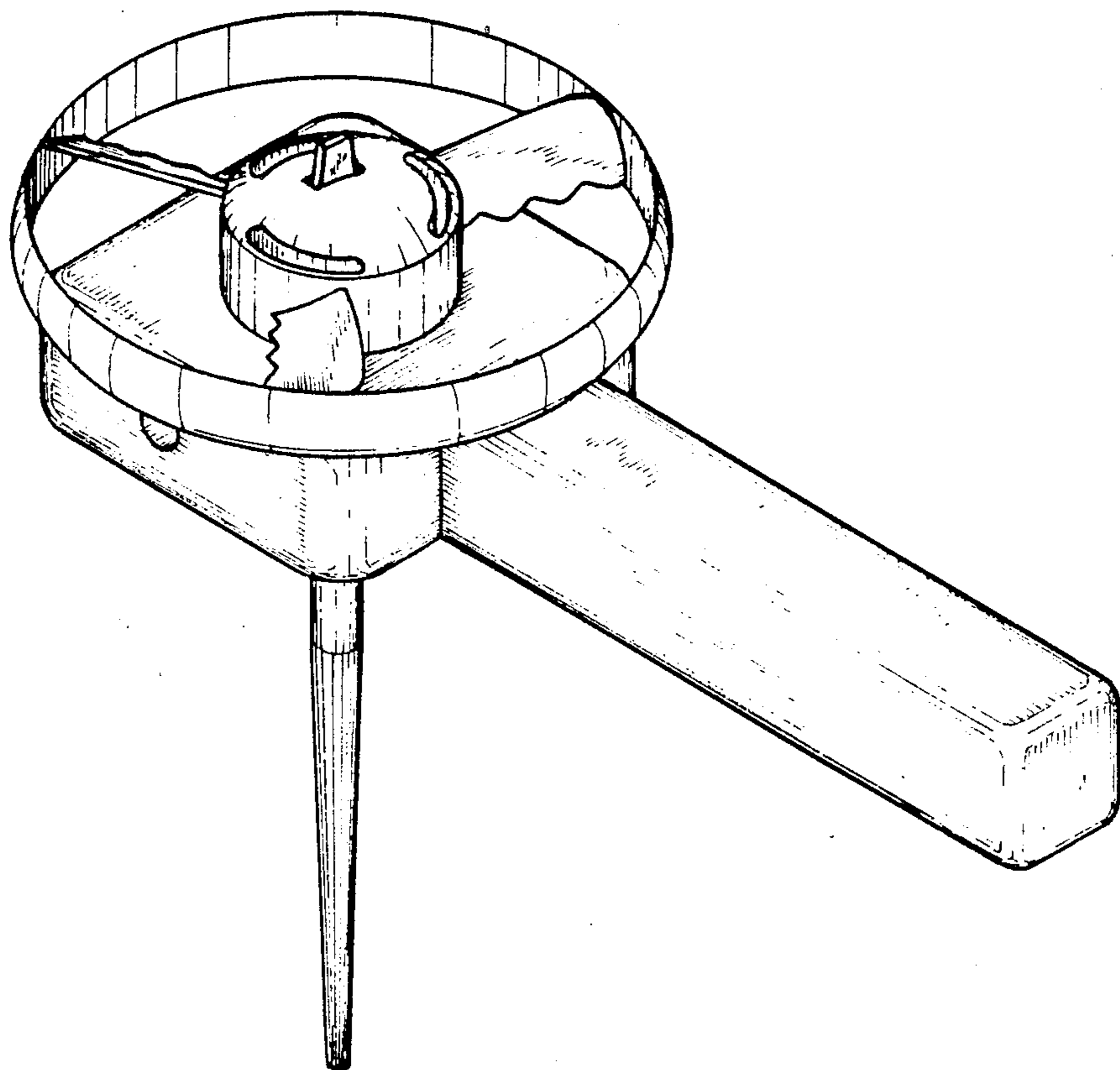


FIG. 2

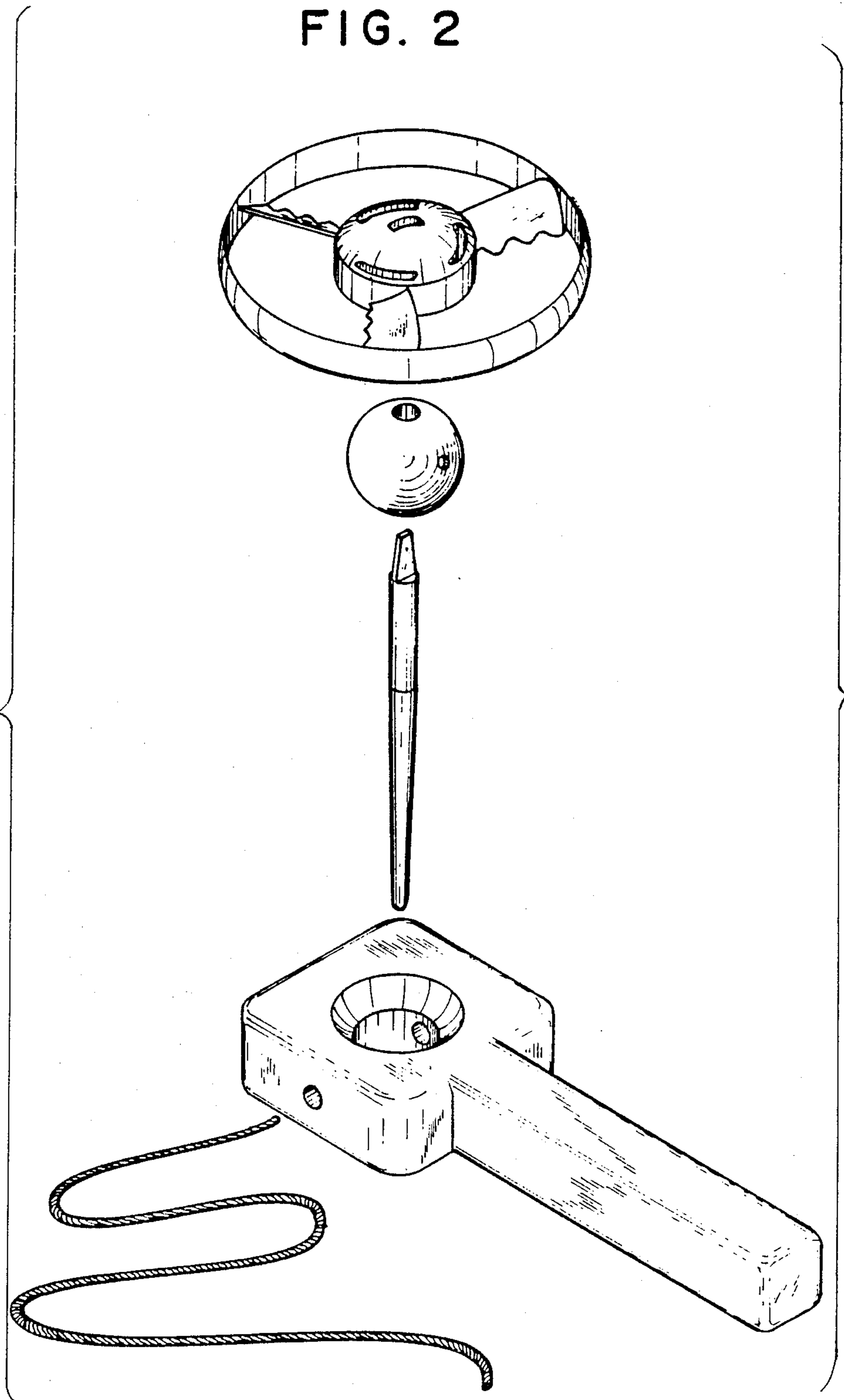


FIG. 3

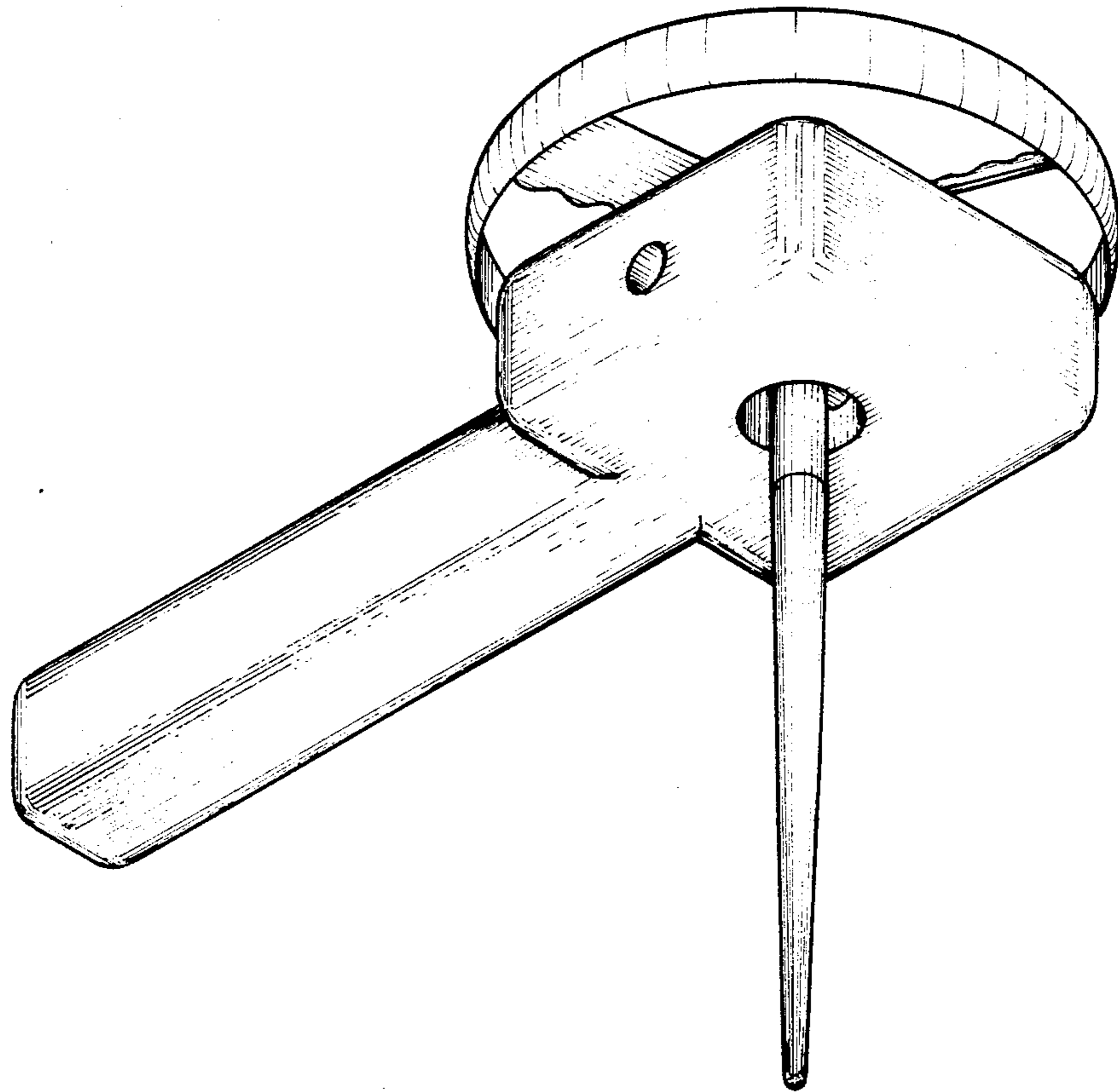


FIG. 4

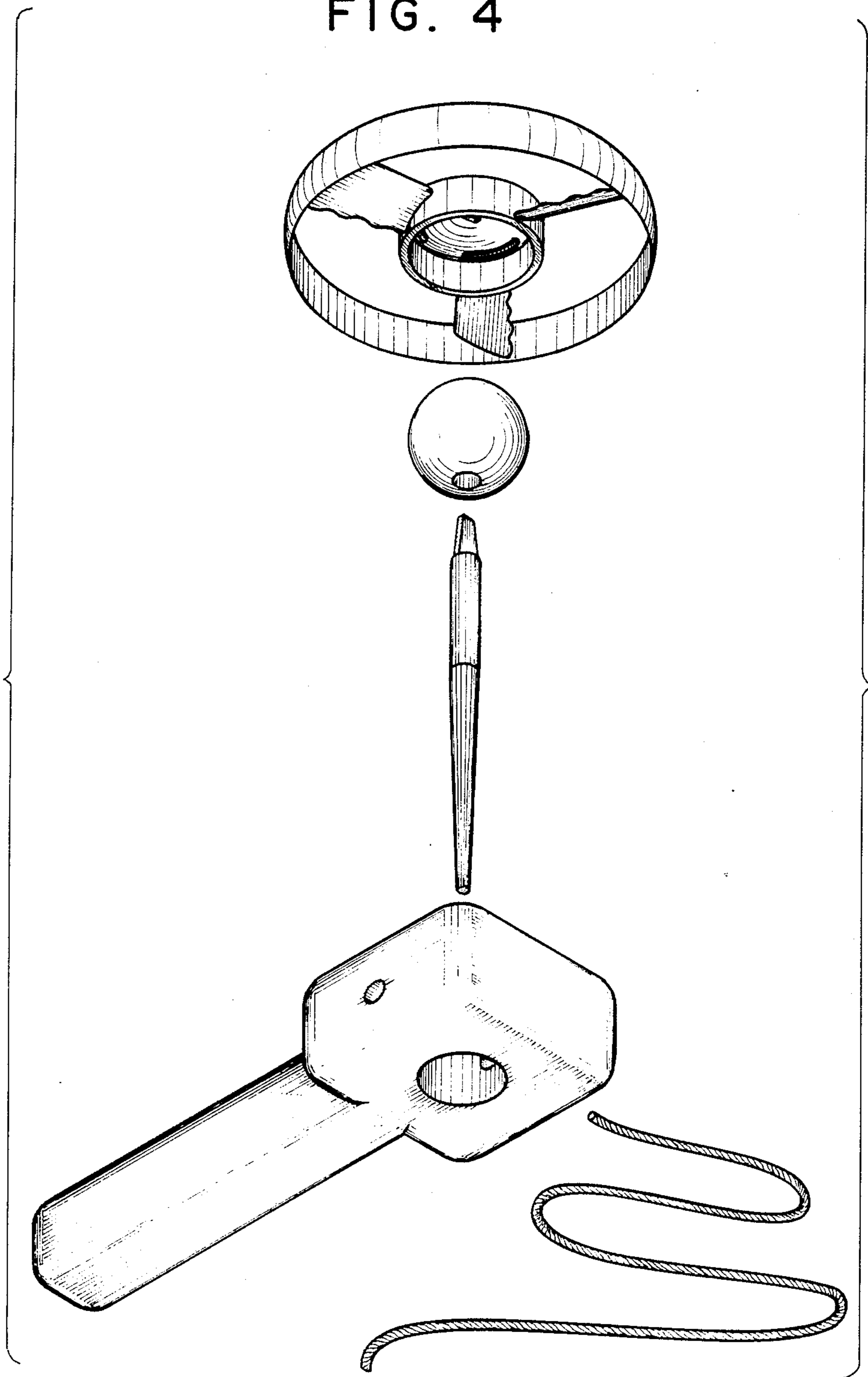


FIG. 5

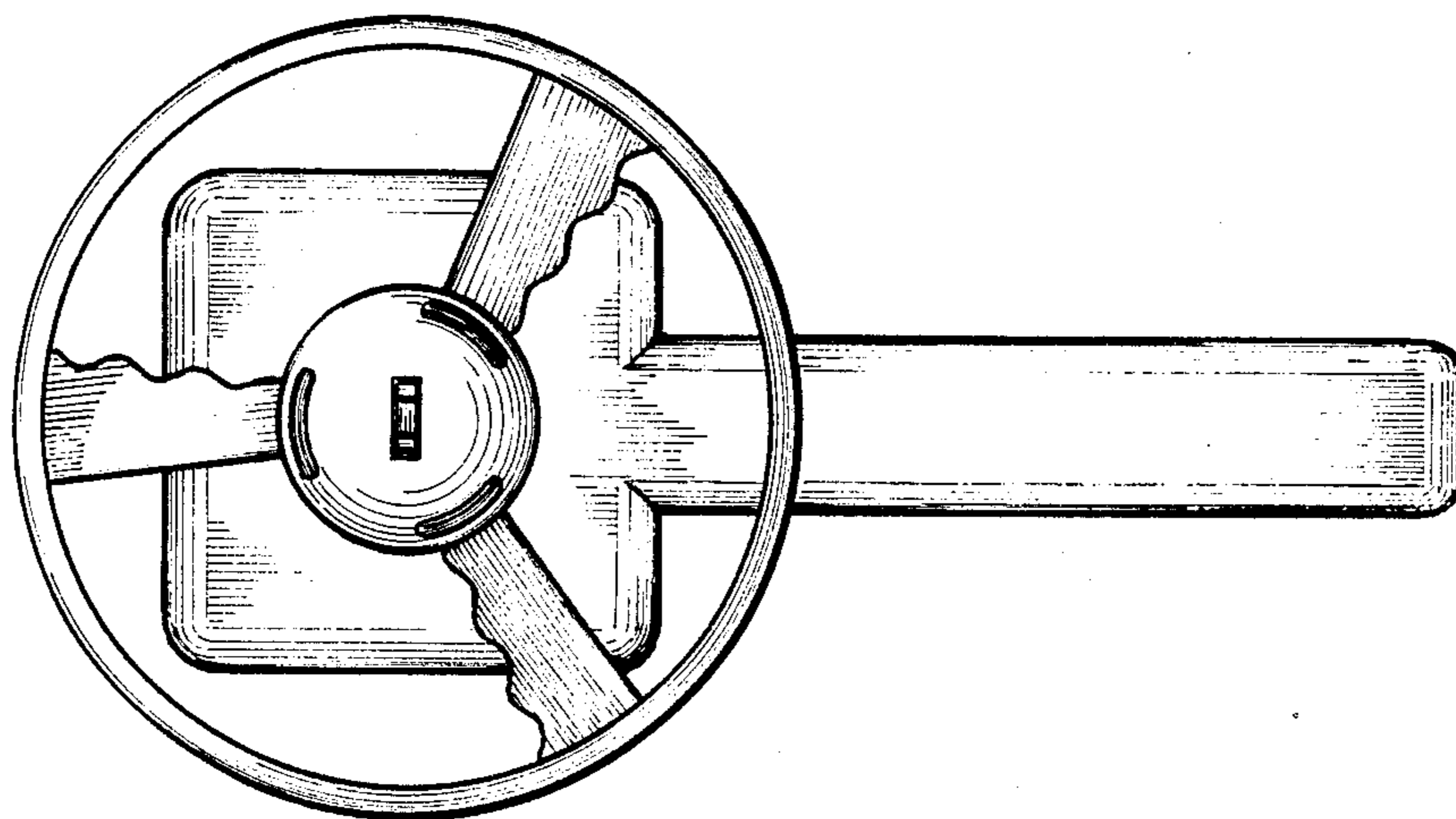


FIG. 6

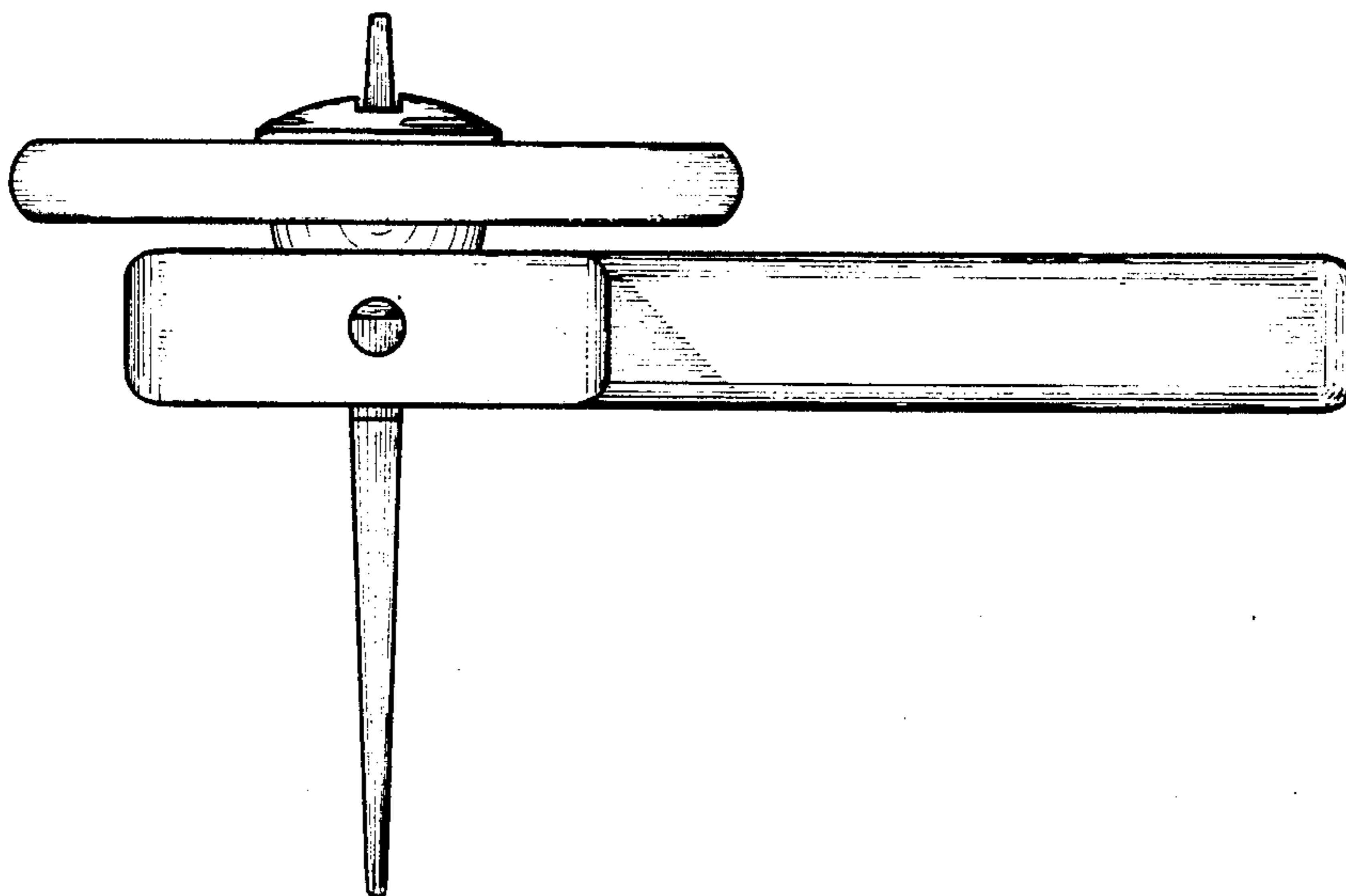


FIG. 7

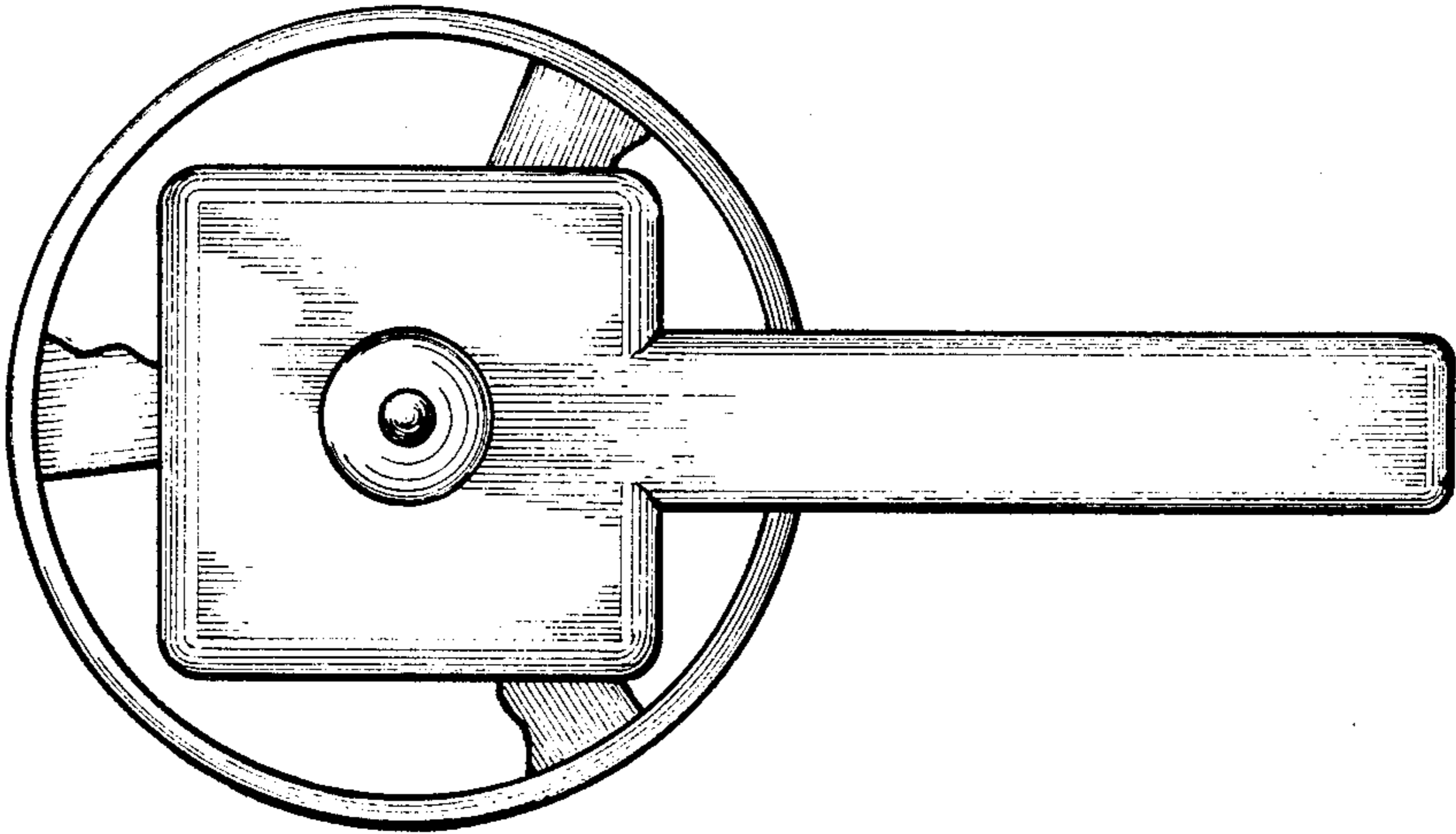


FIG. 8

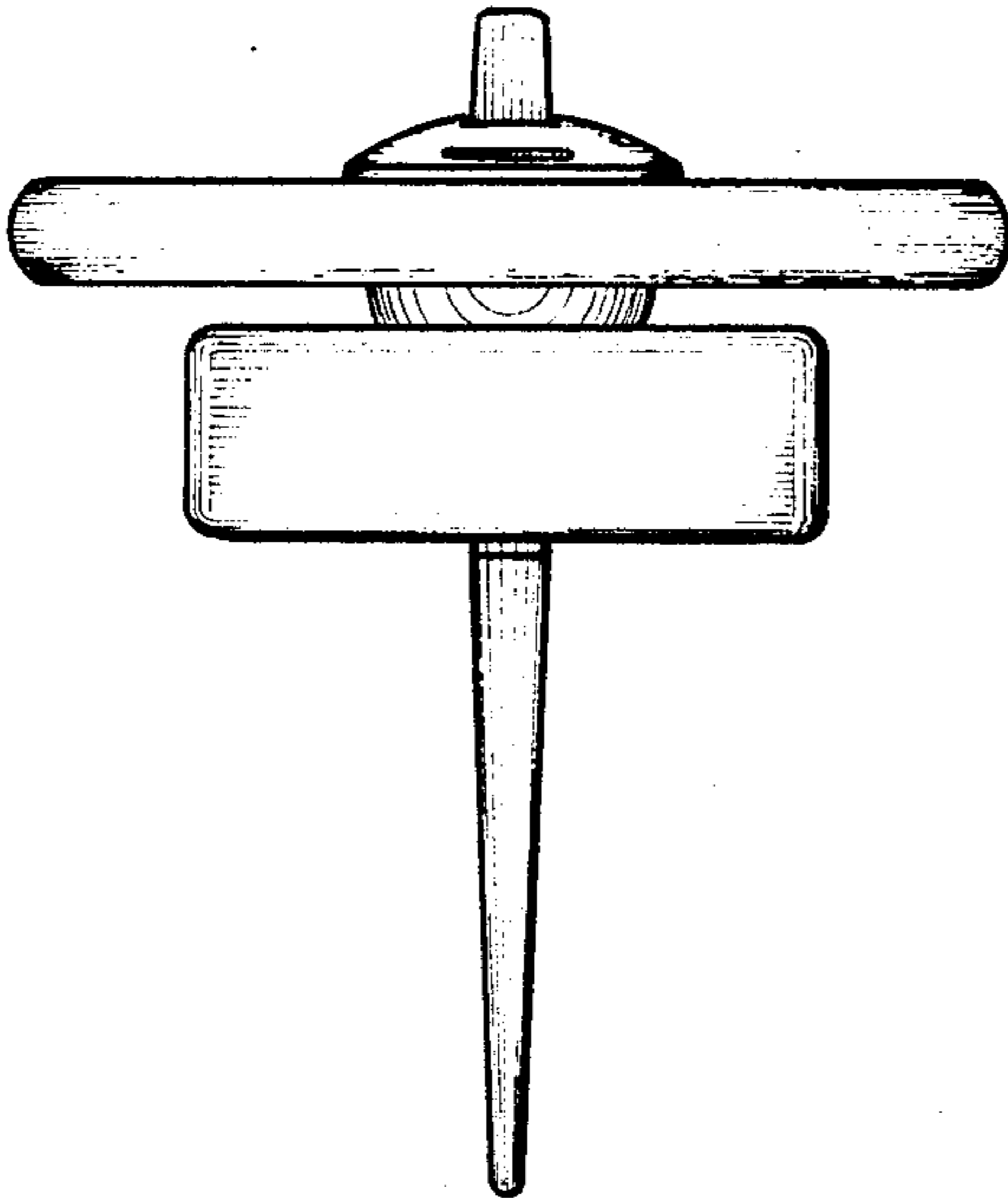


FIG. 9

