

[54] PHOTOCONDUCTOR CARTRIDGE FOR COMPUTER OUTPUT PRINTERS

[75] Inventor: Yoshitaka Tsumuro, Tokyo, Japan

[73] Assignee: NEC Corporation, Tokyo, Japan

[**] Term: 14 Years

[21] Appl. No.: 39,486

[22] Filed: Apr. 17, 1987

[30] Foreign Application Priority Data

Oct. 17, 1986 [JP] Japan 61-41199

[52] U.S. Cl. D18/40

[58] Field of Search D18/40, 43; 355/245, 355/260

[56] References Cited

U.S. PATENT DOCUMENTS

D. 287,023 12/1986 Masaki D18/40

D. 298,334 11/1988 Masaki et al. D18/43

FOREIGN PATENT DOCUMENTS

0010274 1/1985 Japan 355/260

0233768 10/1986 Japan 355/260

0209572 9/1987 Japan 355/245

Primary Examiner—Nelson C. Holtje
Assistant Examiner—Caron D. Veynar
Attorney, Agent, or Firm—Sughrue, Mion, Zinn,
Macpeak & Seas

[57] CLAIM

The ornamental design for photoconductor cartridge for computer output printers, as shown.

DESCRIPTION

FIG. 1 is a top plan view of a photoconductor cartridge for computer output printers showing my new design; FIG. 2 is a front elevational view thereof; FIG. 3 is a bottom plan view thereof; FIG. 4 is a rear elevational view thereof; FIG. 5 is a left side elevational view thereof; FIG. 6 is right side elevational view thereof; and FIG. 7 is a right front perspective view thereof.

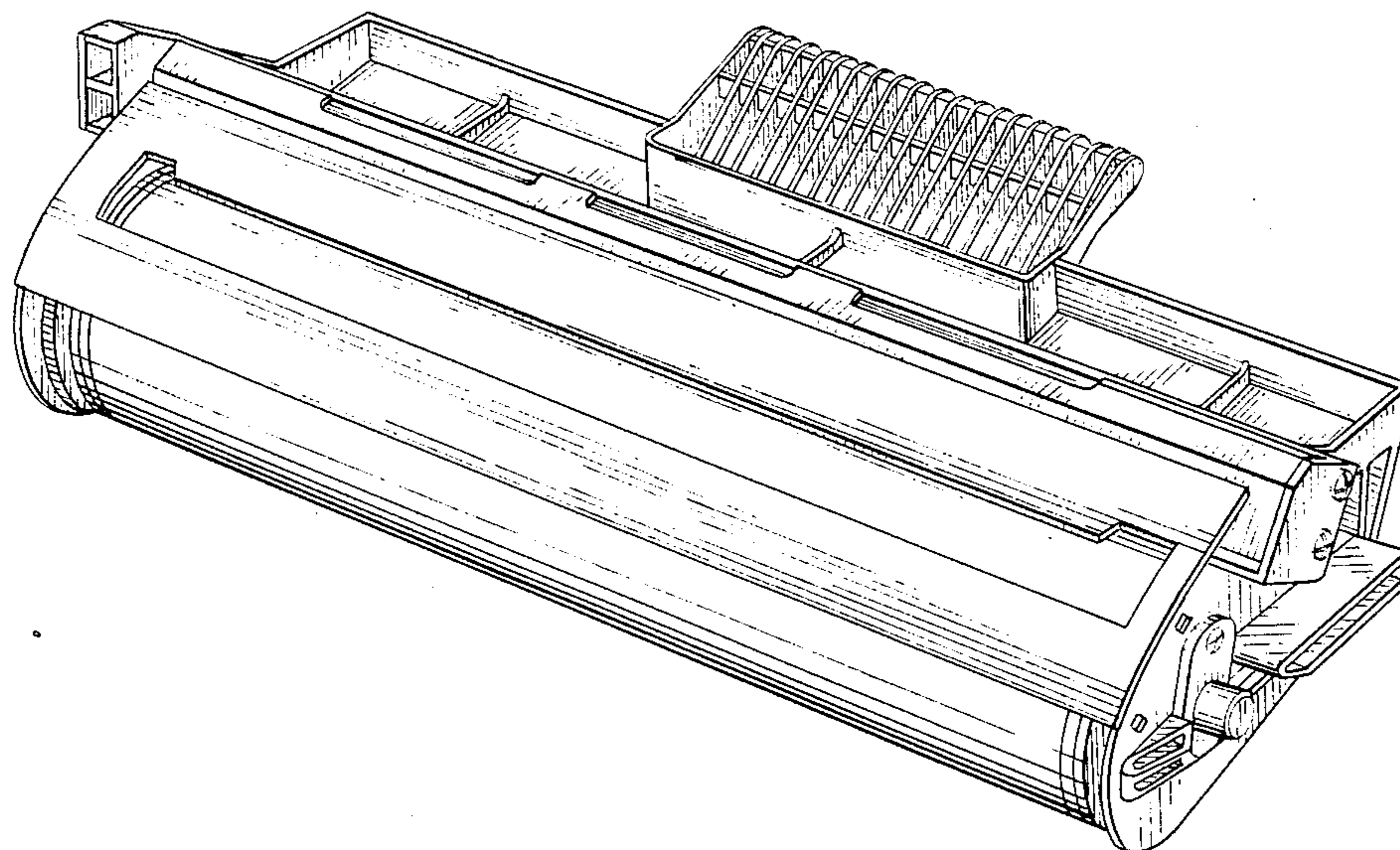


FIG. 1

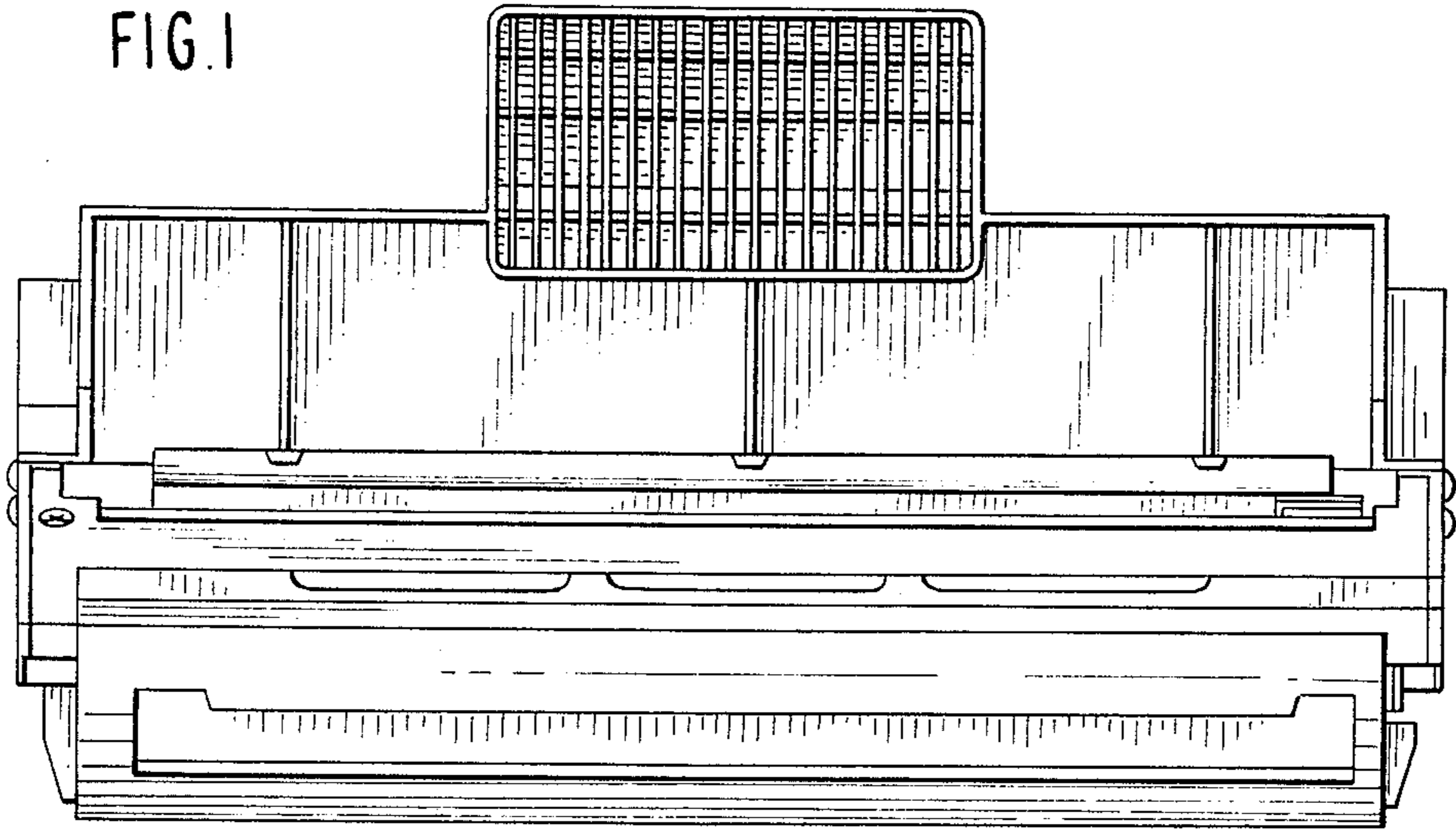


FIG. 2

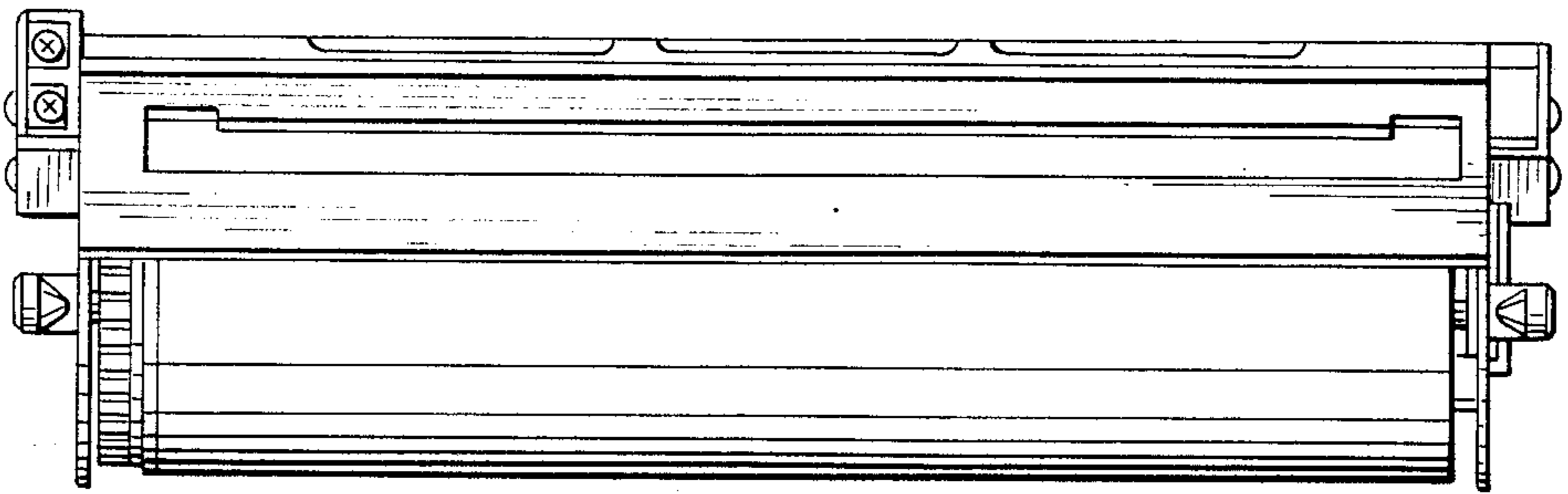
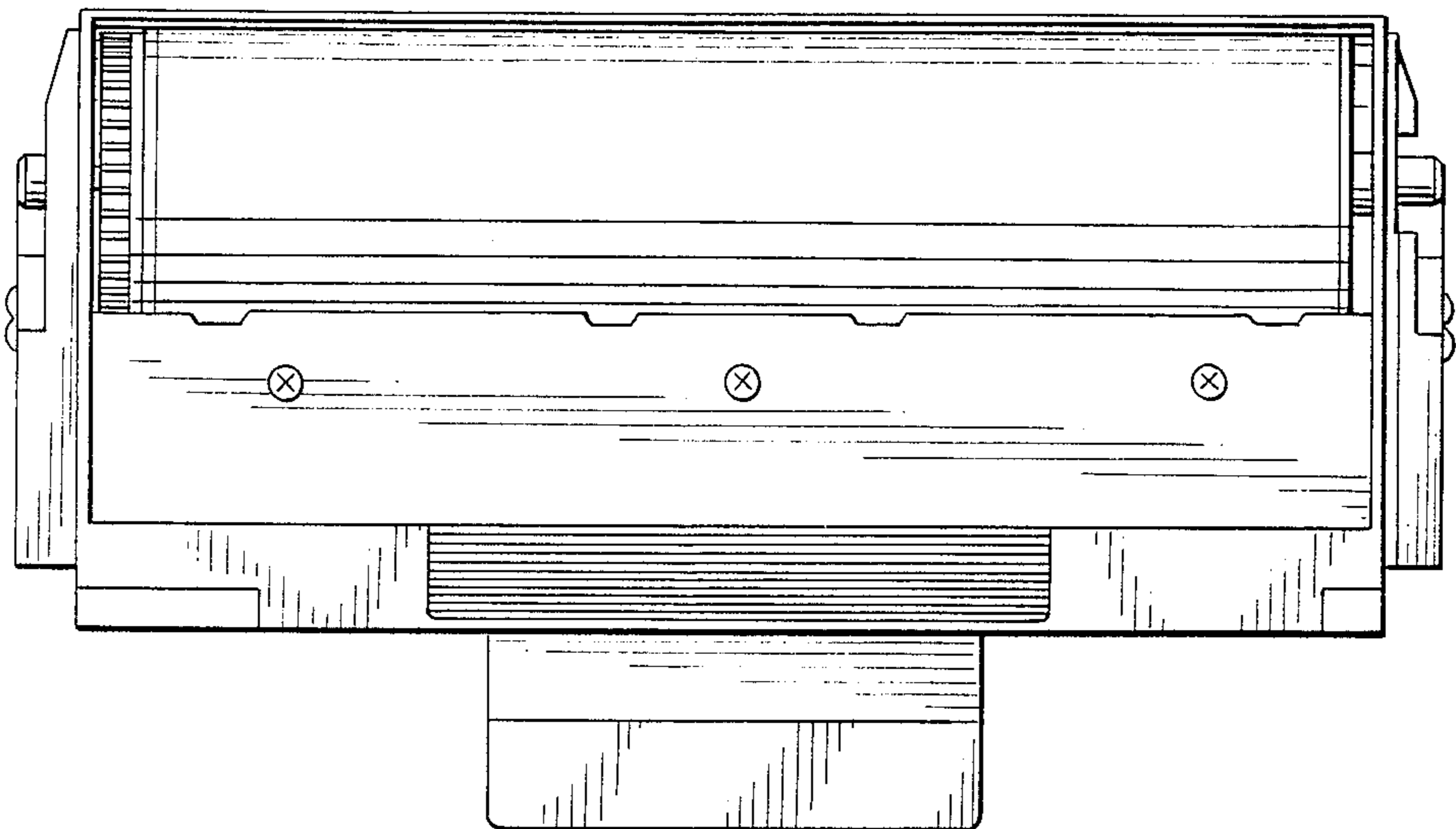


FIG. 3



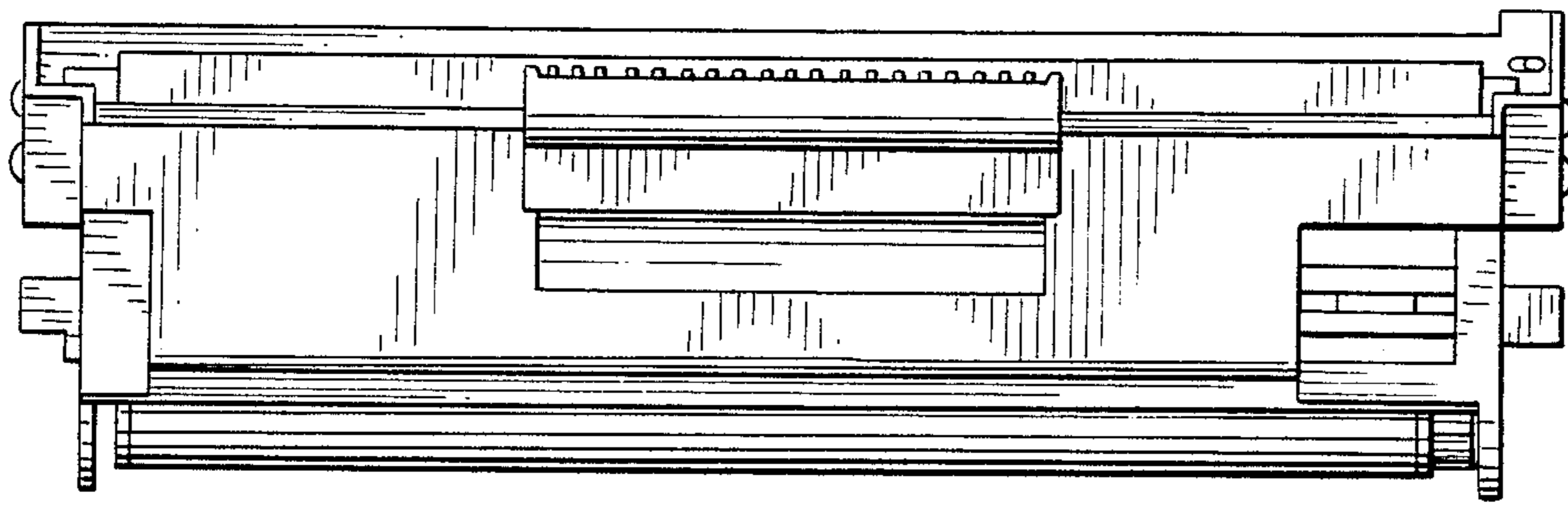


FIG. 4

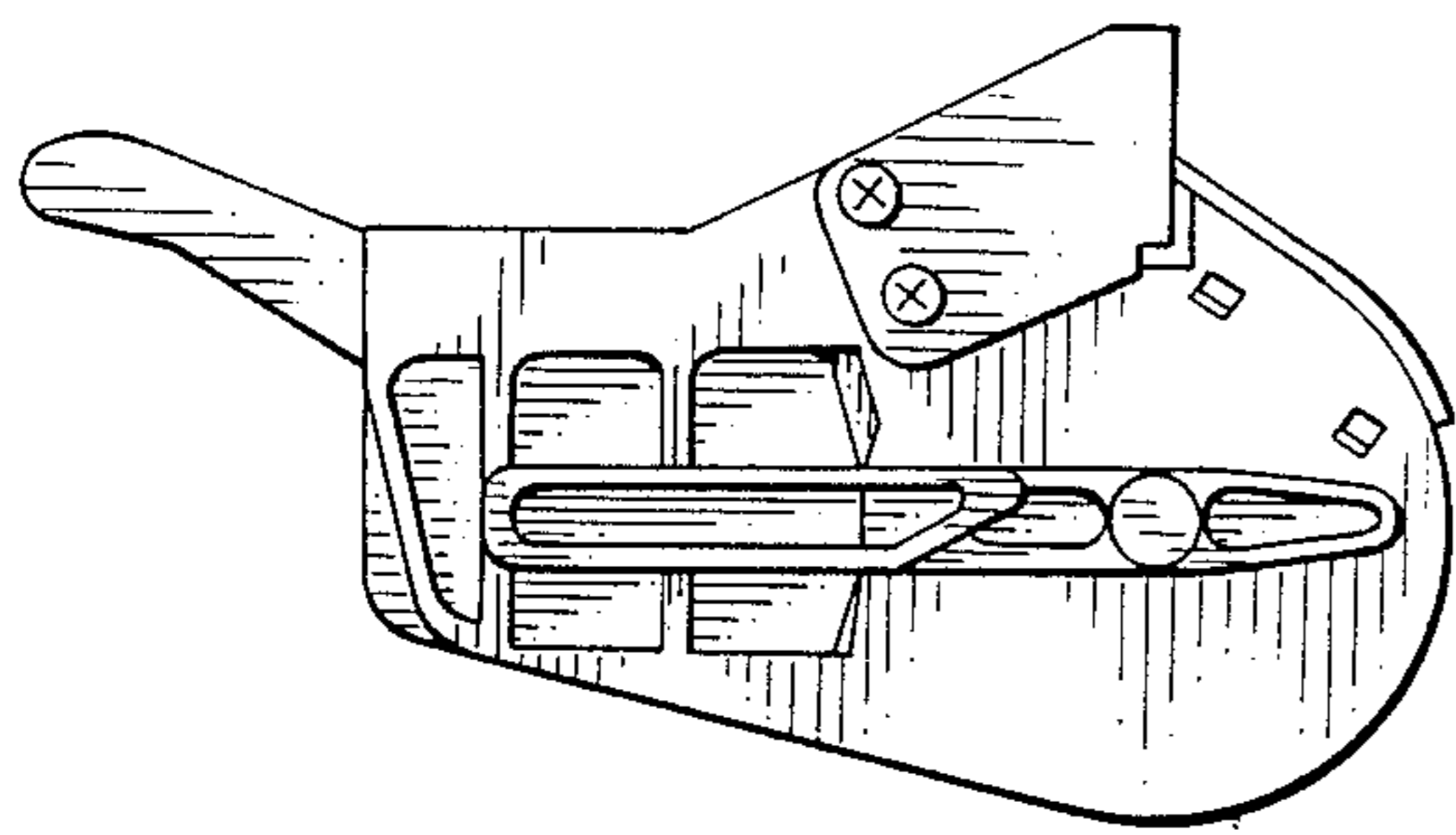


FIG. 5

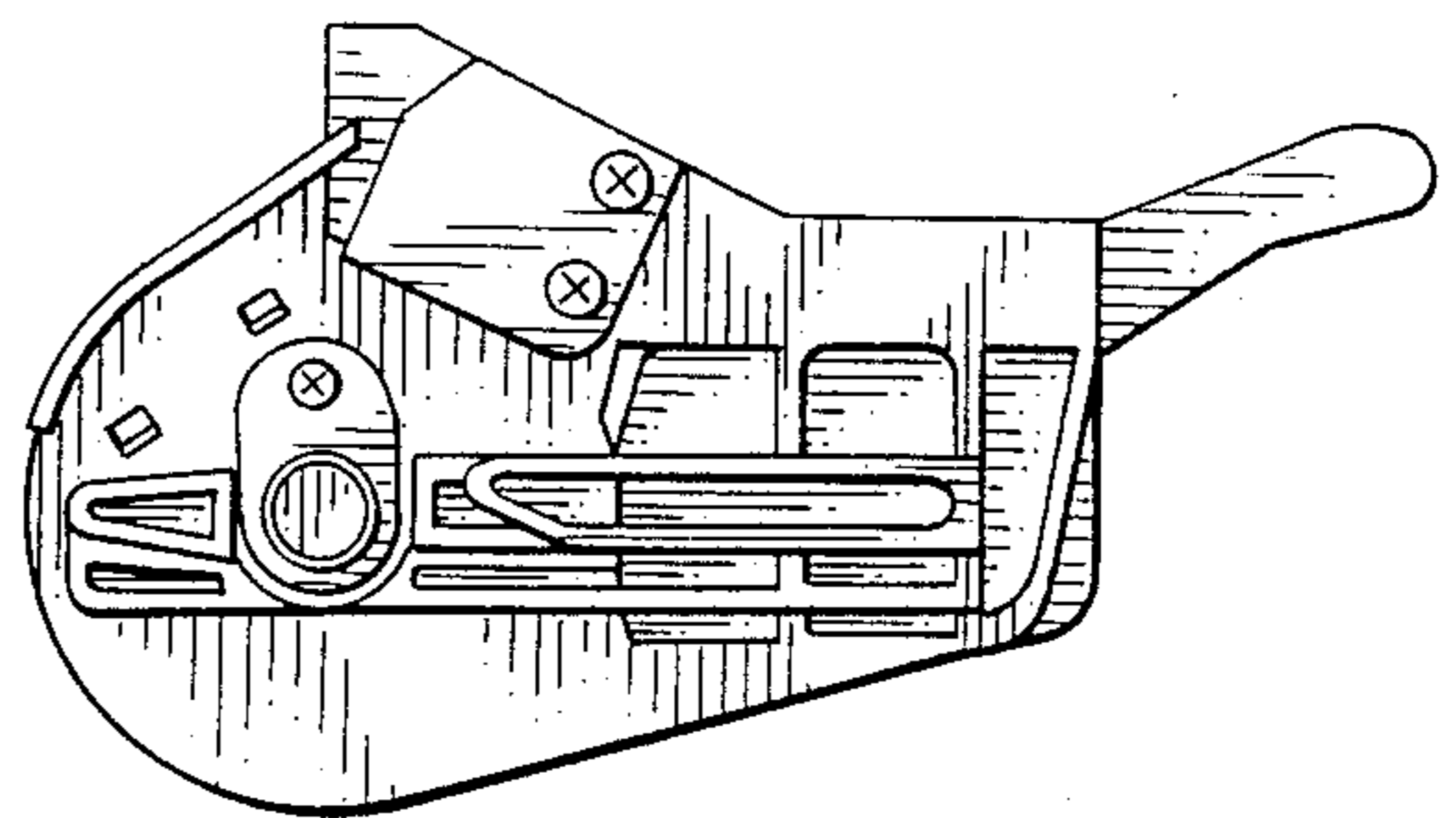


FIG. 6

FIG. 7

