

[54] COMBINED FOLDING BINOCULARS AND AM/FM RADIO

[76] Inventor: Lu Huang C., 7F-10, No. 311, Chung Hsiao E. Rd., Sec. 4, Taipei, Taiwan

[\*\*] Term: 14 Years

[21] Appl. No.: 82,068

[22] Filed: Aug. 5, 1987

[52] U.S. Cl. .... D16/133

[58] Field of Search ..... D14/188, 189, 197, 198, D14/168, 165; D16/133; 455/351, 95, 66, 231; 350/547, 581, 546, 548

[56] References Cited

U.S. PATENT DOCUMENTS

D. 106,310	10/1937	Ludovici	.....	D16/133
D. 206,462	12/1966	Petrusek	.....	D14/168
D. 256,362	8/1980	Taguchi et al.	.....	D14/198
D. 257,974	1/1981	Houlihan	.....	D14/165
2,002,782	5/1935	Lester	.....	350/546
4,035,731	7/1977	Dixon	.....	455/351

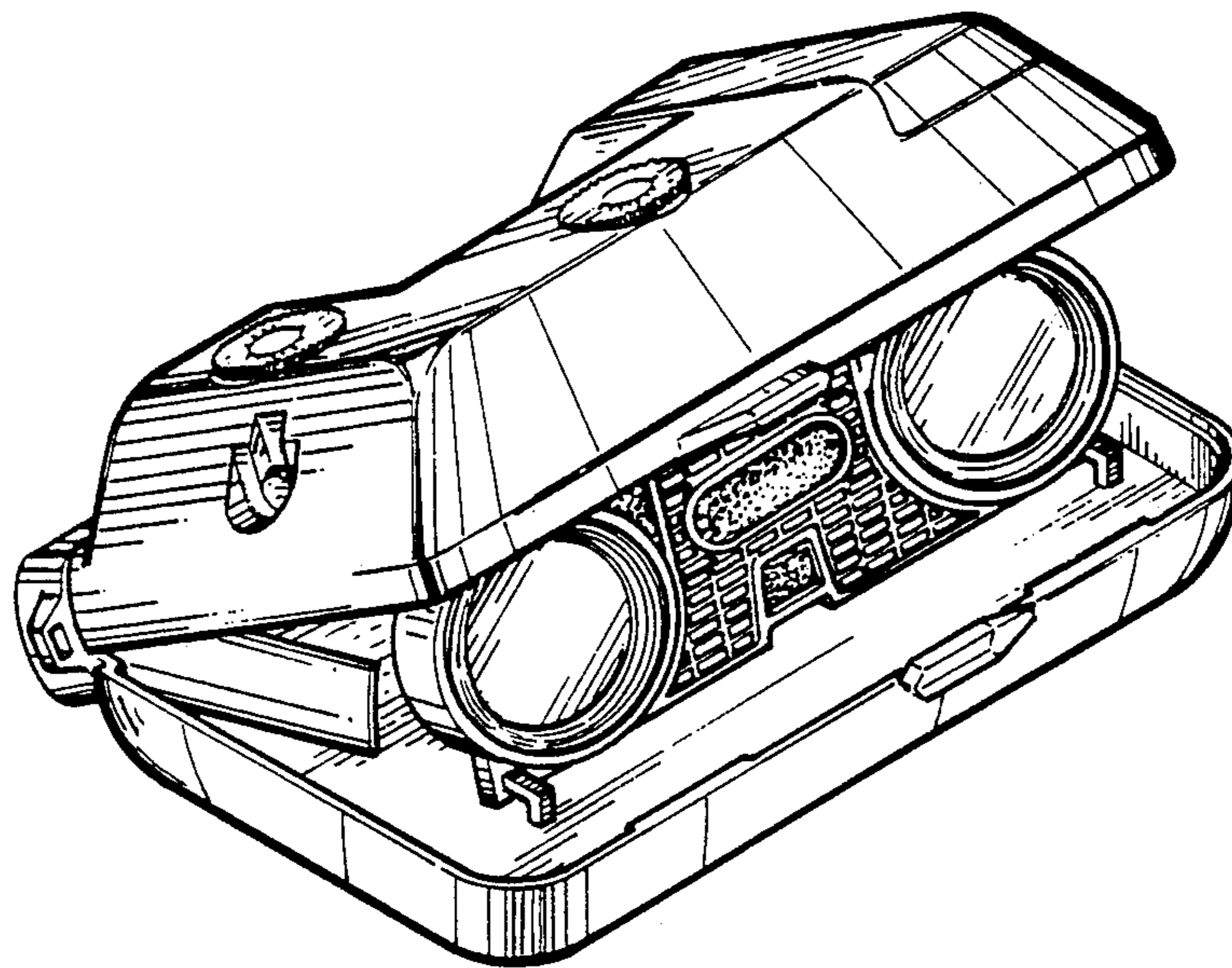
Primary Examiner—A. Hugo Word  
Assistant Examiner—Doris V. Coles  
Attorney, Agent, or Firm—Ostrolenk, Faber, Gerb & Soffen

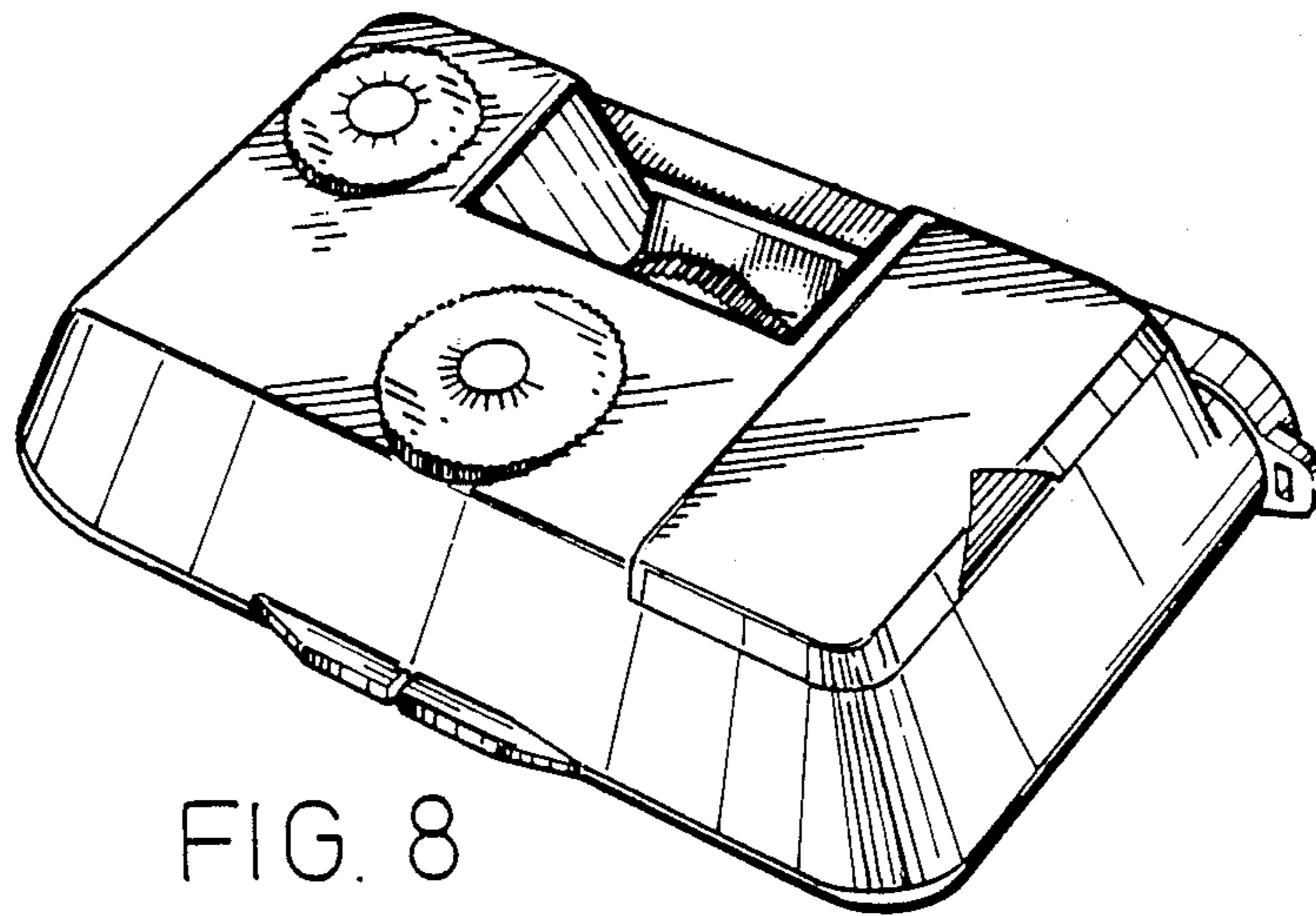
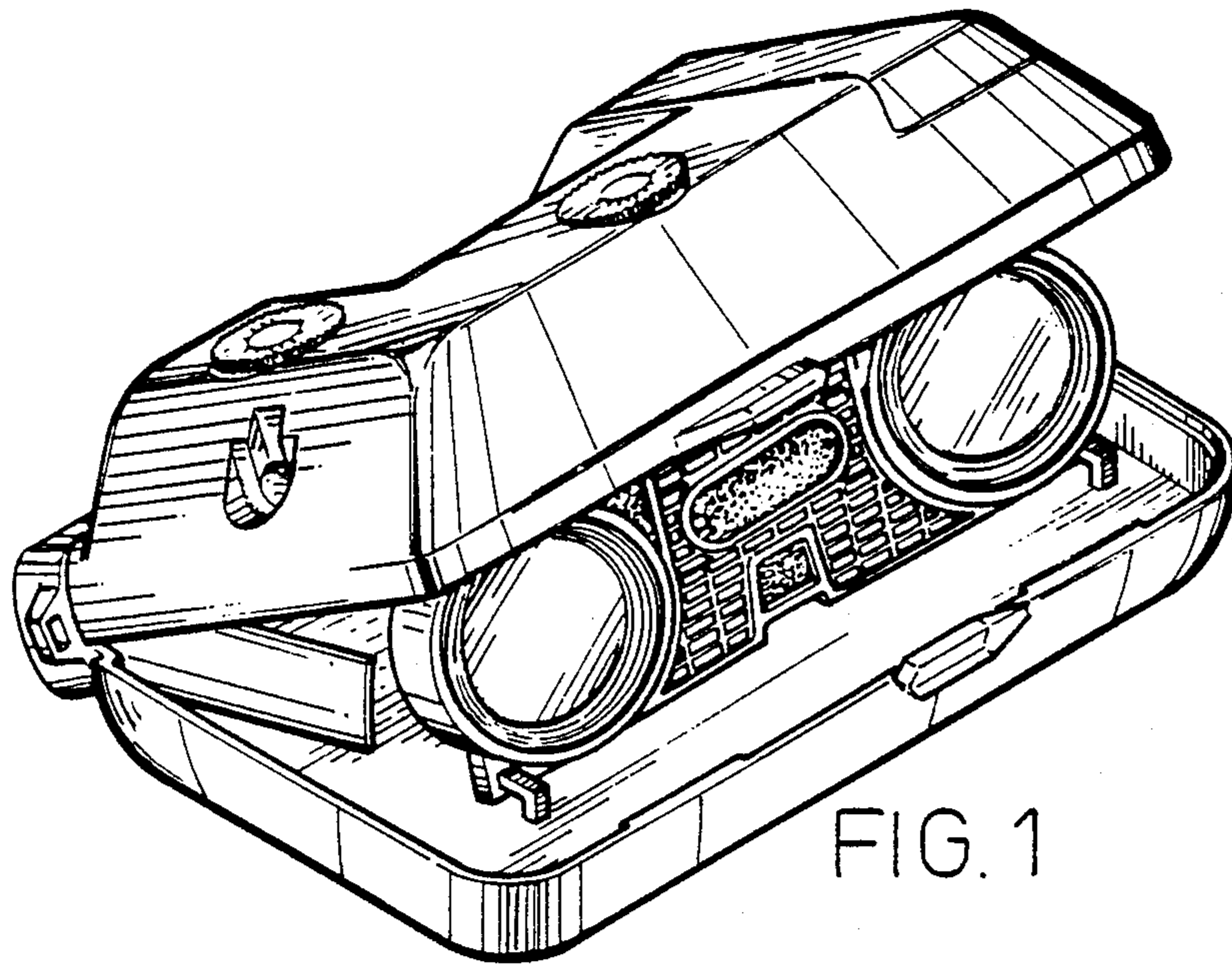
[57] CLAIM

The ornamental design for a combined folding binoculars and AM/FM radio, as shown and described.

DESCRIPTION

FIG. 1 is a top perspective view of combined folding binoculars and AM/FM radio, in open position, showing my new design;  
FIG. 2 is a front elevational view thereof;  
FIG. 3 is a rear elevational view thereof;  
FIG. 4 is a left side elevational view thereof;  
FIG. 5 is a right side elevational view thereof;  
FIG. 6 is a top plan view thereof;  
FIG. 7 is a bottom plan view thereof; and  
FIG. 8 is a top perspective view of the combined folding binoculars and AM/FM radio, shown in the closed position.





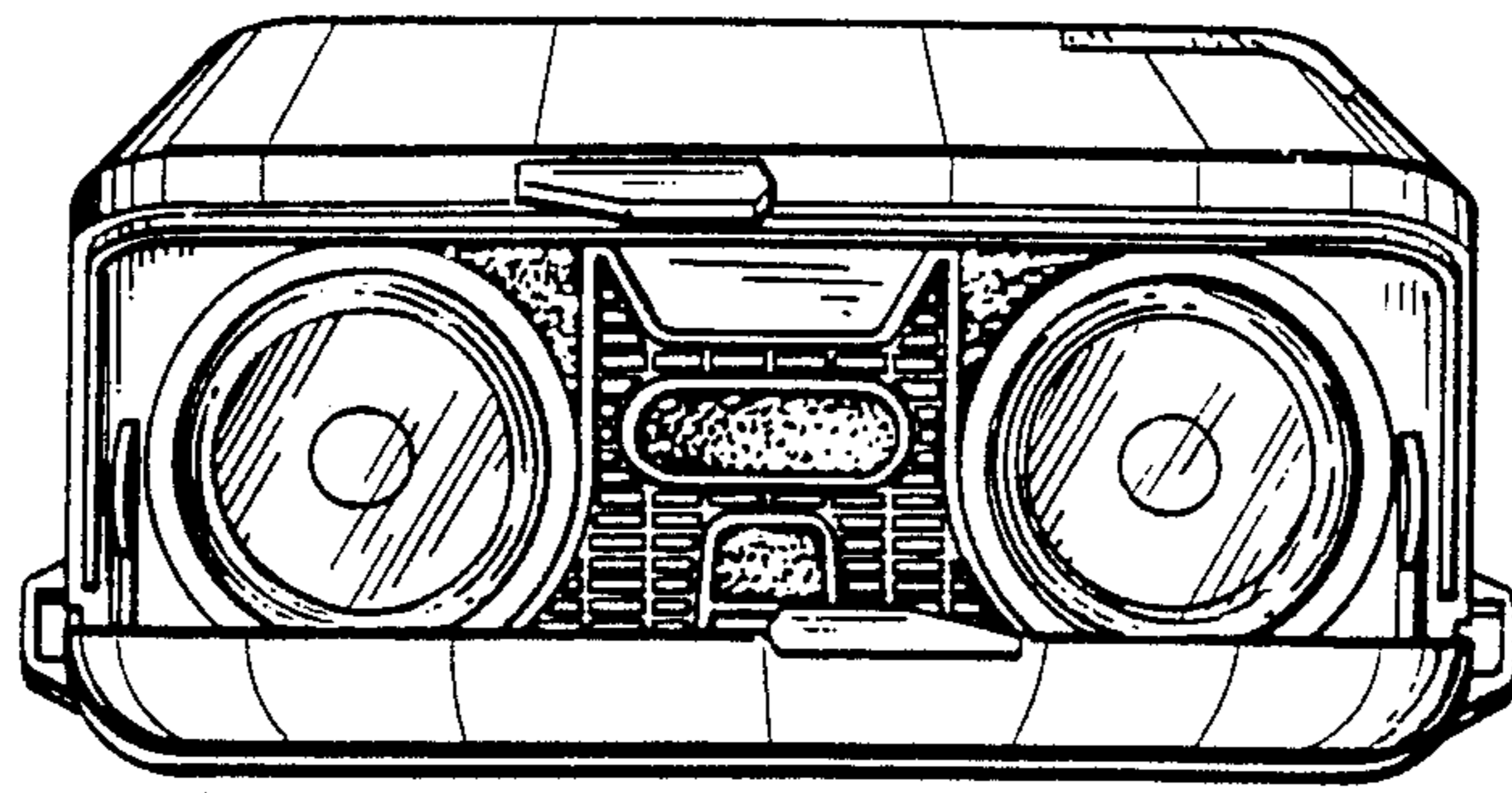


FIG. 2

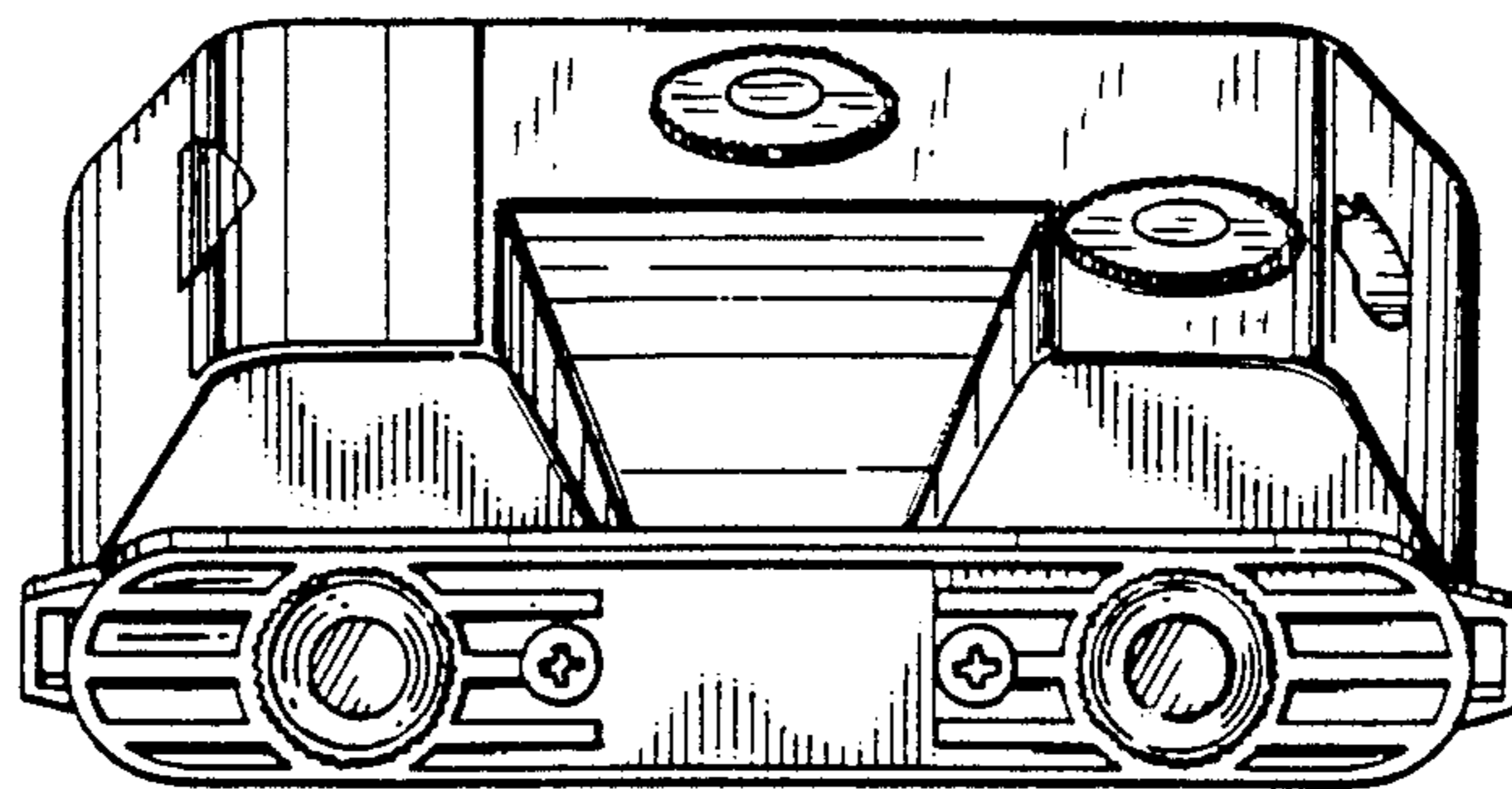


FIG. 3

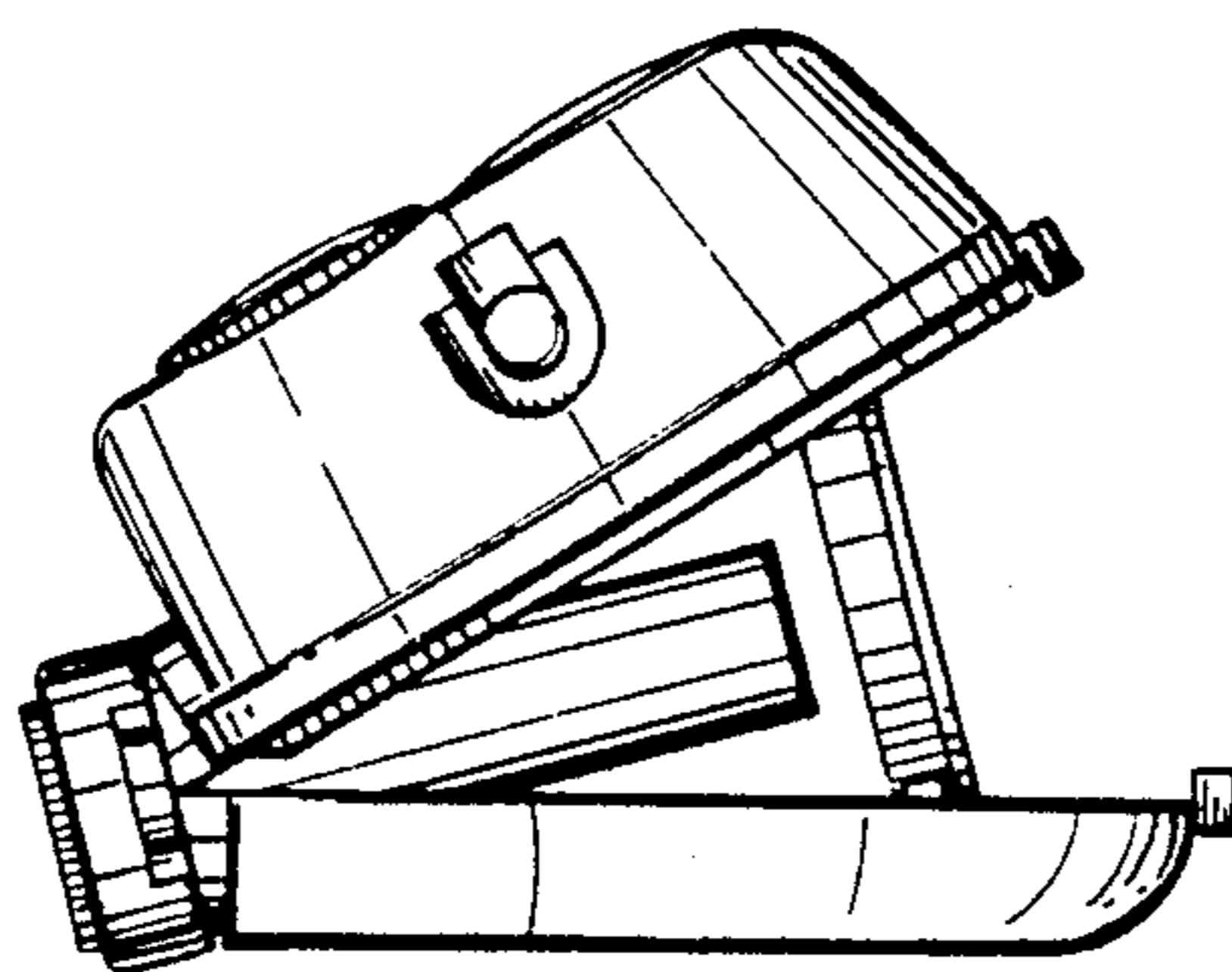


FIG. 4

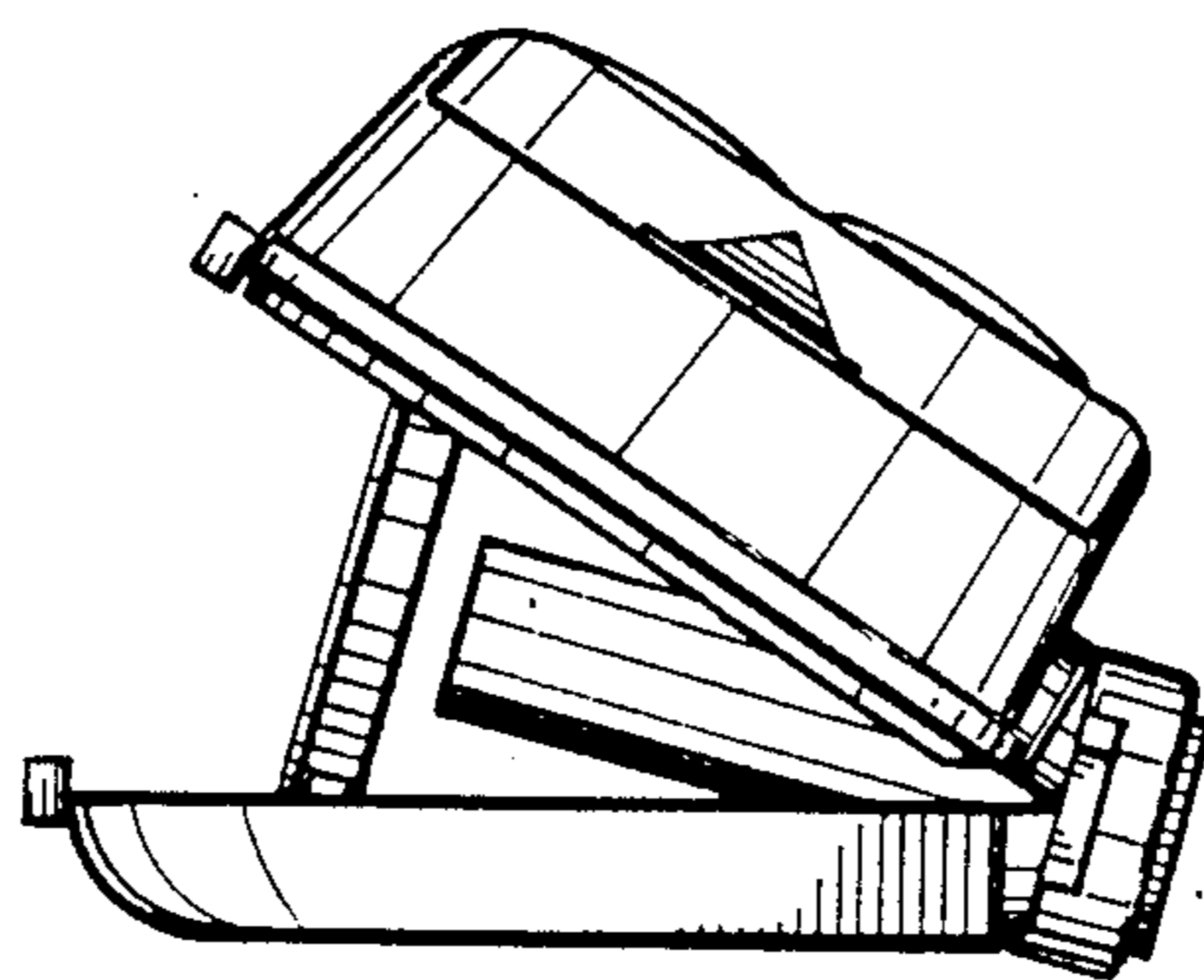


FIG. 5

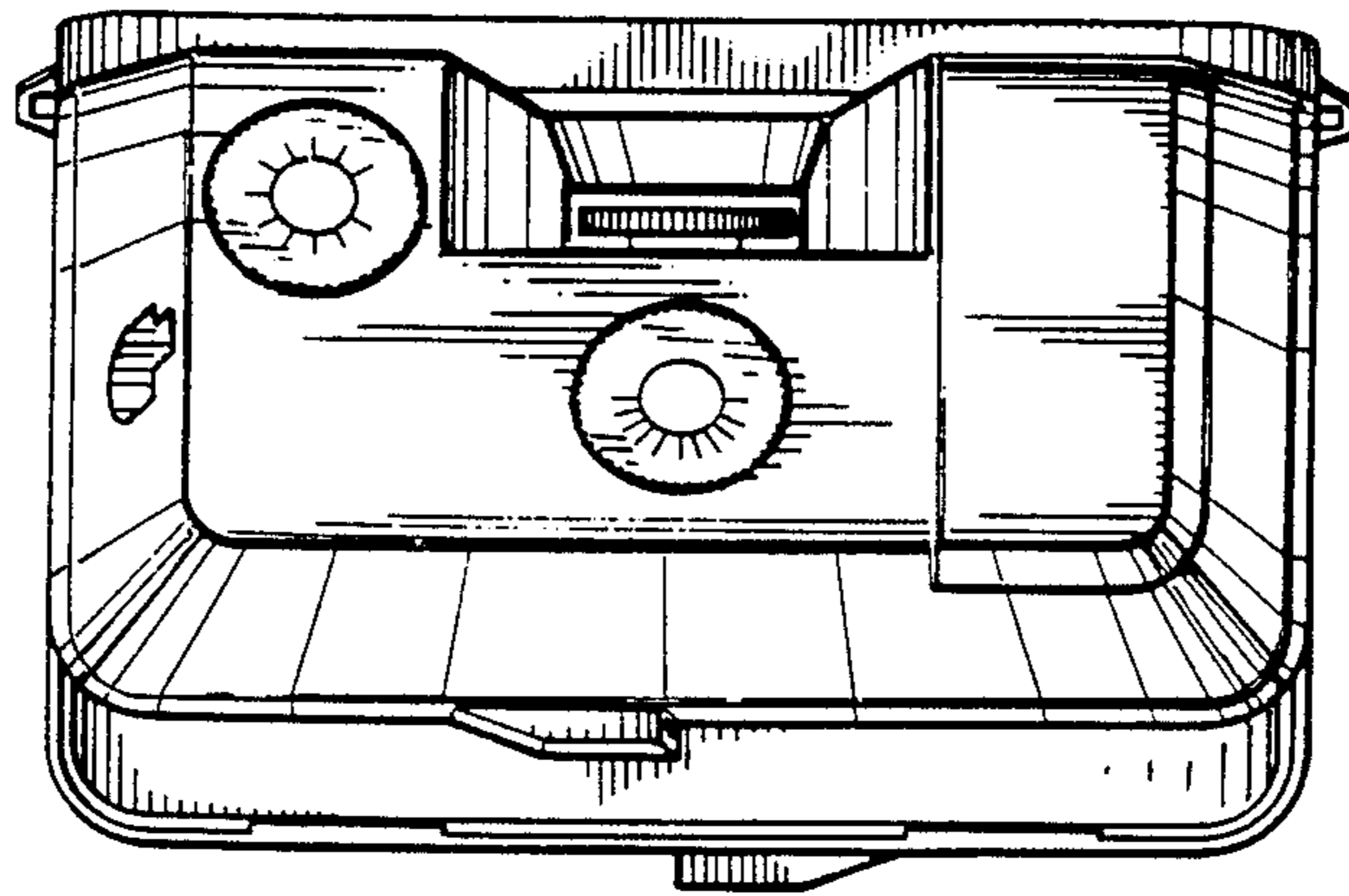


FIG. 6

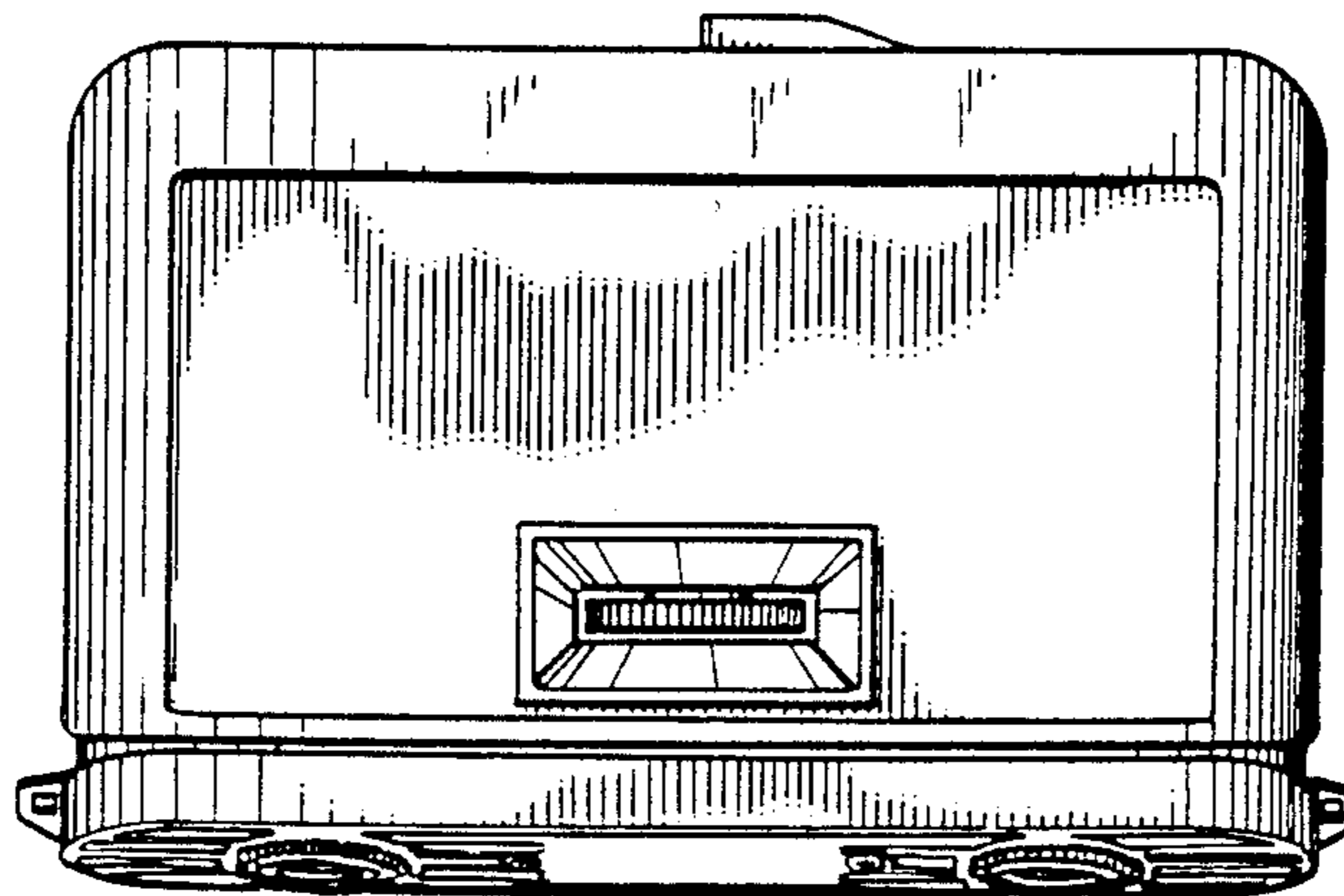


FIG. 7