

[54] SCREW CHUCK

[76] Inventor: Jerry Glaser, 8341 Delgany Ave.,  
Playa Del Rey, Calif. 90293

[\*\*] Term: 14 Years

[21] Appl. No.: 207,448

[22] Filed: Jun. 16, 1988

[52] U.S. Cl. .... D15/140; D15/130;  
82/50; 142/53

[58] Field of Search ..... D15/138, 139, 140;  
D8/70, 107; 142/53; 82/150

[56] References Cited

U.S. PATENT DOCUMENTS

D. 212,447	10/1968	Kaser	.....	D15/140
268,393	12/1882	Evans	.....	142/53
1,878,690	9/1932	Forney	.....	82/150
3,091,474	5/1963	Boutros et al.	.....	D15/140
4,702,132	10/1987	Grosse	.....	142/53

FOREIGN PATENT DOCUMENTS

597197	1/1948	United Kingdom	.....	82/150
--------	--------	----------------	-------	--------

Primary Examiner—Nelson C. Holtje

Assistant Examiner—Jeffrey Asch  
Attorney, Agent, or Firm—Charles H. Schwartz;  
Ellsworth R. Roston

[57] CLAIM

The ornamental design for a screw chuck, as shown and described.

DESCRIPTION

FIG. 1 is a front, top and left side perspective view of a screw chuck showing my new design;  
 FIG. 2 is a front elevational view thereof;  
 FIG. 3 is a rear elevational view thereof;  
 FIG. 4 is a top plan view thereof;  
 FIG. 5 is a right side elevational view, the bottom and left side being identical in appearance thereto;  
 FIG. 6 is a front, top, and left side perspective view of the screw chuck of FIG. 1, in an alternate position for use;  
 FIG. 7 is a front elevational view thereof;  
 FIG. 8 is a rear elevational view thereof;  
 FIG. 9 is a top plan view thereof;  
 FIG. 10 is a right side elevational view, the bottom and left side being identical in appearance thereto; and  
 FIG. 11 is a perspective view thereof, exploded for convenience of illustration.

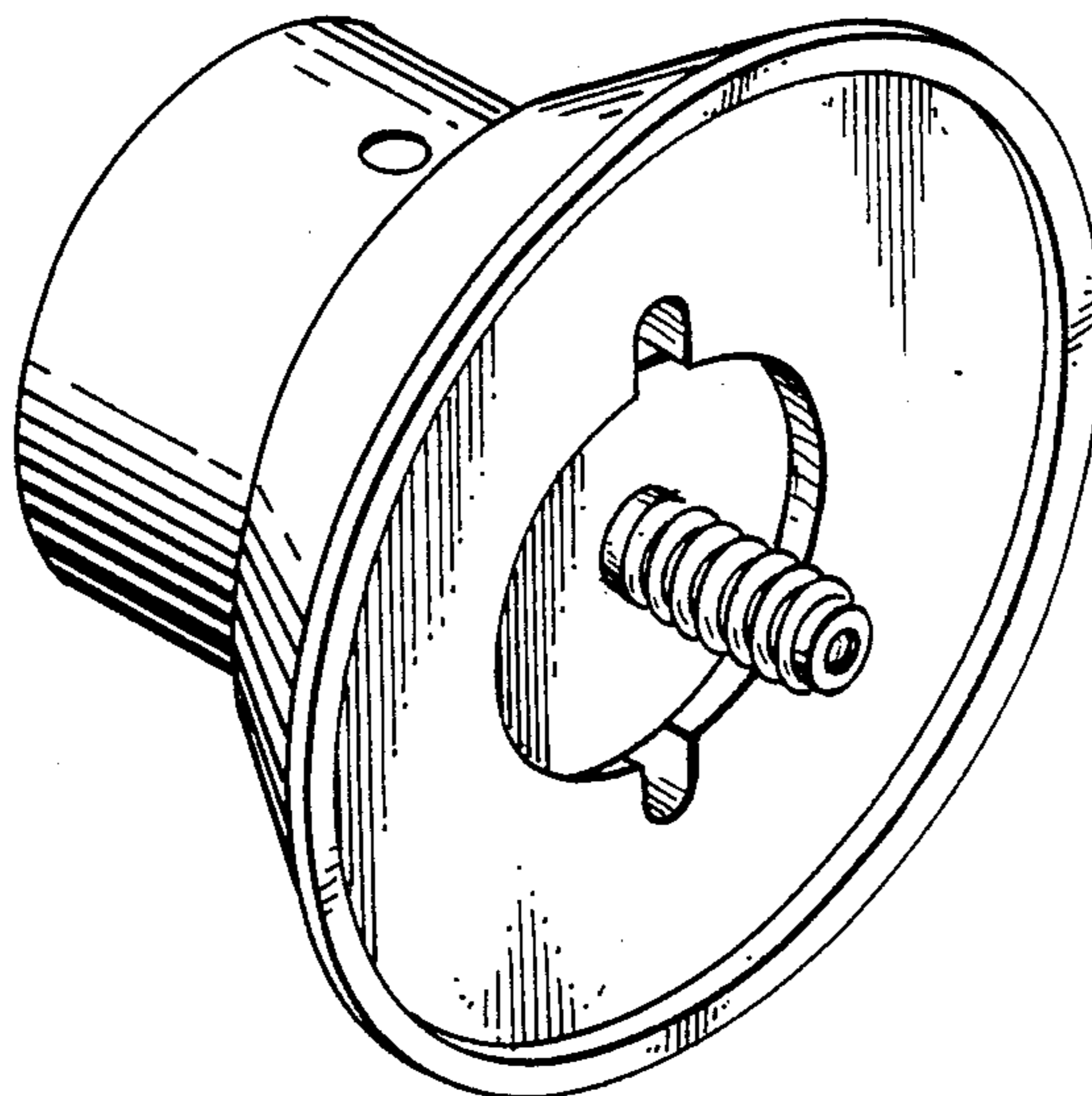


FIG. 1

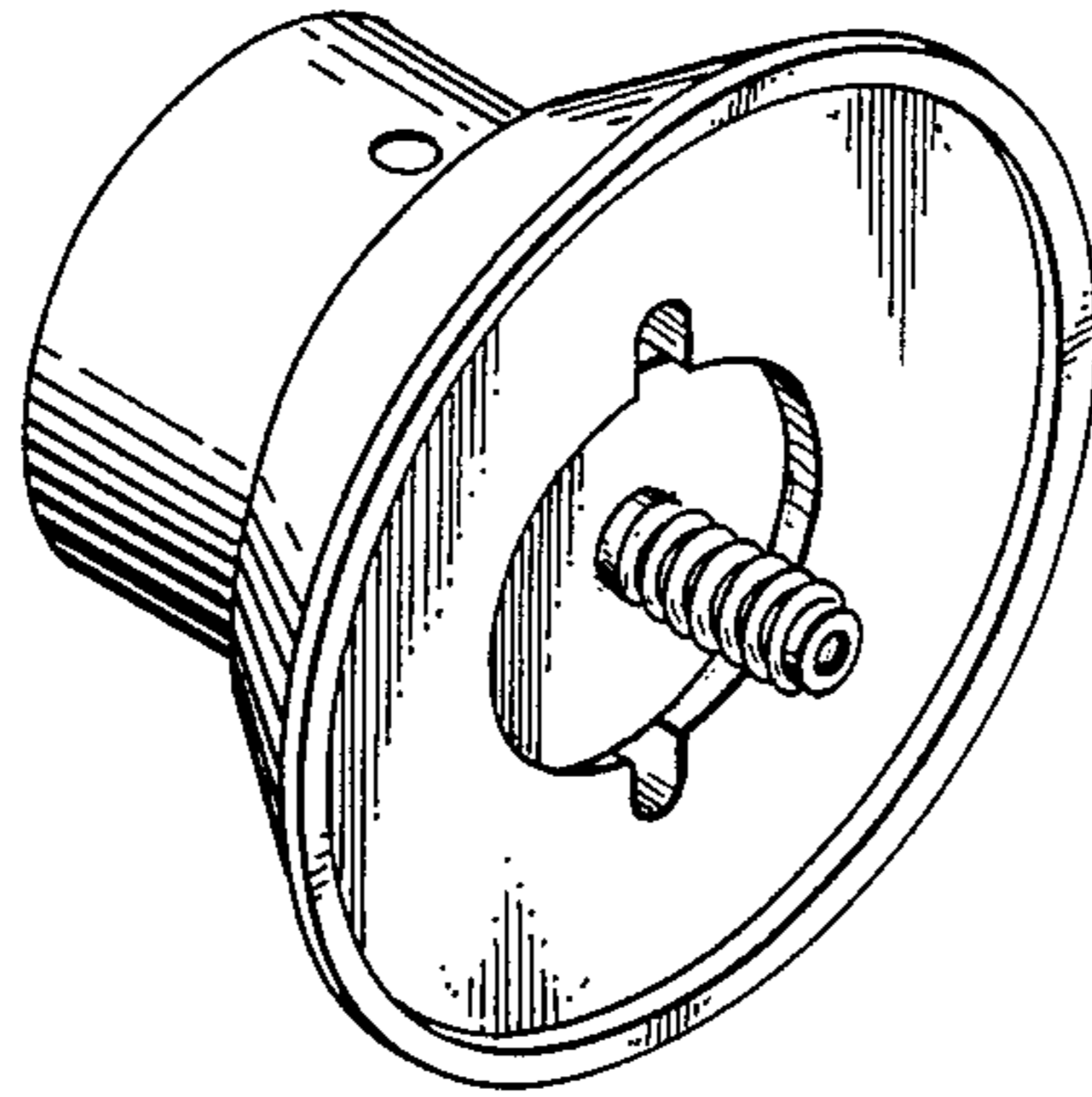


FIG. 2

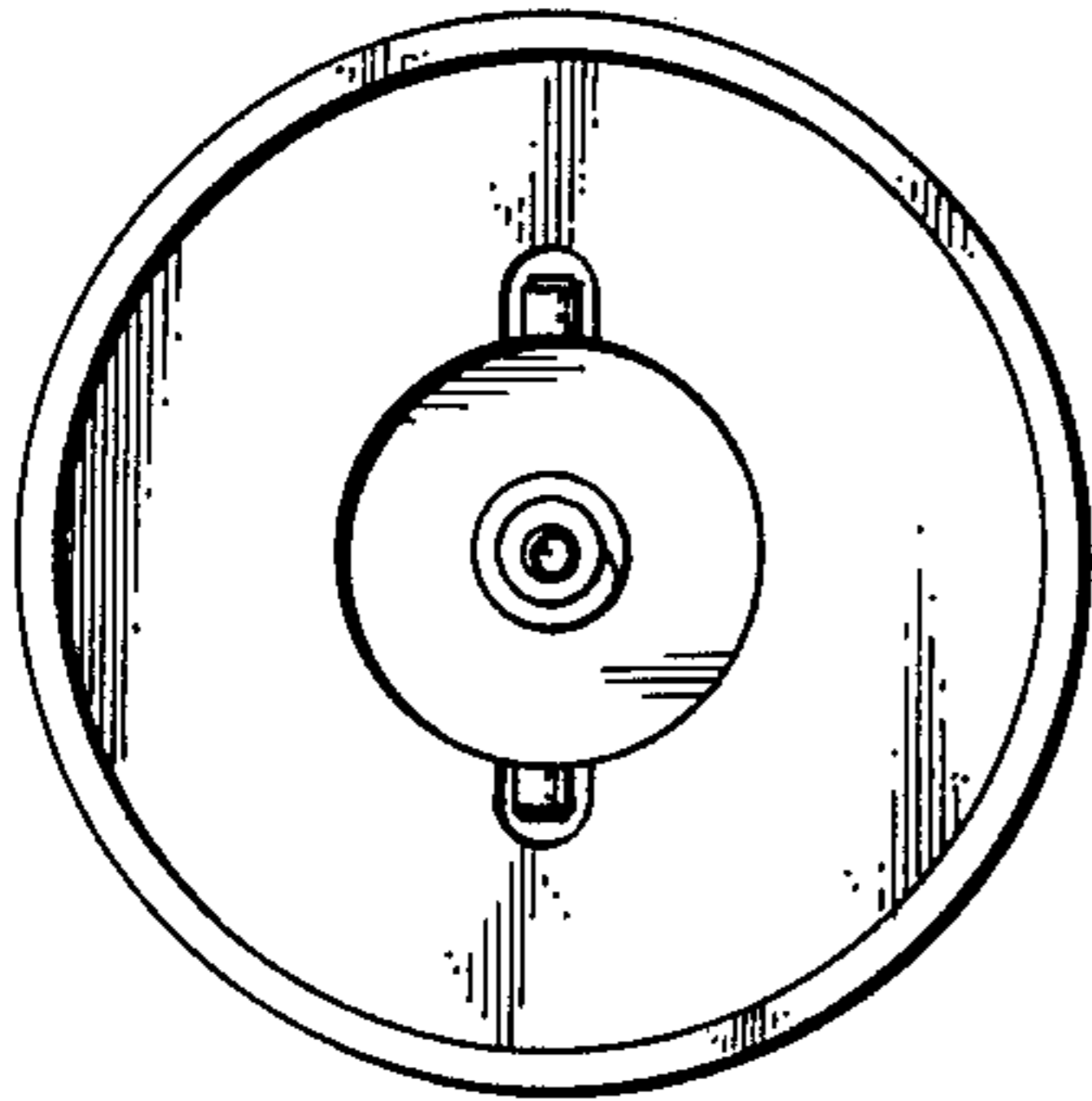


FIG. 3

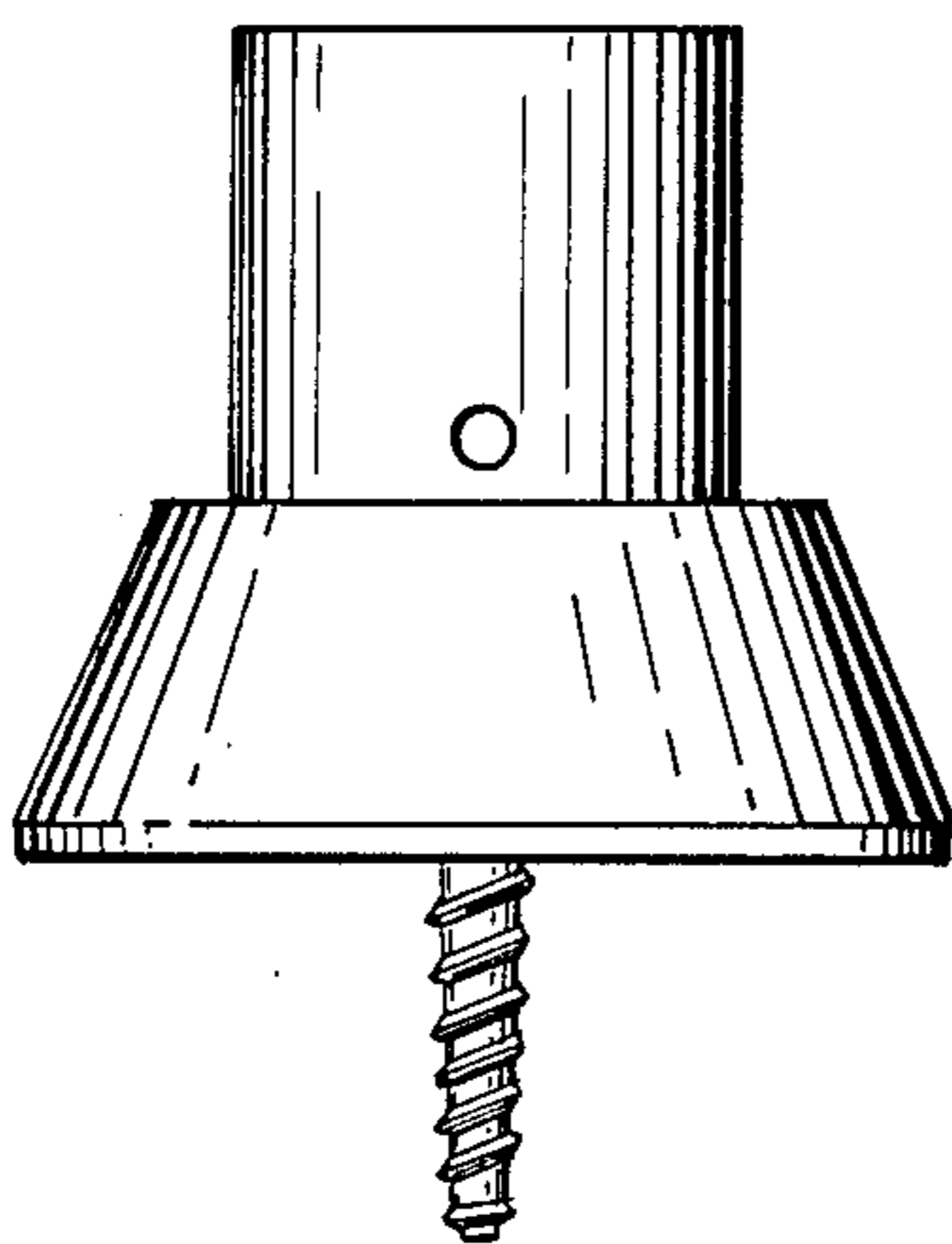
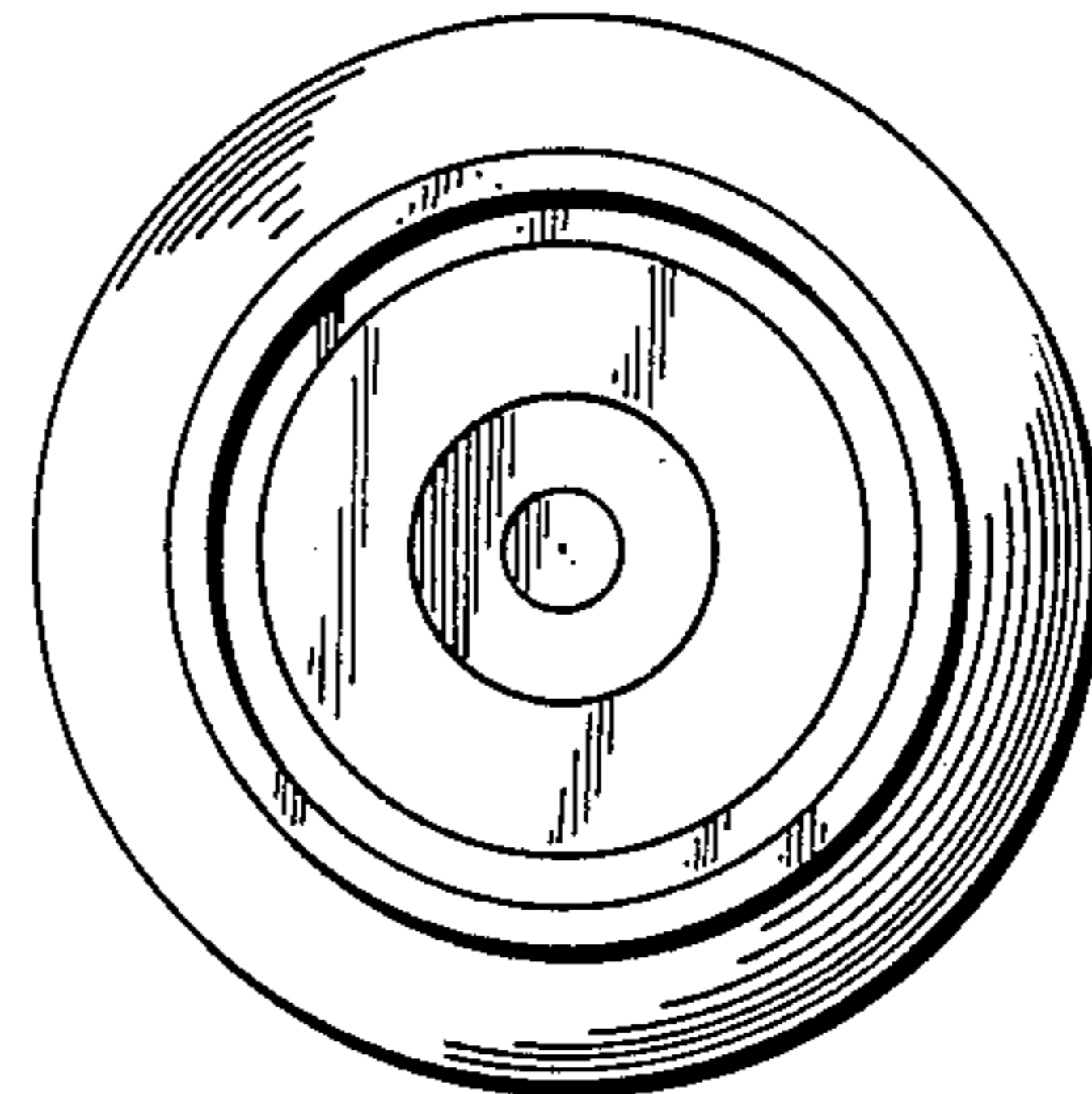


FIG. 4

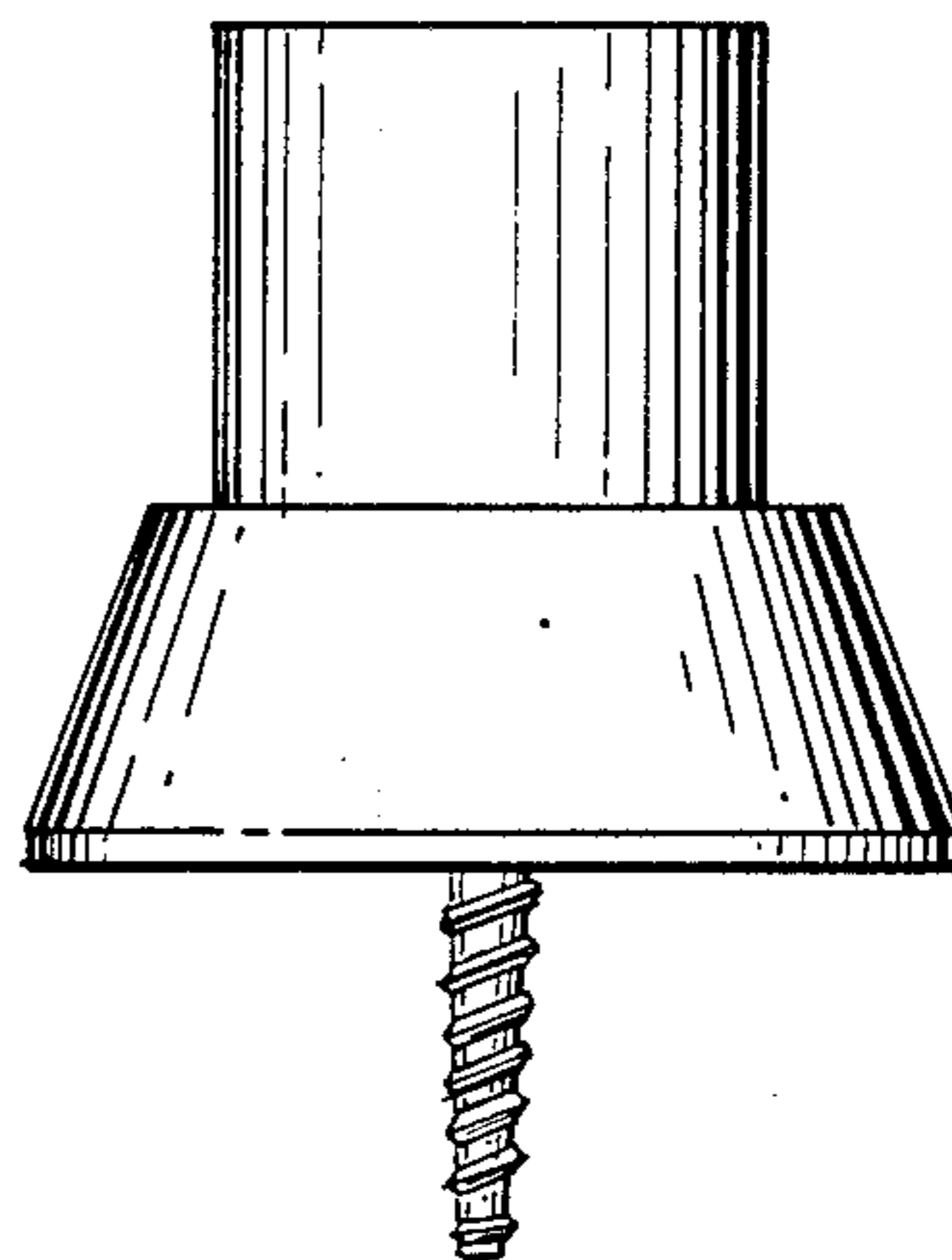


FIG. 5

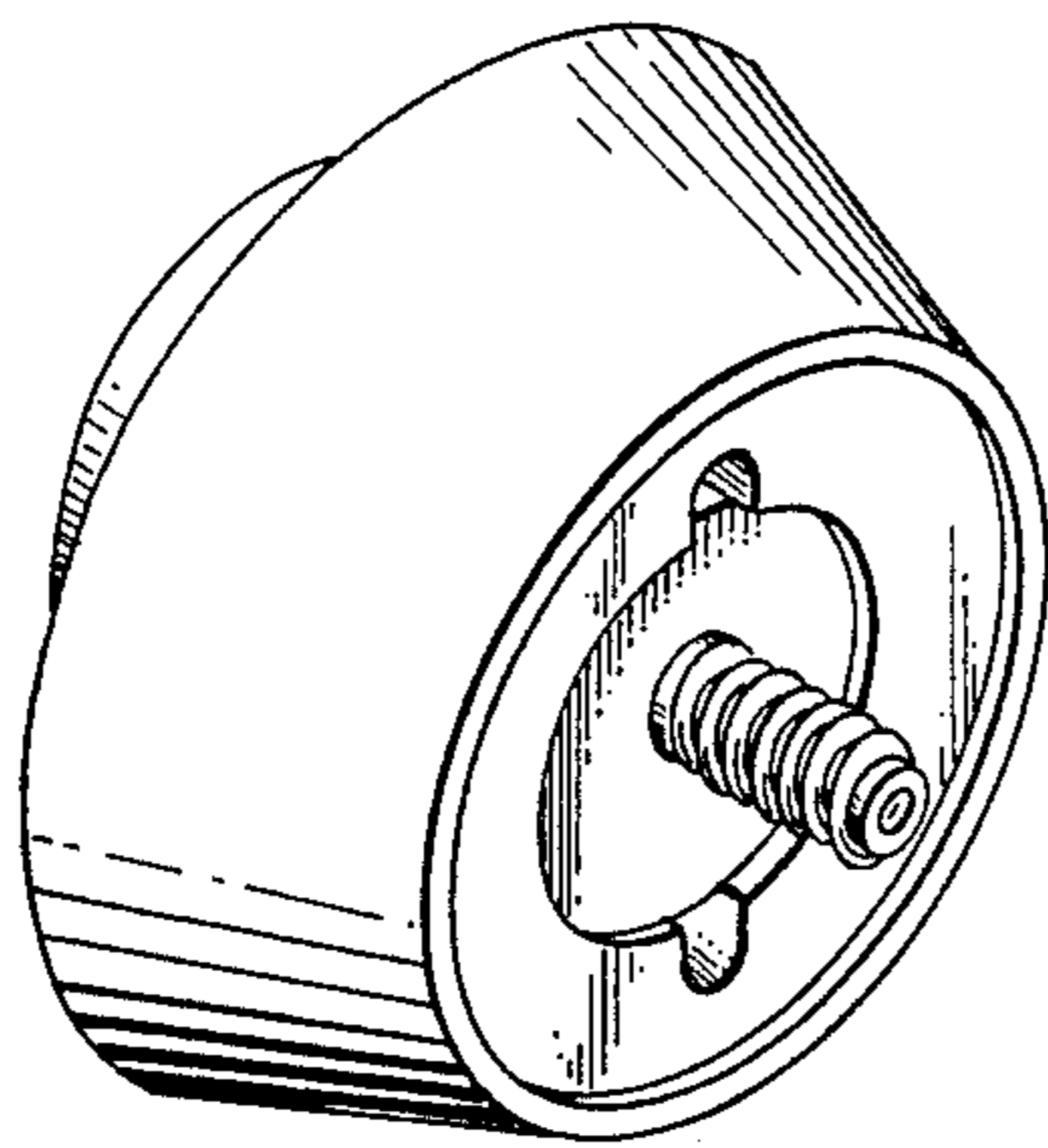


FIG. 6

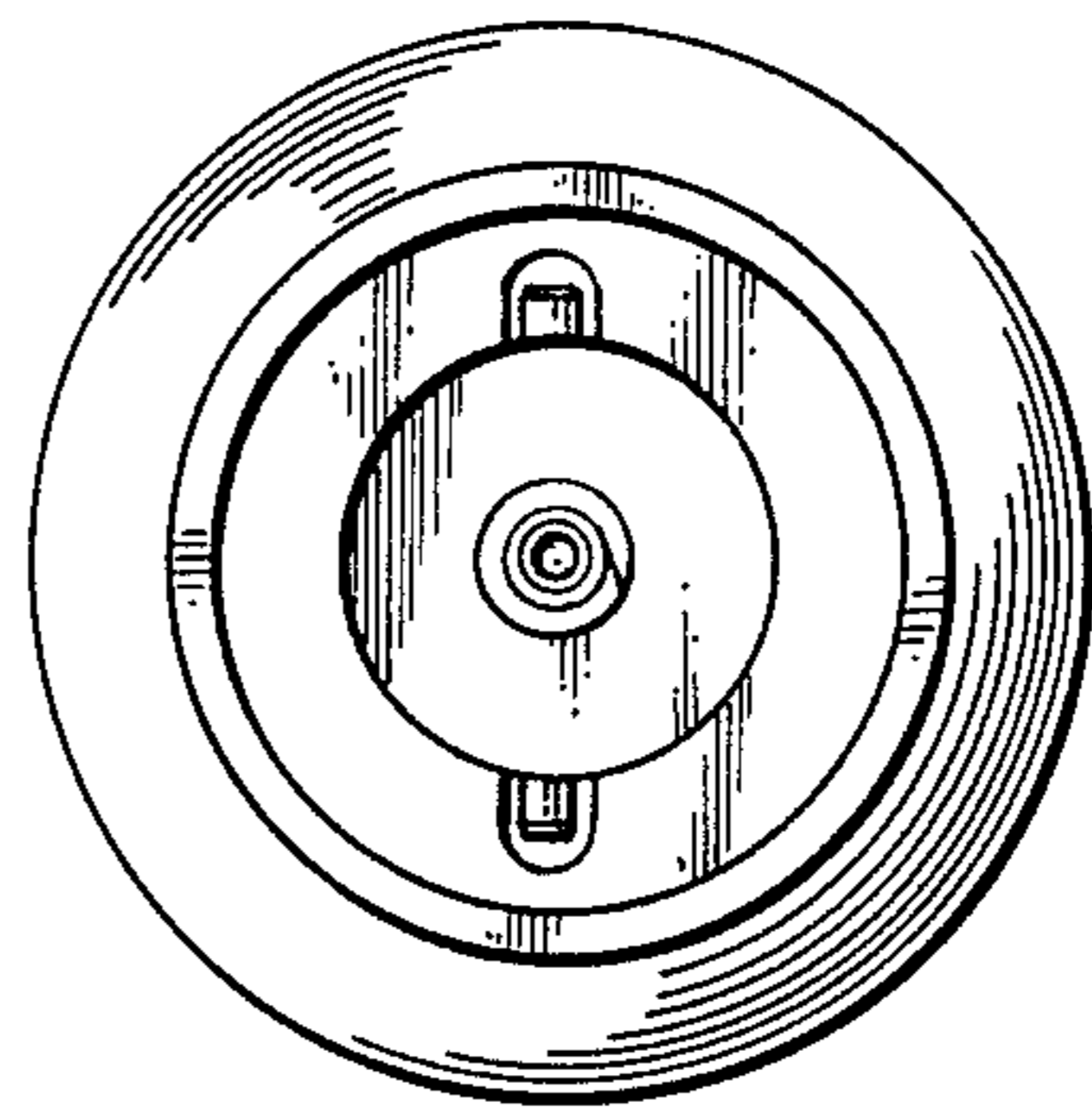


FIG. 7

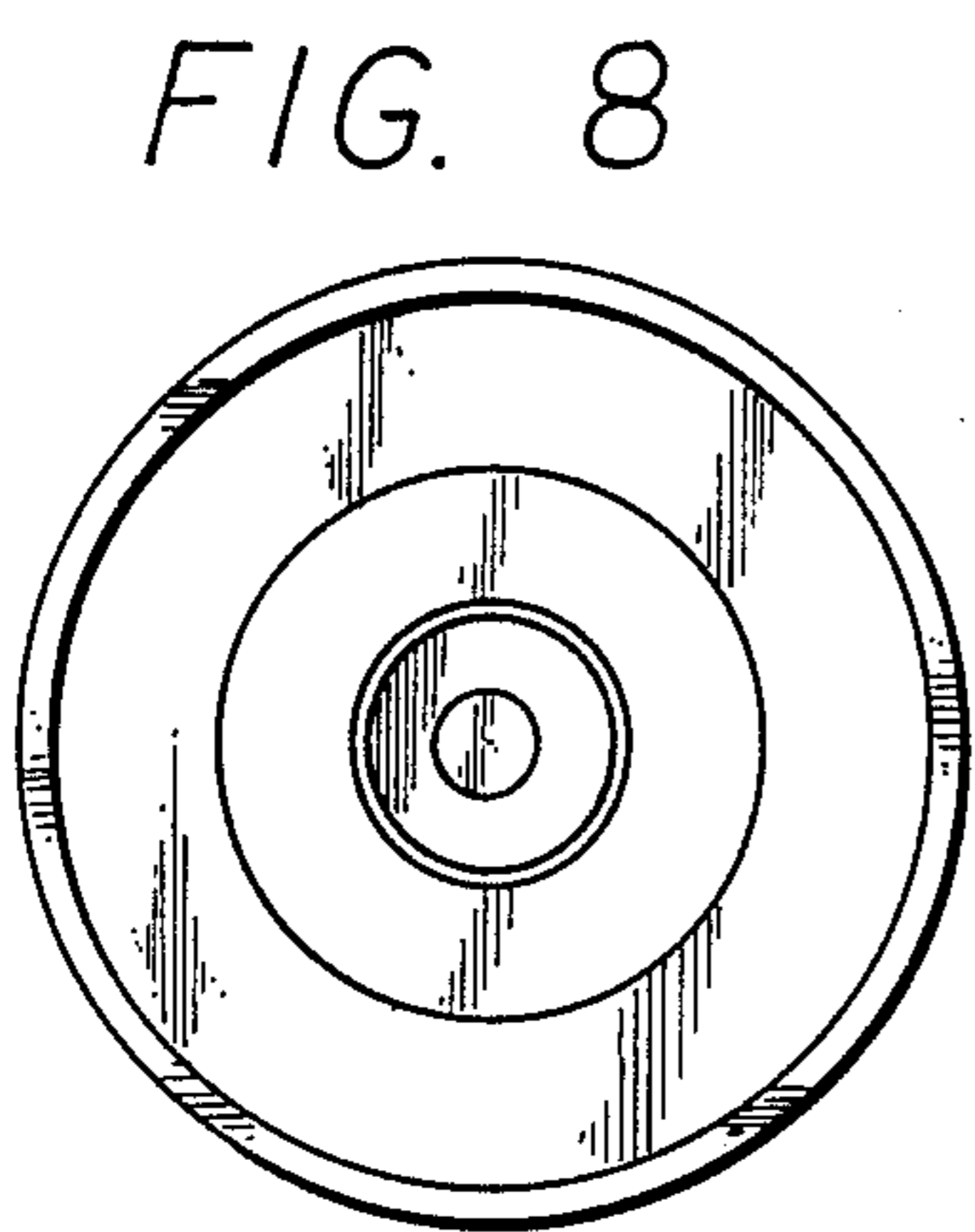


FIG. 8

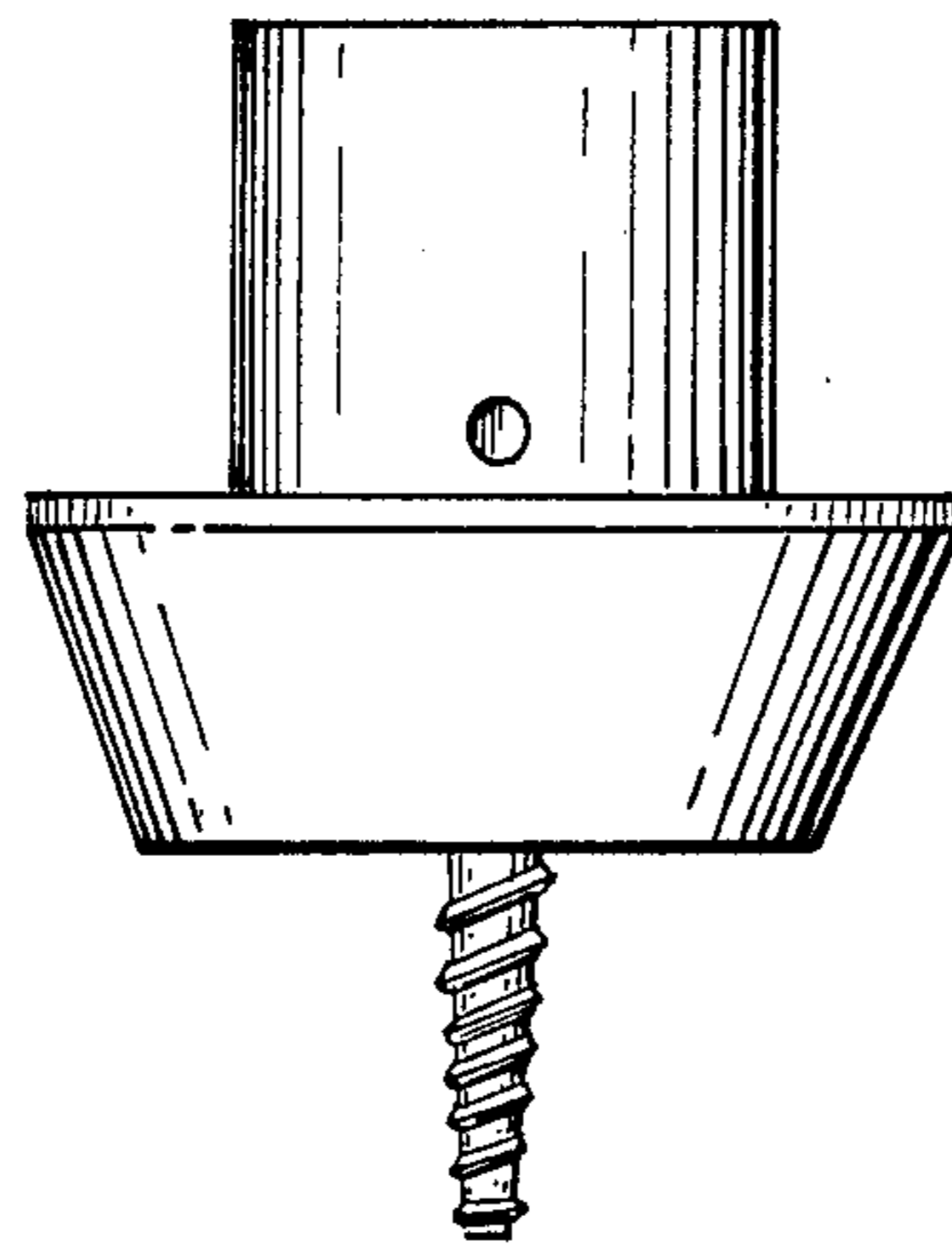


FIG. 9

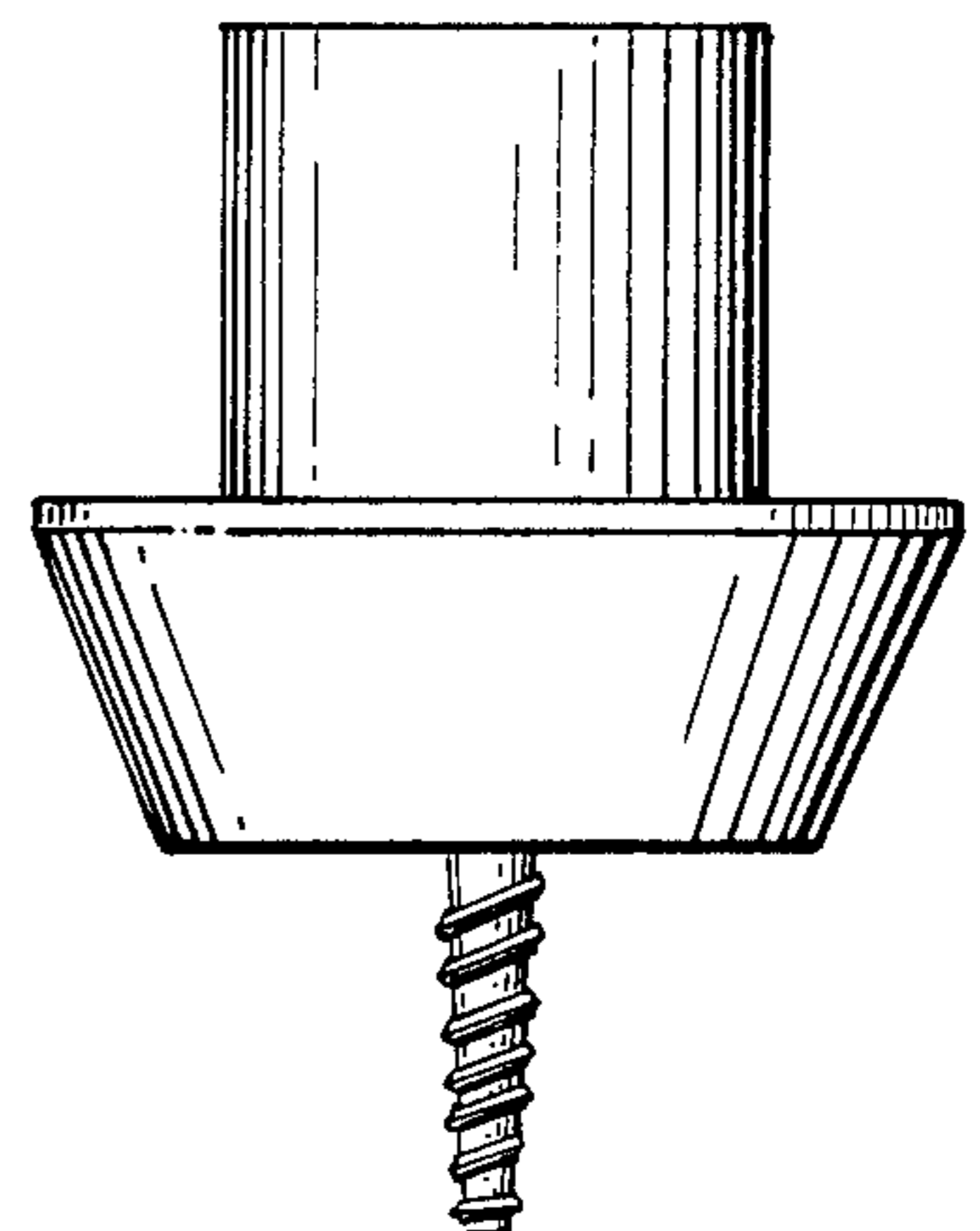


FIG. 10

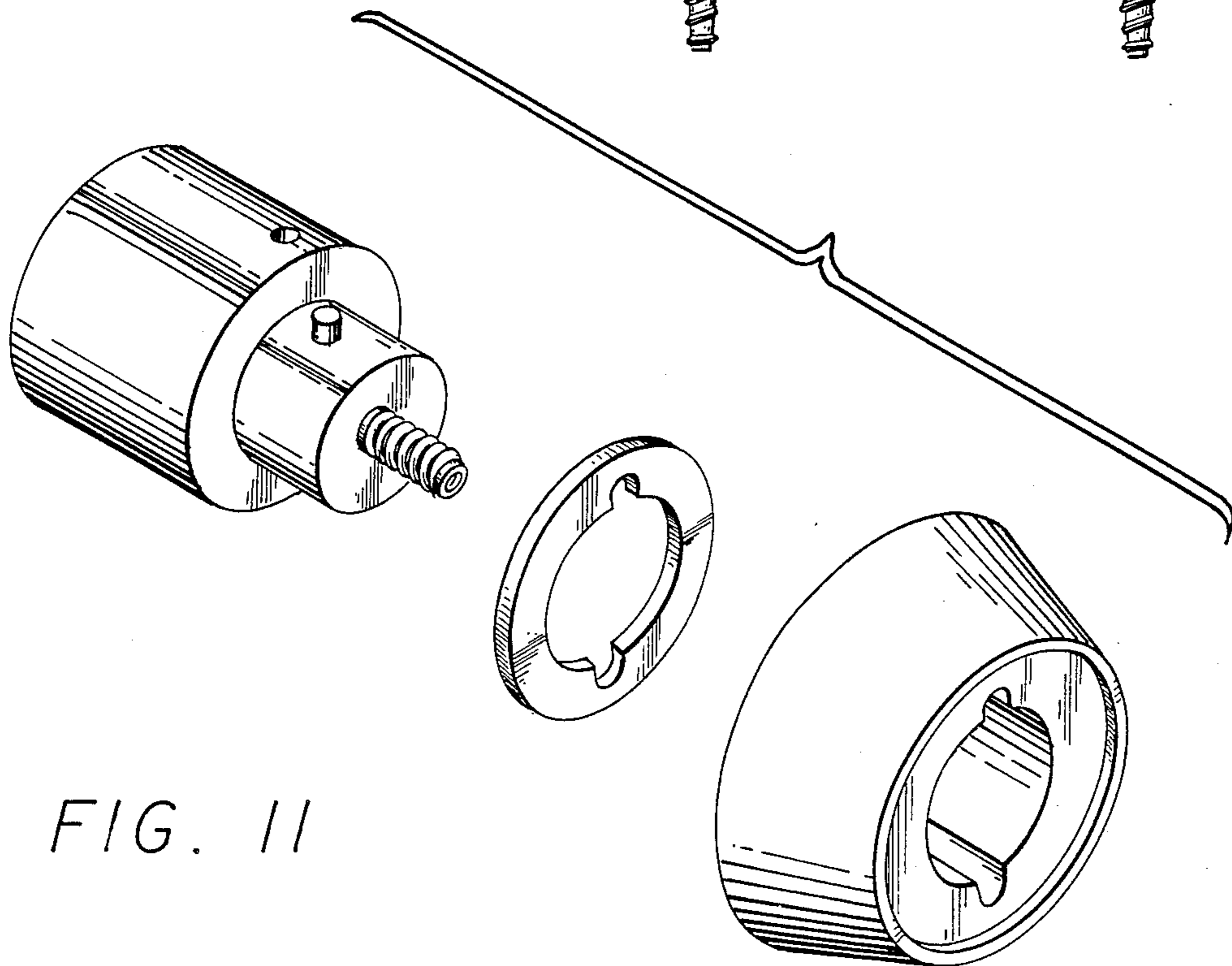


FIG. 11