

[54] WINDSHIELD MOUNT RADIO ANTENNA

[75] Inventor: Jack W. Sheriff, La Jolla, Calif.

[73] Assignee: Modublox & Co., Inc., La Jolla, Calif.

[**] Term: 14 Years

[21] Appl. No.: 142,415

[22] Filed: Jan. 11, 1988

[52] U.S. Cl. D14/230; D14/238

[58] Field of Search D14/230-238,
D14/299; 343/713, 872, 866

[56] References Cited

U.S. PATENT DOCUMENTS

D. 104,382 5/1937 Schiffmann D14/234
2,250,387 7/1941 McDonald, Jr. 343/866 X

OTHER PUBLICATIONS

Radio Shack 1986 Catalog No. 393; p. 67; left center-Windshield Antenna:
Fordham 1986 Winter Special Catalog; p. 31; top right and bottom left-Digital Probes.

Primary Examiner—Theodore M. Shooman
Attorney, Agent, or Firm—Charmasson Henri J. A.

[57] CLAIM

The ornamental design for a windshield mount radio antenna, as shown and described.

DESCRIPTION

FIG. 1 is a top, front and right side perspective view of a windshield mount radio antenna showing my new design; and

FIG. 2 is a bottom, front and left side perspective view thereof, the rear being a mirror image of the front.

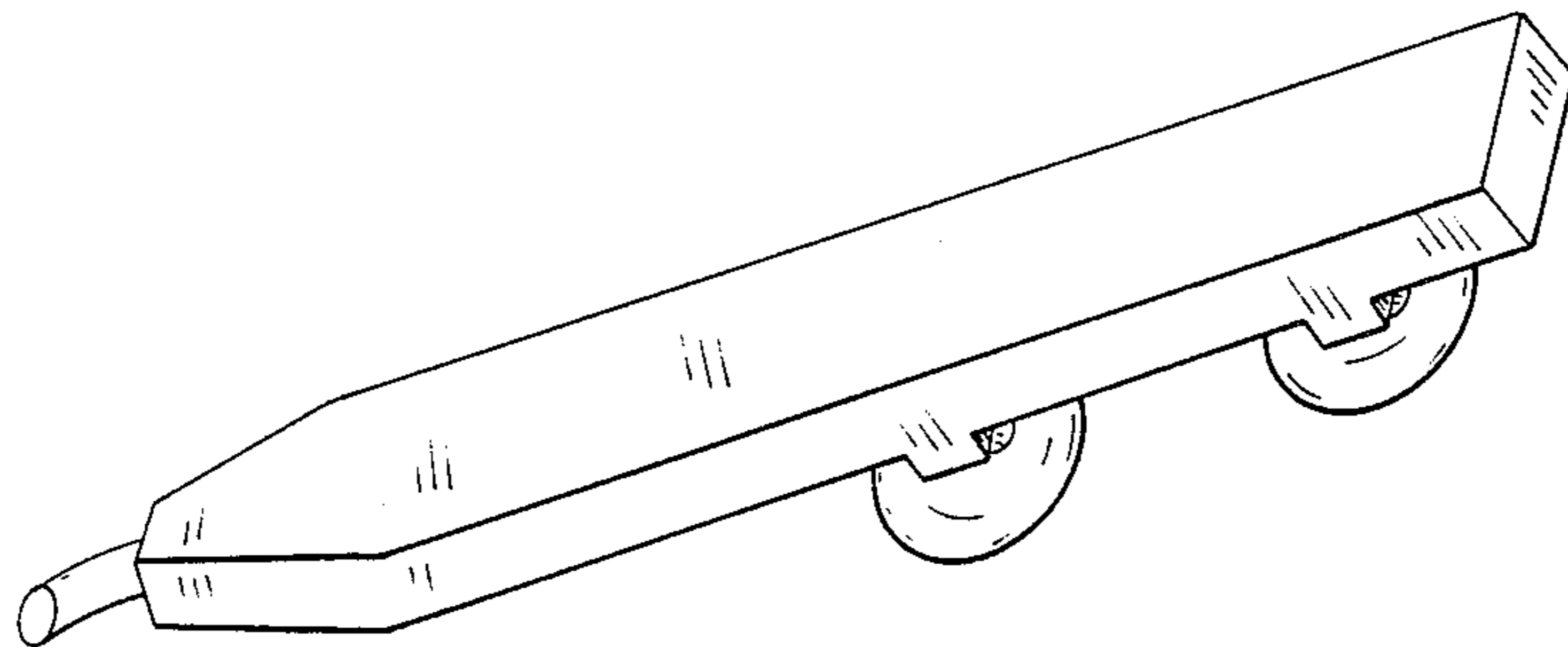


FIG. 1

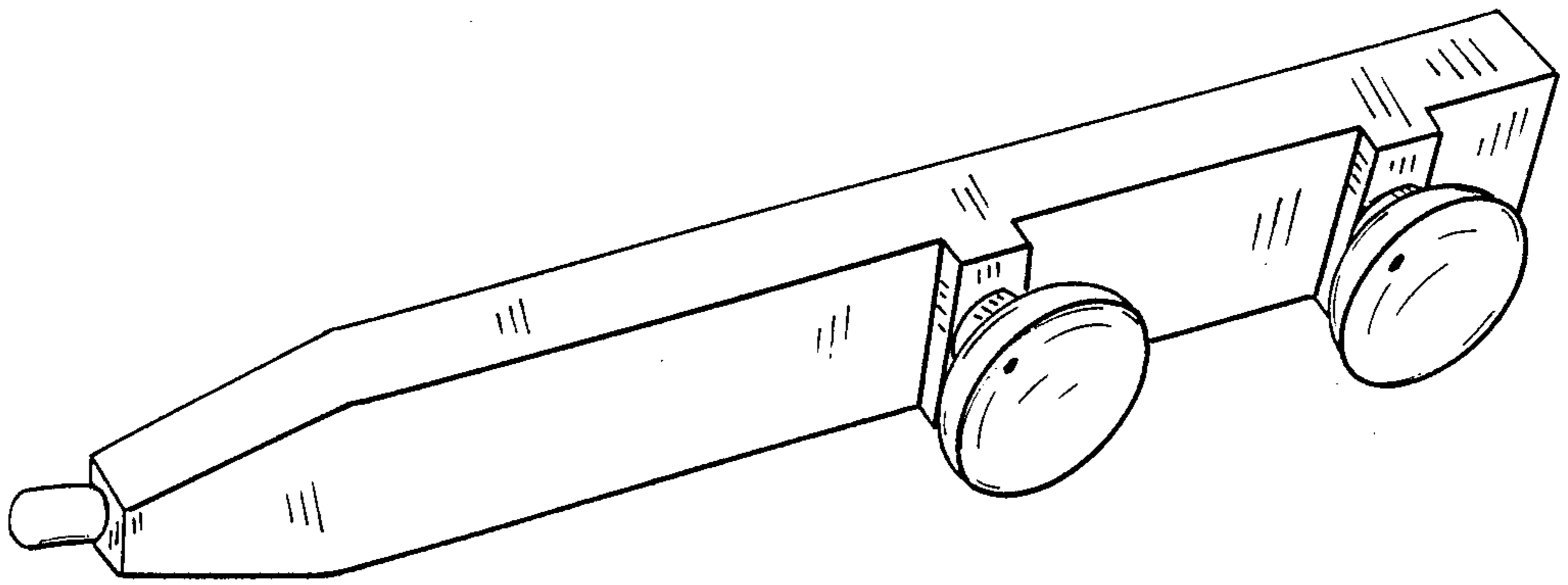
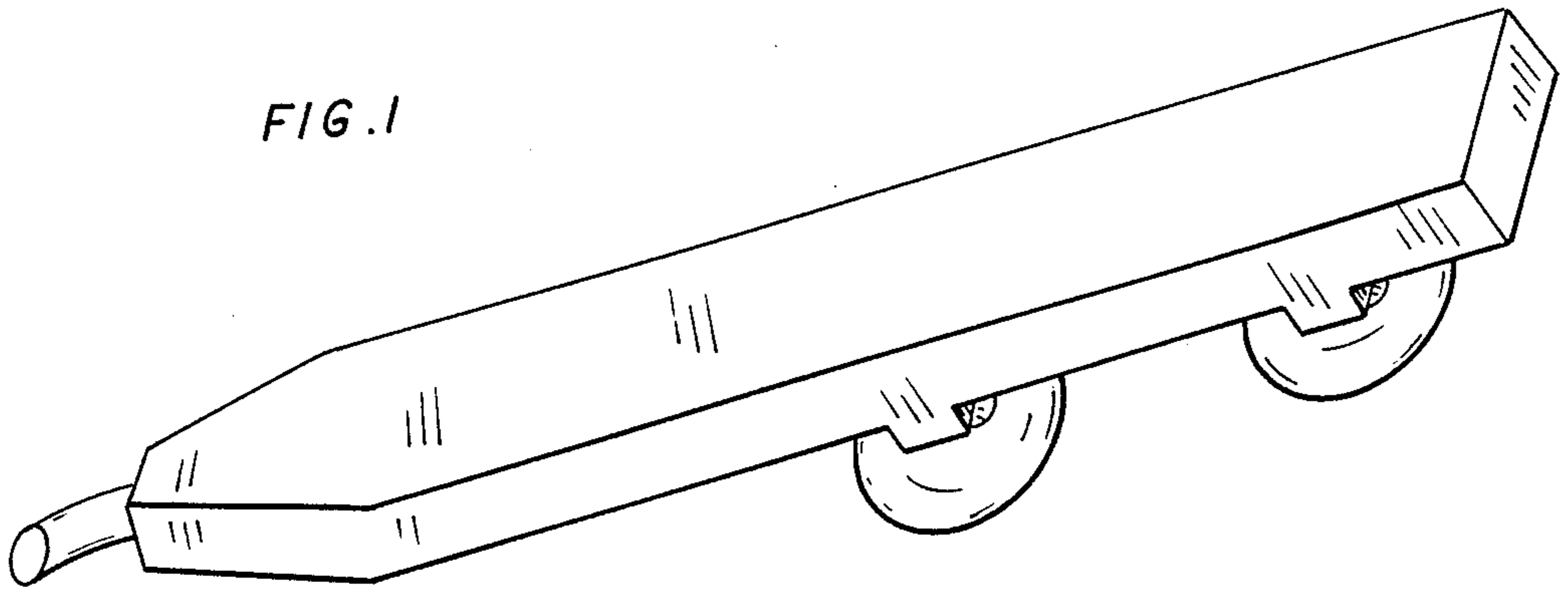


FIG. 2