

[54] COMBINED RADIO AND CASSETTE TAPE RECORDER

[75] Inventor: Kazuharu Yamamoto, Yokohama, Japan

[73] Assignee: Kabushiki Kaisha Toshiba, Kawasaki, Japan

[\*\*] Term: 14 Years

[21] Appl. No.: 193,642

[22] Filed: May 13, 1988

[30] Foreign Application Priority Data

Nov. 17, 1987 [JP] Japan ..... 62-46755
[52] U.S. CL. .... D14/163; D14/168
[58] Field of Search ..... D14/141, 160-168, D14/188-189, 191-192, 196, 199, 202, 299; 455/344, 350, 351

[56] References Cited

U.S. PATENT DOCUMENTS

D. 294,567 3/1988 Fujii ..... D14/163
D. 296,690 7/1988 Koo ..... D14/168 X
D. 297,833 9/1988 Kawabe et al. .... D14/163
D. 297,834 9/1988 Kawabe et al. .... D14/163

OTHER PUBLICATIONS

HFD; 06/01/87; p. 118; topright-Lloyd Model V501 Boombox CD Player.
HFD; 01/05/87; p. 116 (insert); Sanyo Model MS 450.
HFD; 06/01/87; p. 116; Topright-Gran Prix Dual-Cassette Portable Stereo.
Hitachi Catalog of TRK-W203.
National Catalog of RX-FW47.

Primary Examiner-Theodore M. Shooman
Attorney, Agent, or Firm-Oblon, Spivak, McClelland, Maier & Neustadt

[57] CLAIM

The ornamental design for a combined radio and cassette tape recorder, as shown and described.

DESCRIPTION

FIG. 1 is a top, front and right side perspective view of a combined radio and cassette tape recorder showing my new design, with the handle in a raised position and the cassette holders in an open position; FIG. 2 is a front elevational view thereof; FIG. 3 is a top plan view thereof; FIG. 4 is a left side elevational view thereof; FIG. 5 is a right side elevational view thereof; FIG. 6 is a rear elevational view thereof; and FIG. 7 is a bottom plan view thereof.

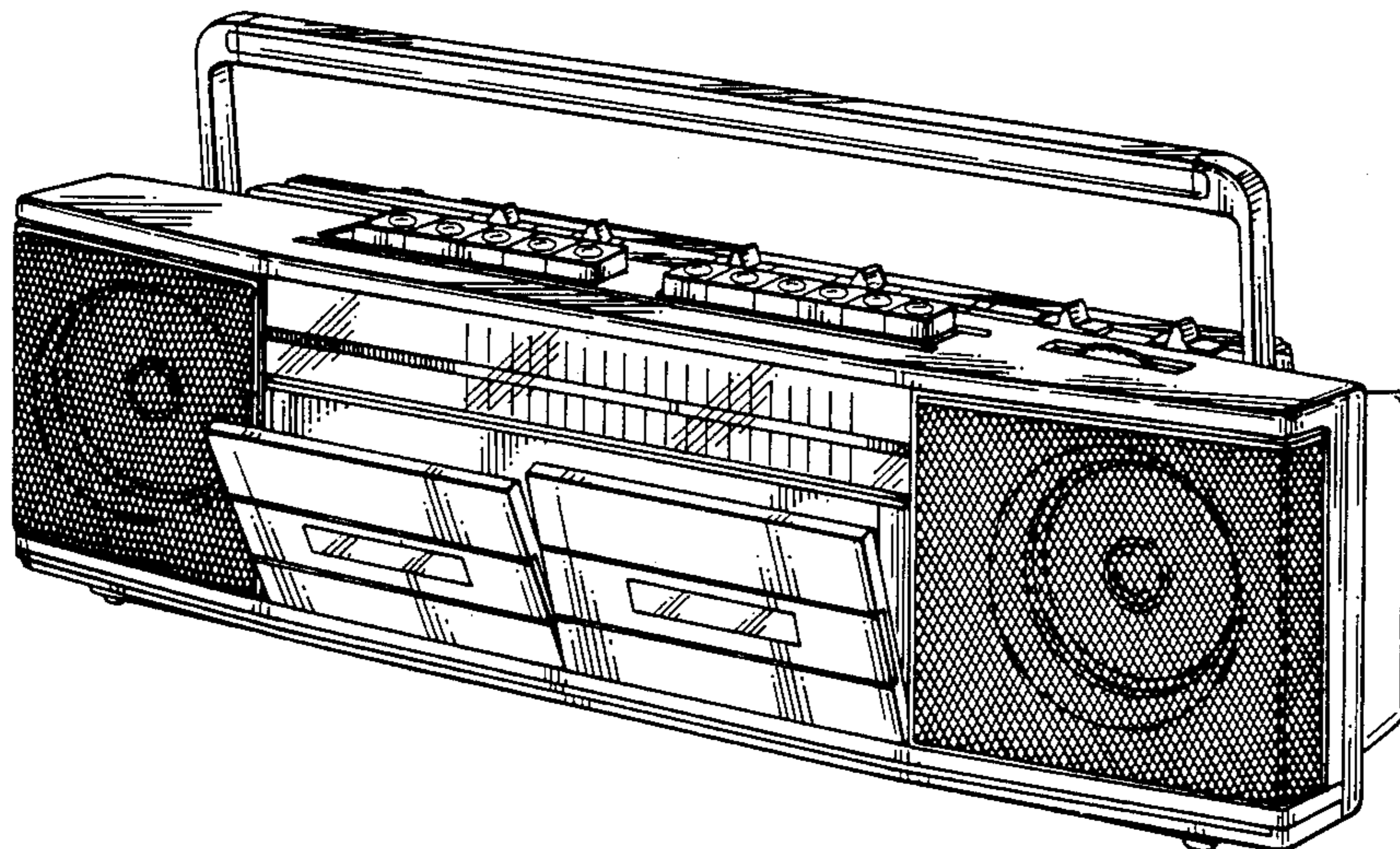


FIG. 1

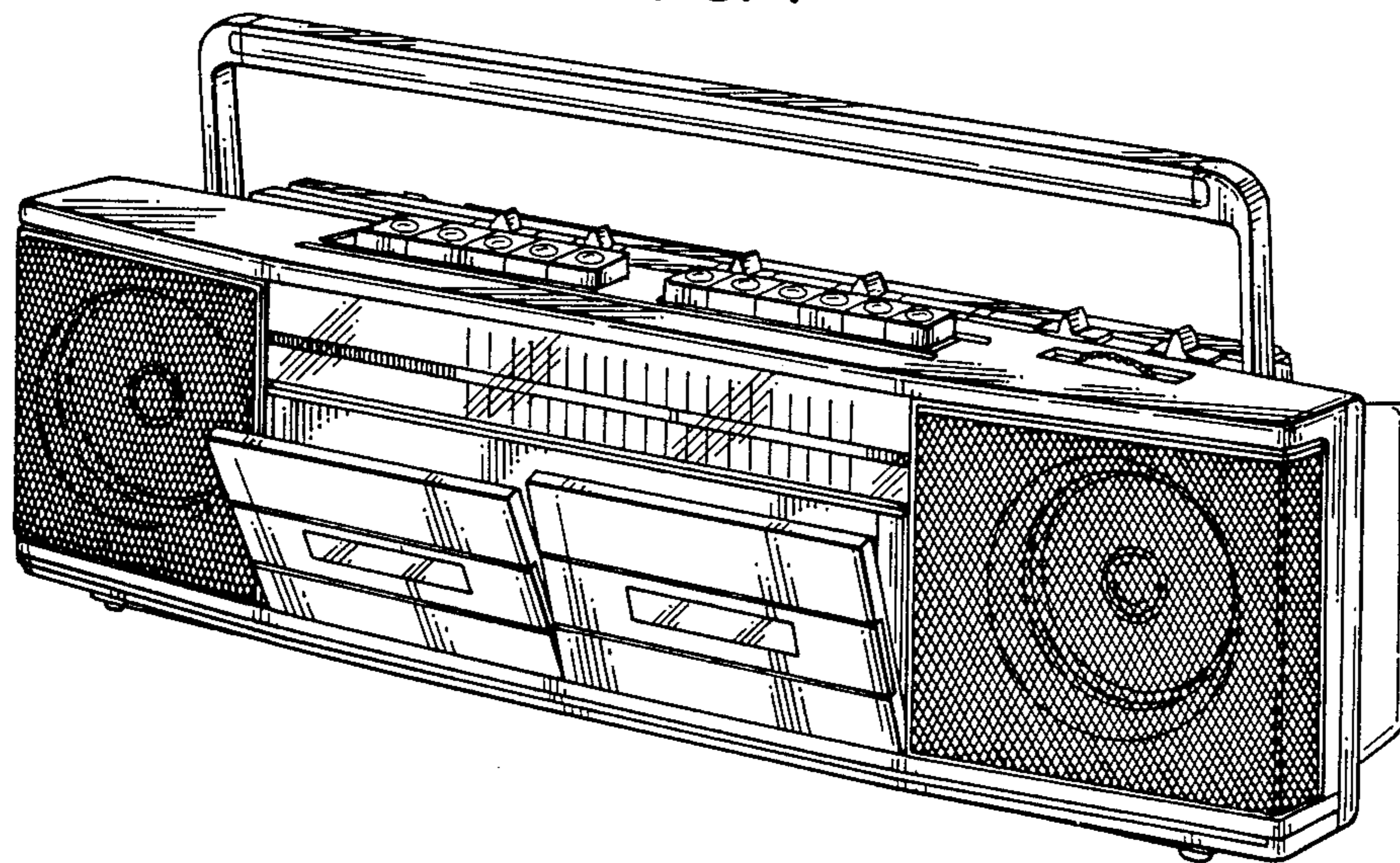


FIG. 2

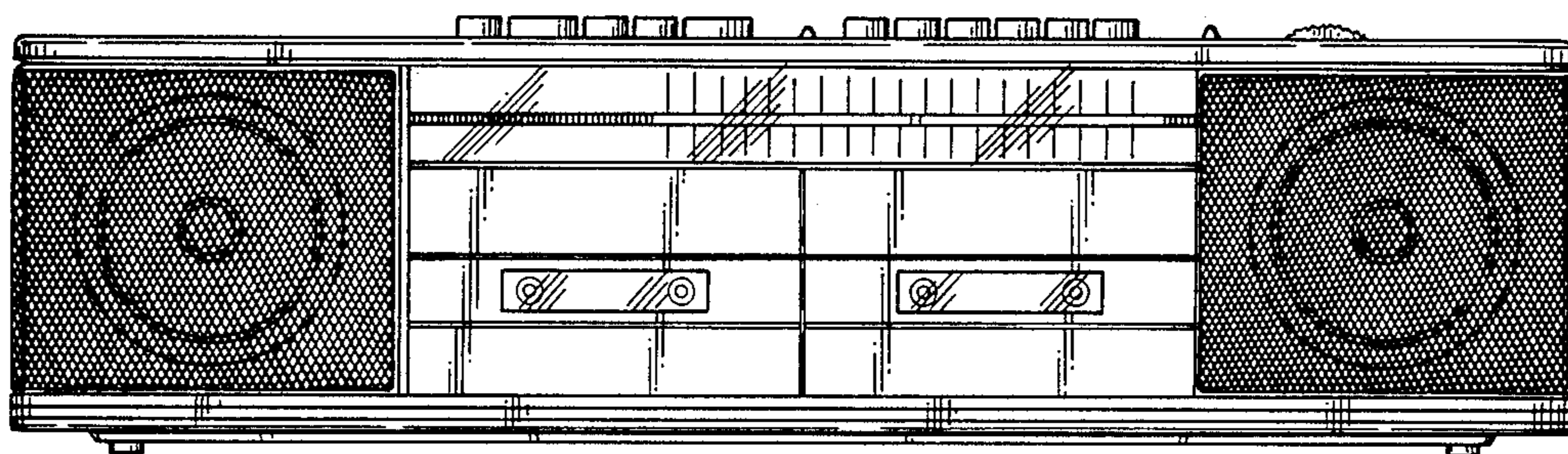


FIG. 3

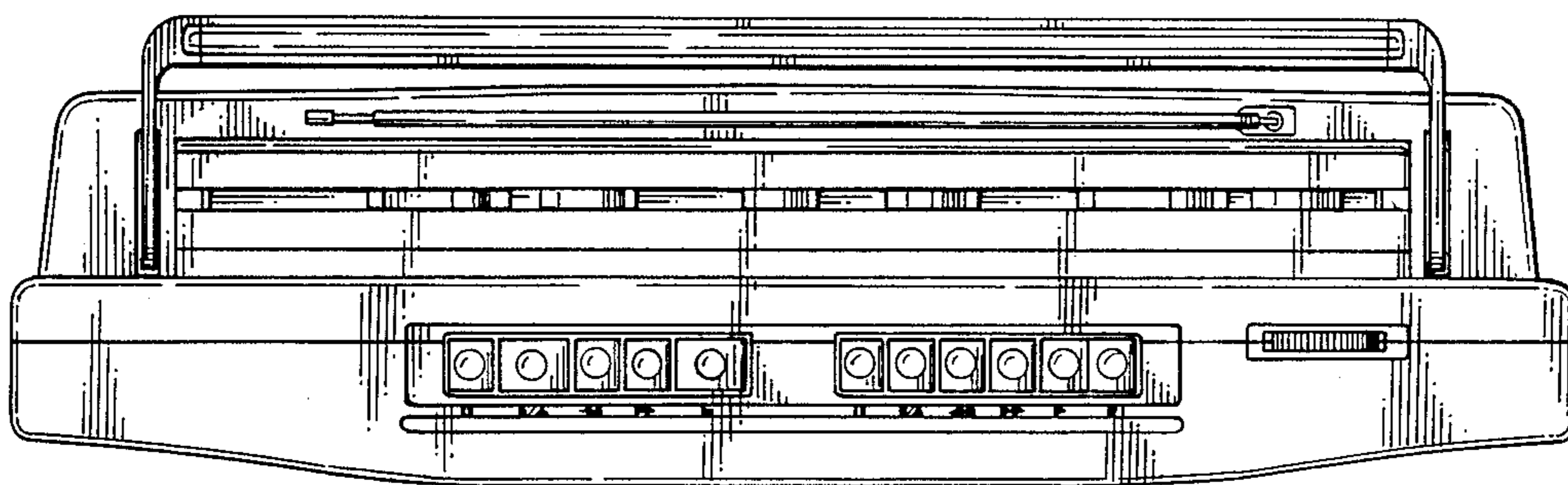


FIG. 4

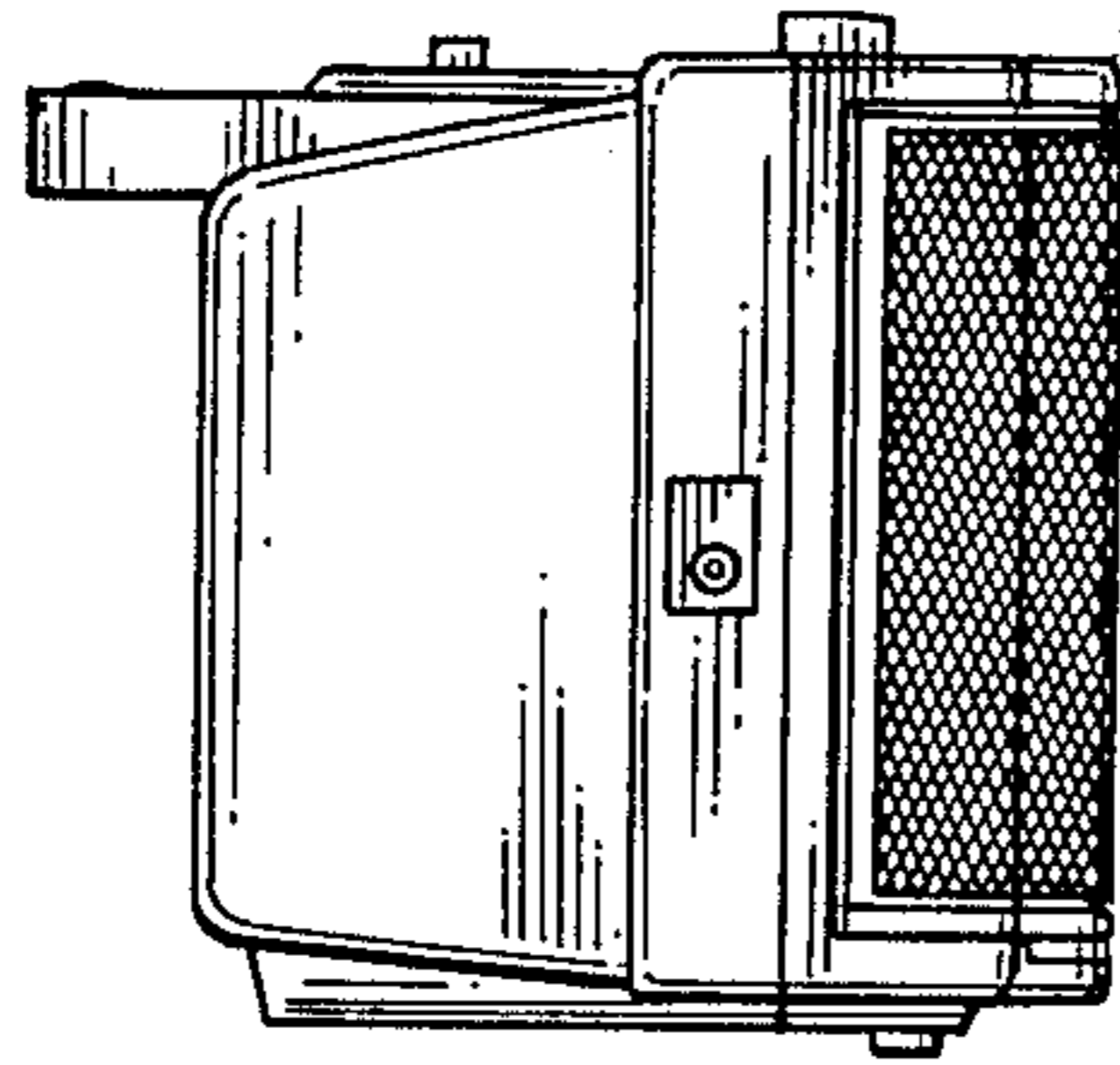


FIG. 5

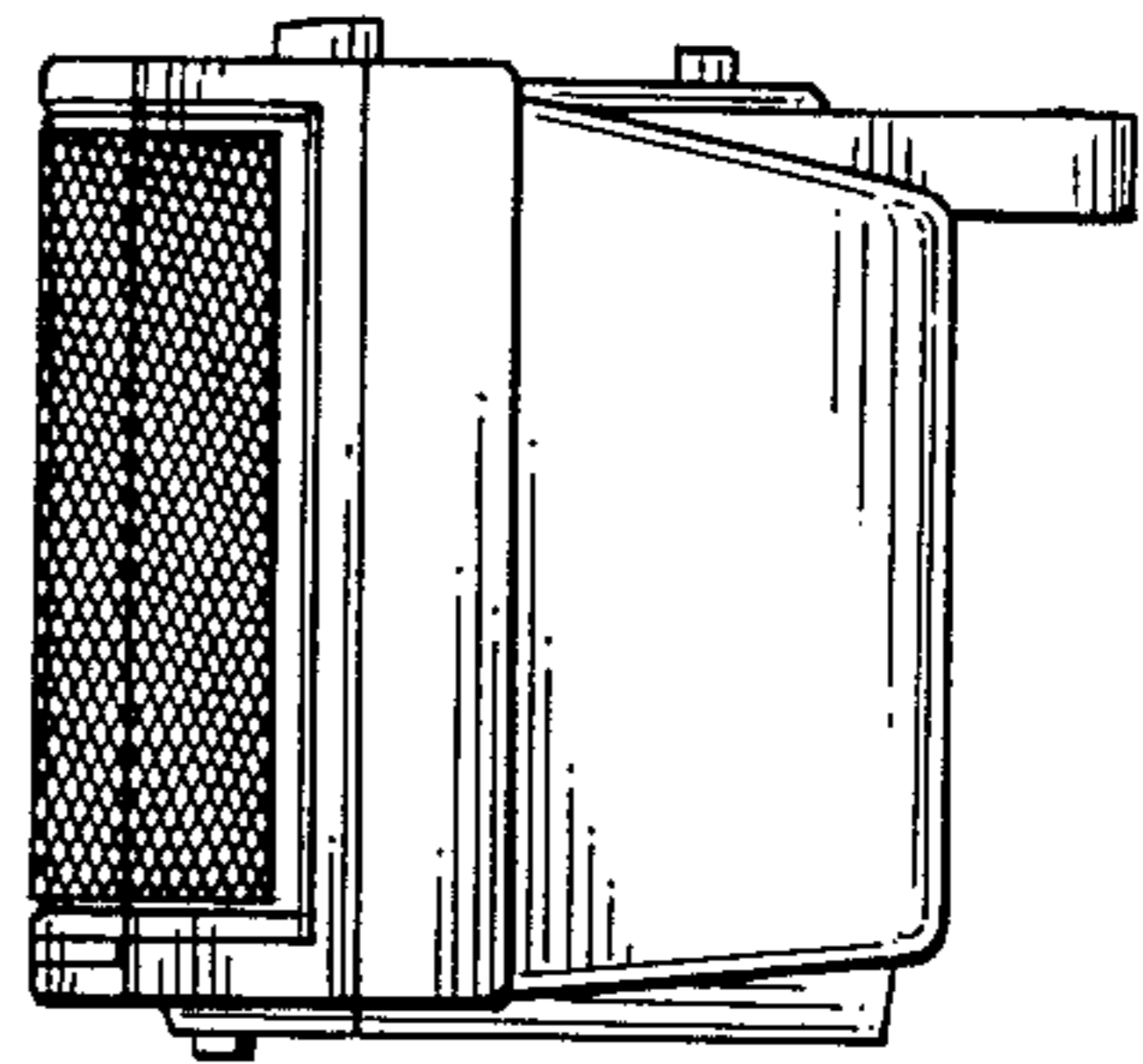


FIG. 6

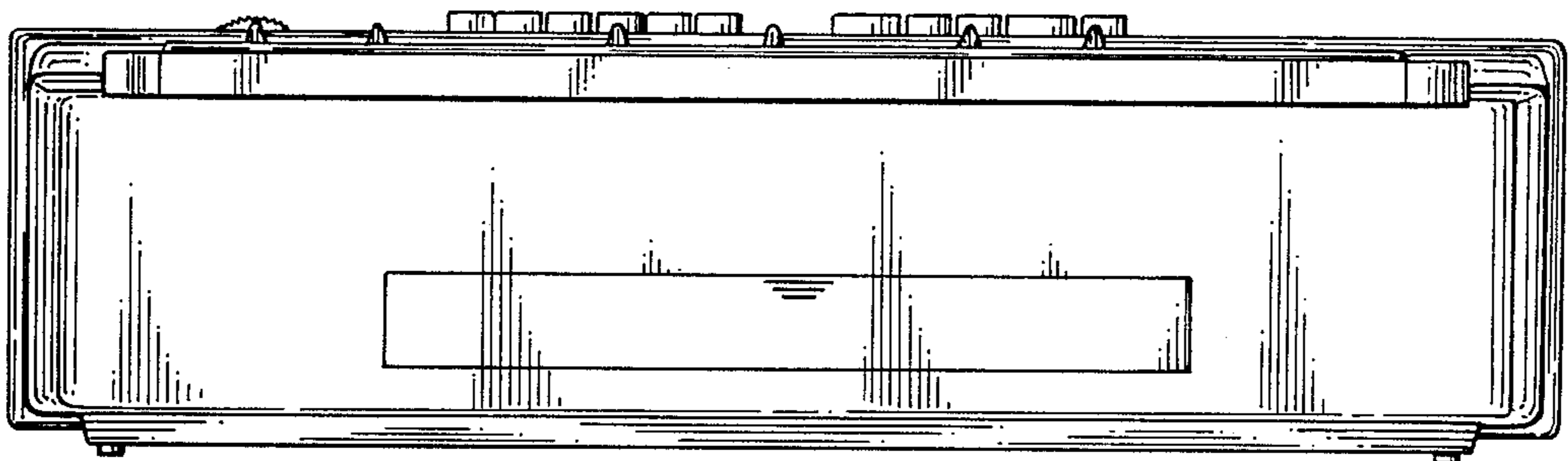


FIG. 7

