

[54] **TERMINAL FOR SIGNAL PROCESSING IN TEXTILE LABORATORIES**

[75] Inventors: **Hans-Rudolf Fellmann, Wagen; Christophe Apothéloz, Maschwanden, both of Switzerland**

[73] Assignee: **Zellweger Uster Ltd., Uster, Switzerland**

[\*\*] Term: **14 Years**

[21] Appl. No.: **29,600**

[22] Filed: **Mar. 24, 1987**

[30] **Foreign Application Priority Data**

Sep. 26, 1986 [CH] Switzerland ..... 115437

[52] U.S. Cl. .... **D14/106**

[58] **Field of Search** ..... D14/100, 102, 105, 106, D14/107, 113, 115, 114; D10/46, 49; D18/1, 7, 11, 12; D13/40, 41; 235/145 A, 145 R; 340/700, 706, 711, 712; 341/22, 23; 358/249, 254; 364/706-710; 312/198, 208; 400/472, 479, 486, 489; 73/105, 150 A, 150 R

[56] **References Cited**

**U.S. PATENT DOCUMENTS**

D. 264,468 5/1982 Grae ..... D14/105 X

D. 273,370 4/1984 Eilert ..... D10/75  
D. 280,510 9/1985 Wilson ..... D14/106  
D. 295,966 5/1988 Hutter et al. .... D10/46  
4,326,193 4/1982 Markley et al. .... 235/145 R X  
4,496,943 1/1985 Greenblatt ..... 364/708 X  
4,617,640 10/1986 Kishi et al. .... 364/708

*Primary Examiner*—Susan J. Lucas  
*Assistant Examiner*—Freda S. Nunn  
*Attorney, Agent, or Firm*—Burns, Doane, Swecker & Mathis

[57] **CLAIM**

The ornamental design for a terminal for signal processing in textile laboratories, as shown and described.

**DESCRIPTION**

FIG. 1 is a top, front, right side perspective view of a terminal for signal processing in textile laboratories showing our new design;  
FIG. 2 is a front elevational view thereof;  
FIG. 3 is a right side elevational view thereof;  
FIG. 4 is a left side elevational view thereof;  
FIG. 5 is a rear elevational view thereof;  
FIG. 6 is a top plan view thereof on an enlarged scale; and  
FIG. 7 is a bottom plan view thereof on an enlarged scale.

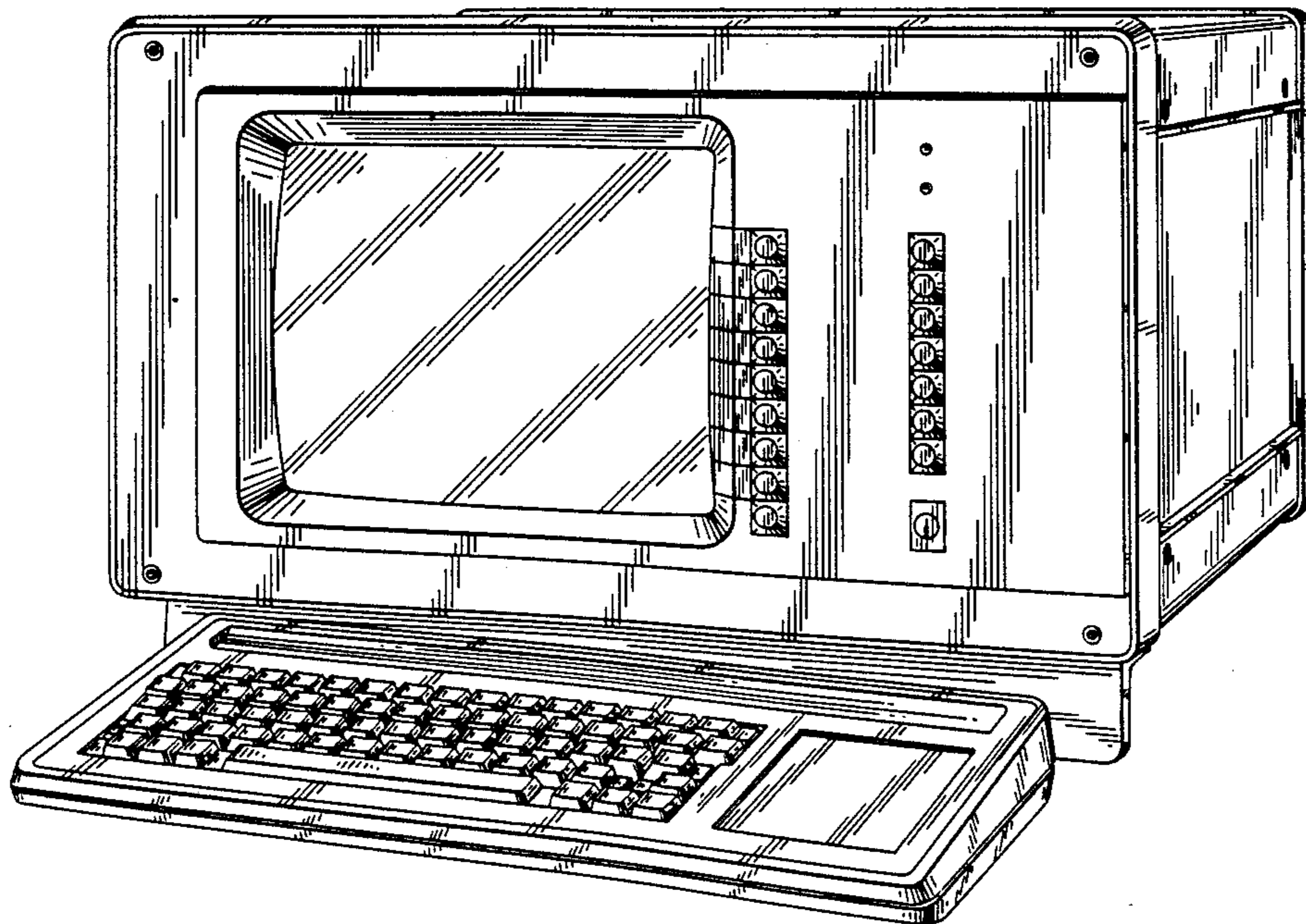


FIG. 1

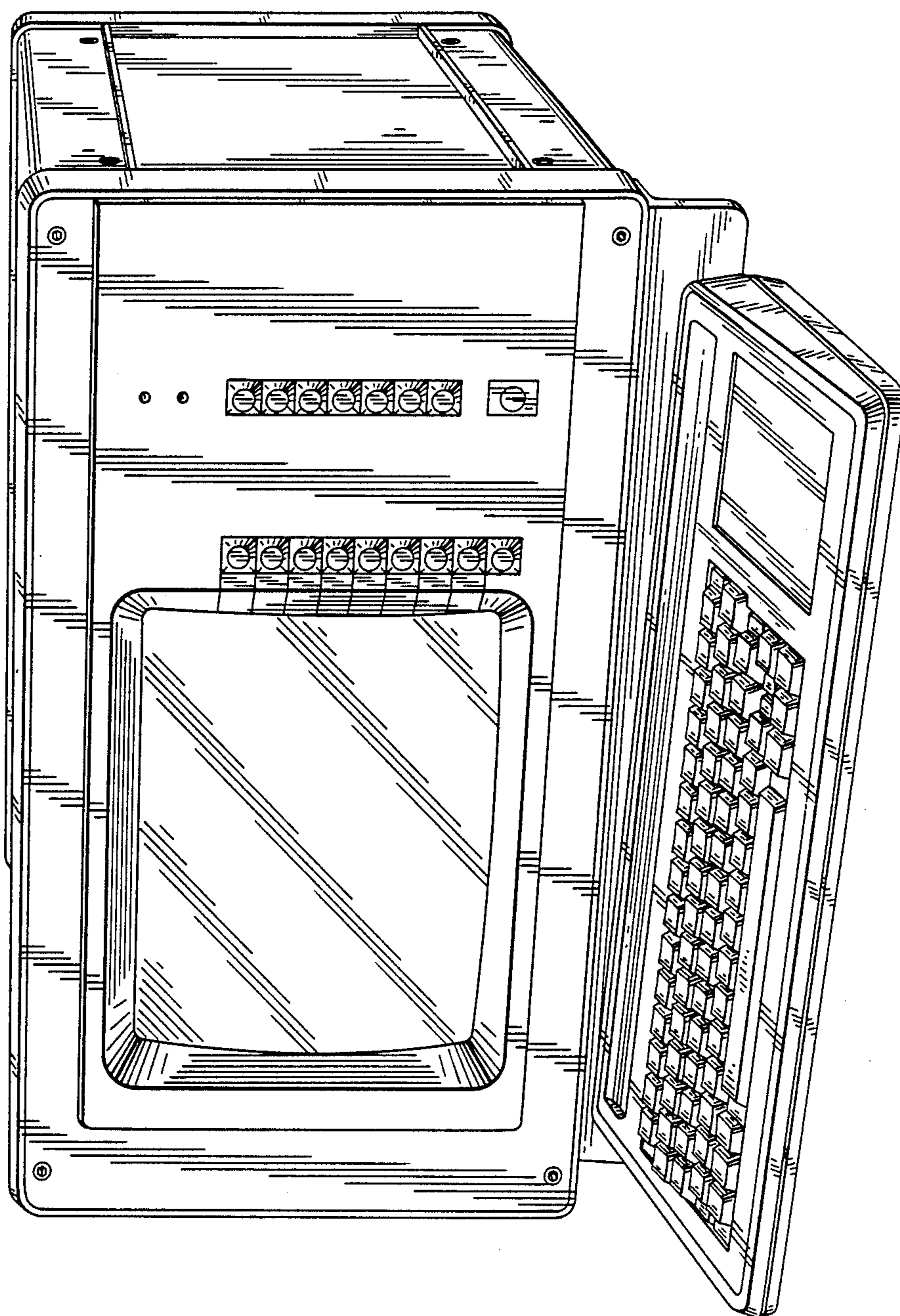


FIG. 2

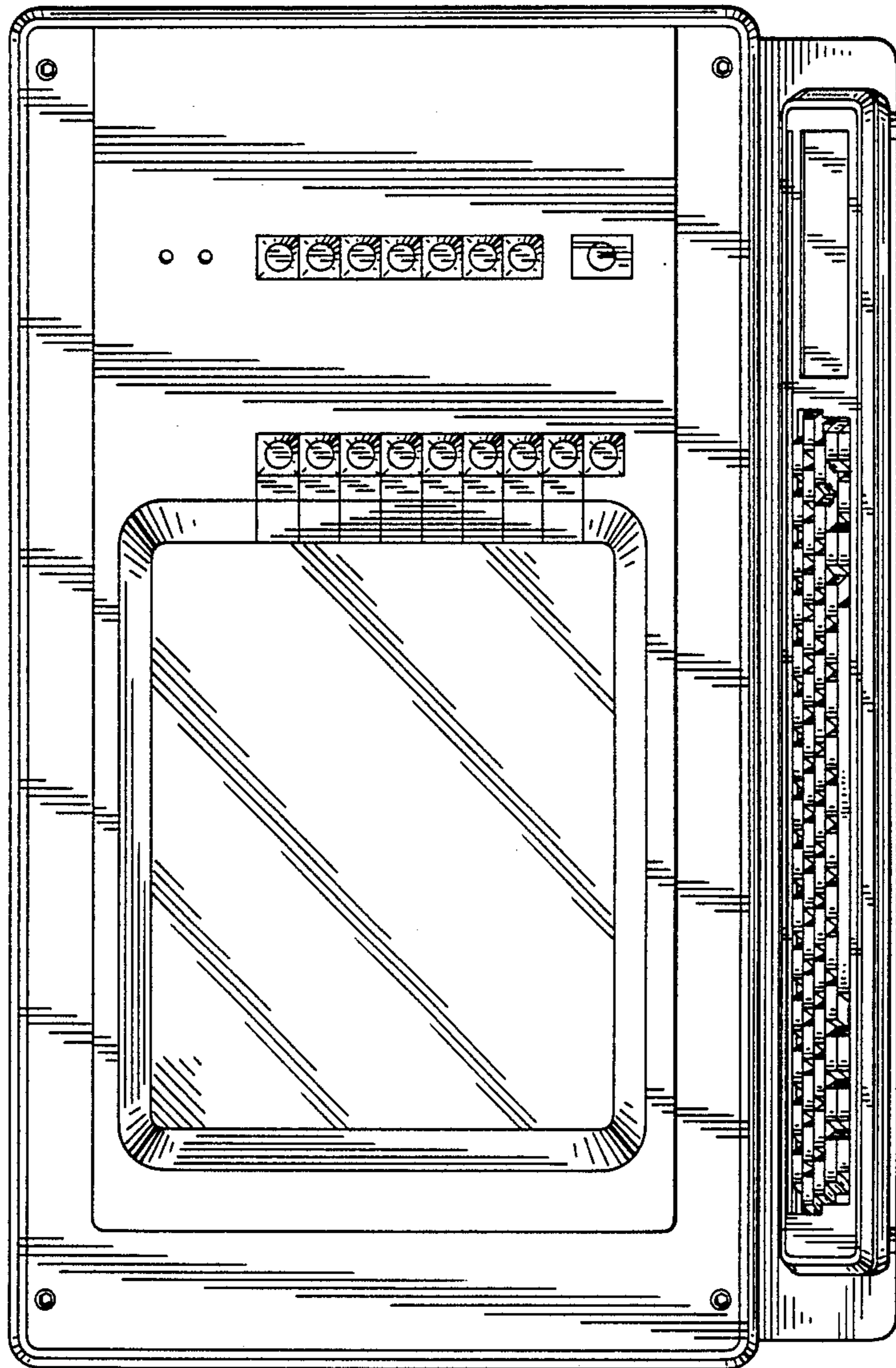


FIG. 3

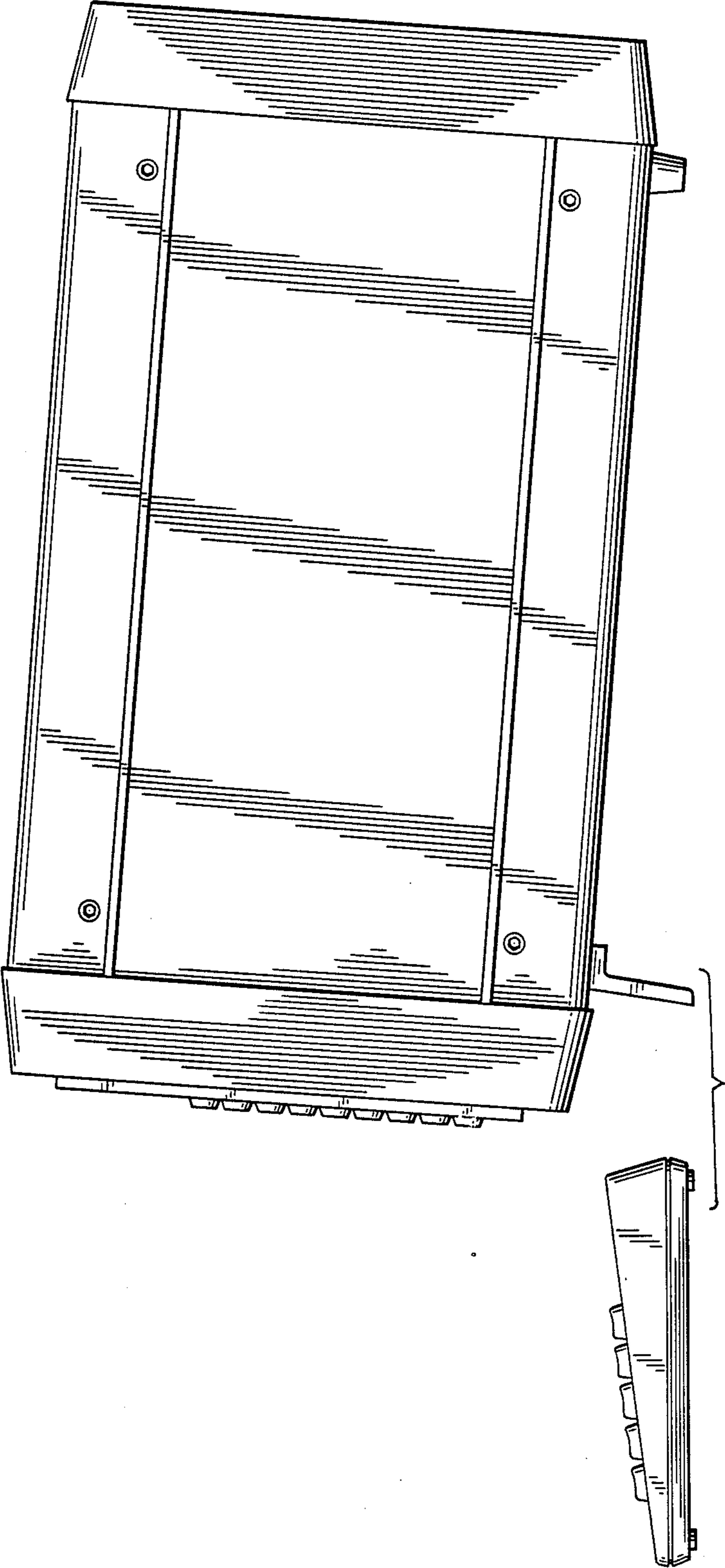


FIG. 4

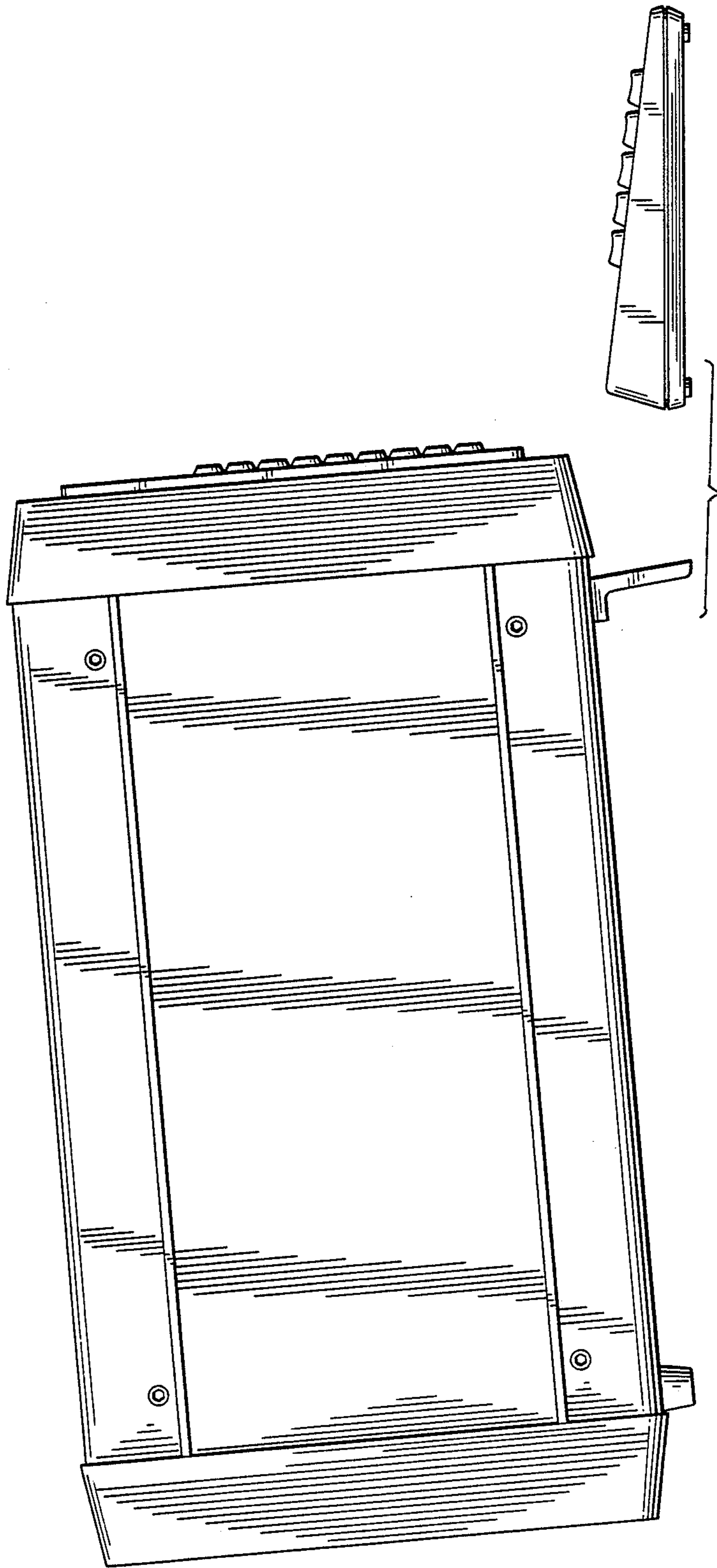
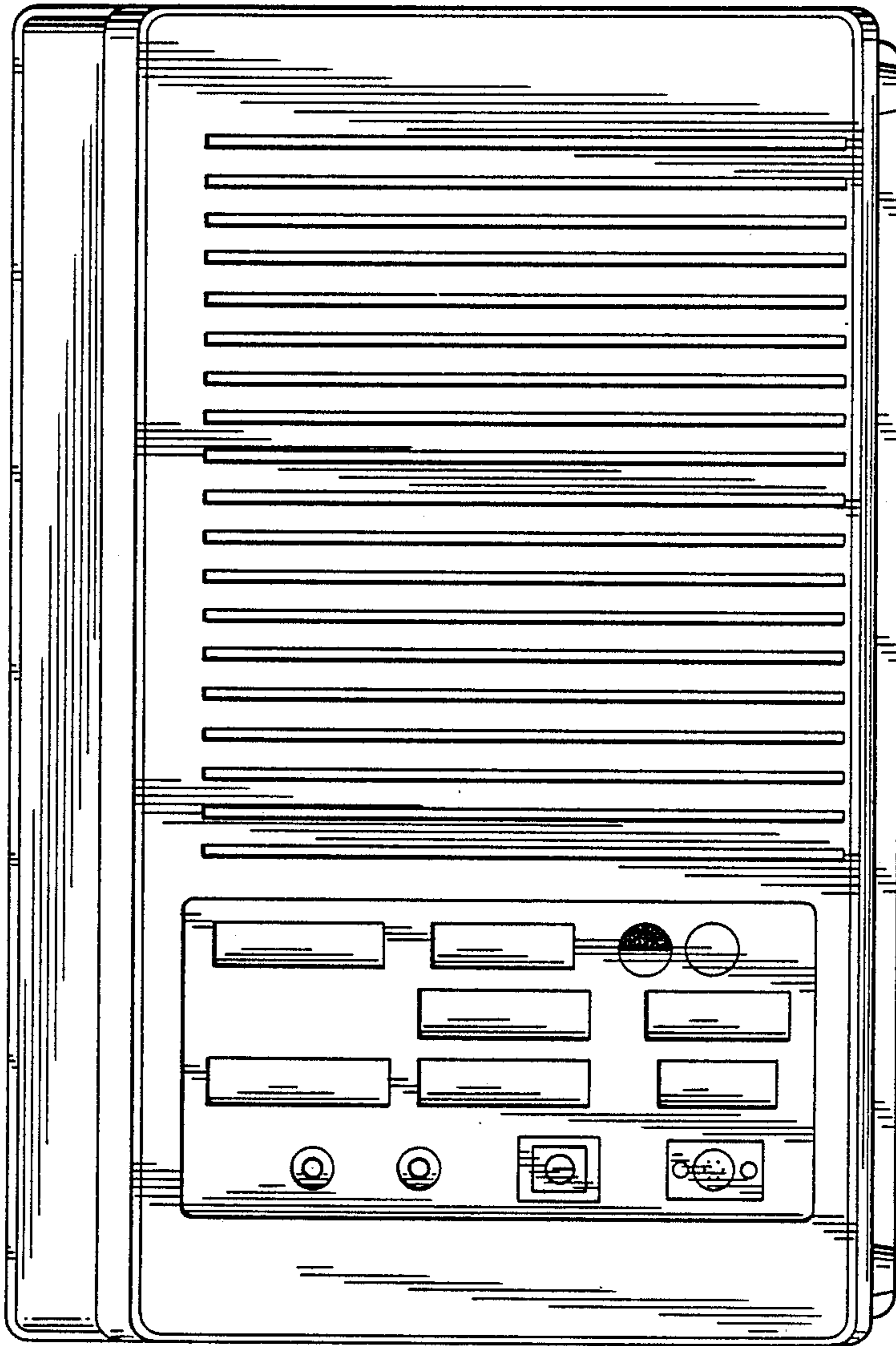
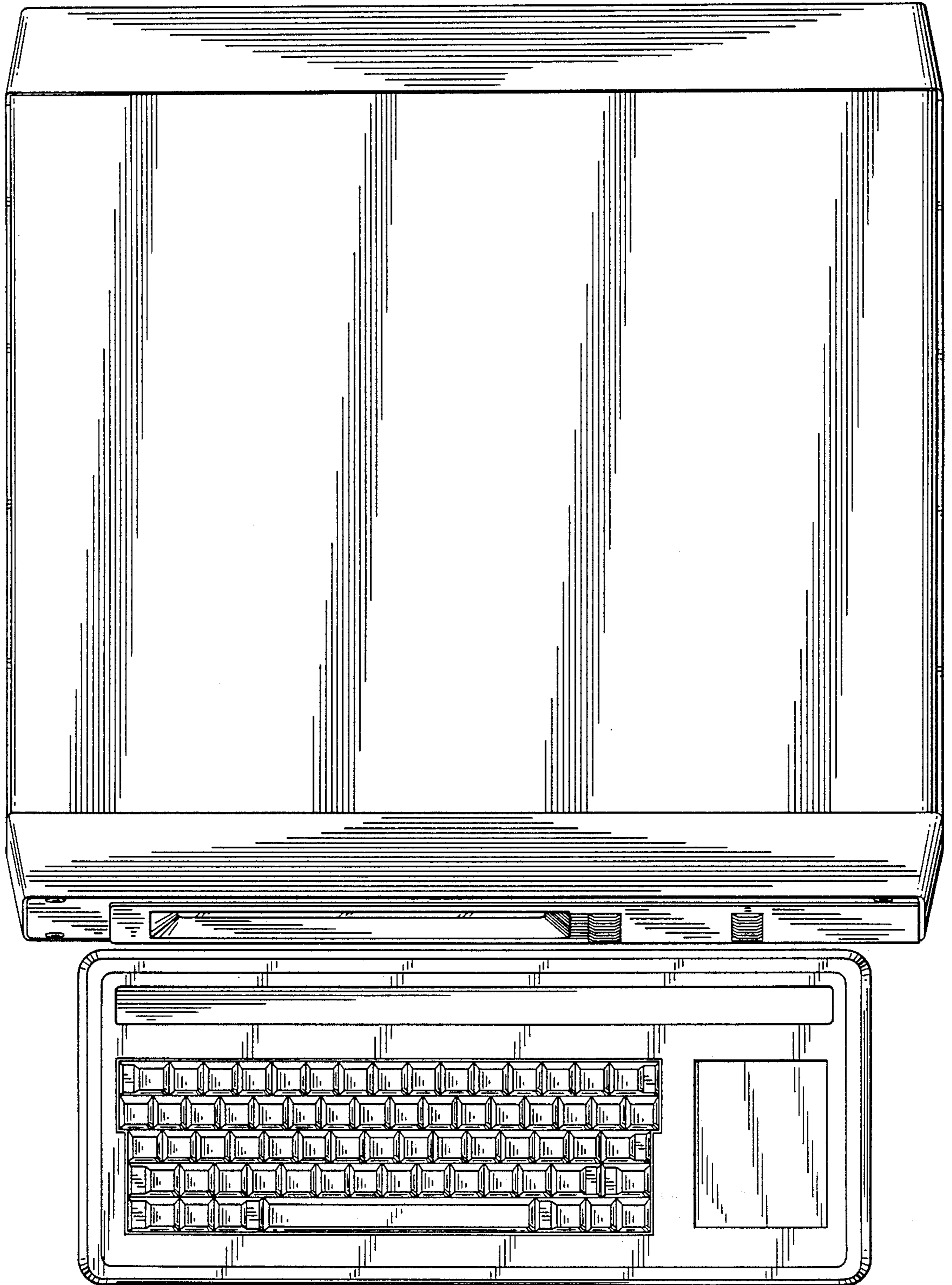


FIG. 5



*FIG. 6*



*Fig. 7*

