

[54] VEHICLE BATTERY HOLDER

[75] Inventor: Lynn A. Balek, Mason City, Iowa

[73] Assignee: LTL Industries Ltd., Mason City, Iowa

[\*\*] Term: 14 Years

[21] Appl. No.: 161,672

[22] Filed: Feb. 29, 1988

[52] U.S. Cl. .... D13/119

[58] Field of Search ..... D13/9, 10; 429/100; 248/503; 224/902; 294/903; 180/68.5

4,632,201 12/1986 Kay ..... 429/100 X

FOREIGN PATENT DOCUMENTS

1181267 1/1959 France ..... 248/503

Primary Examiner—Susan J. Lucas  
 Assistant Examiner—Joel Sincavage  
 Attorney, Agent, or Firm—G. Brian Pingel

[57] CLAIM

The ornamental design for a vehicle battery holder, as shown and described.

DESCRIPTION

FIG. 1 is a perspective view of a vehicle battery holder showing my new design;  
 FIG. 2 is a reduced front elevation view thereof;  
 FIG. 3 is a reduced rear elevation view thereof;  
 FIG. 4 is a reduced side elevation view thereof, the opposite side being a mirror image;  
 FIG. 5 is a reduced plan view thereof; and  
 FIG. 6 is a reduced bottom view thereof.

[56] References Cited  
 U.S. PATENT DOCUMENTS

1,218,056	3/1917	Cole	.....	429/100 X
1,338,690	3/1920	Moorman	.....	429/100 X
3,797,600	3/1974	Miner	.....	180/68.5 X
4,317,497	3/1982	Alt et al.	.....	248/503 X

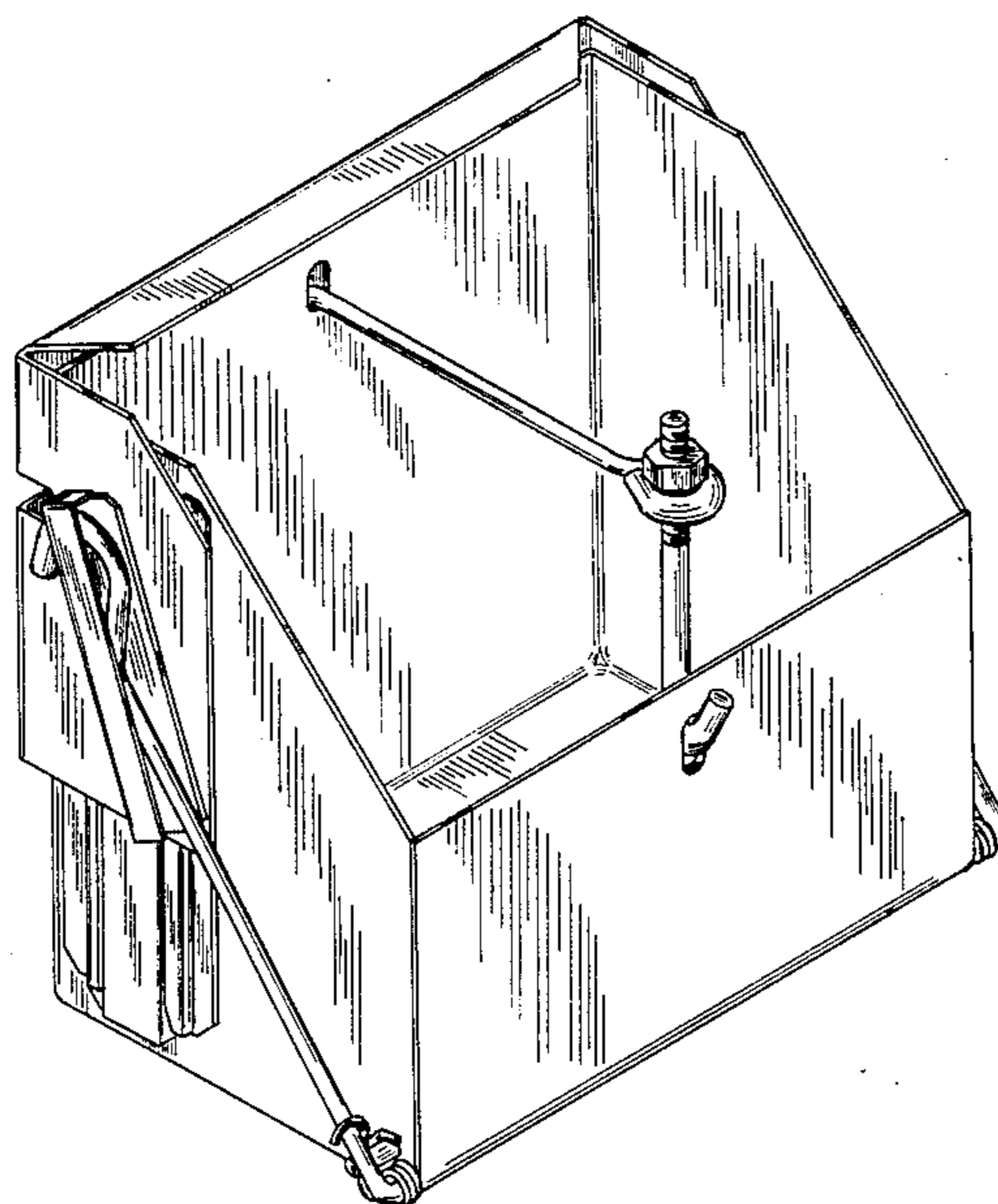


FIG. 1

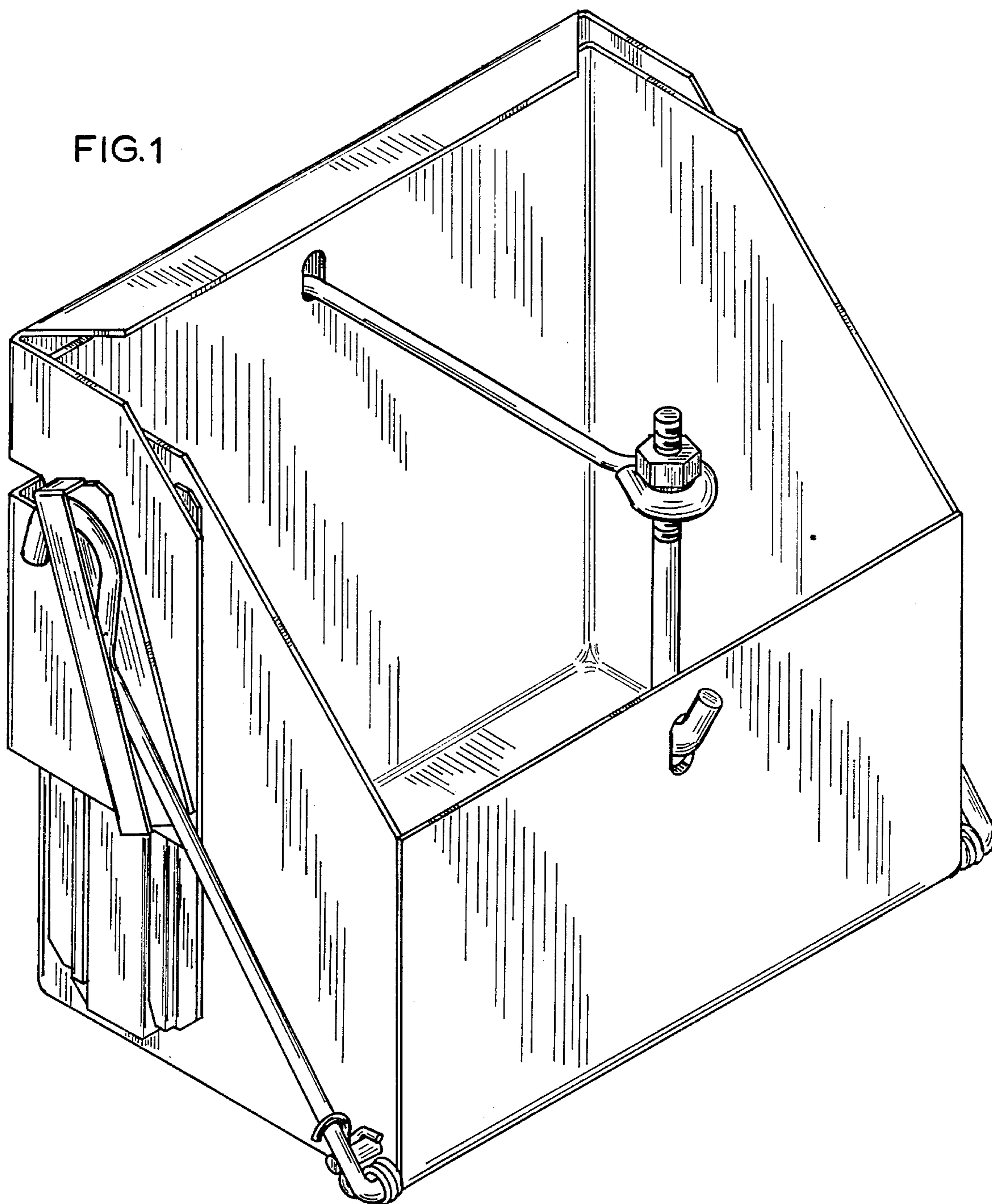


FIG. 2

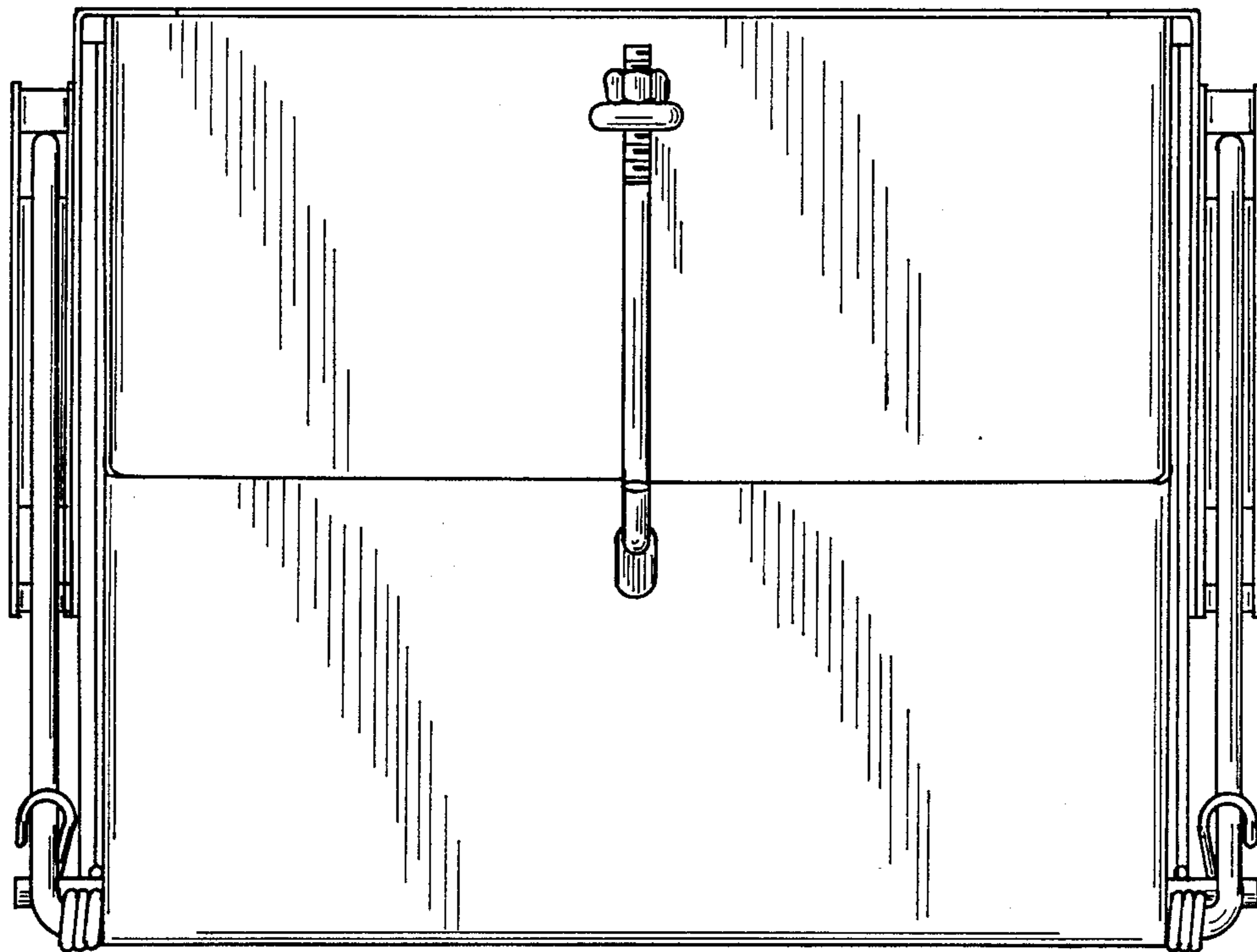
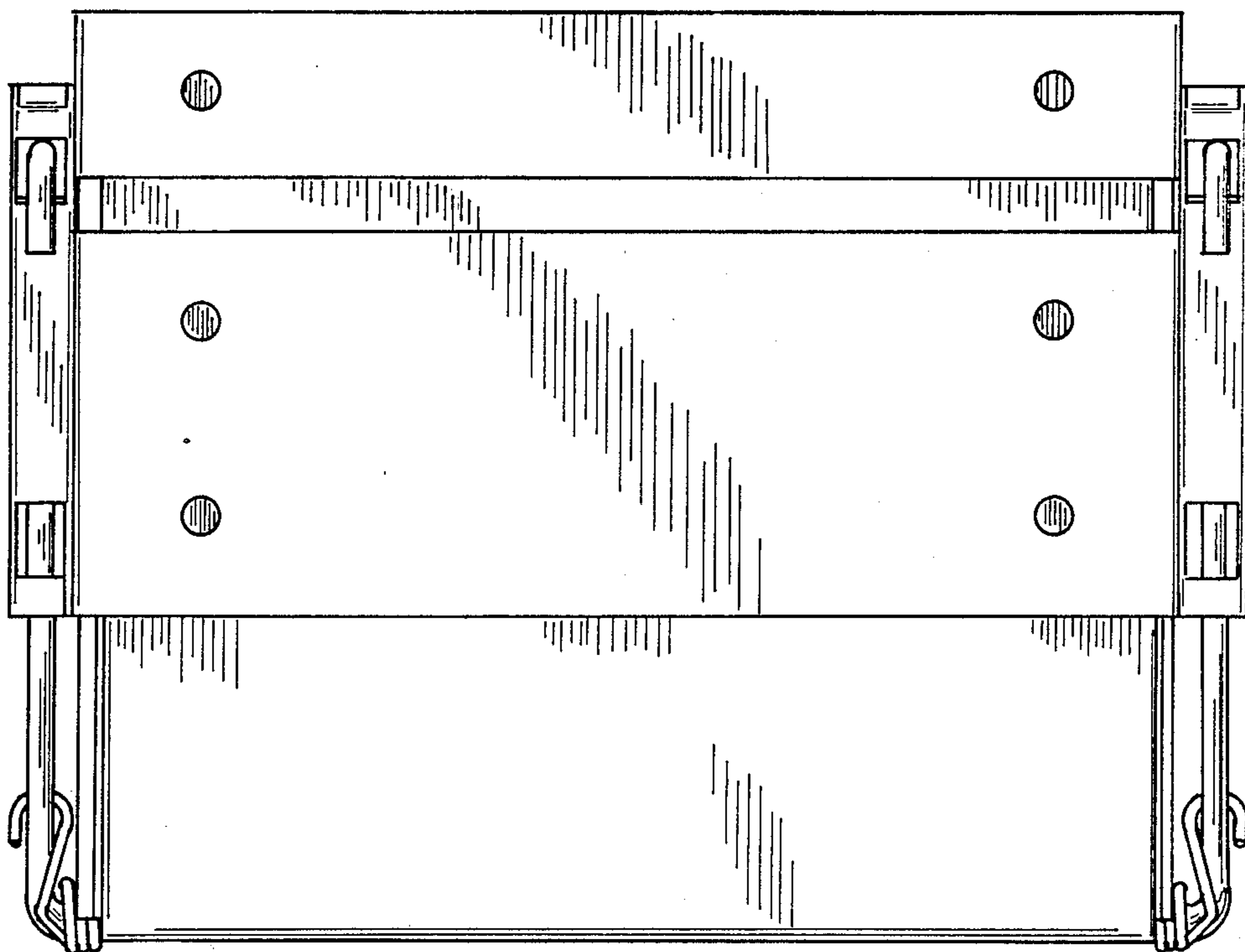


FIG. 3



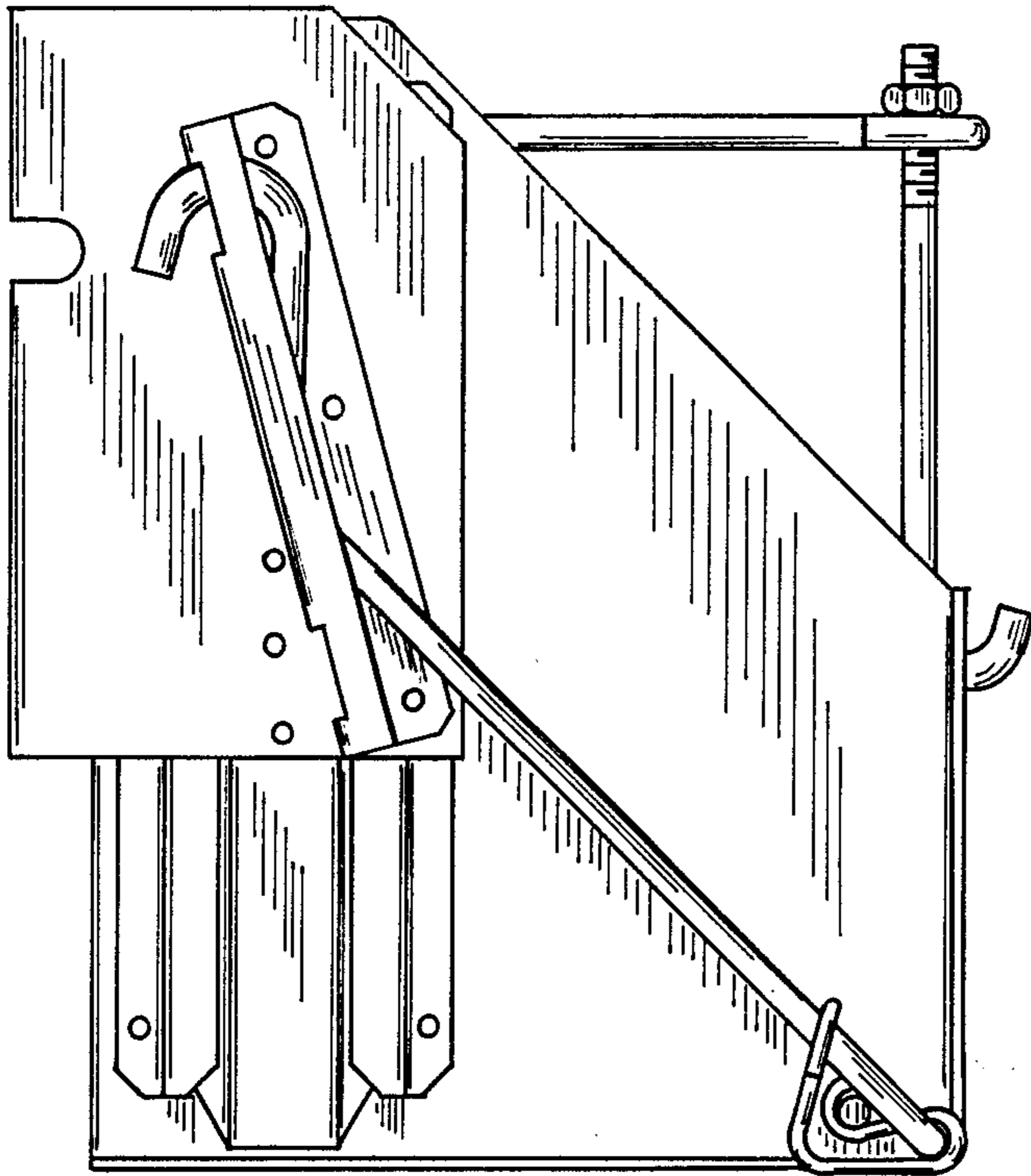


FIG. 4

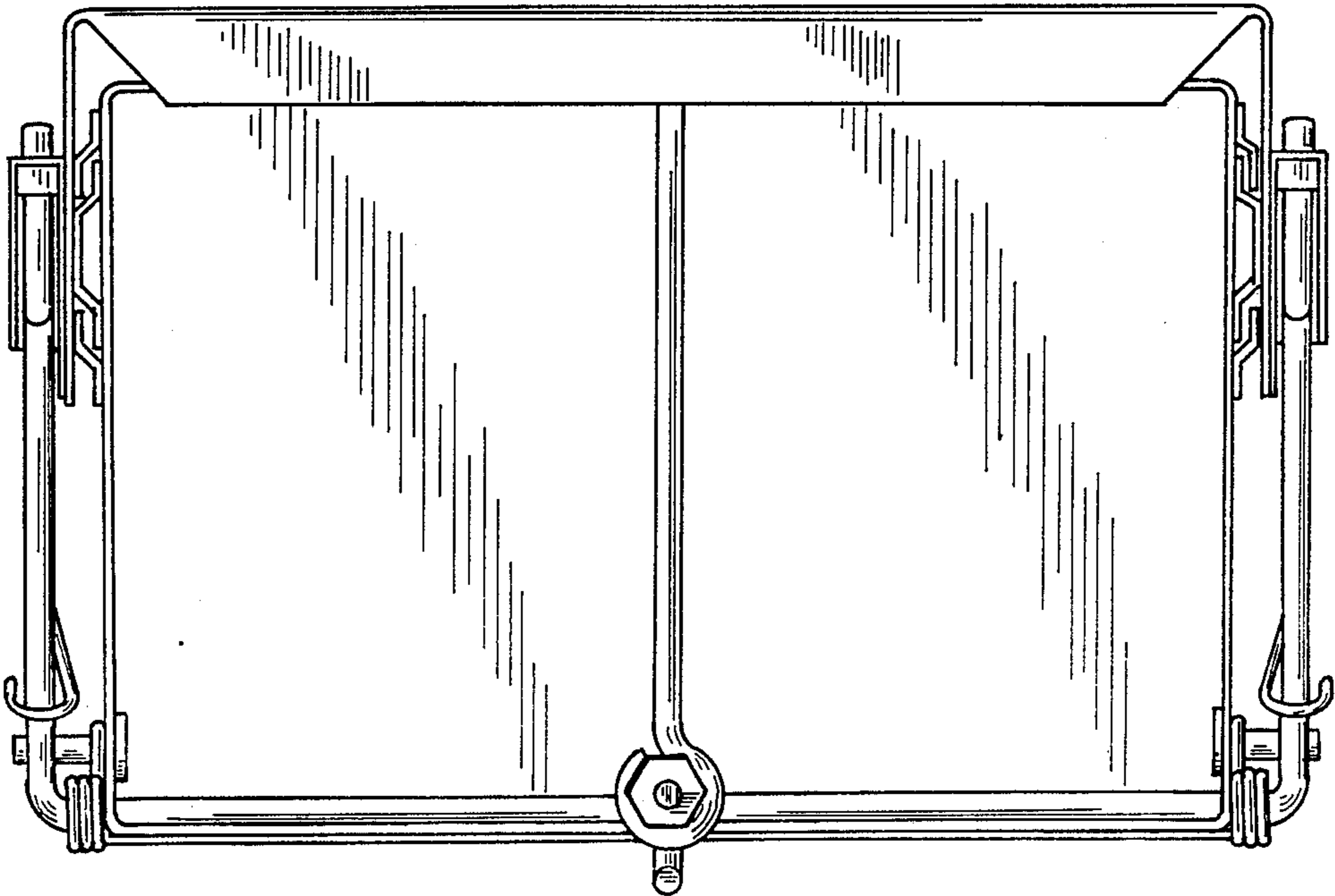


FIG. 5

FIG. 6

