

United States Patent [19]

Paine, Jr.

[11] Patent Number: **Des. 310,656**

[45] Date of Patent: **** Sep. 18, 1990**

[54] PONTON BOAT EXTERIOR HULL

[76] Inventor: **Perry P. Paine, Jr.**, Ste. 300, First American Center, 200 E. Broadway, P.O. Box 415, Maryville, Tenn. 37803-0415

[**] Term: **14 Years**

[21] Appl. No.: **163,893**

[22] Filed: **Mar. 4, 1988**

[52] U.S. Cl. **D12/300; D12/314**

[58] Field of Search **D12/300, 304, 309, 310, D12/311, 312; 114/61, 290, 288**

[56] **References Cited**

U.S. PATENT DOCUMENTS

3,470,839 10/1969 Faul et al. 114/61

4,004,534 1/1977 Allison 114/61
4,478,166 10/1984 Sorensen 114/61
4,644,890 2/1987 Lott 114/61

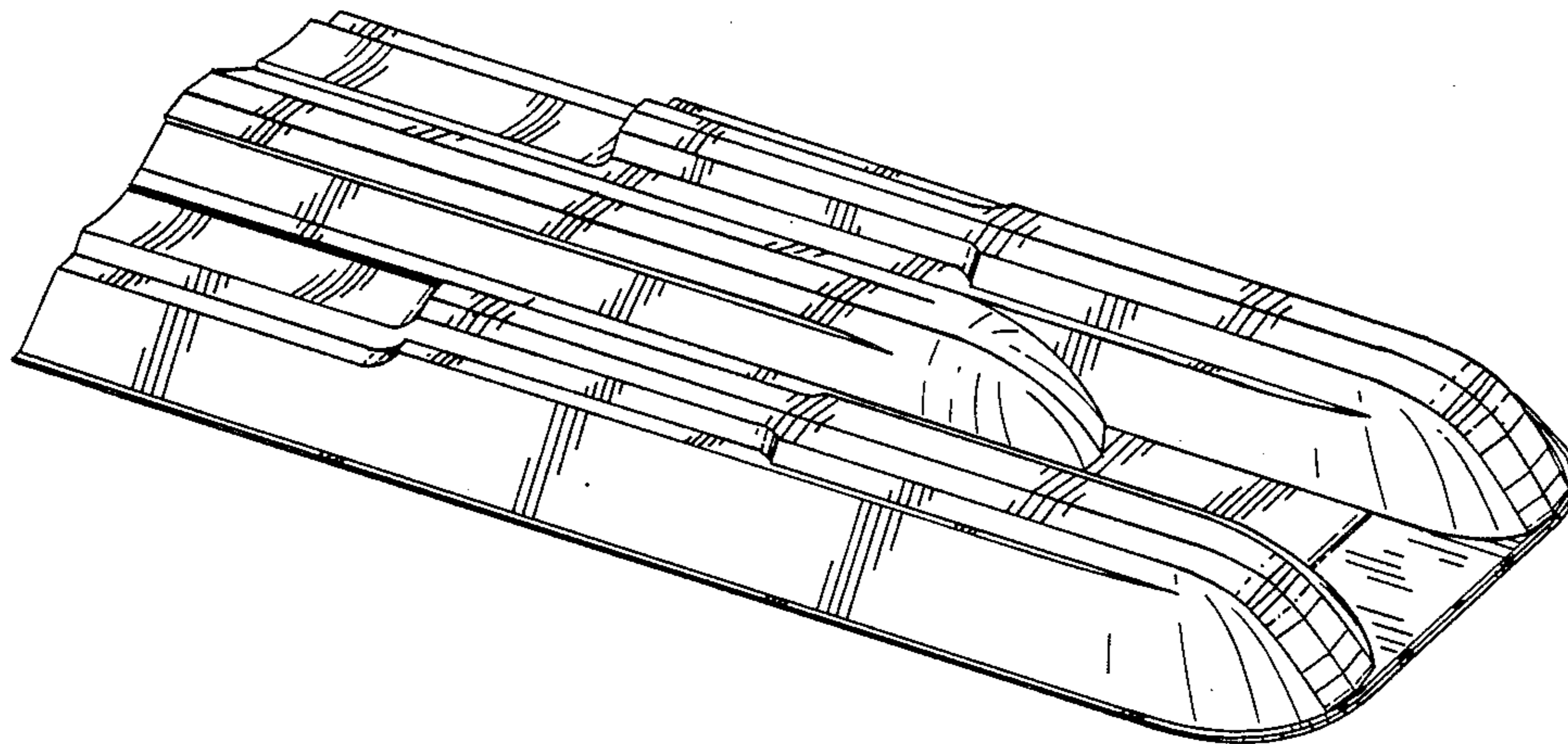
Primary Examiner—Wallace R. Burke
Assistant Examiner—Kay H. Chin
Attorney, Agent, or Firm—Pitts and Brittian

[57] **CLAIM**

The ornamental design for a pontoon boat exterior hull, as shown and described.

DESCRIPTION

FIG. 1 is a bottom plan view of a pontoon boat exterior hull showing my new design;
FIG. 2 is a right side elevational view thereof, the left side view being a mirror image of that shown;
FIG. 3 is a front elevation view thereof;
FIG. 4 is a rear elevation view thereof; and
FIG. 5 is a bottom perspective view thereof.



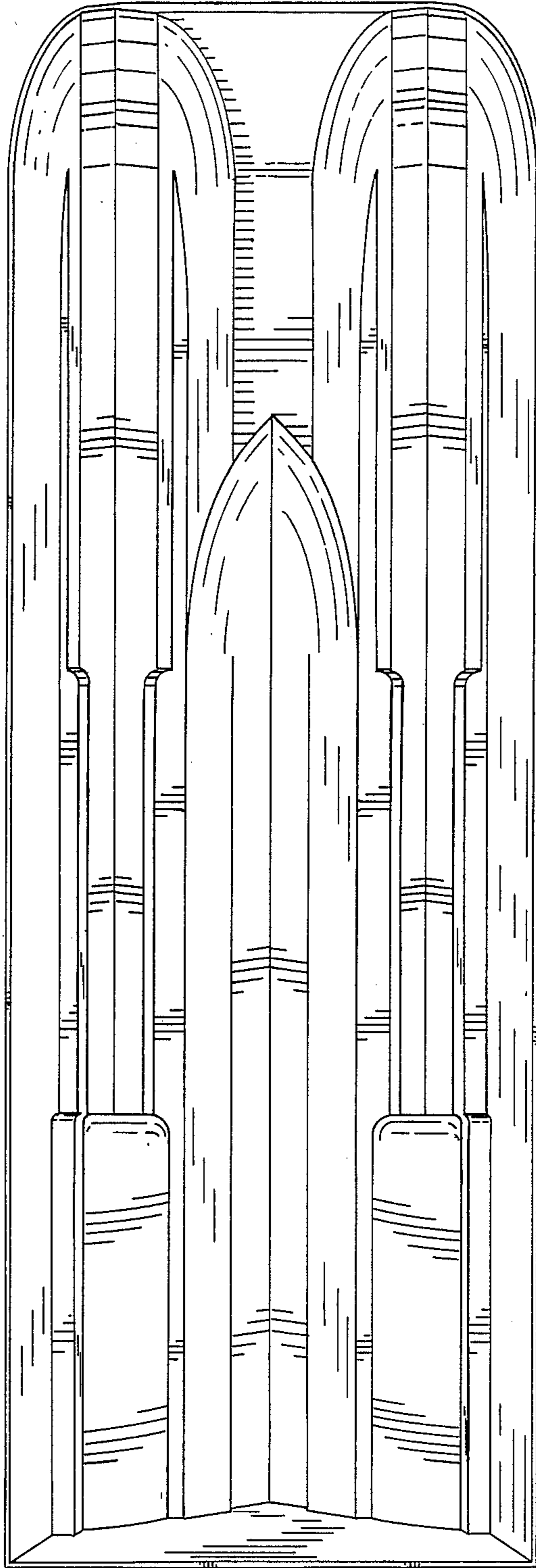


FIG. 1

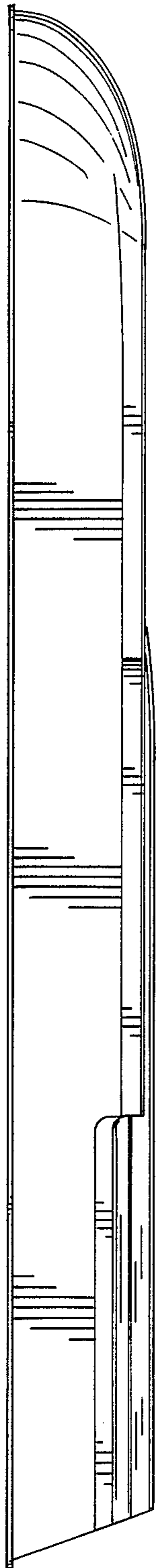


FIG. 2

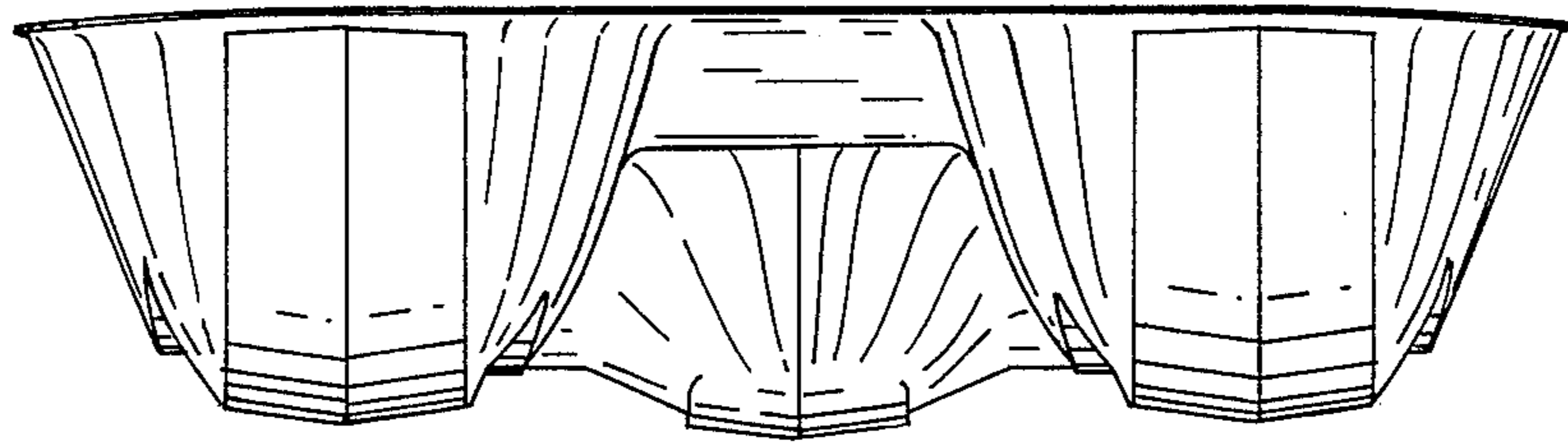


FIG. 3

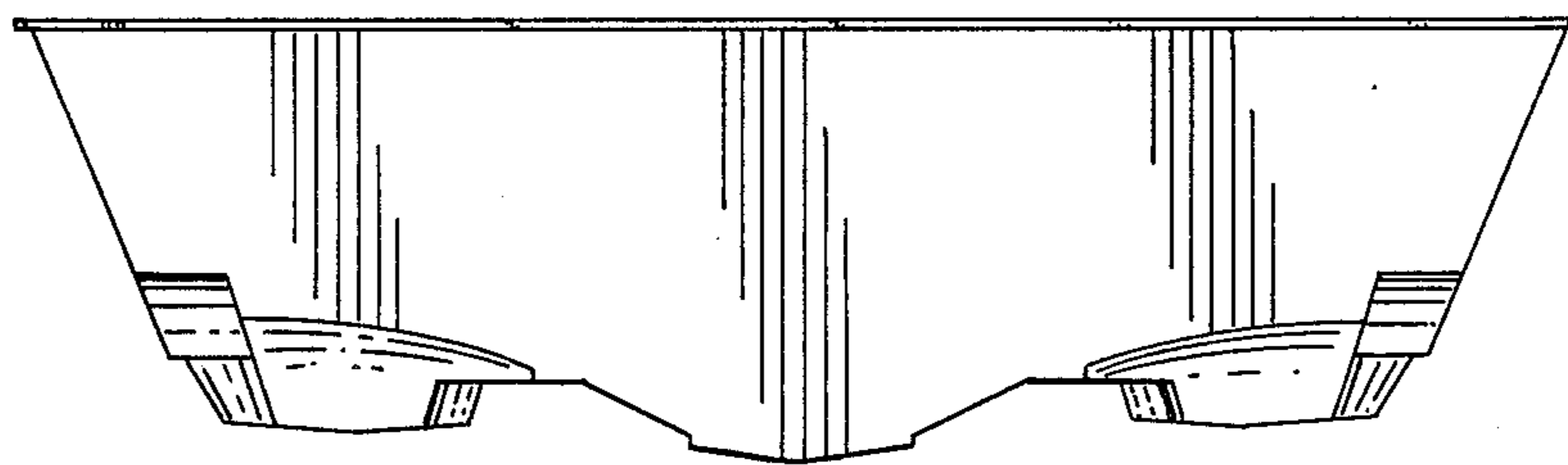


FIG. 4

FIG. 5

