

[54] **STROLLER WHEEL HUB CAP**

[75] **Inventor: Harry J. Giambrone, Kettering, Ohio**

[73] **Assignee: Spalding & Evenflo Companies, Inc., Tampa, Fla.**

[**] **Term: 14 Years**

[21] **Appl. No.: 257,239**

[22] **Filed: Oct. 13, 1988**

[52] **U.S. Cl. D12/211**

[58] **Field of Search D12/209, 211, 206, 204;
301/37 R, 63 R, 63 PW, 65**

[56] **References Cited**

U.S. PATENT DOCUMENTS

D. 303,242 9/1989 Nakatsuka D12/211

OTHER PUBLICATIONS

Del Krome Corp. Full Wheel Covers Catalog, p. 9, 1959 AF 59 Wheel Cover, bottom left side of page.

1988 Mazda Brochure, ©1987, p. 3, Mazda 929 Wheel, top of page.

Tire Review, 9/86, p. 47, Wheel Associated with Handbook HK P610 Tire, center of page.

Primary Examiner—James M. Gandy

Attorney, Agent, or Firm—Donald R. Bahr

[57] **CLAIM**

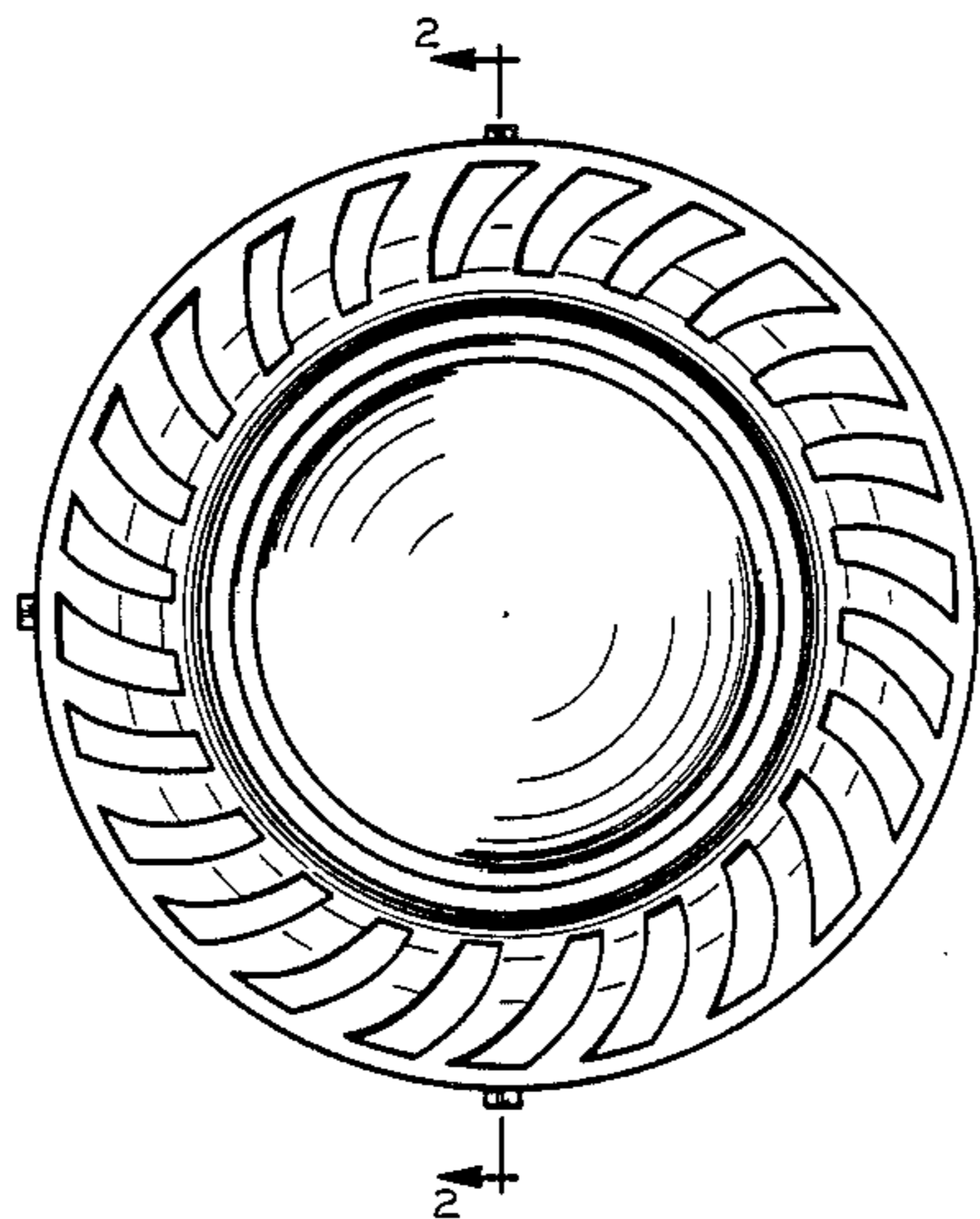
The ornamental design for a stroller wheel hub cap, as shown and described.

DESCRIPTION

FIG. 1 is a front elevation view of a stroller wheel hub cap showing my new design;

FIG. 2 is a cross-sectional view thereof taken along line 2—2 in FIG 1; and

FIG. 3 is a rear elevation view thereof.



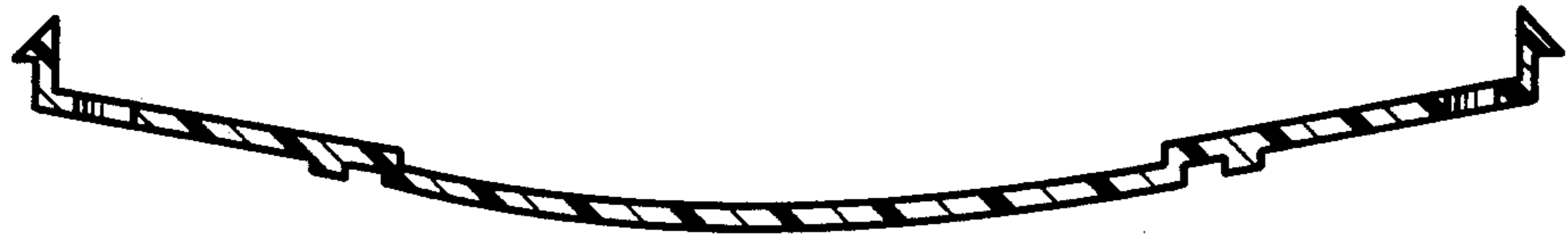
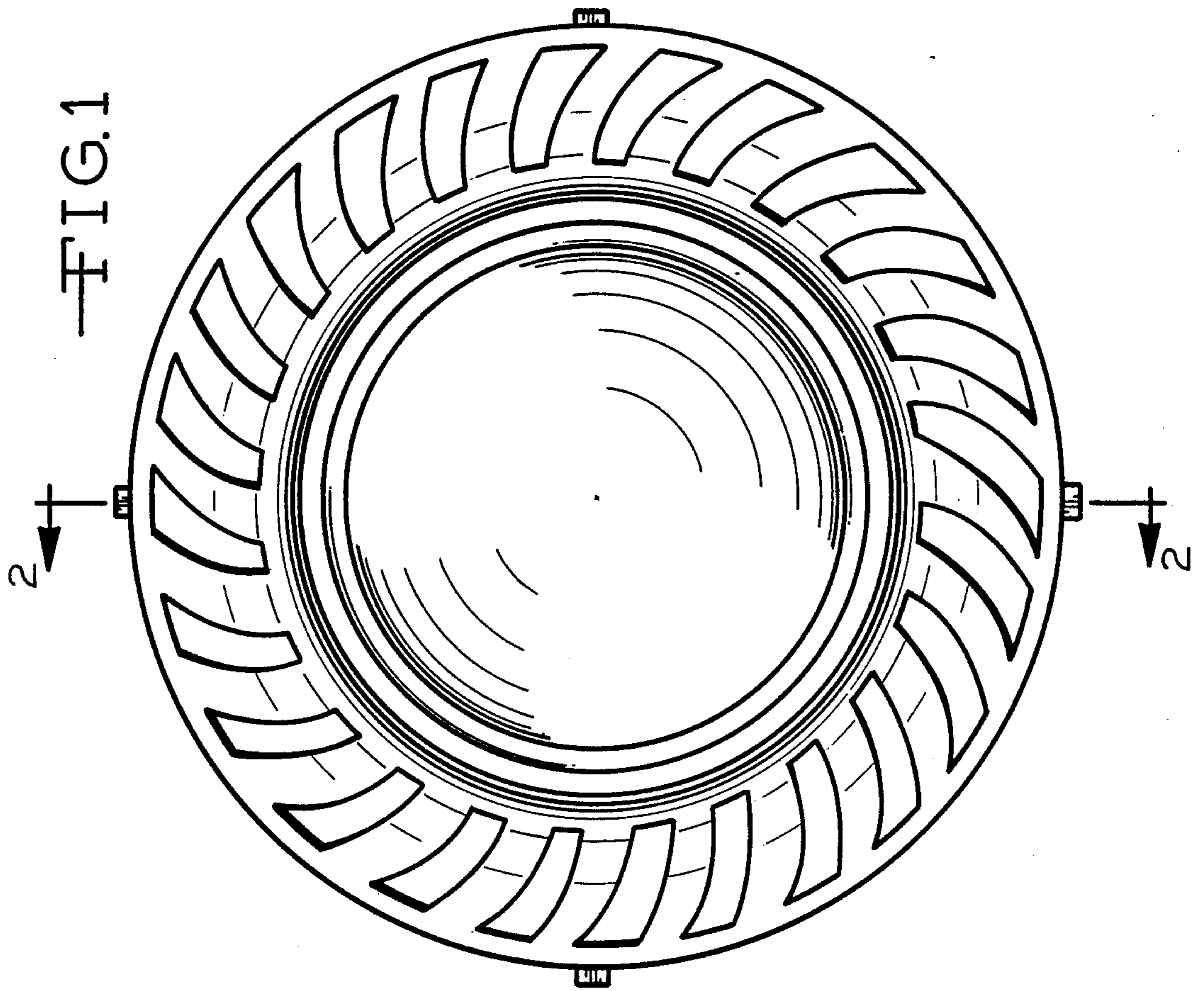


FIG. 2

FIG. 3

