

[54] SIDE VISOR FOR AUTOMOBILE

[75] Inventor: Yoichi Nagata, Chigasaki, Japan

[73] Assignee: Nagata Kogyo Kabushiki Kaisha, Japan

[**] Term: 14 Years

[21] Appl. No.: 164,004

[22] Filed: Mar. 4, 1988

[30] Foreign Application Priority Data

Oct. 29, 1987 [JP] Japan 62-44197

[52] U.S. Cl. D12/191; D12/181

[58] Field of Search D12/191, 181; 296/97.1, 296/97.2, 97.9, 154; 98/2.12, 2.13

[56] References Cited

U.S. PATENT DOCUMENTS

- 2,034,342 3/1936 Hay 160/DIG. 3
- 2,506,383 5/1950 Powers 296/154
- 4,685,718 8/1987 Steenblik et al. 98/2.12

OTHER PUBLICATIONS

J. C. Whitney catalog No. 487V, p. 132, Door Visor, top right side of page; p. 133, Vent/Visor, top right side of page.

Primary Examiner—James M. Gandy
Attorney, Agent, or Firm—Bruce L. Adams; Van C. Wilks

CLAIM

The ornamental design for side visor for automobile, as shown.

DESCRIPTION

FIG. 1 is a front perspective view of a side visor for automobile showing my new design; FIG. 2 is a top plan view thereof; FIG. 3 is a bottom plan view thereof; FIG. 4 is a left side elevational view thereof; FIG. 5 is a right side elevational view thereof; FIG. 6 is a front elevational view thereof; FIG. 7 is a rear elevational view thereof; and FIG. 8 is a sectional view thereof taken in the direction of the arrows on line 8—8 of FIG. 6.

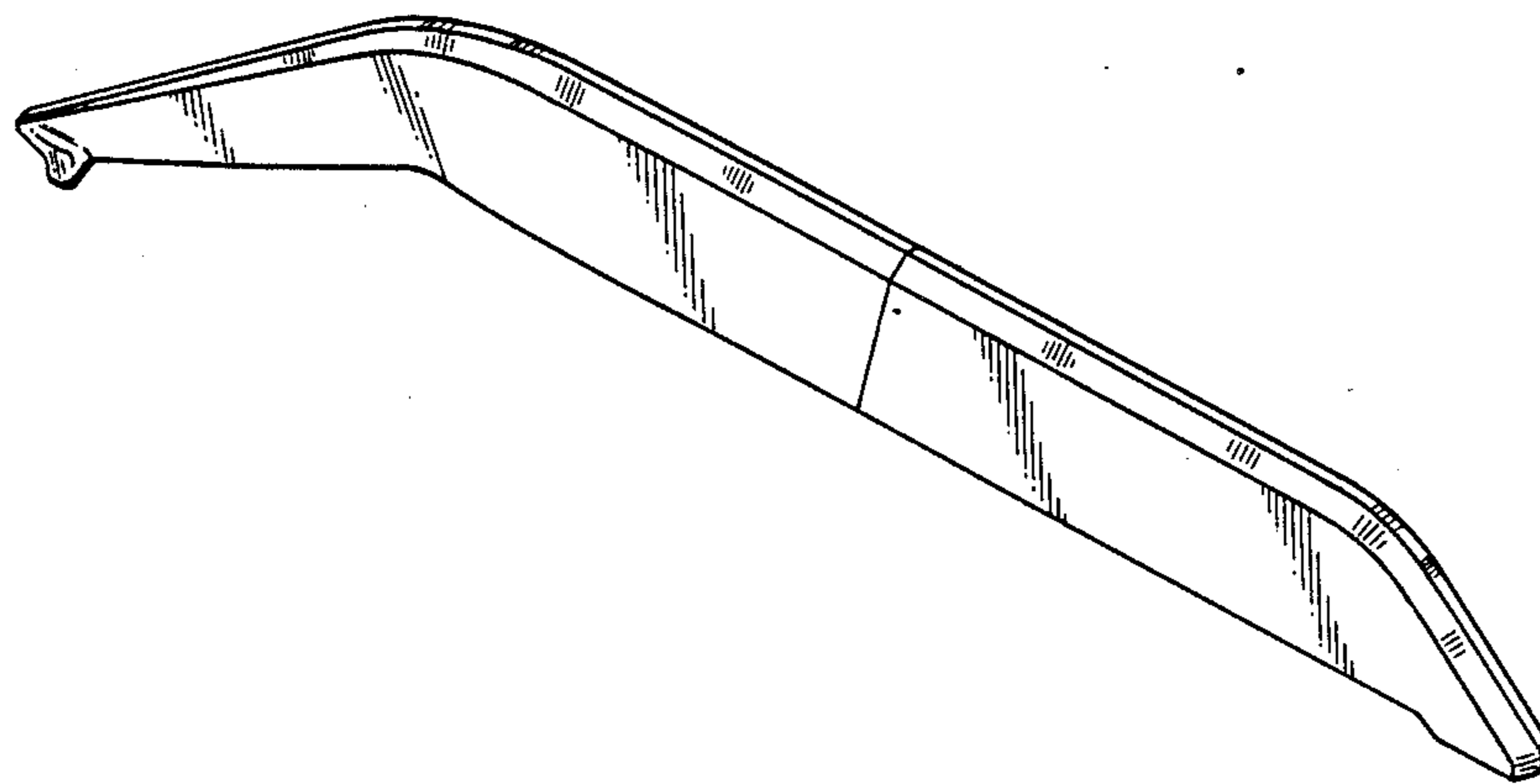


FIG. 1

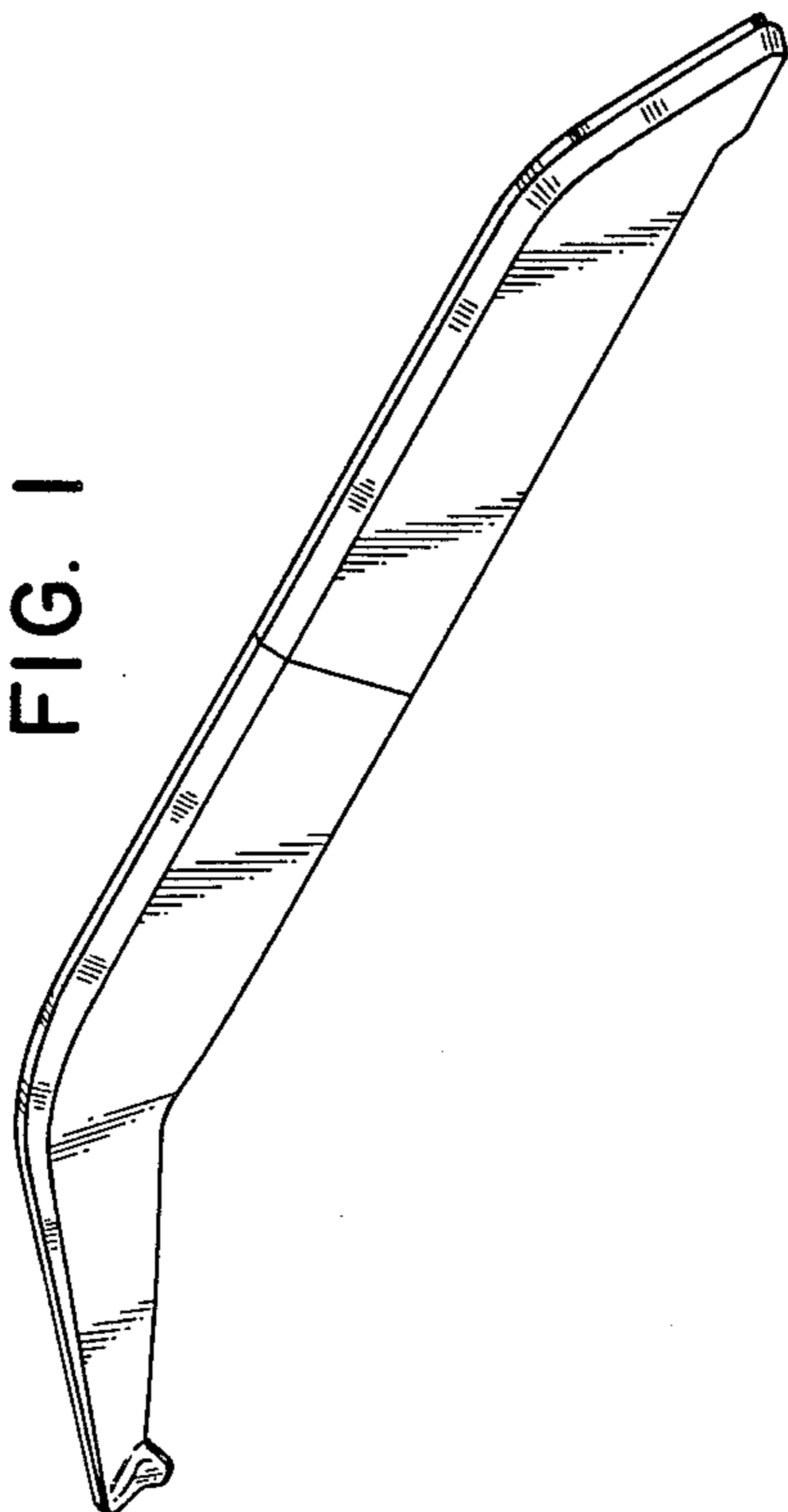


FIG. 4



FIG. 5



FIG. 2

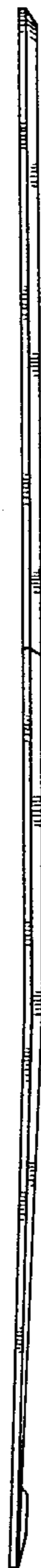


FIG. 3



FIG. 6

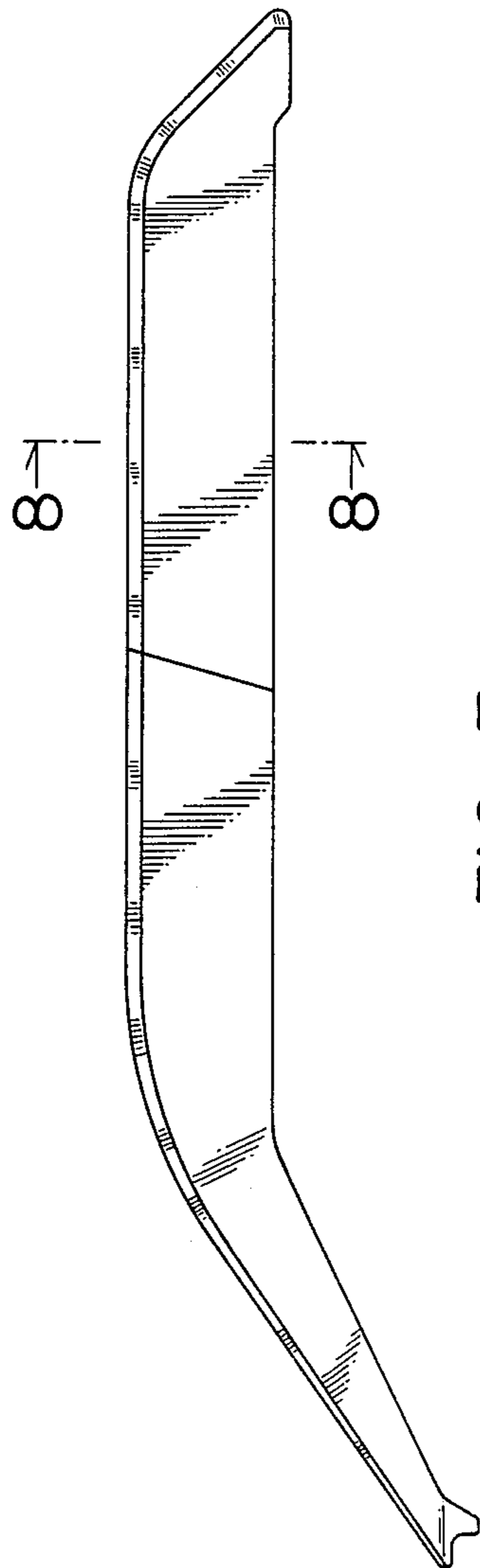


FIG. 7

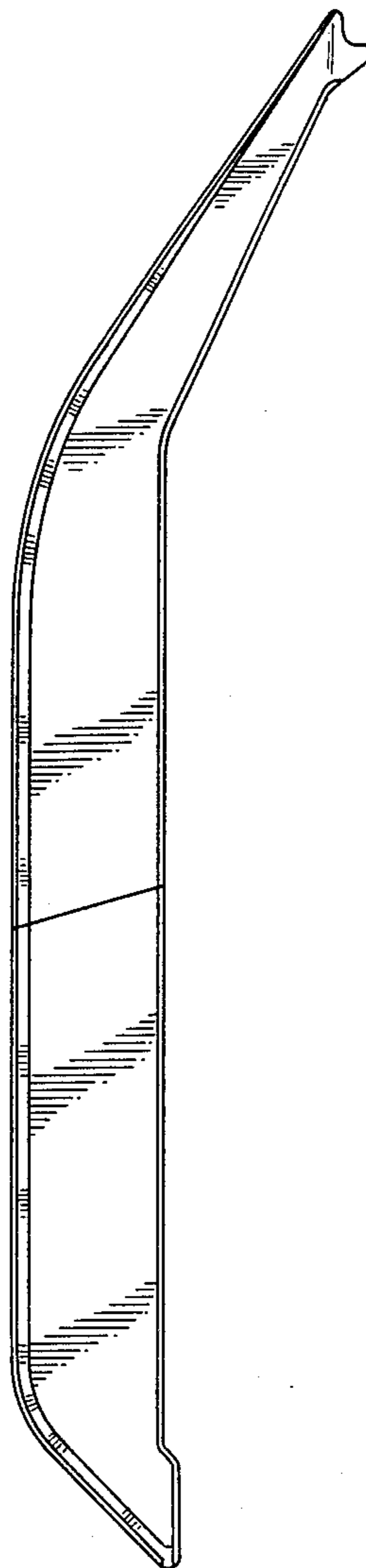


FIG. 8

