

[54] FINGER GRIP FOR BICYCLE BRAKE LEVERS

3,977,270 8/1976 Cristie ..... 74/489  
4,175,629 11/1979 Kalajzich ..... 74/502.2

[76] Inventor: Robert D. Grow, 2708 Green Bay Way, Sacramento, Calif. 95826

[\*\*] Term: 14 Years

[21] Appl. No.: 157,530

[22] Filed: Feb. 19, 1988

[52] U.S. Cl. .... D12/179; D8/308

[58] Field of Search ..... D12/179; 74/551.9, 502.2, 74/489; 135/72; D8/303, 308; D3/12, 16, 7

[56] References Cited

U.S. PATENT DOCUMENTS

- D. 62,155 3/1923 Tommasoni ..... D8/308
- D. 91,088 11/1933 Schnell ..... D8/308
- 3,875,819 4/1975 Haffner ..... 74/489

OTHER PUBLICATIONS

American Bicyclist & Motorcyclist, Apr. 1988, p. 6, Schwinn Finger Grip Lever (A & B).

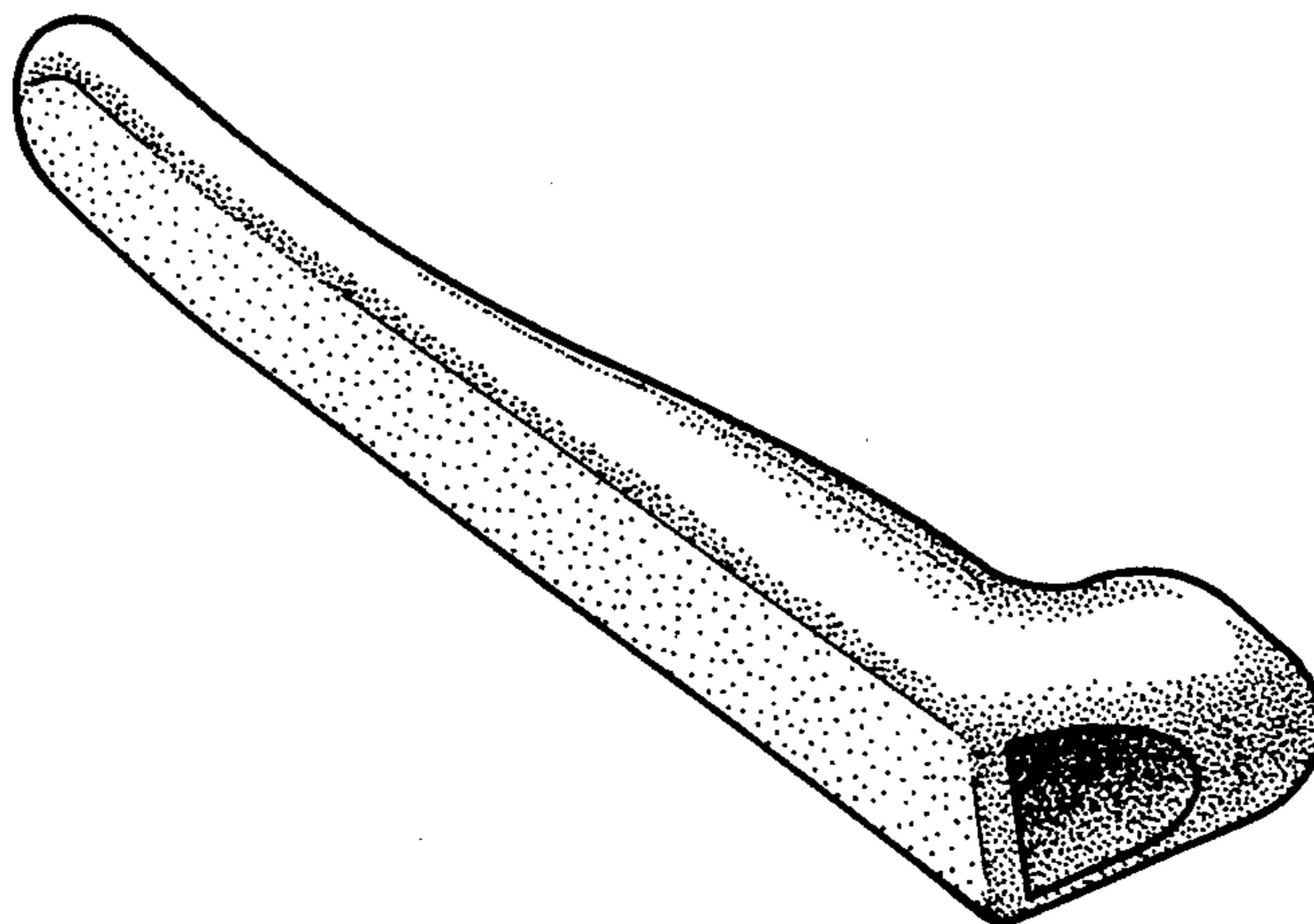
Primary Examiner—James M. Gandy  
Assistant Examiner—Melody N. Brown

[57] CLAIM

The ornamental design for finger grip for bicycle brake levers, as shown.

DESCRIPTION

FIG. 1 is a front elevation view of a finger grip for bicycle brake levers showing my new design; FIG. 2 is a side elevation view thereof; FIG. 3 is a rear elevation view thereof; and FIG. 4 is a perspective view thereof.



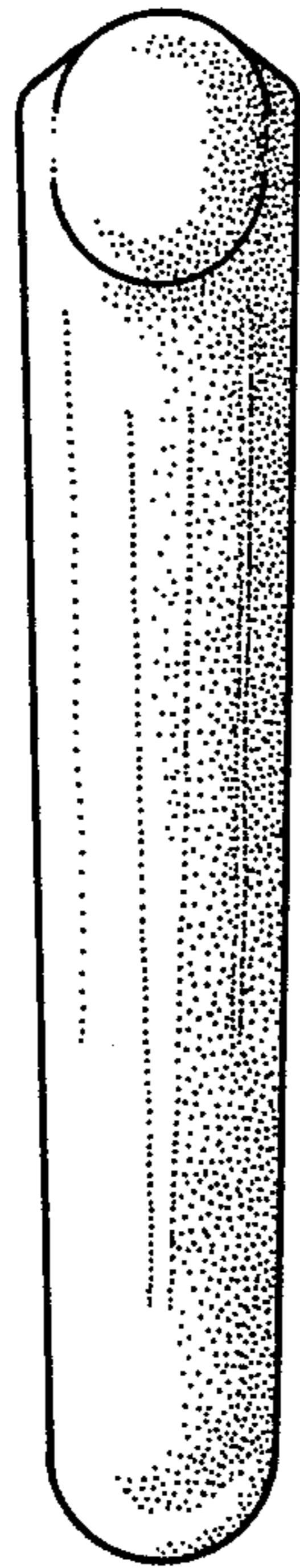


Fig. 1

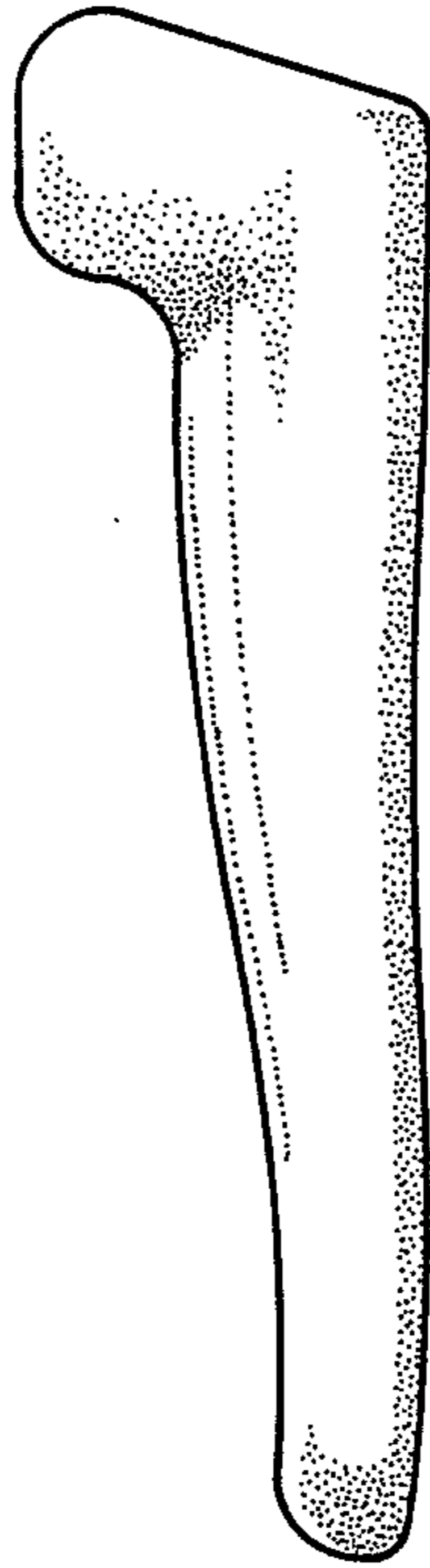


Fig. 2

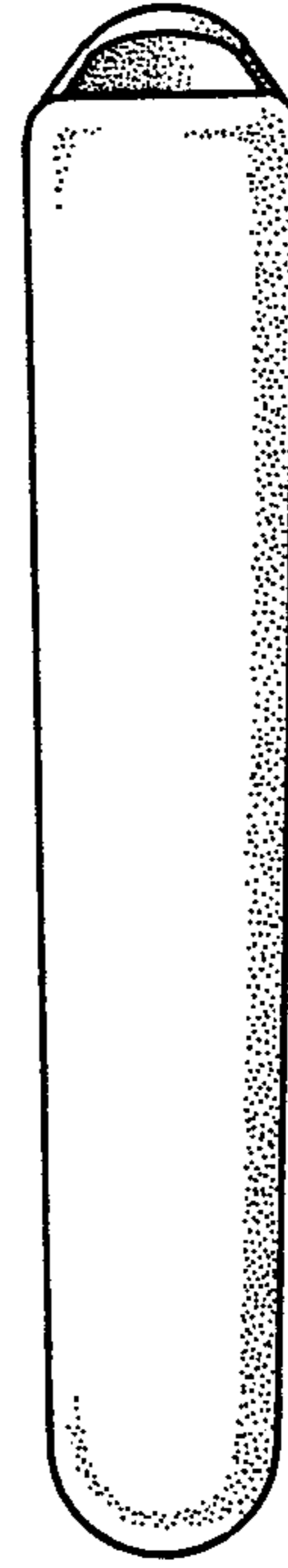


Fig. 3

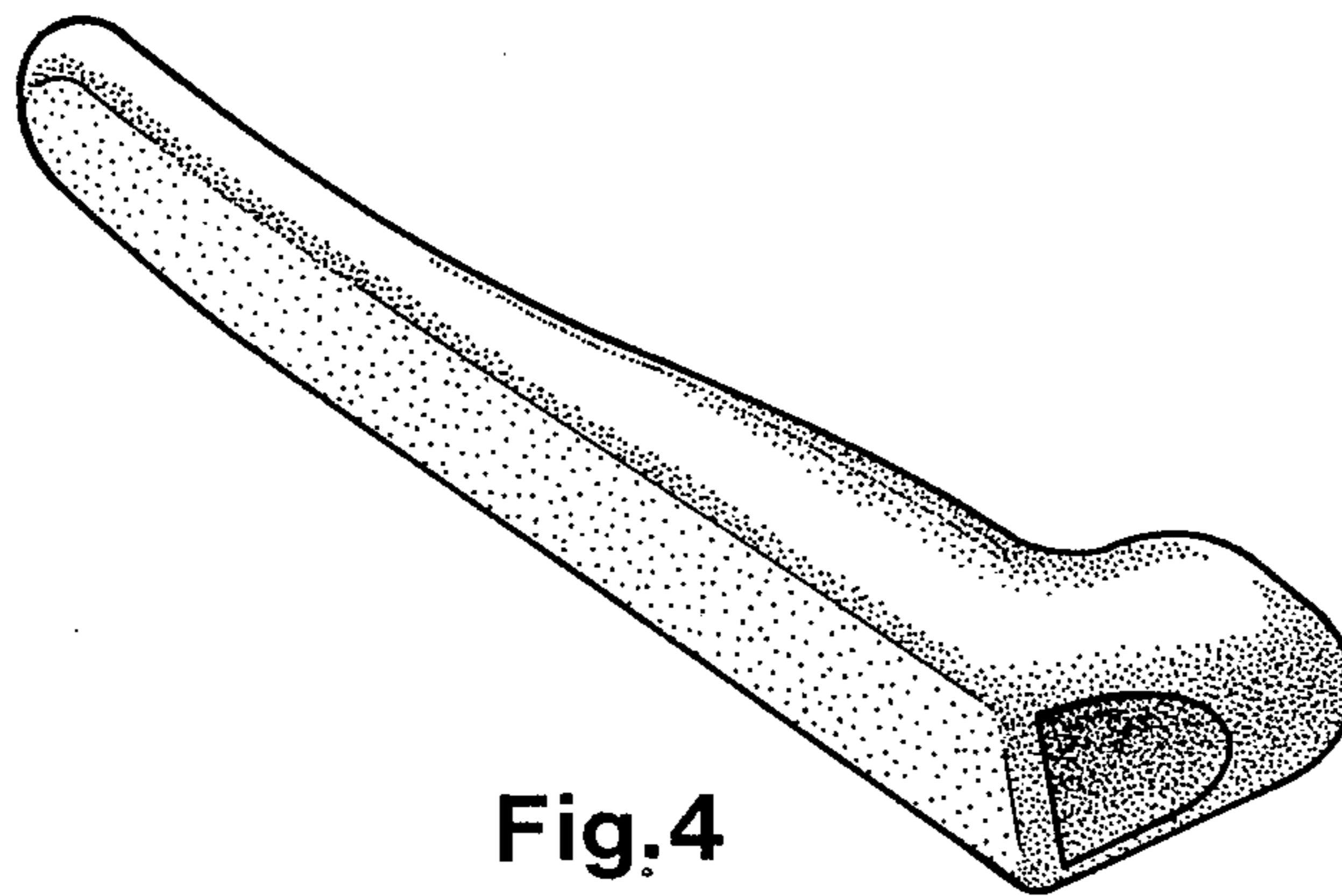


Fig. 4