

[54] FRONT GRILL FOR AN AUTOMOTIVE VEHICLE

[75] Inventor: Ermanno Cressoni, Arese, Italy

[73] Assignee: Alfa Romeo Auto S.p.A., Naples, Italy

[**] Term: 14 Years

[21] Appl. No.: 729,139

[22] Filed: Apr. 30, 1985

[30] Foreign Application Priority Data

Oct. 31, 1984 [IT] Italy 23665 /84[U]

[52] U.S. Cl. D12/163

[58] Field of Search D12/163; 180/68.6; D25/87, 88, 91

[56] References Cited

PUBLICATIONS

Road & Track, 2/84, p. 53, Alfa Romeo 33 Grill, lower left side of page.

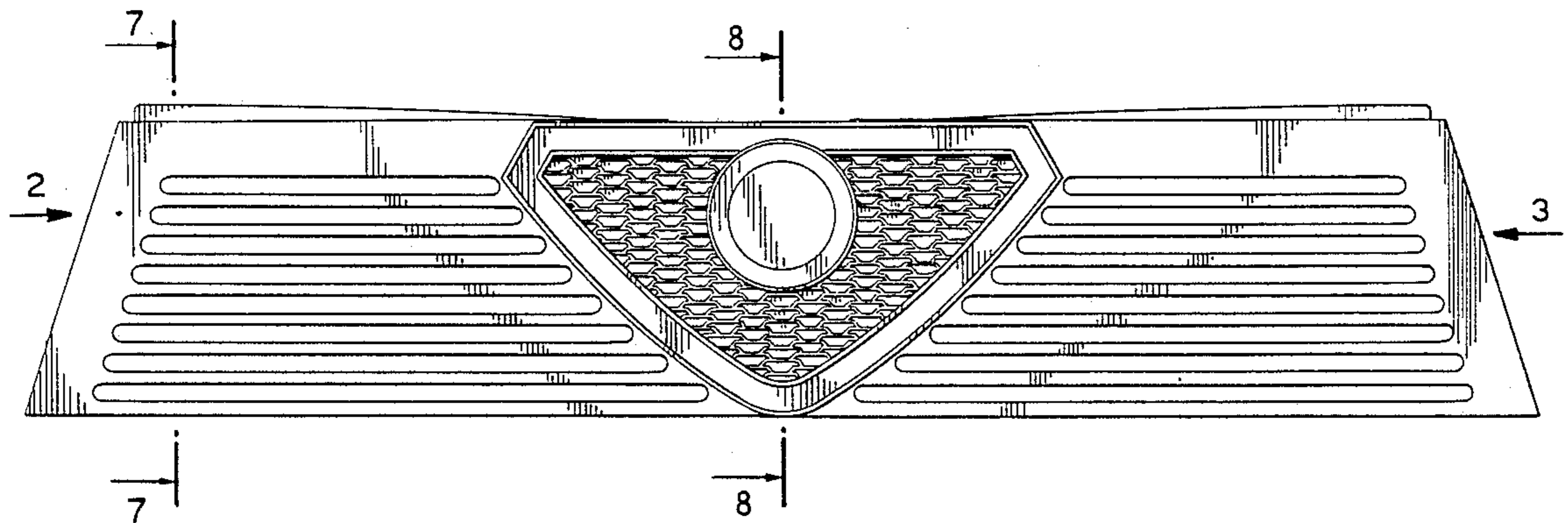
Primary Examiner—James M. Gandy
Attorney, Agent, or Firm—Charles E. Brown; Charles A. Brown

[57] CLAIM

The ornamental design for a front grill for an automotive vehicle, as shown.

DESCRIPTION

FIG. 1 is a front elevation view of a front grill for an automotive vehicle showing my new design;
FIG. 2 is a side elevation view thereof taken in the direction of the arrow 2 of FIG. 1;
FIG. 3 is a side elevation view thereof taken in the direction of the arrow 3 of FIG. 1;
FIG. 4 is a rear elevation view thereof taken in the direction of the arrow 4 of FIG. 5;
FIG. 5 is a top plan view thereof;
FIG. 6 is a bottom plan view thereof;
FIG. 7 is a sectional view thereof taken through the line 7—7 of FIG. 1;
FIG. 8 is a sectional view thereof taken through of line 8—8 of FIG. 1.



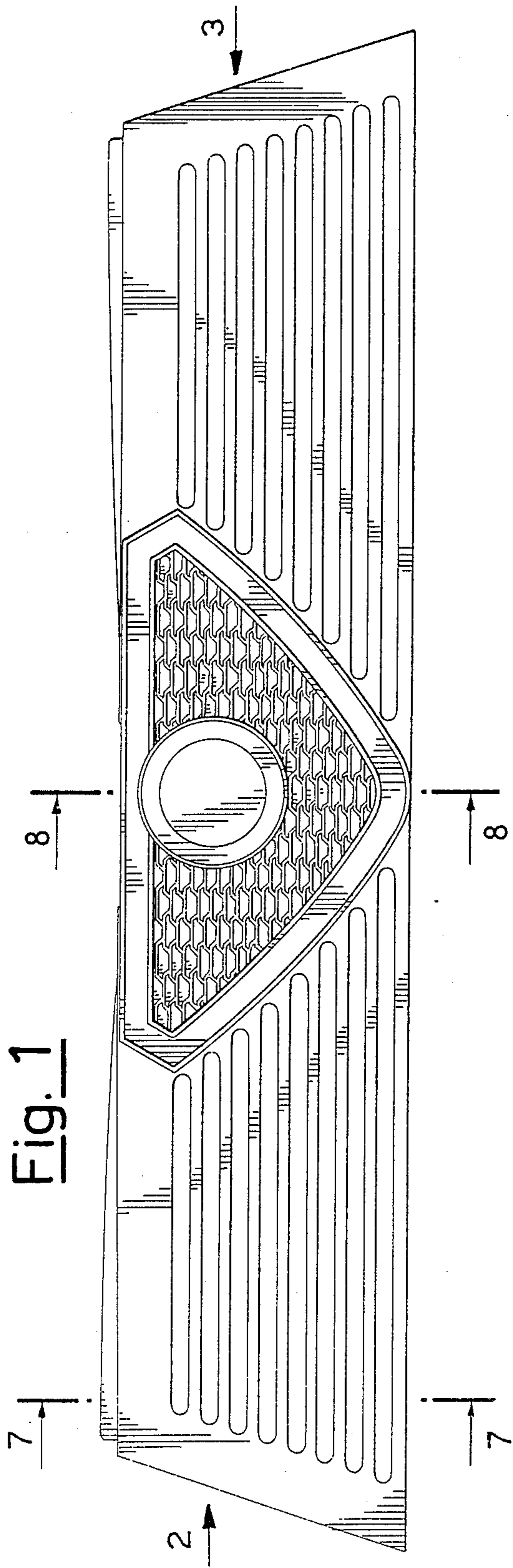


Fig. 1

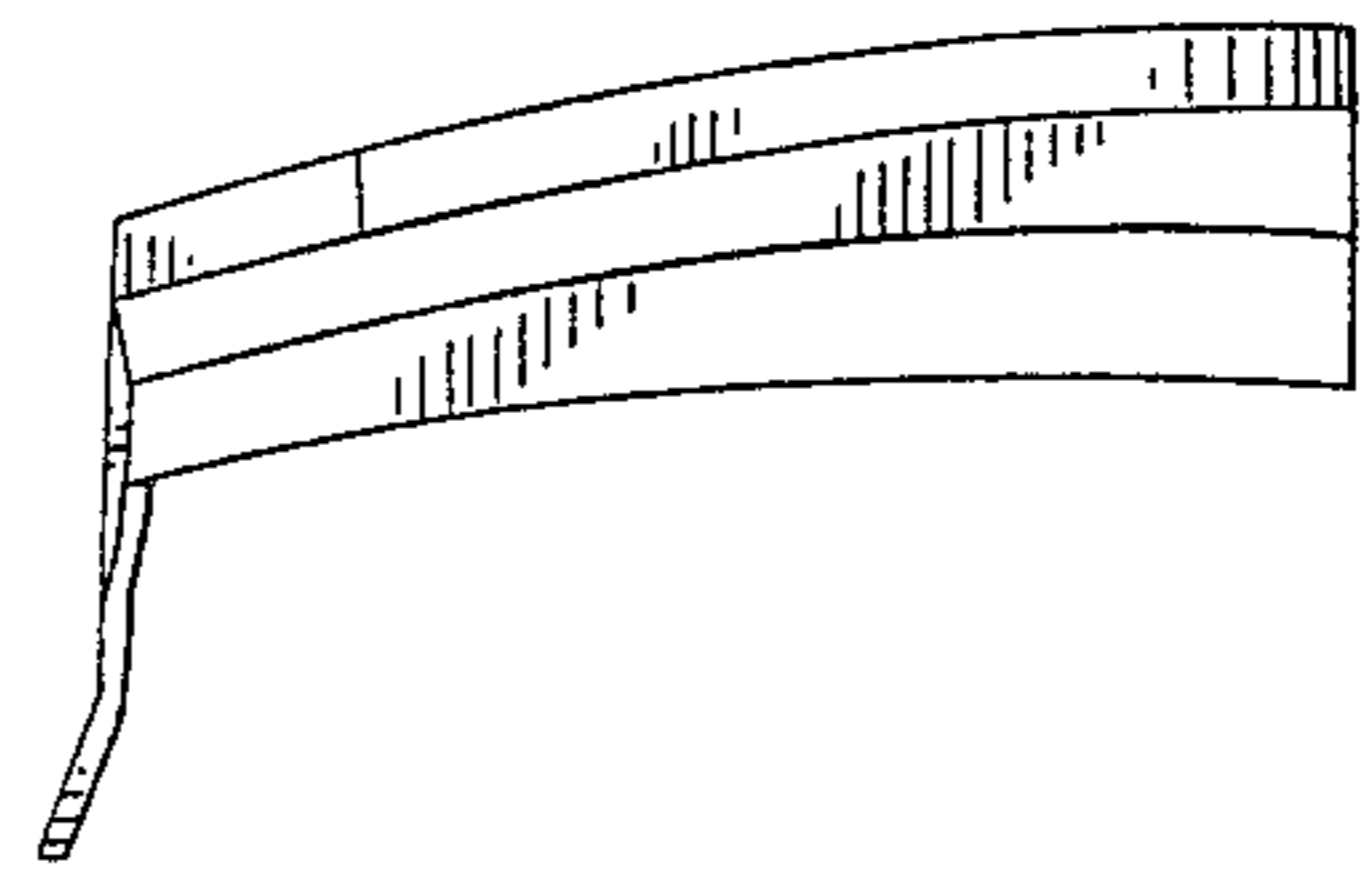


Fig. 2

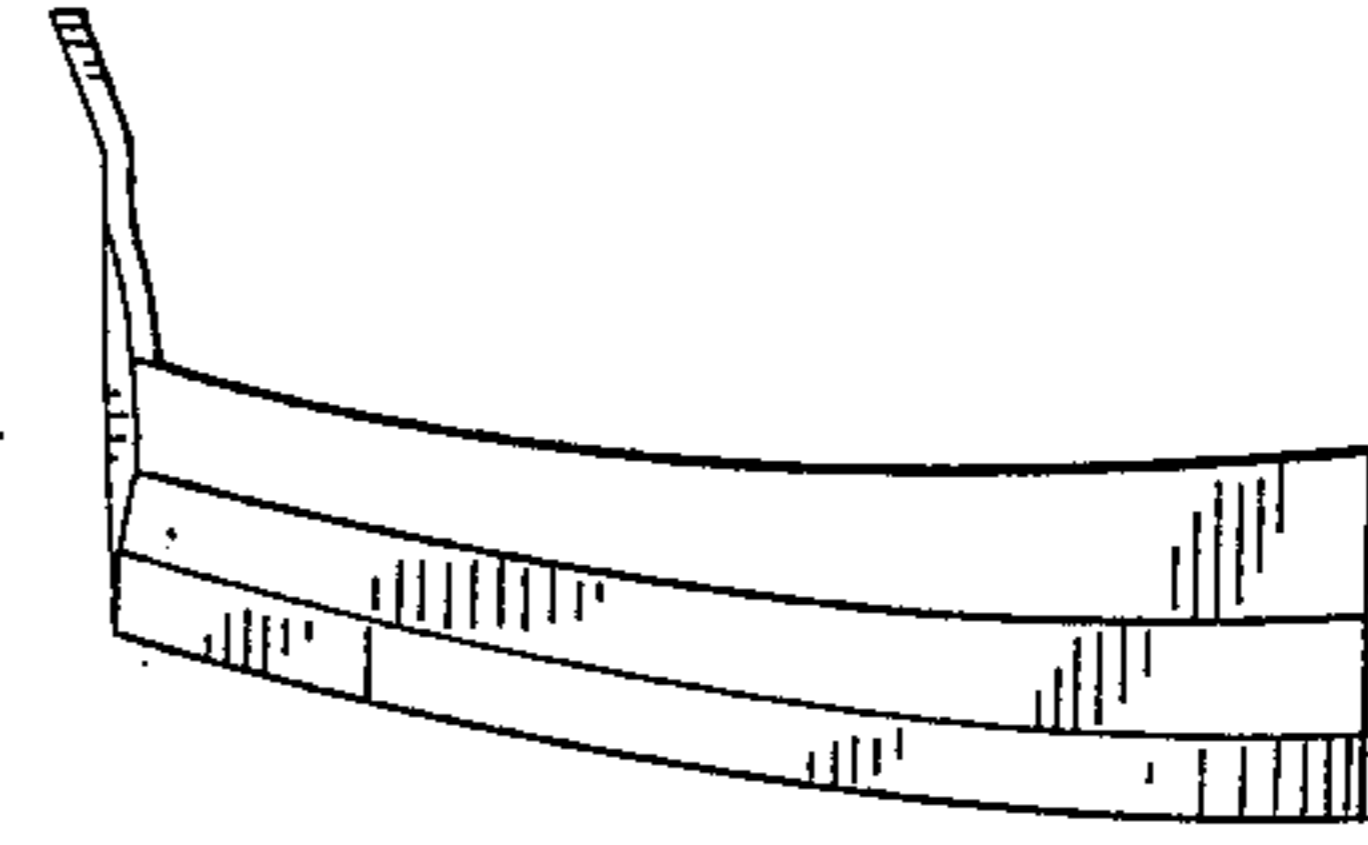
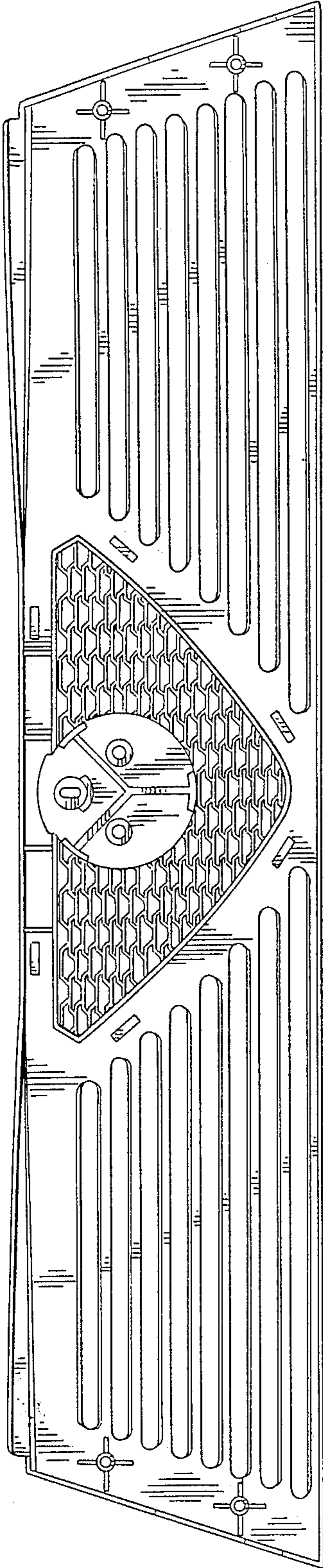


Fig. 3

Fig. 4



4 ↓ Fig. 5

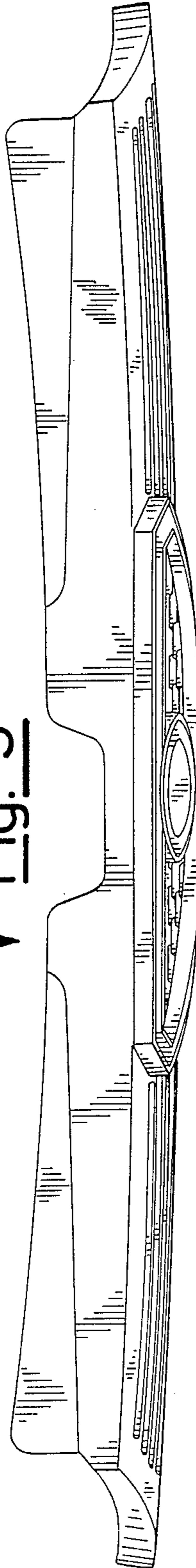
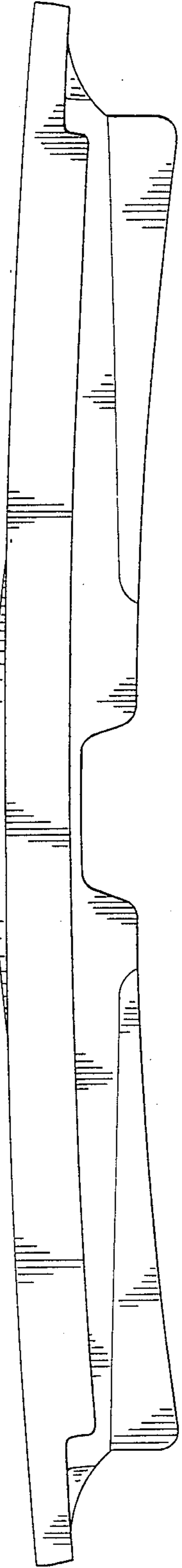


Fig. 6



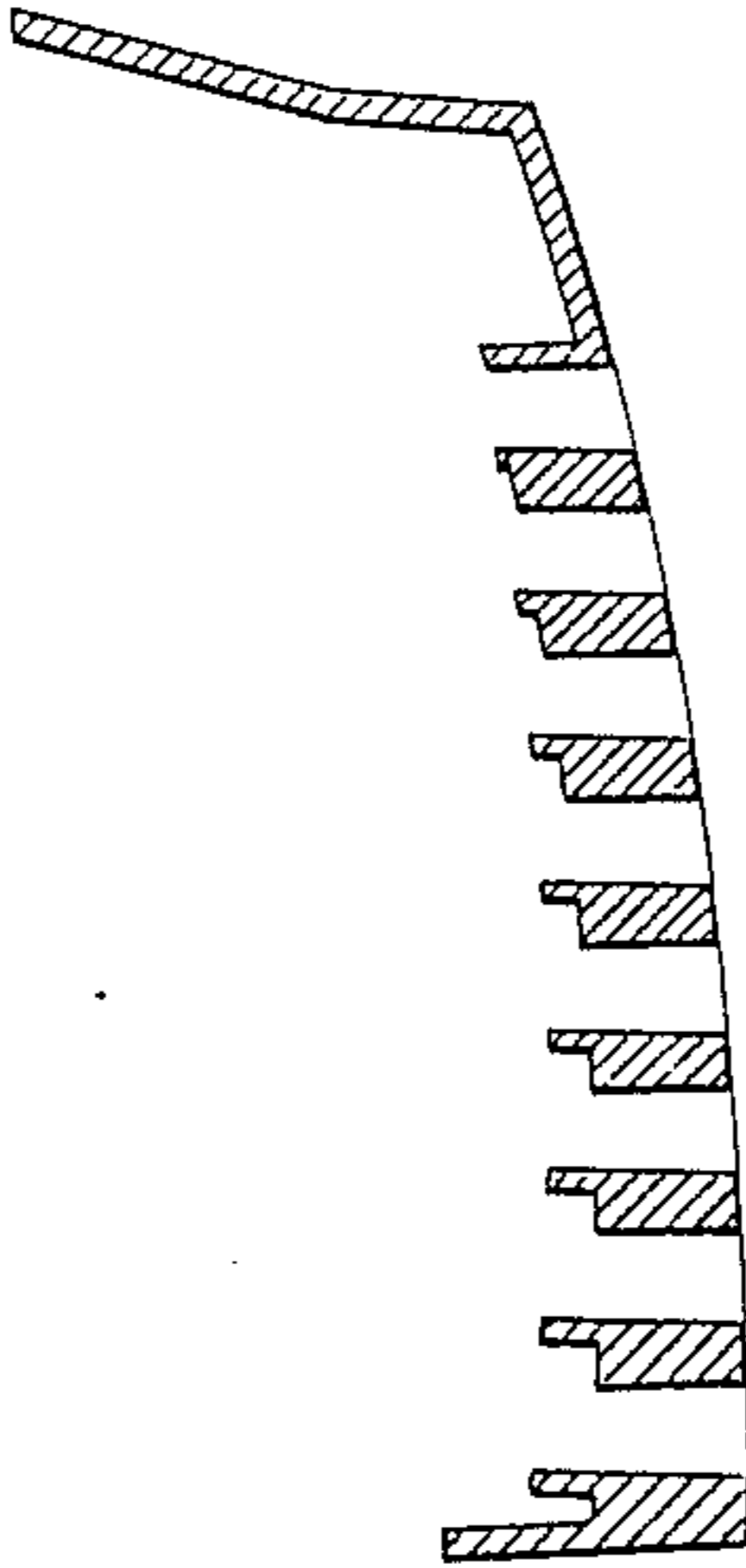


Fig. 7

Fig. 8

