

[54] **FOLDABLE ROLLING WALKER**
 [75] **Inventor: Eric P. Rose, Canoga Park, Calif.**
 [73] **Assignee: Guardian Products, Inc., Arleta, Calif.**
 [**] **Term: 14 Years**
 [21] **Appl. No.: 141,896**
 [22] **Filed: Jan. 11, 1988**
 [52] **U.S. Cl. D12/130; D12/128**
 [58] **Field of Search D12/128, 130; 280/87.02 W, 87.04 R; 272/70.3; 297/5, 6; D34/17; 135/67**

4,277,100 7/1981 Beougher 135/67
 4,289,156 9/1981 Ulics 135/66
 4,332,378 6/1982 Pryor 135/67
 4,341,381 7/1982 Norberg 135/67
 4,342,465 8/1982 Stillings 135/67
 4,387,891 6/1983 Knochel 135/67
 4,461,471 7/1984 Brastow 135/67
 4,510,956 4/1985 King 135/67

OTHER PUBLICATIONS

The DMA Advertisement Discloses Lightweight, Foldable Push Chairs—Brochure 7/1988.
 The Wheel-A-Walk® Advertisement Discloses a Rolling Walker with Adjustable Height Handles and Braking action—Advertisement 11/1988.
 The Rollator Kombi Advertisement Discloses a Rolling Walker Having Adjustable Height Handles and Brakes—Brochure 6/1988.
 The Uniscan Advertisement Discloses Rolling Walkers Which Fold and Provide Automatically—Locking Brake Action—Brochure 7/1988.
 The Odatt Medical Products, Inc. Advertisement Discloses Rolling Walkers Having a Seat Which can be Raised and Lowered, RX Home-Care, Nov. 1986.
 The American Walker Walk-A-Cycles Advertisement Discloses Rolling Walkers Having Adjustable Handles and Brakes, RX Home Care 1987 Buyers Guide.

[56] **References Cited**
U.S. PATENT DOCUMENTS

D. 281,771 12/1985 Webb D12/130
 D. 289,507 4/1987 Danielsson D12/130
 D. 293,663 1/1988 Erfarth D12/130
 1,917,440 7/1933 Finkbeiner et al. 135/67
 2,450,051 9/1948 Manning 280/647
 2,960,148 11/1960 Murcott 135/67
 2,996,070 8/1961 Ries 135/67
 3,098,651 7/1963 Murcott 272/70.3
 3,194,577 7/1965 Berlin 280/643
 3,350,095 10/1967 Clasen 297/6
 3,354,893 11/1967 Schmerl 297/6
 3,397,883 8/1968 Kiehn 297/5
 3,398,974 8/1968 Edwards et al. 297/5
 3,778,052 12/1973 Andow et al. 135/67
 3,872,945 3/1975 Hickman 297/5
 3,945,389 3/1976 Smith 135/45 A
 3,999,228 12/1976 Thomas 297/5
 4,046,374 9/1977 Breyley 272/70.3
 4,086,932 5/1978 Richardson 135/67
 4,094,330 6/1978 Jong 135/67
 4,159,110 6/1979 Dodenhoff 297/5
 4,164,354 8/1979 Rodaway 280/42
 4,187,869 2/1980 Marchetti 135/67
 4,188,966 2/1980 Palmer 135/67
 4,211,309 7/1980 Ruggiero 297/5
 4,211,426 7/1980 Motloch 297/5
 4,251,044 2/1981 Olson 135/67
 4,251,105 2/1981 Barker 297/6
 4,253,678 3/1981 Leclerc 297/6
 4,254,948 3/1981 Jacobs 297/5
 4,261,804 4/1981 Mueller 272/70.3
 4,272,071 6/1981 Bolton 135/67

Primary Examiner—Wallace R. Burke
Assistant Examiner—Kay H. Chin
Attorney, Agent, or Firm—Christie, Parker & Hale

[57] **CLAIM**

The ornamental design for a foldable rolling walker, as shown and described.

DESCRIPTION

FIG. 1 is a front perspective view of a foldable rolling walker showing my new design;
 FIG. 2 is a side elevational view thereof, the opposite side view being a mirror image of that shown;
 FIG. 3 is a front elevational view thereof;
 FIG. 4 is a top plan view thereof;
 FIG. 5 is a rear elevational view thereof;
 FIG. 6 is a top plan view thereof in a folded condition;
 FIG. 7 is a front elevational view of FIG. 6;
 FIG. 8 is a side elevational view of FIG. 6;
 FIG. 9 is a rear elevational view of FIG. 6.

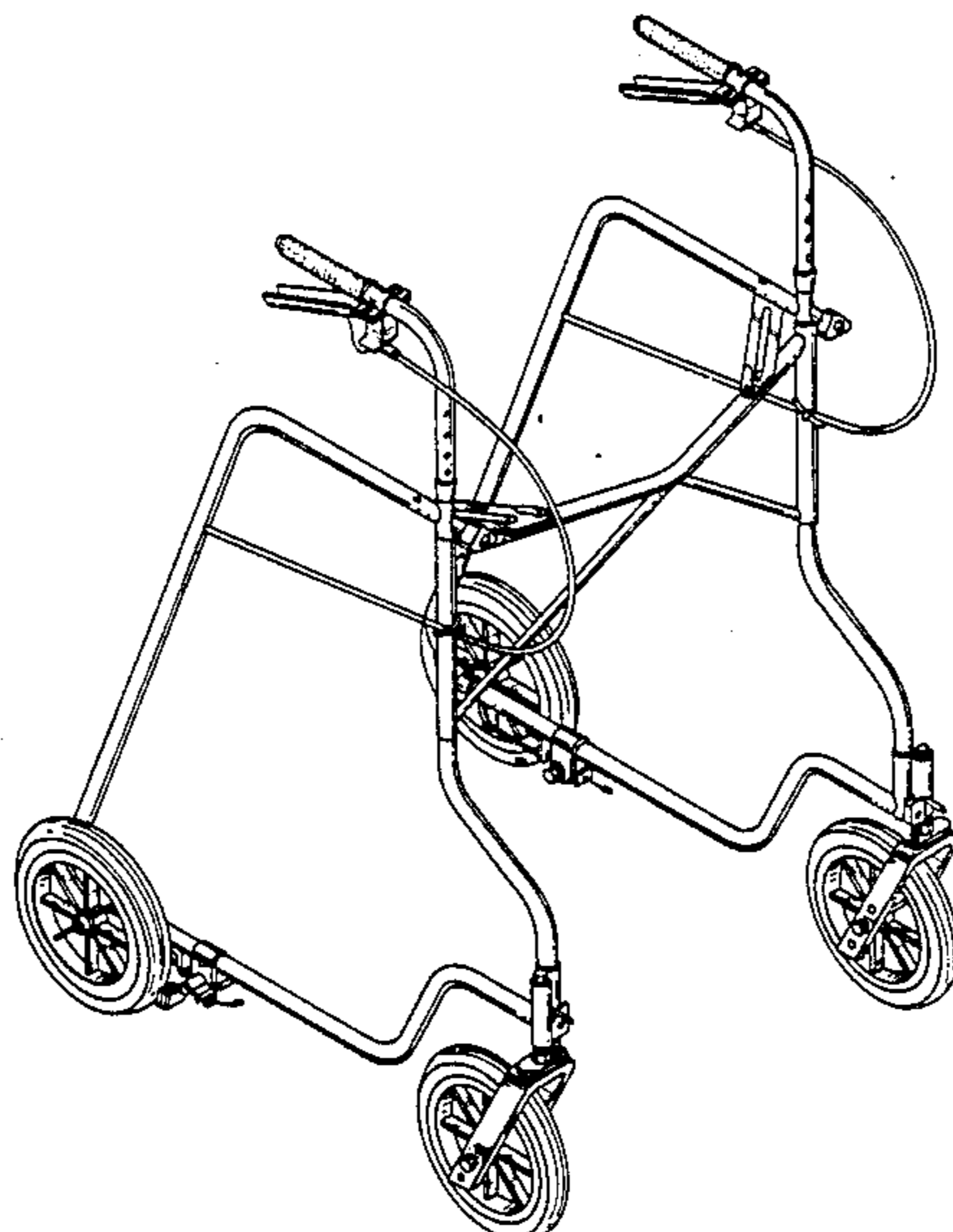
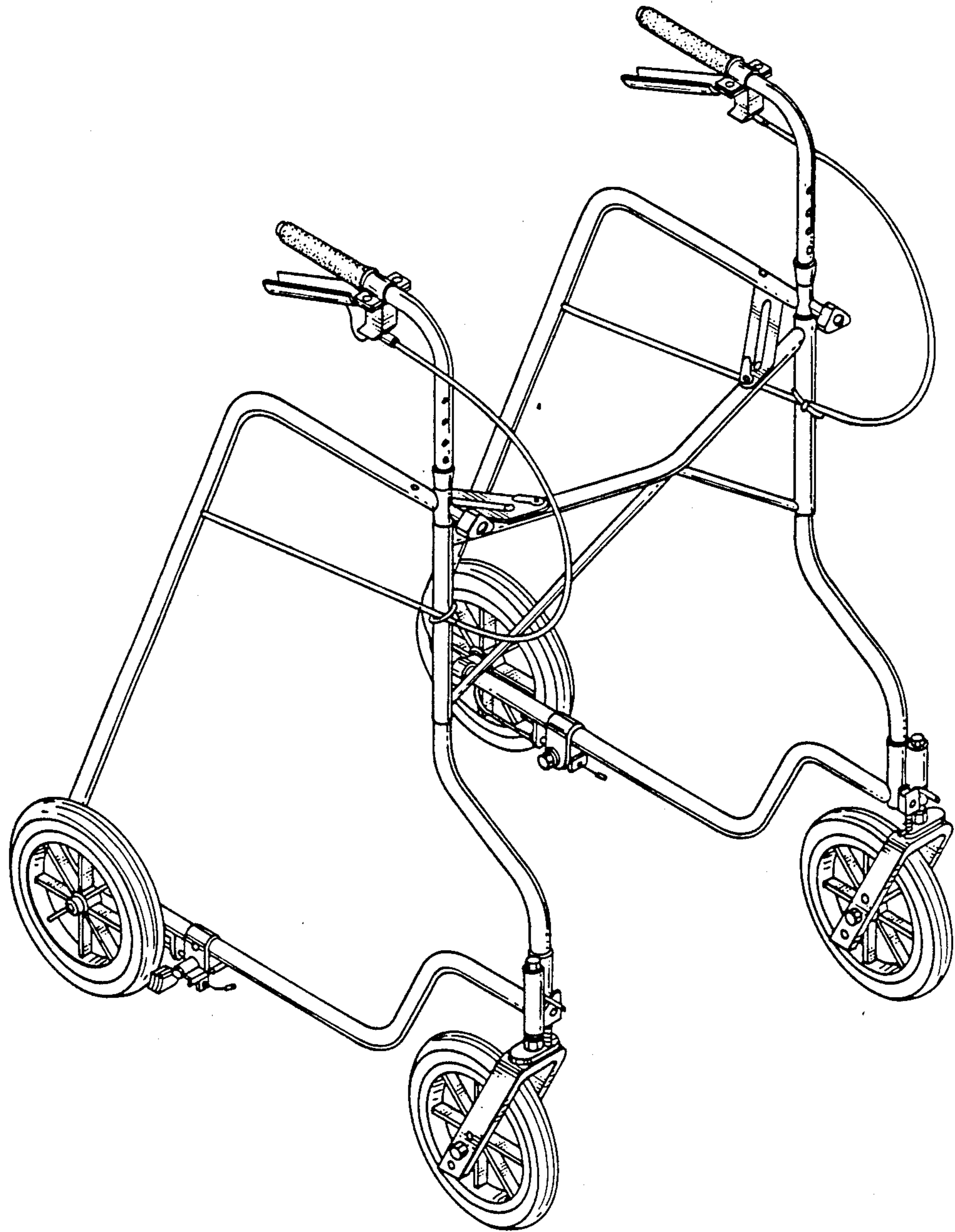


Fig. 1



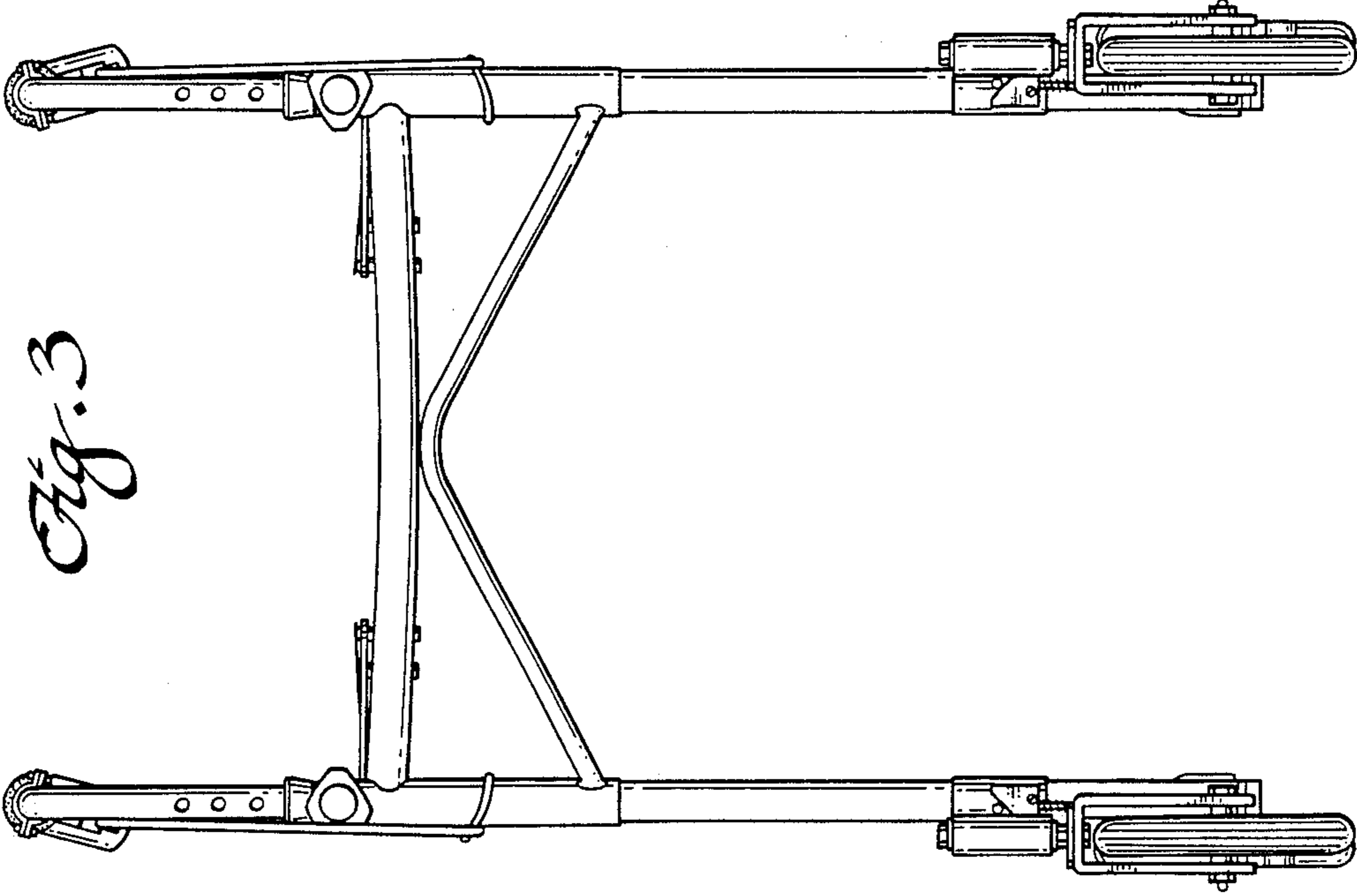


Fig. 3

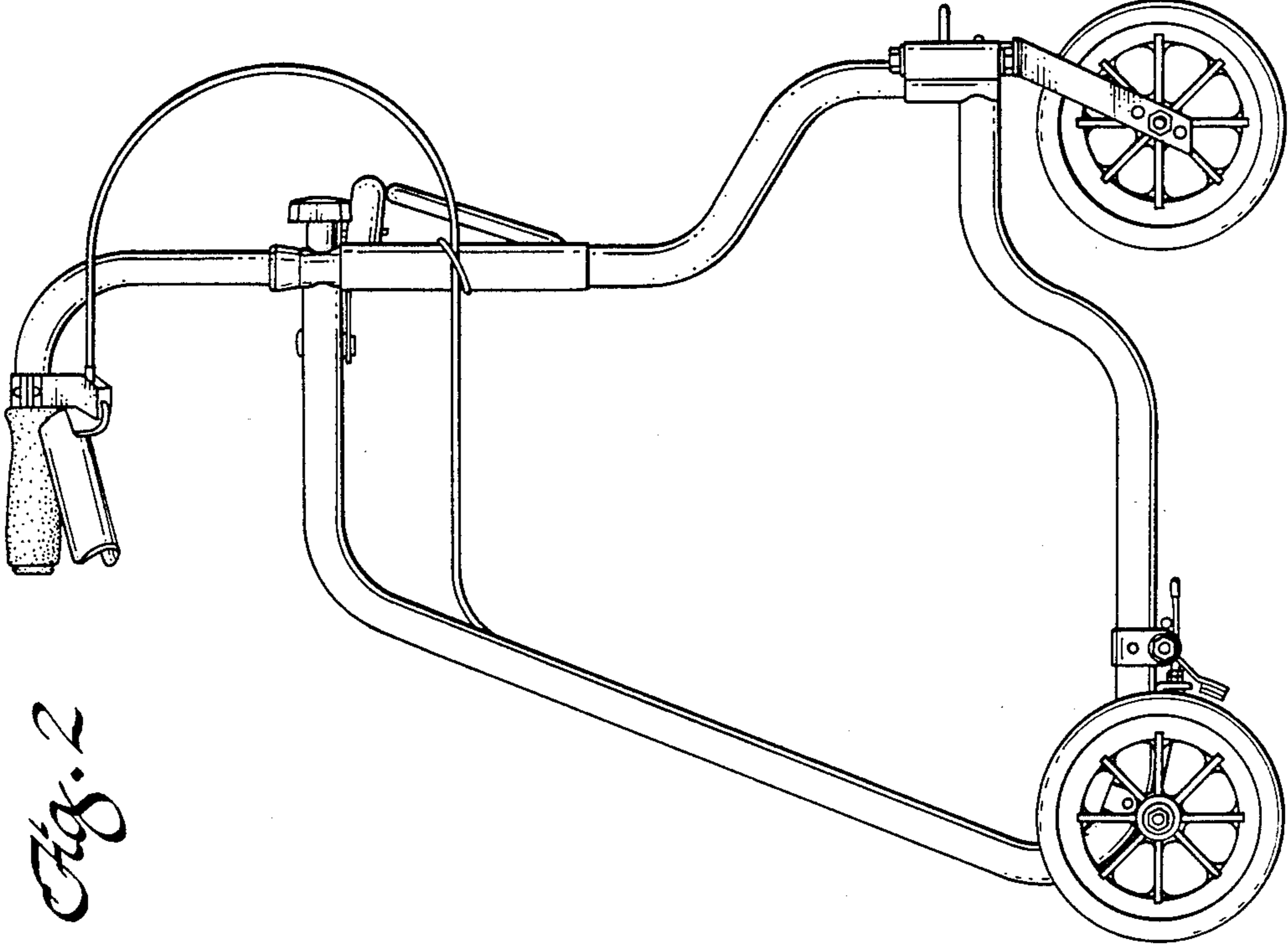


Fig. 2

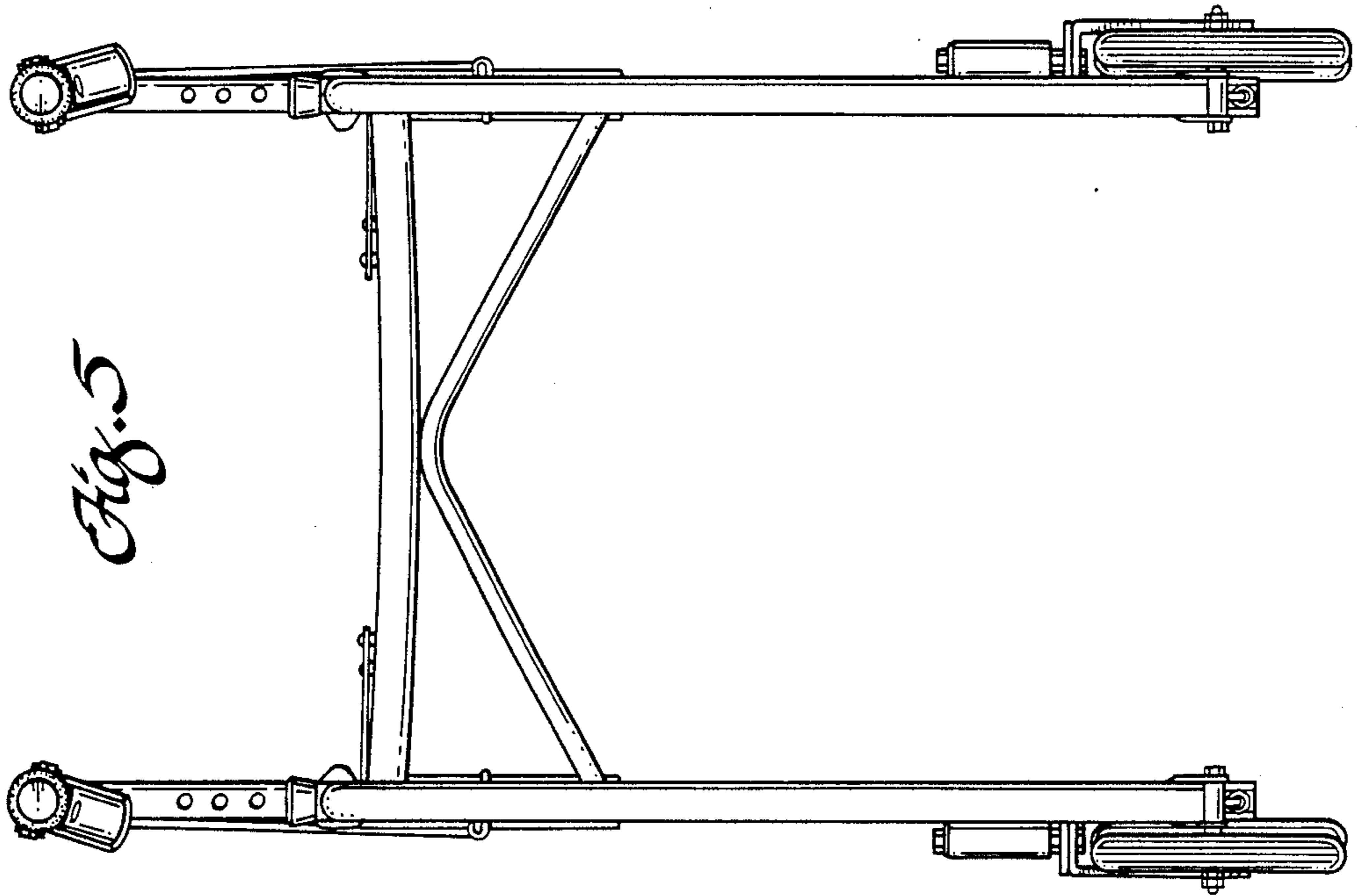


Fig. 5

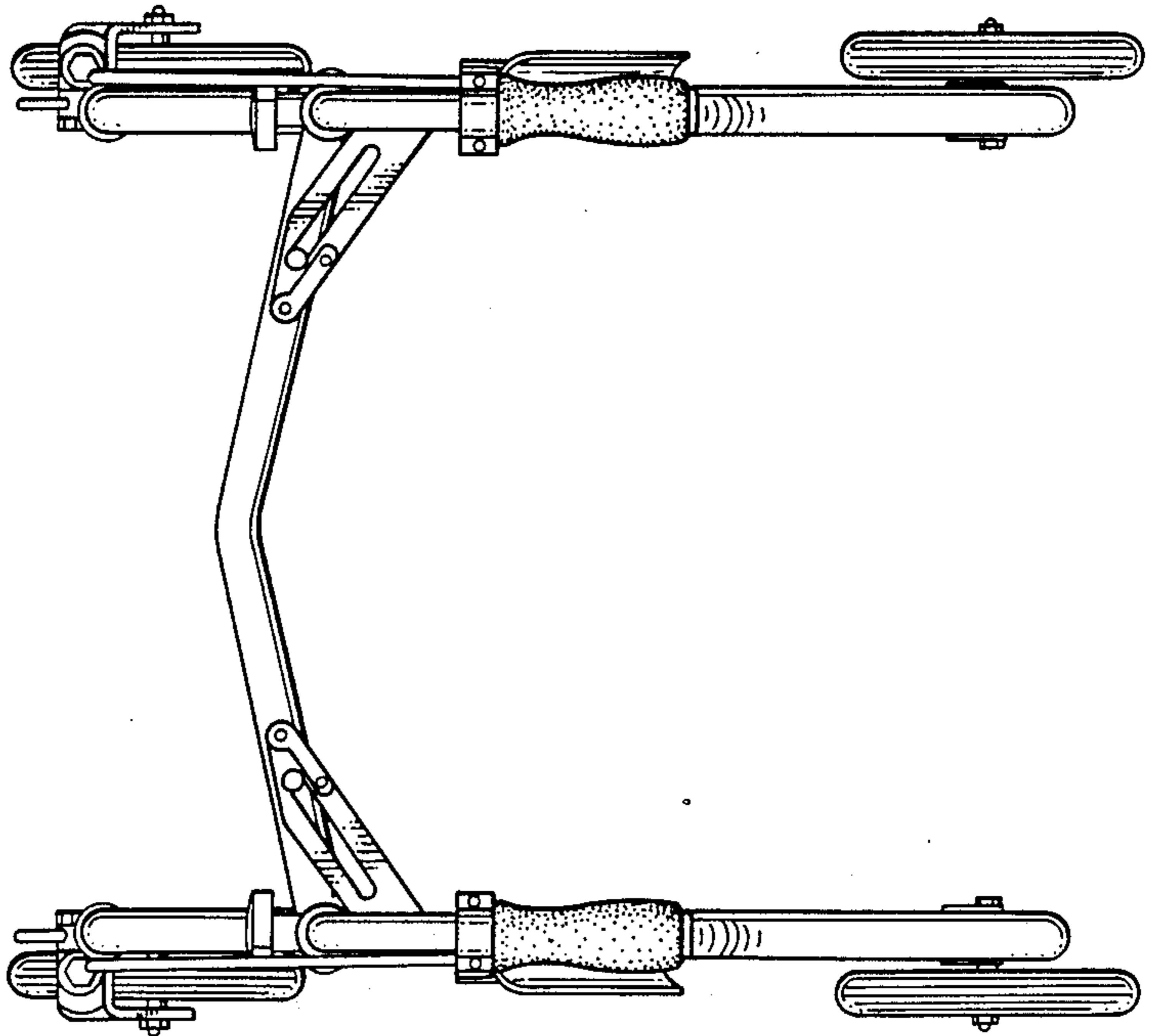


Fig. 4

Fig. 6

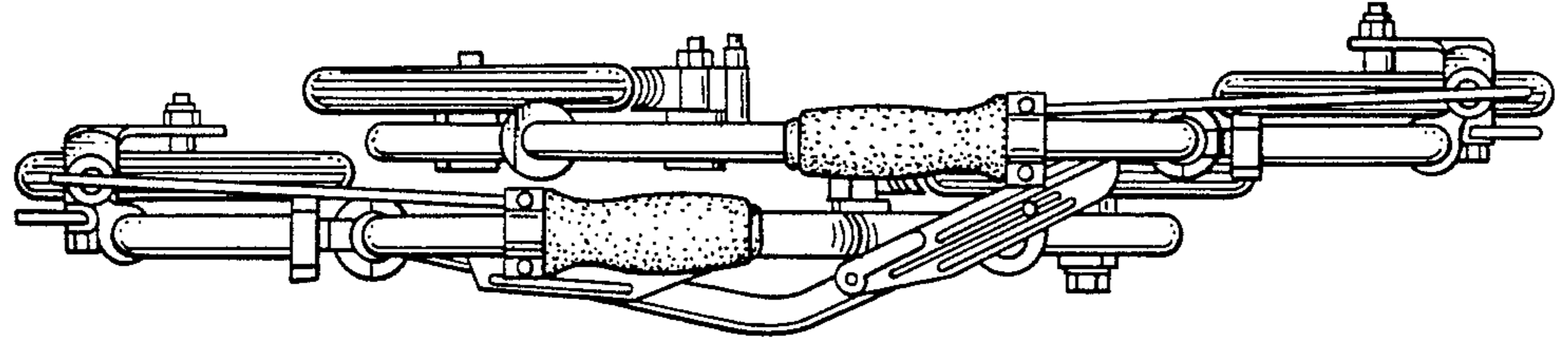


Fig. 7

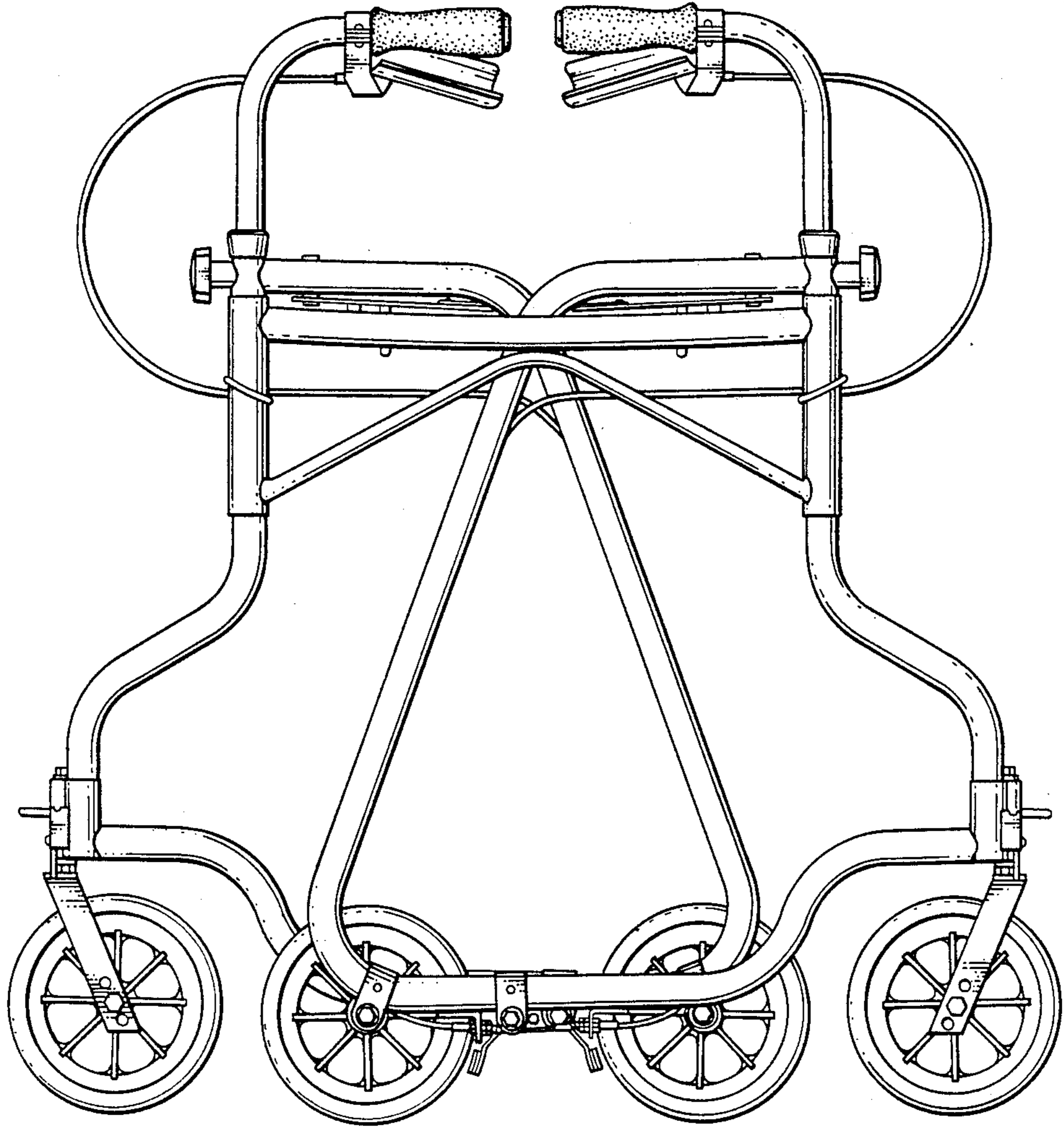


Fig. 8

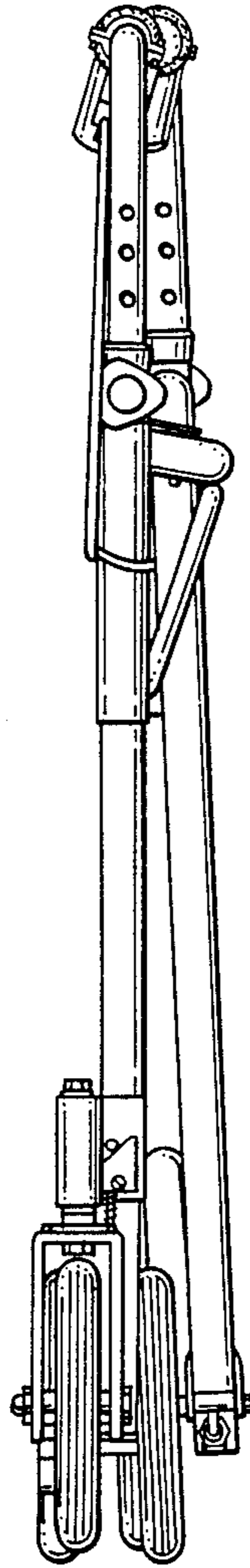
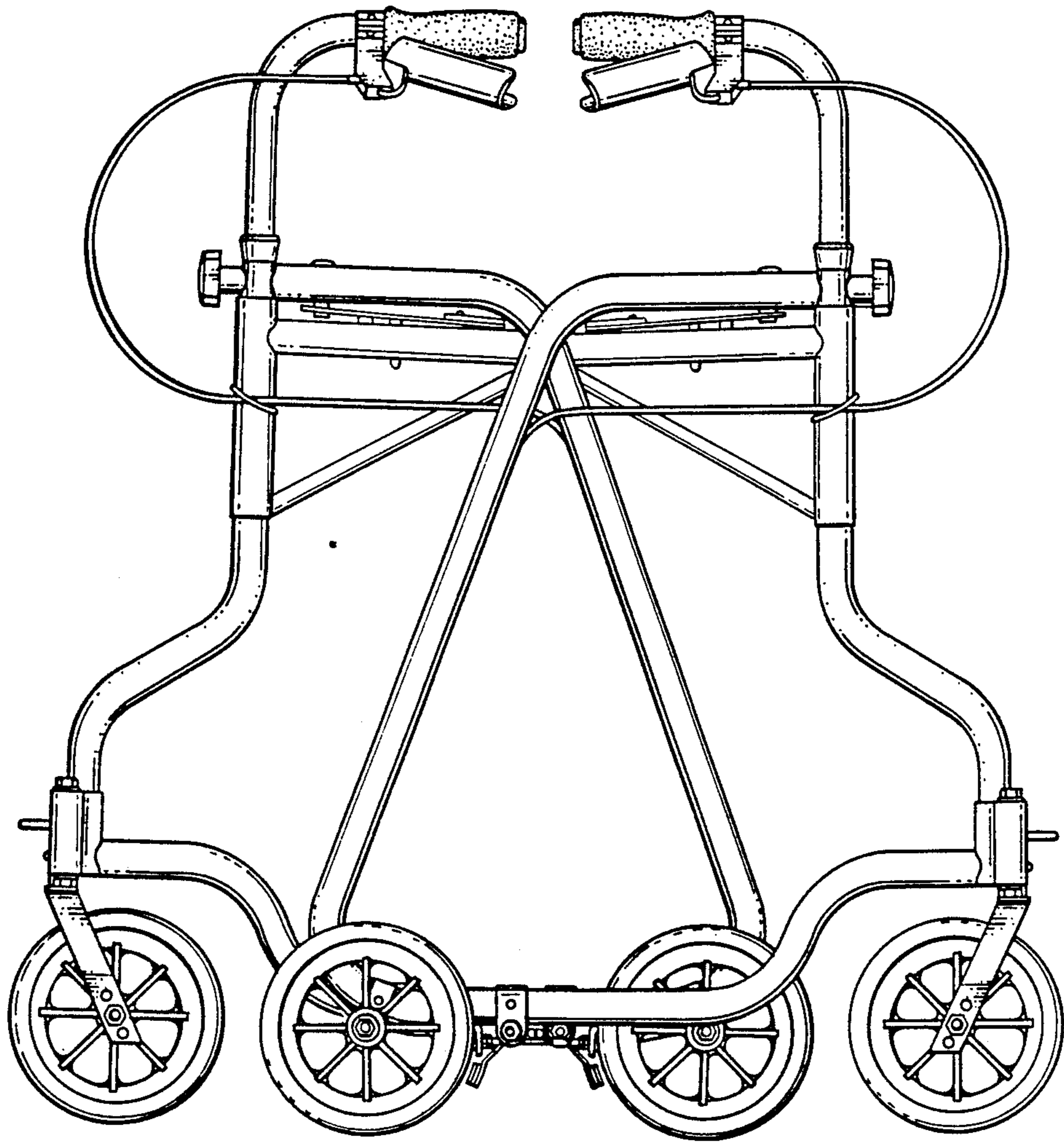


Fig. 9



UNITED STATES PATENT AND TRADEMARK OFFICE
CERTIFICATE OF CORRECTION

PATENT NO. : Des. 310,646
DATED : September 18, 1990
INVENTOR(S) : Eric P. Rose

It is certified that error appears in the above-identified patent and that said Letters Patent is hereby corrected as shown below:

Title page:

[56] References Cited, U.S. PATENT DOCUMENTS,
change "4,261,804 4/1981 Mueller"
to -- "4,261,804 11/1986 Mueller --.

**Signed and Sealed this
Twenty-eighth Day of January, 1992**

Attest:

Attesting Officer

HARRY F. MANBECK, JR.

Commissioner of Patents and Trademarks