

[54] CONVERTIBLE BABY STROLLER

[75] Inventor: Francois Julien, Biarritz, France

[73] Assignee: Baby Relax, Anglet, France

[**] Term: 14 Years

[21] Appl. No.: 189,854

[22] Filed: May 3, 1988

[30] Foreign Application Priority Data

Nov. 3, 1987 [FR] France 786502

[52] U.S. Cl. D12/129

[58] Field of Search D12/129, 128; 280/647, 280/36, 650, 642, 643, 649; 297/45, 39

[56] References Cited

U.S. PATENT DOCUMENTS

D. 293,662	1/1988	Nakao	D12/129
D. 298,925	12/1988	Nakao et al.	D12/129
D. 300,310	3/1989	Kassai	D12/129
3,019,028	1/1962	Hedstrom	280/36

Primary Examiner—Wallace R. Burke
Assistant Examiner—Kay H. Chin
Attorney, Agent, or Firm—Nies, Kurz, Bergert & Tamburro

[57] CLAIM

The ornamental design for a convertible baby stroller, as shown and described.

DESCRIPTION

FIG. 1 is a front perspective view of a convertible baby stroller showing my new design; FIG. 2 is a left side perspective view thereof, the right side view being a mirror image of that shown; FIG. 3 is a front perspective view thereof; FIG. 4 is a rear perspective view thereof, with the handle in an alternate position; FIG. 5 is a rear perspective view of FIG. 4, with the front portion of the hood in folded condition; FIG. 6 is a rear perspective view of FIG. 4, with the back rest in a raised position and the foot rest in a lowered position; FIG. 7 is a left side elevational view thereof, with the back rest in a raised position and the hood assembly attached in place; FIG. 8 is a right side elevational view of FIG. 7, with the handle in the first position; FIG. 9 is a front perspective view of FIG. 7; FIG. 10 is a right side elevational view of FIG. 8, with the hood assembly removed; and FIG. 11 is a front perspective view of FIG. 10.

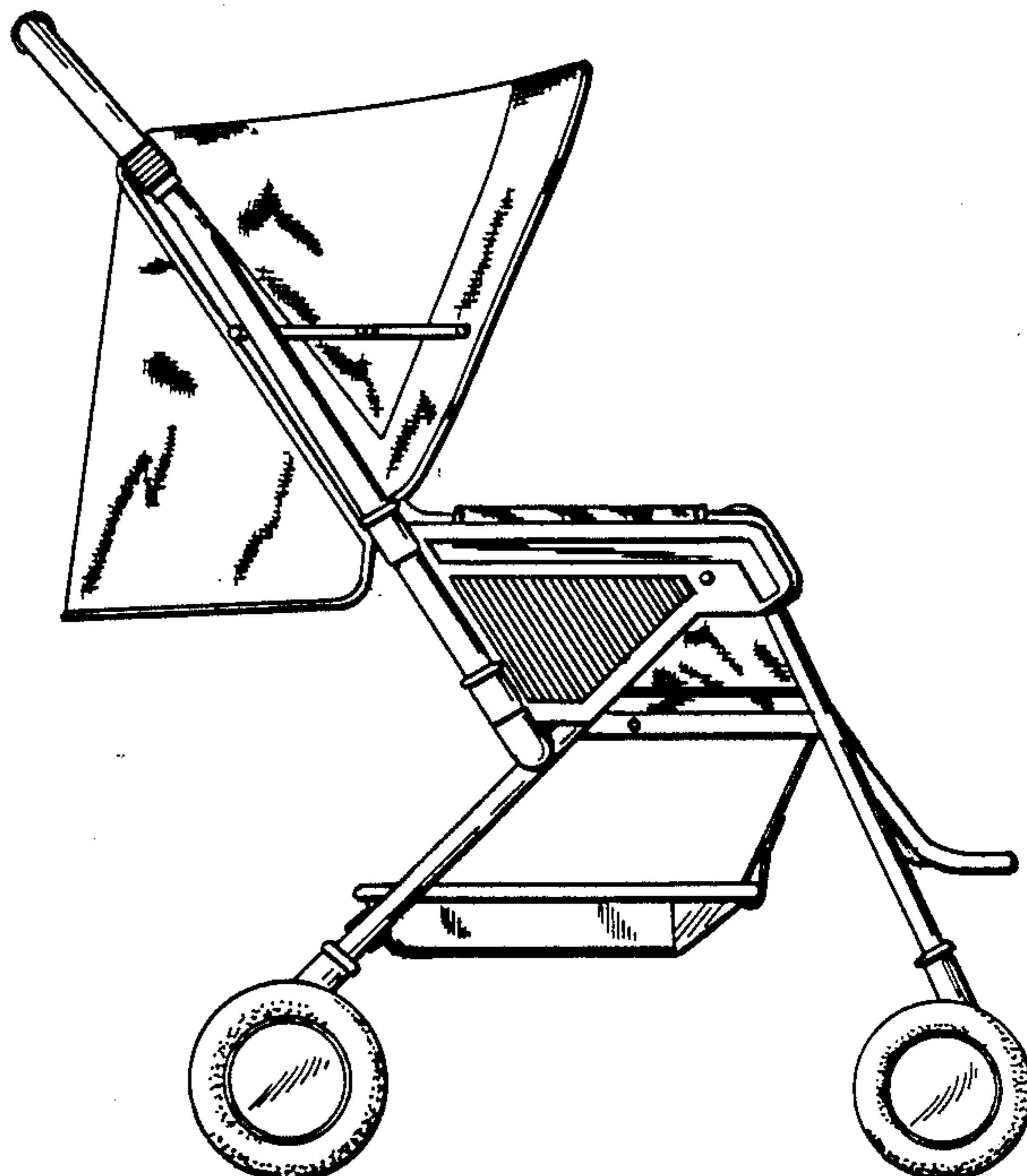
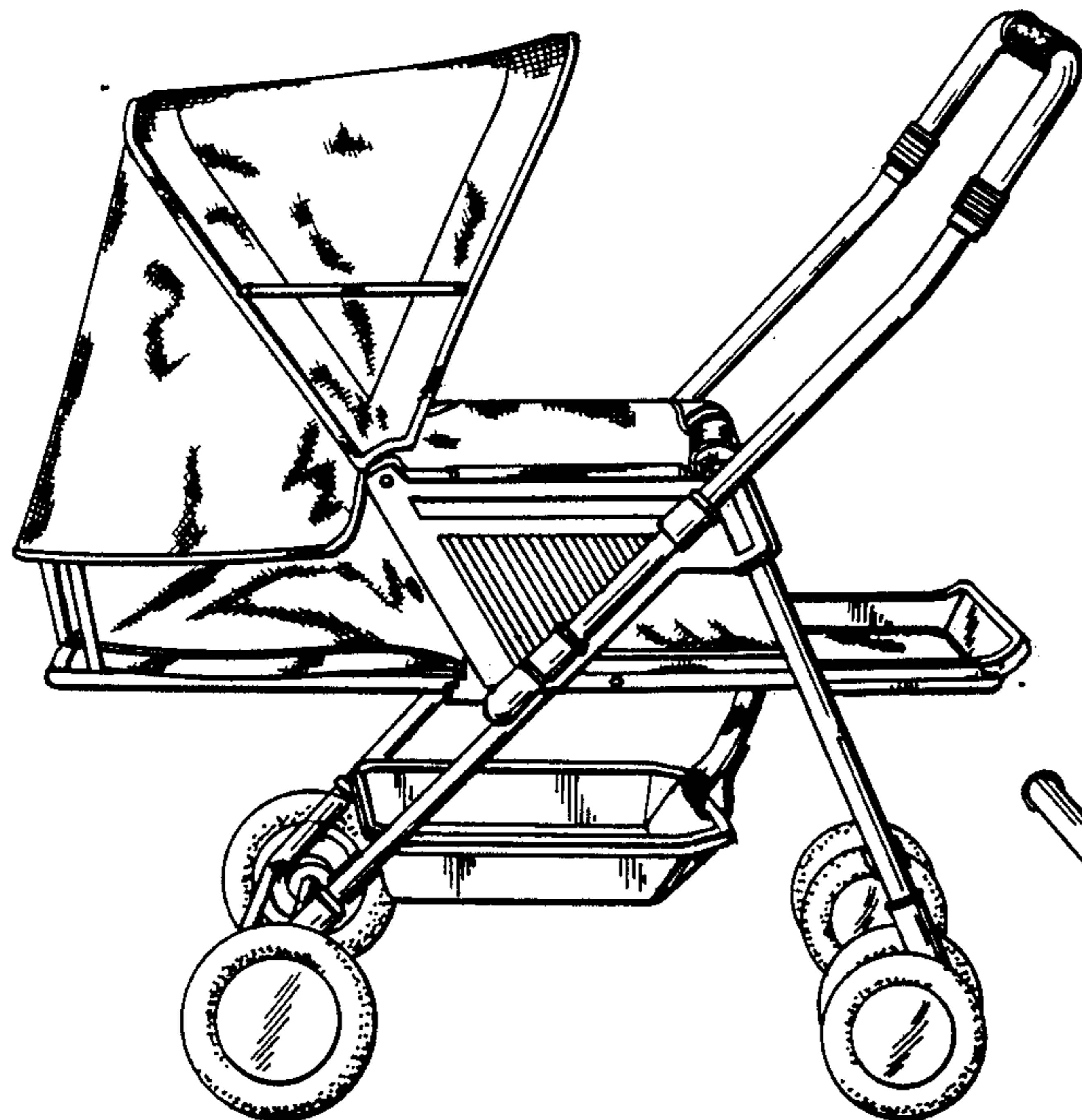


Fig. 1

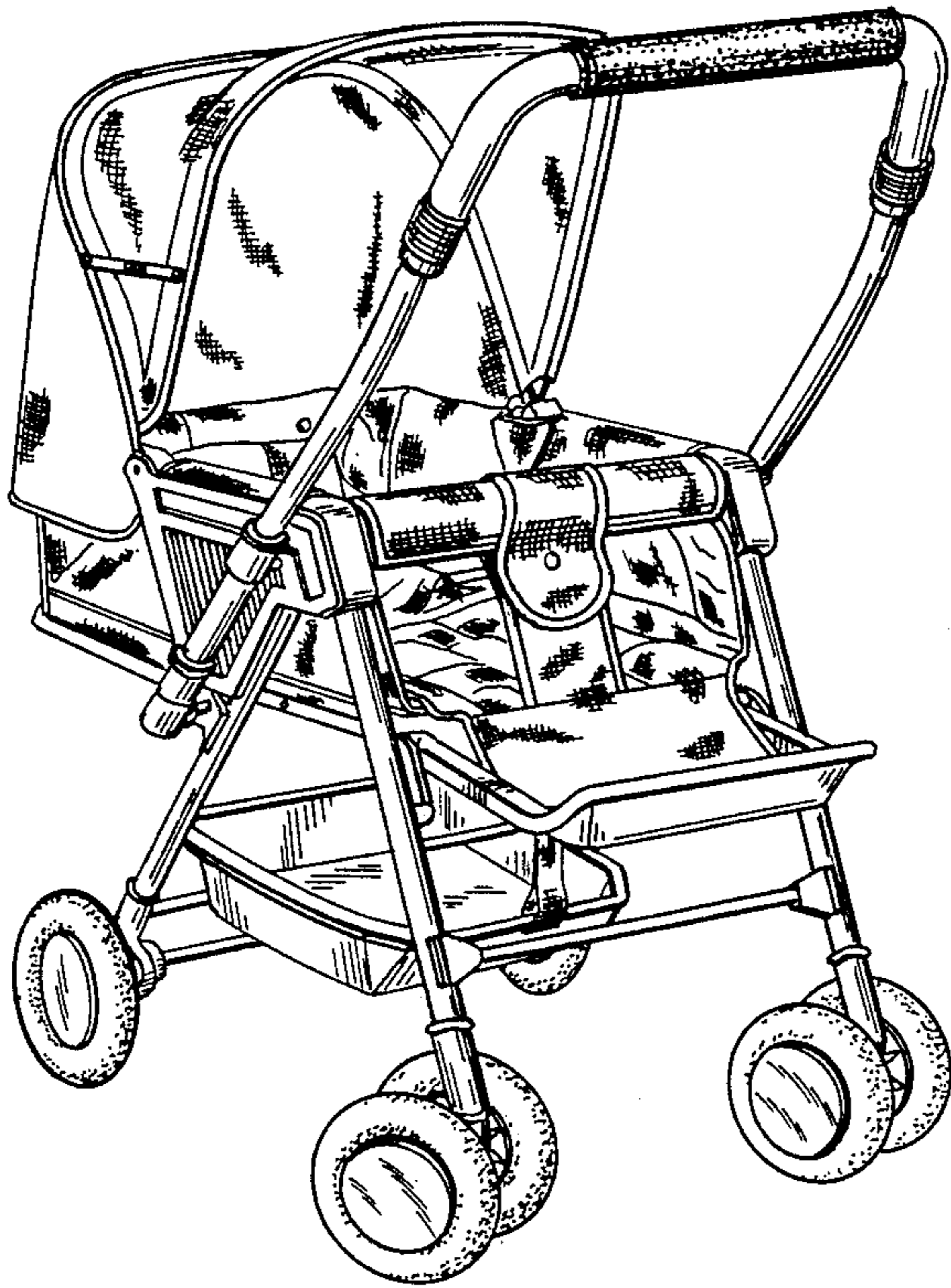


Fig. 3

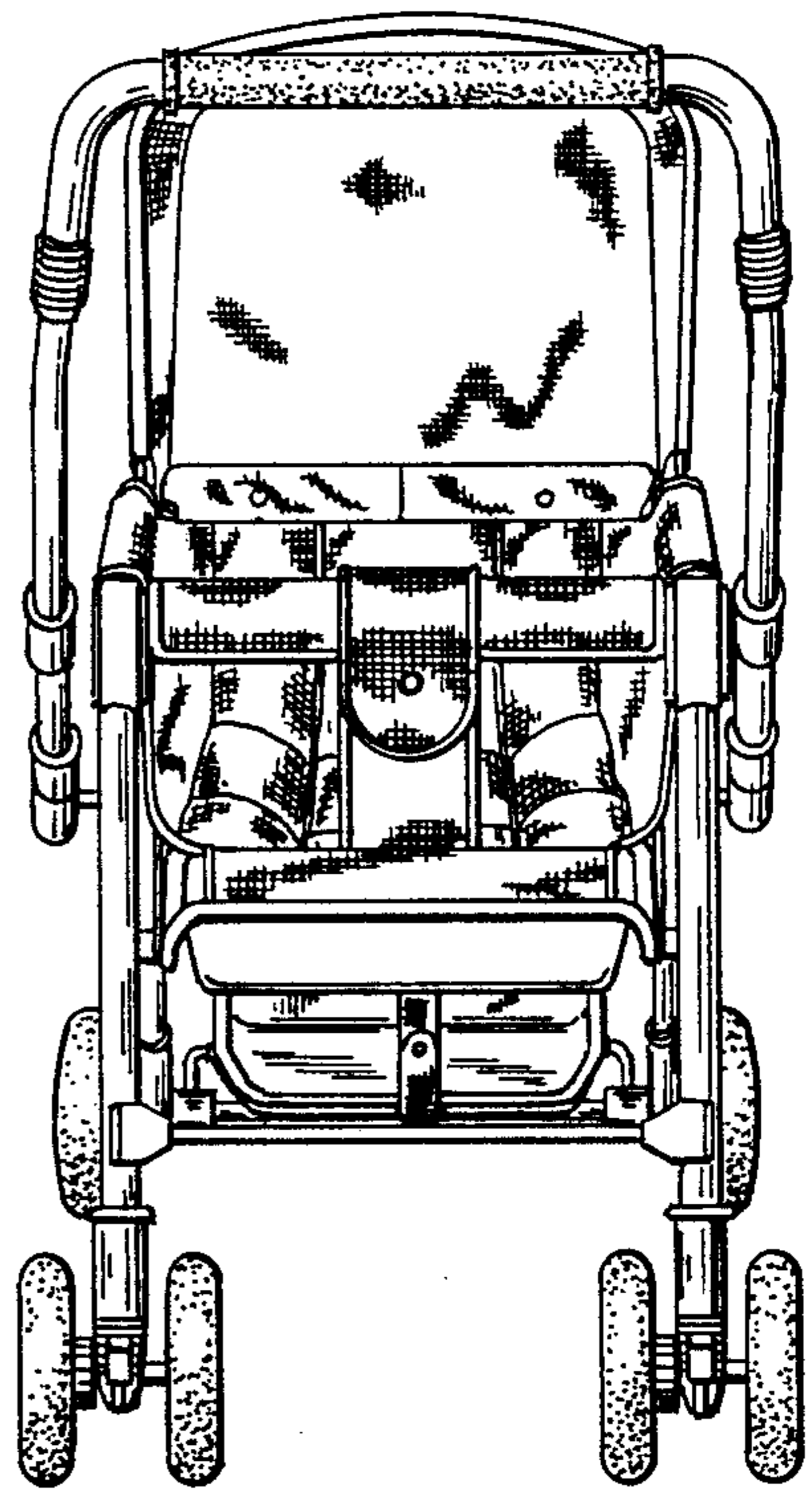


Fig. 2

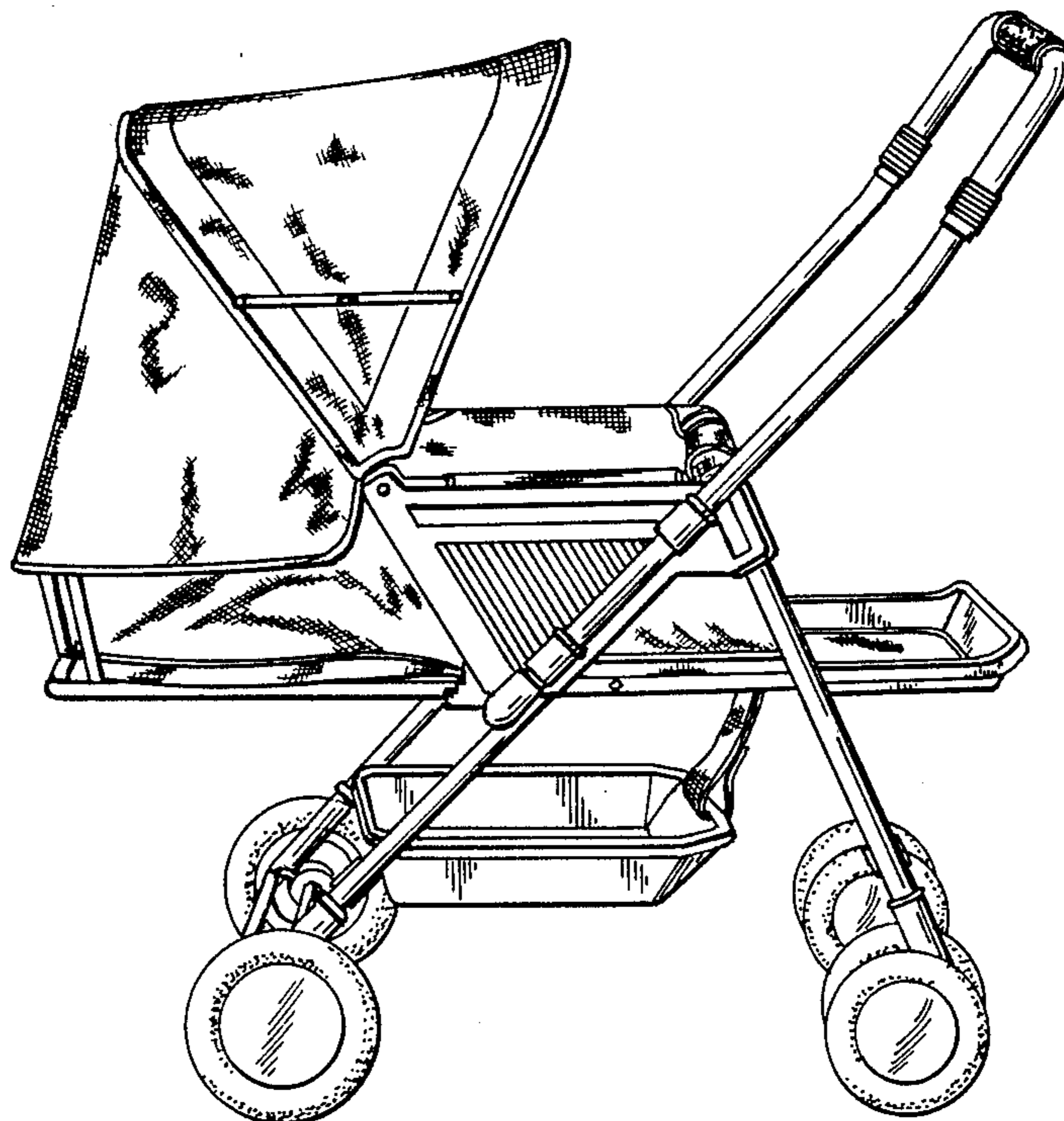


Fig. 4

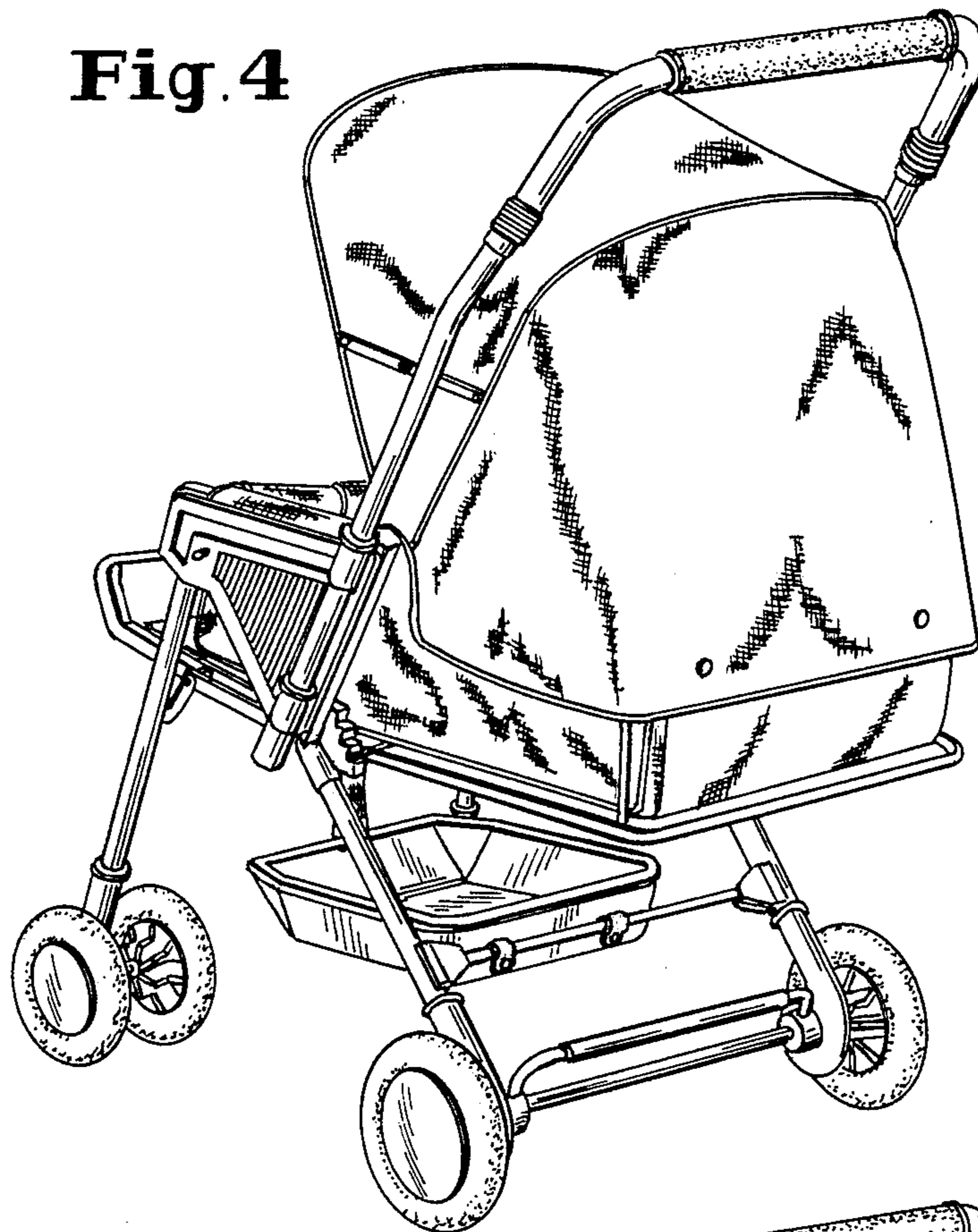


Fig. 5

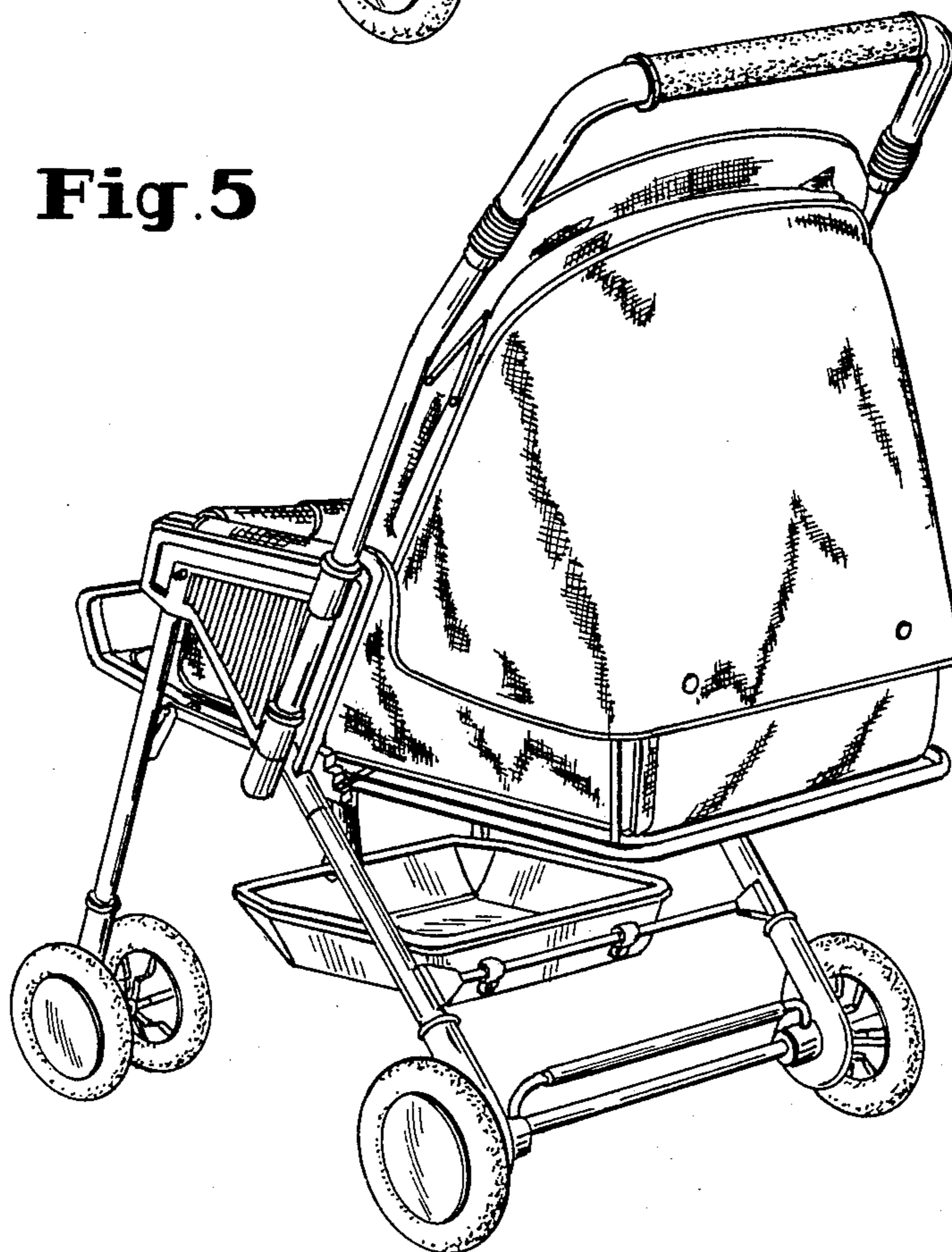


Fig. 6



Fig. 7

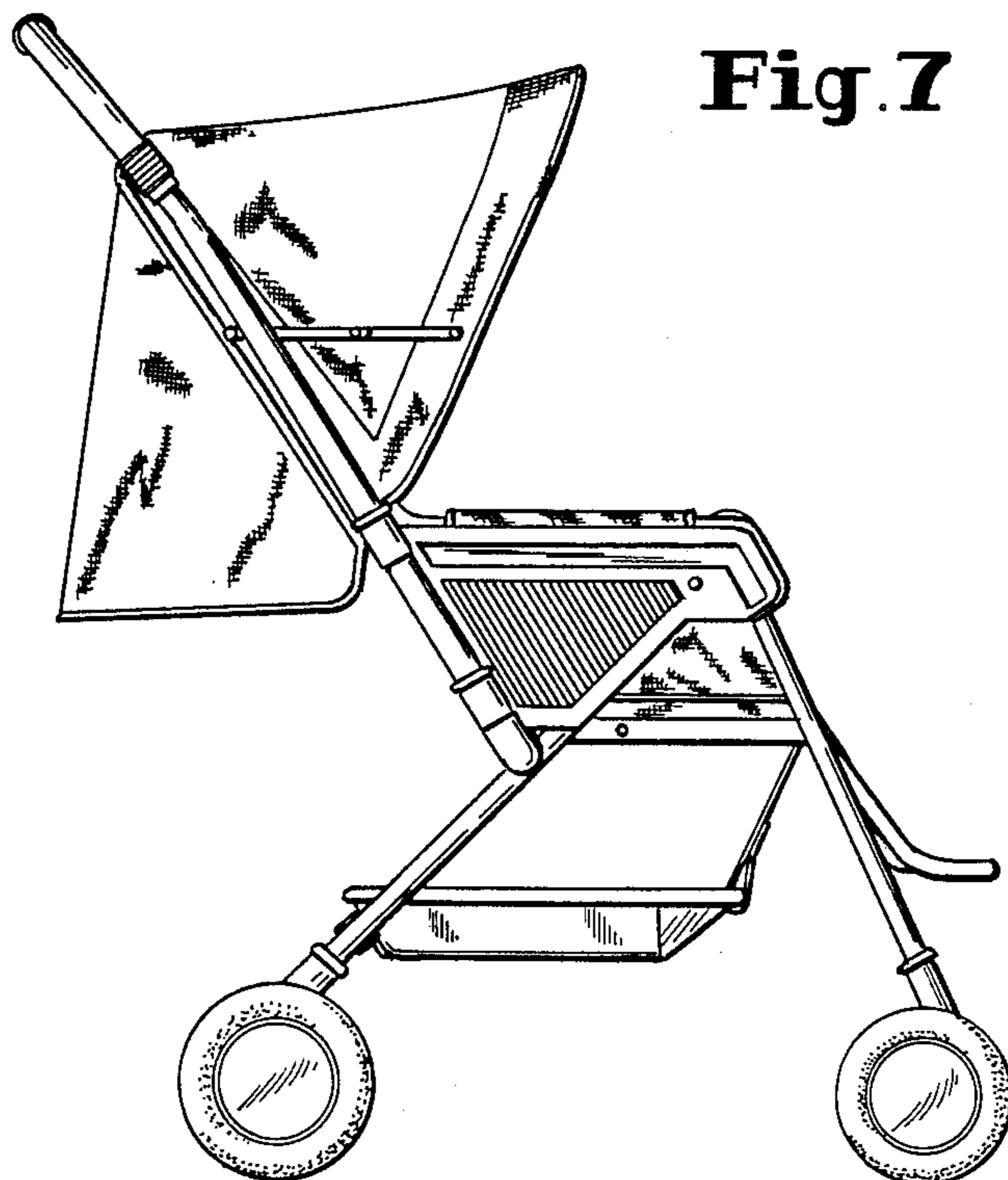


Fig. 8



Fig. 9

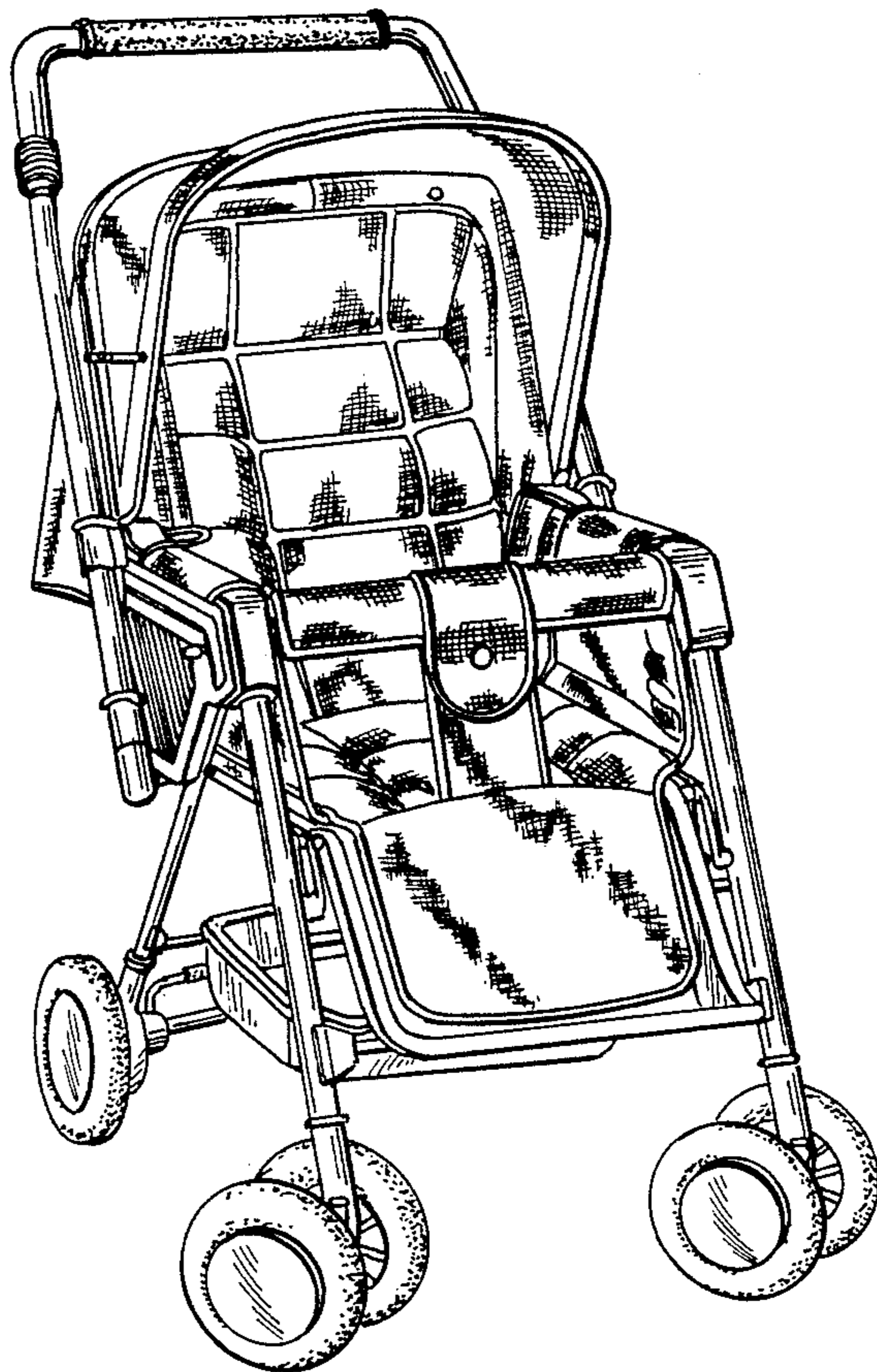


Fig. 10

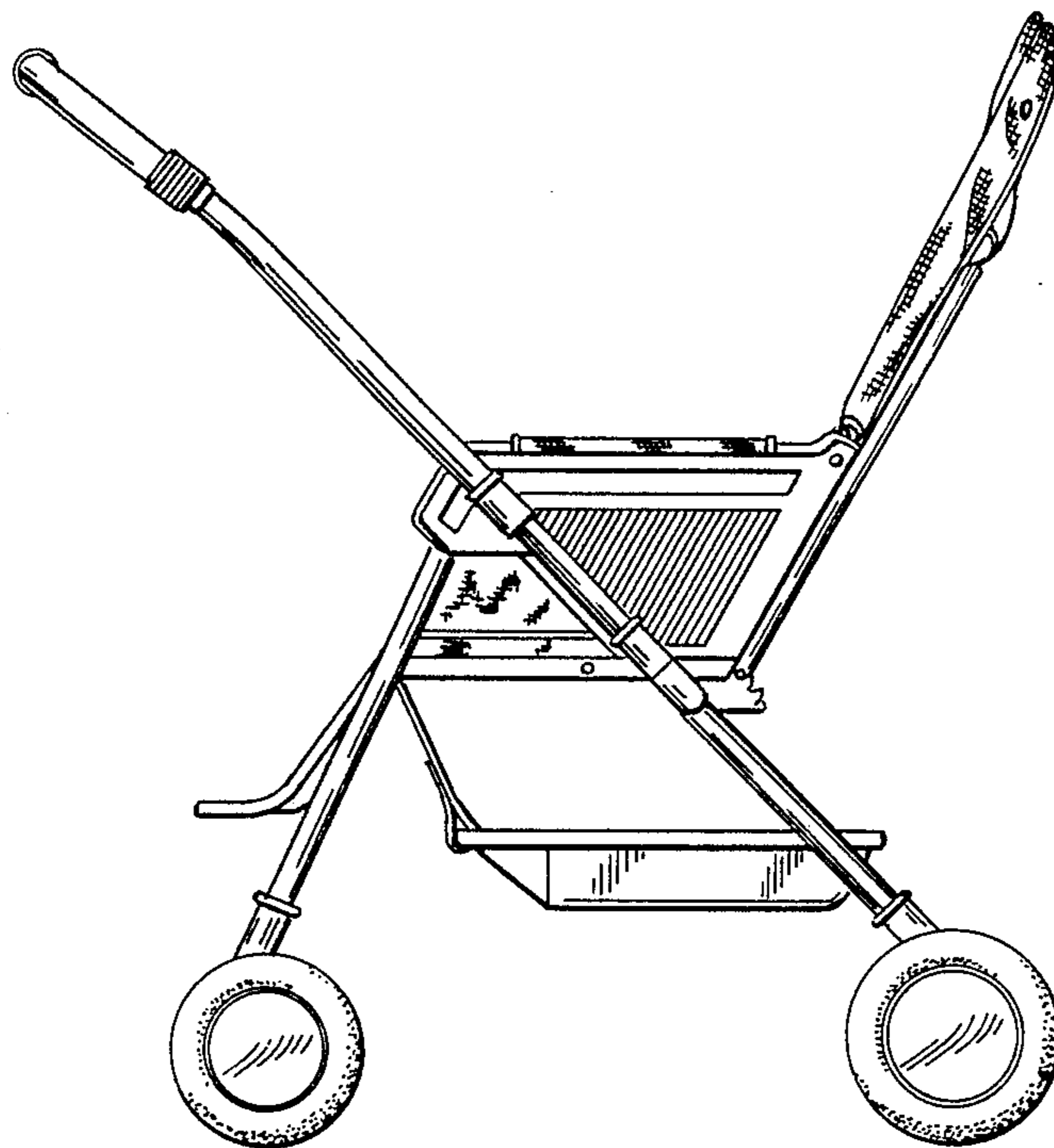
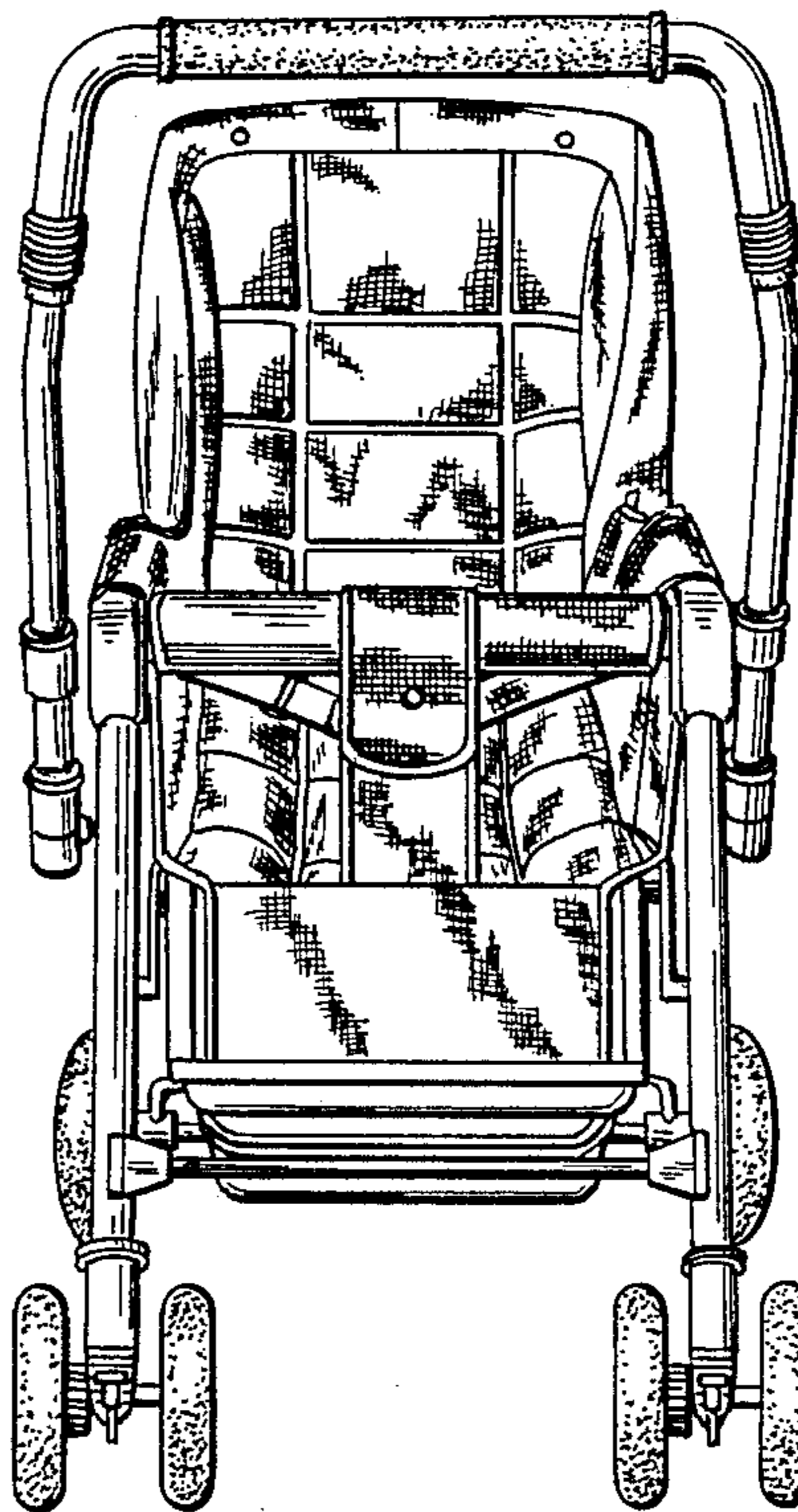


Fig. 11



UNITED STATES PATENT AND TRADEMARK OFFICE
CERTIFICATE OF CORRECTION

PATENT NO. : Des. 310,645
DATED : September 18, 1990
INVENTOR(S) : Francois Julien

It is certified that error appears in the above-identified patent and that said Letters Patent is hereby corrected as shown below:

On the title page, column 1, the Foreign

Application Priority Data should read:

Nov. 3, 1987 [FR] France 876502

Signed and Sealed this
Twenty-fourth Day of December, 1991

Attest:

HARRY F. MANBECK, JR.

Attesting Officer

Commissioner of Patents and Trademarks