

[54] X, Y PLOTTER

[75] Inventor: Heinz J. Gerber, West Hartford, Conn.

[73] Assignee: Gerber Garment Technology, Inc., Tolland, Conn.

[**] Term: 14 Years

[21] Appl. No.: 194,864

[22] Filed: May 17, 1988

[52] U.S. Cl. D10/46

[58] Field of Search D10/46; 33/1 B, 1 M, 33/2 R, 4, 5, 11, 12, 13, 14, 15, 16, 17 A, 17 R, 18; 346/111, 112, 139 R, 139 A, 139 B, 139 C, 139 D, 140, 141

[56] References Cited

U.S. PATENT DOCUMENTS

D. 295,613	5/1988	Tanner	D10/46
3,293,651	12/1966	Gerber et al.	33/1 M
4,091,980	5/1978	Gerber	226/162

4,512,079	4/1985	LeBlond	33/1 M
4,675,253	6/1987	Bowditch	33/17 A X
4,713,887	12/1987	Kitamura	346/139 D X
4,745,683	5/1988	Wood	346/141 X
4,764,987	8/1988	Drei	33/13 X

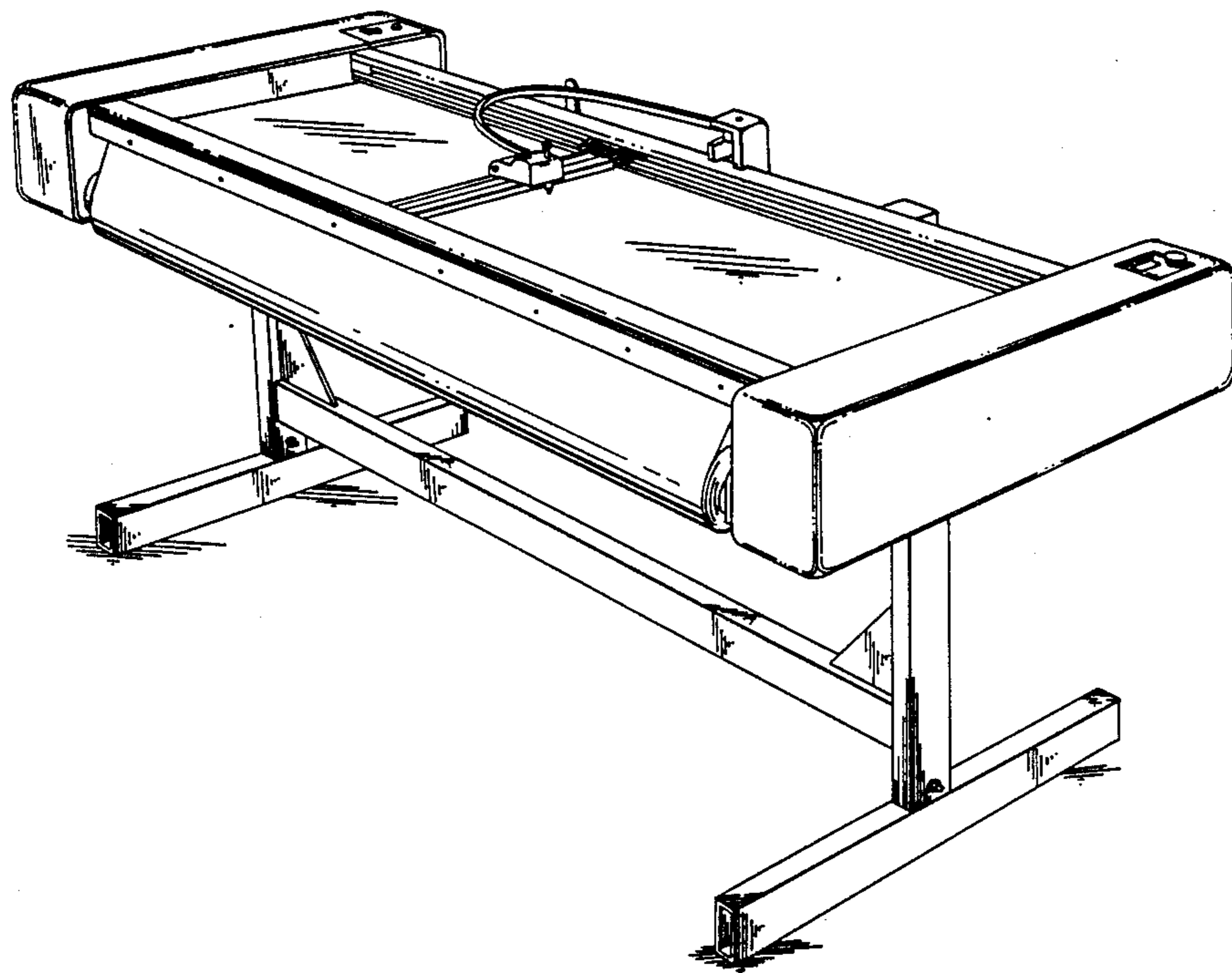
Primary Examiner—Nelson C. Holtje
Assistant Examiner—Antoine D. Davis
Attorney, Agent, or Firm—McCormick, Paulding & Huber

[57] CLAIM

The ornamental design for an X,Y plotter, as shown and described.

DESCRIPTION

FIG. 1 is a top, front and right side perspective view of a X, Y plotter showing my new design;
FIG. 2 is a top plan view;
FIG. 3 is a bottom plan view;
FIG. 4 is a left side elevational view;
FIG. 5 is a right side elevational view;
FIG. 6 is a front elevational view; and
FIG. 7 is a rear elevational view thereof.



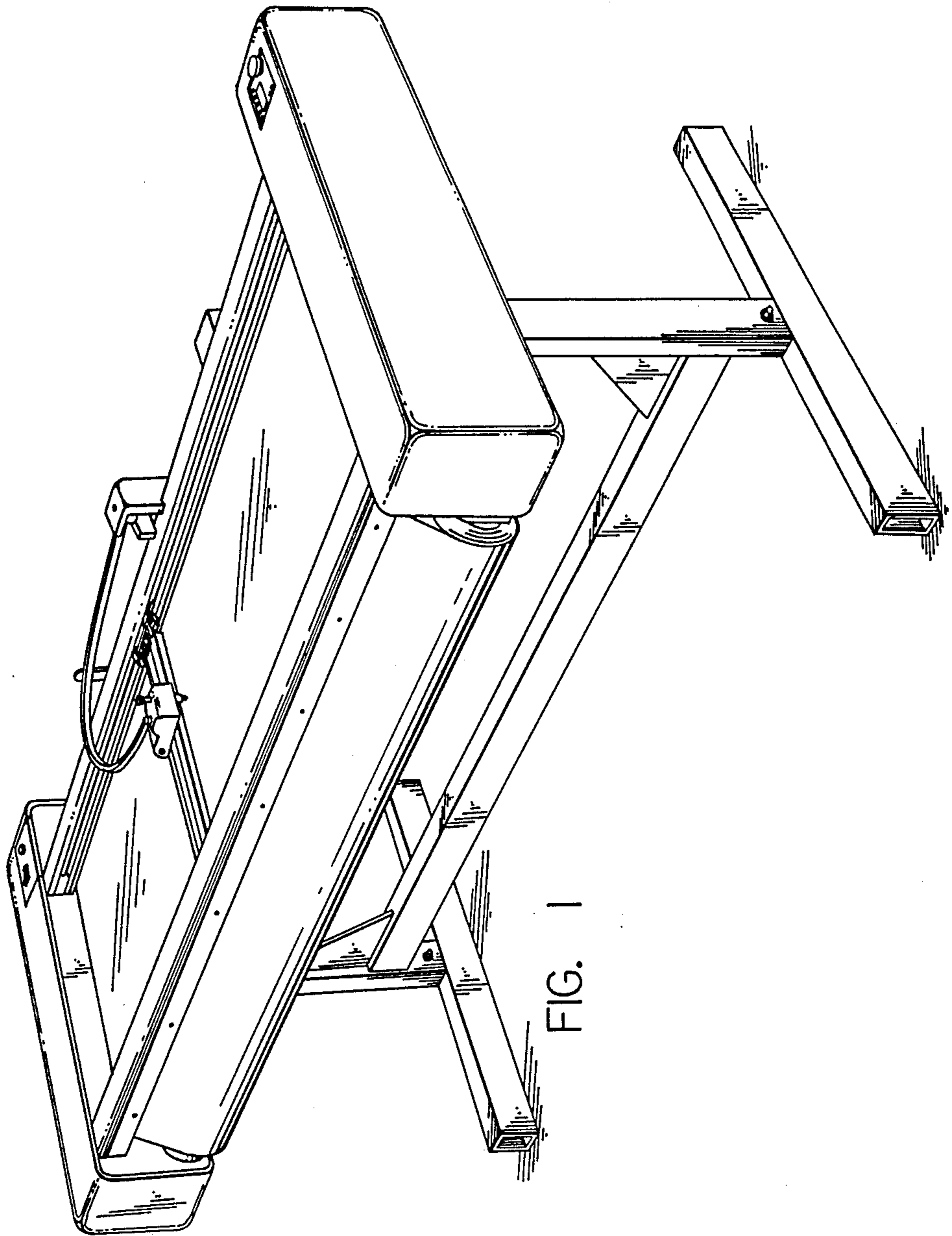


FIG. 1

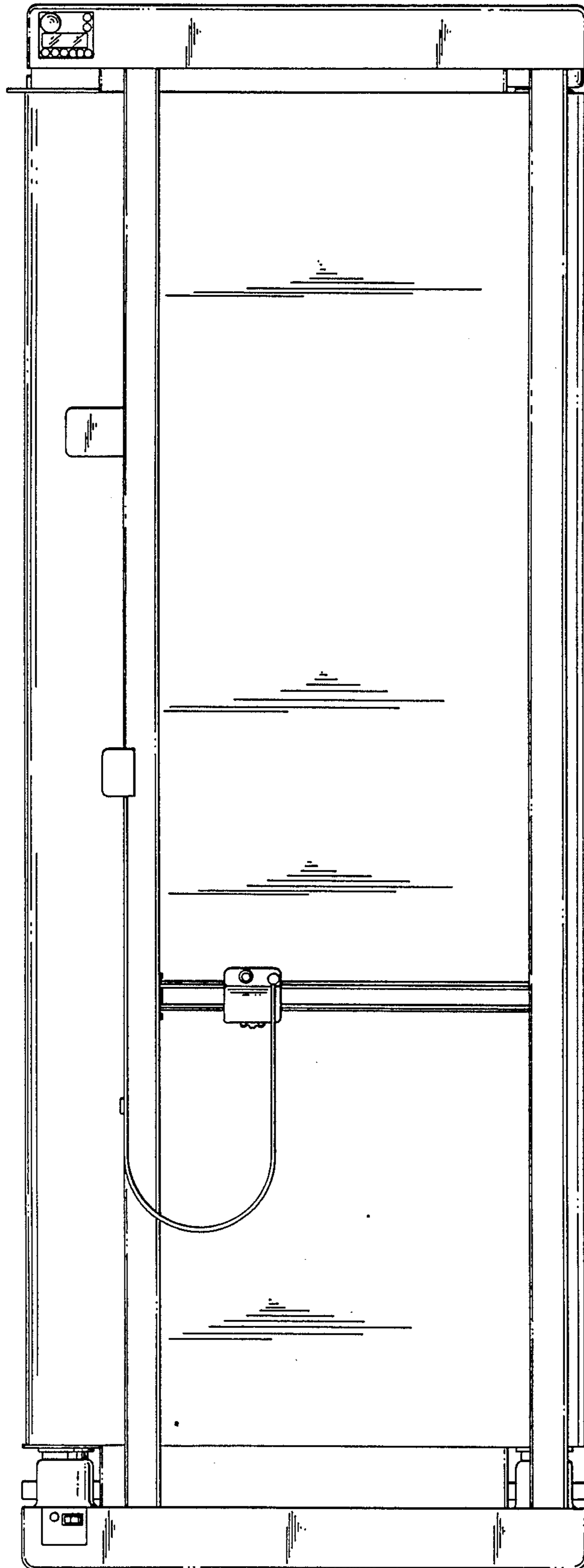


FIG. 2

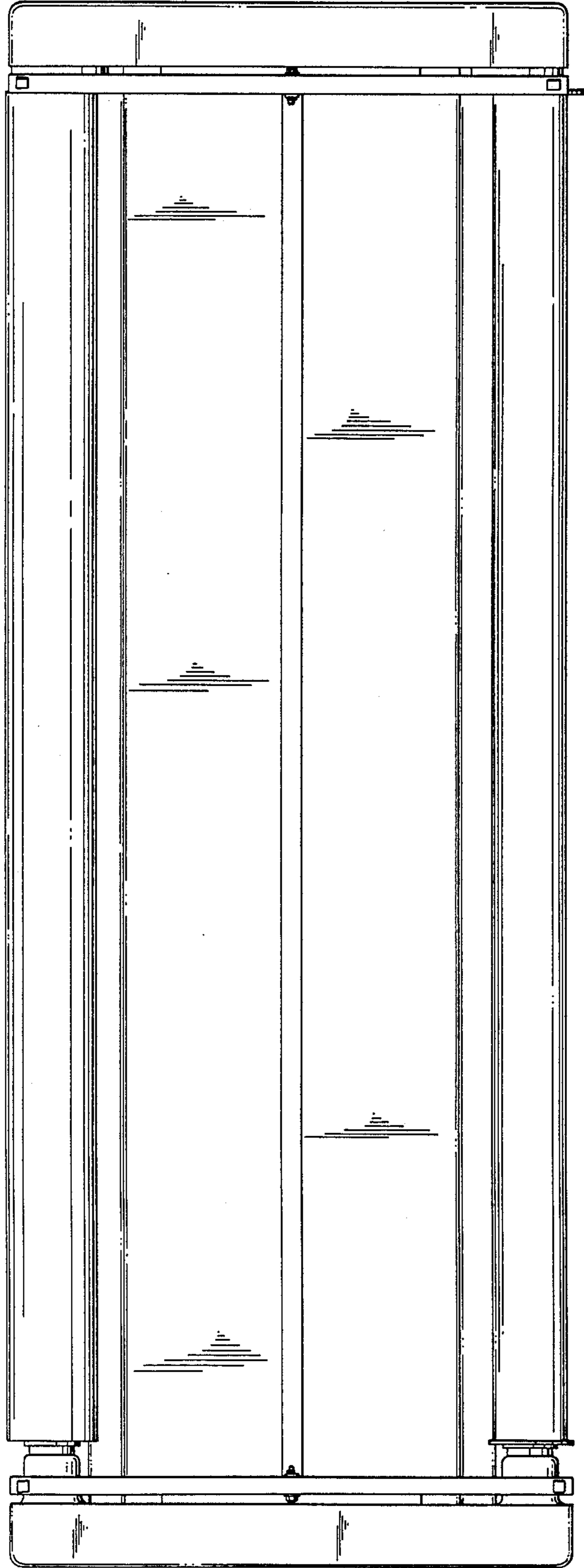


FIG. 3

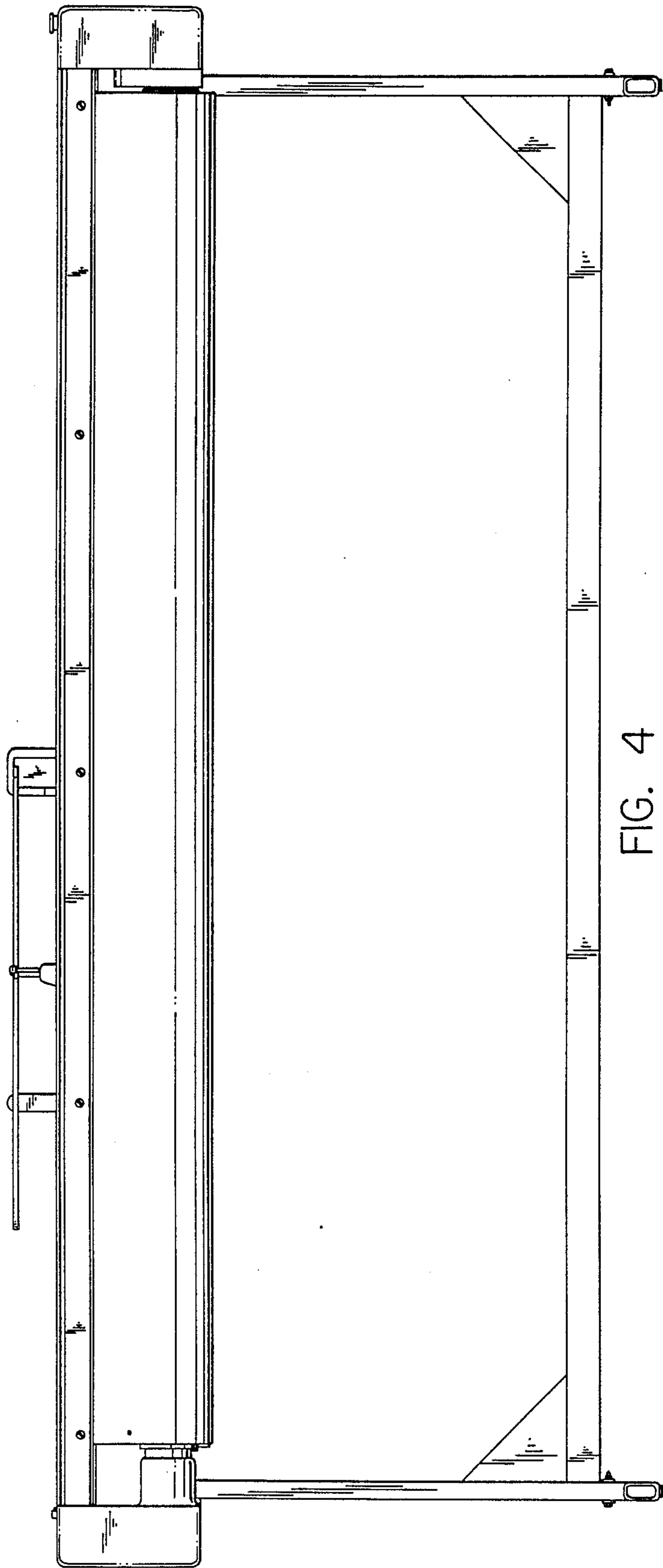


FIG. 4

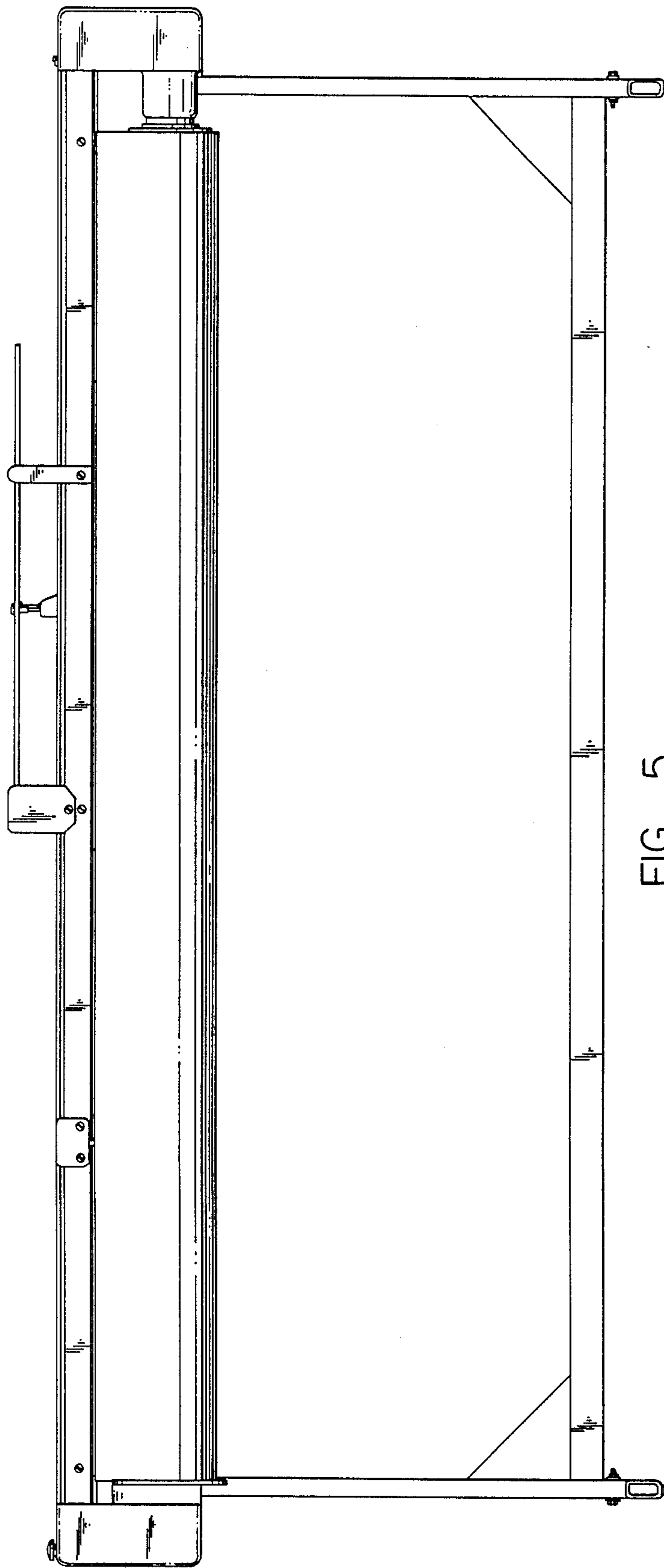


FIG. 5

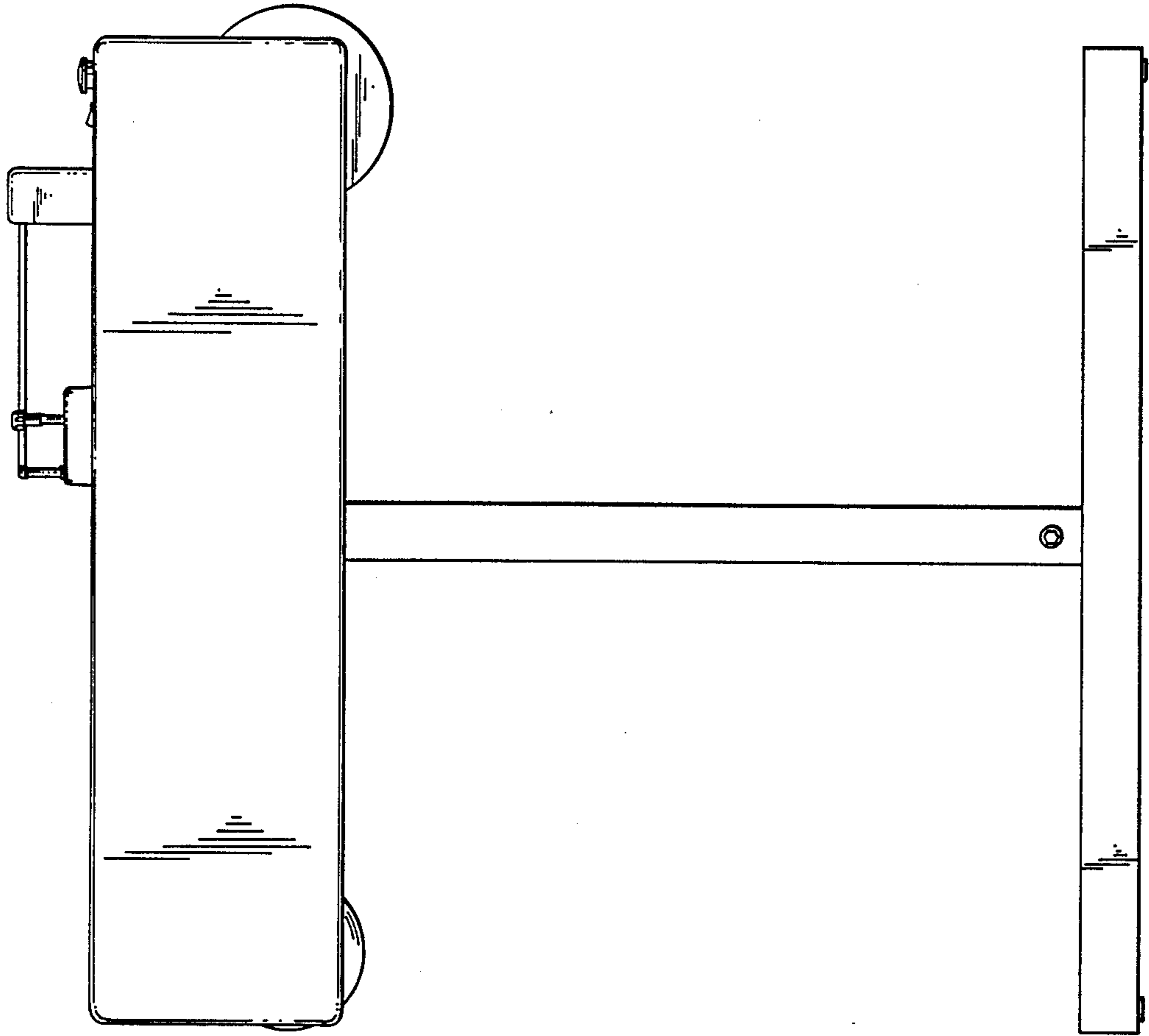


FIG. 6

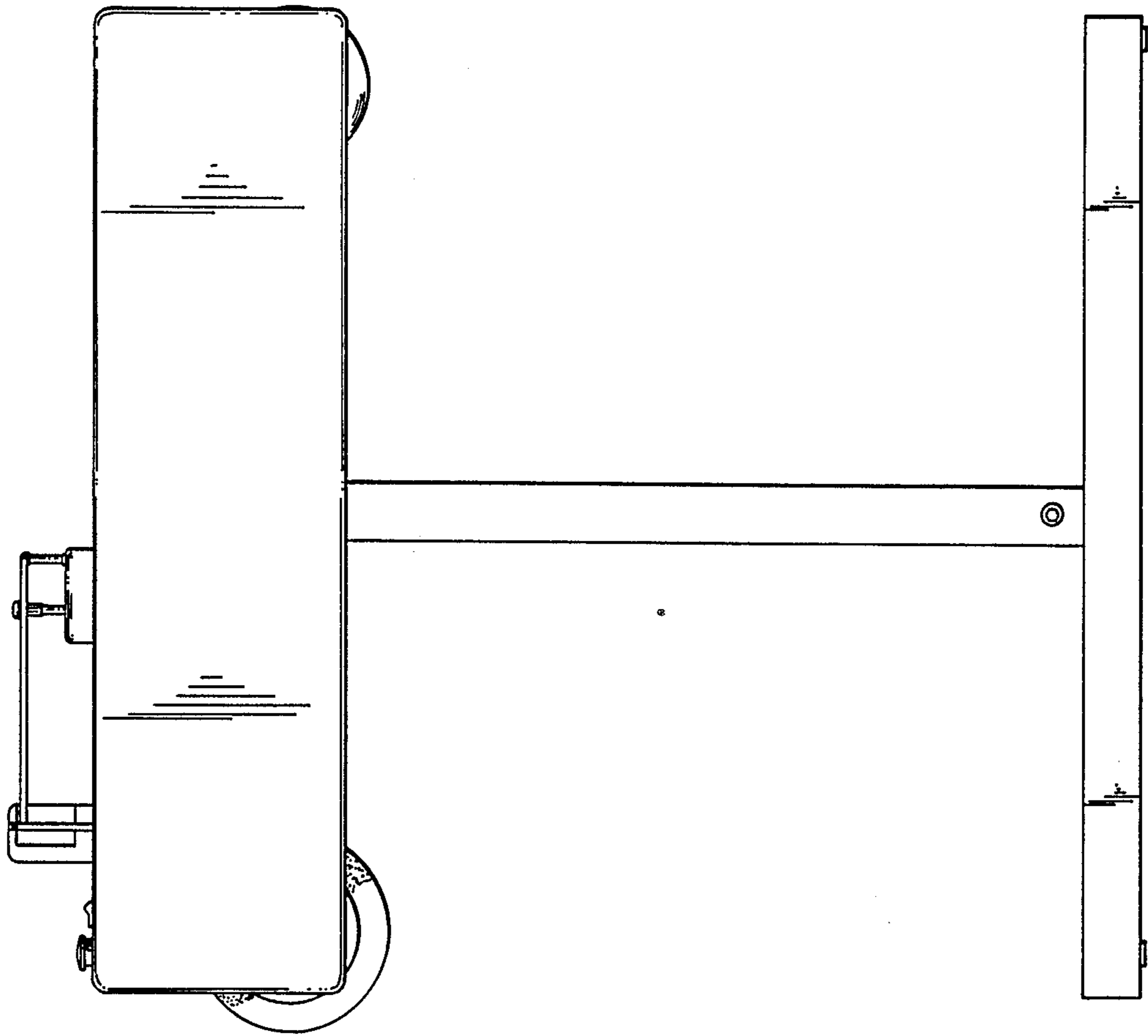


FIG. 7