

[54] ICE CREAM CARTON

4,113,104 9/1978 Meyers ..... 206/626

[75] Inventors: Richard E. DePaul, Williamsburg, Va.; Frank G. Capuano, Rochester, N.Y.

Primary Examiner—Bernard Ansher  
Assistant Examiner—Prabhakar Deshmukh  
Attorney, Agent, or Firm—Shlesinger & Myers

[73] Assignee: Somerville Packaging Corporation, Newport News, Va.

[57] CLAIM

The ornamental design for ice cream carton, as shown and described herein.

[\*] Notice: The portion of the term of this patent subsequent to Dec. 15, 2001 has been disclaimed.

DESCRIPTION

[\*\*] Term: 14 Years

FIG. 1 is a perspective view of an ice cream carton showing our new design;  
FIG. 2 is a perspective view of the embodiment of FIG. 1 with the tear strip removed;  
FIG. 3 is a perspective view of the embodiment of FIG. 1, with the tear strip and glue panel removed;  
FIG. 4 is a top plan view thereof;  
FIG. 5 is a front elevation thereof;  
FIG. 6 is a left side elevation thereof, the right side elevation being a mirror image;  
FIG. 7 is a bottom plan view thereof, in a reduced scale;  
FIG. 8 is a top plan view of a first modified embodiment of FIG. 1;  
FIG. 9 is a bottom plan view of FIG. 8;  
FIG. 10 is a right side elevation of FIG. 8, the left side elevation being a mirror image;  
The rear side elevations of FIG. 1 and FIG. 8 are planar and unornamented. The front elevation of FIG. 8 is identical to FIG. 5.

[21] Appl. No.: 138,026

[22] Filed: Dec. 28, 1987

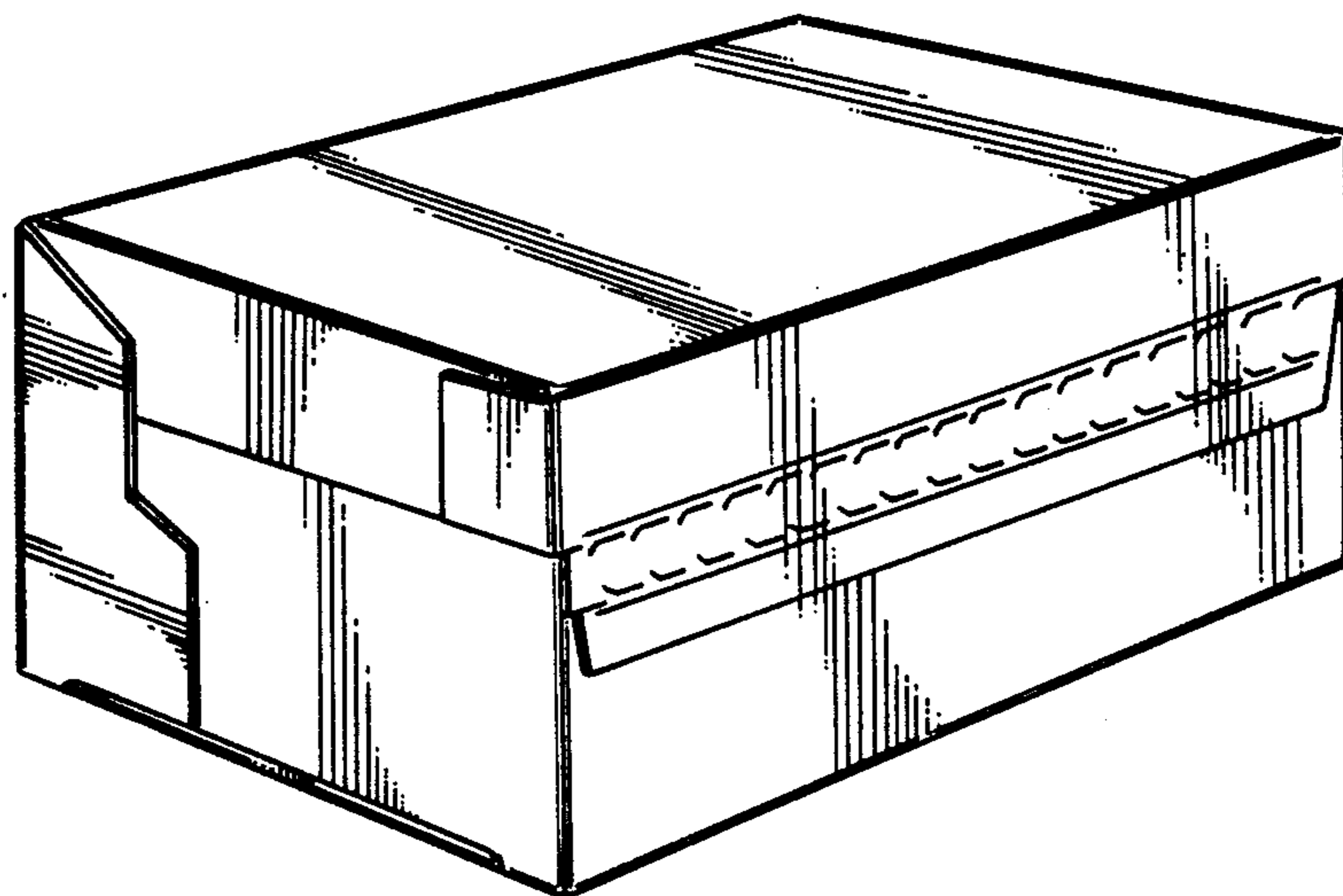
[52] U.S. Cl. .... D9/416

[58] Field of Search ..... D9/416, 419, 423, 432, D9/433, 414, 346; 206/601, 604, 605, 613, 608, 620, 631, 633, 611, 612, 626, 607, 824; 229/145, 190, 905

[56] References Cited

U.S. PATENT DOCUMENTS

D. 293,211	12/1987	DePaul et al. ....	D9/432 X
3,131,852	5/1964	Forbes Jr. ....	206/611
3,197,115	7/1965	Peter ....	206/611
3,257,067	6/1966	Buttery et al. ....	206/626 X
3,833,165	9/1974	Hoiles ....	229/145
4,046,313	9/1977	Perry ....	206/611



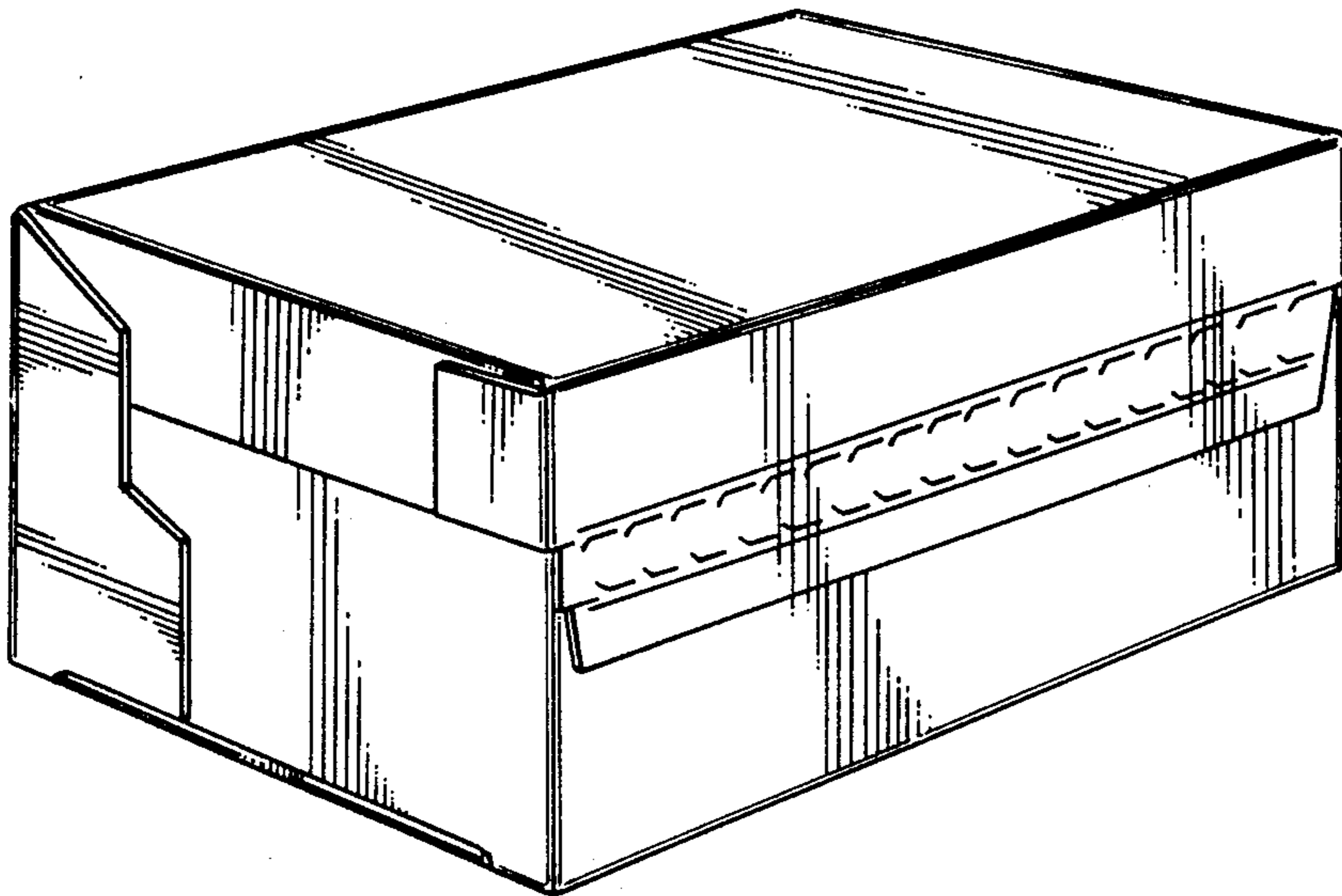


FIG. 1

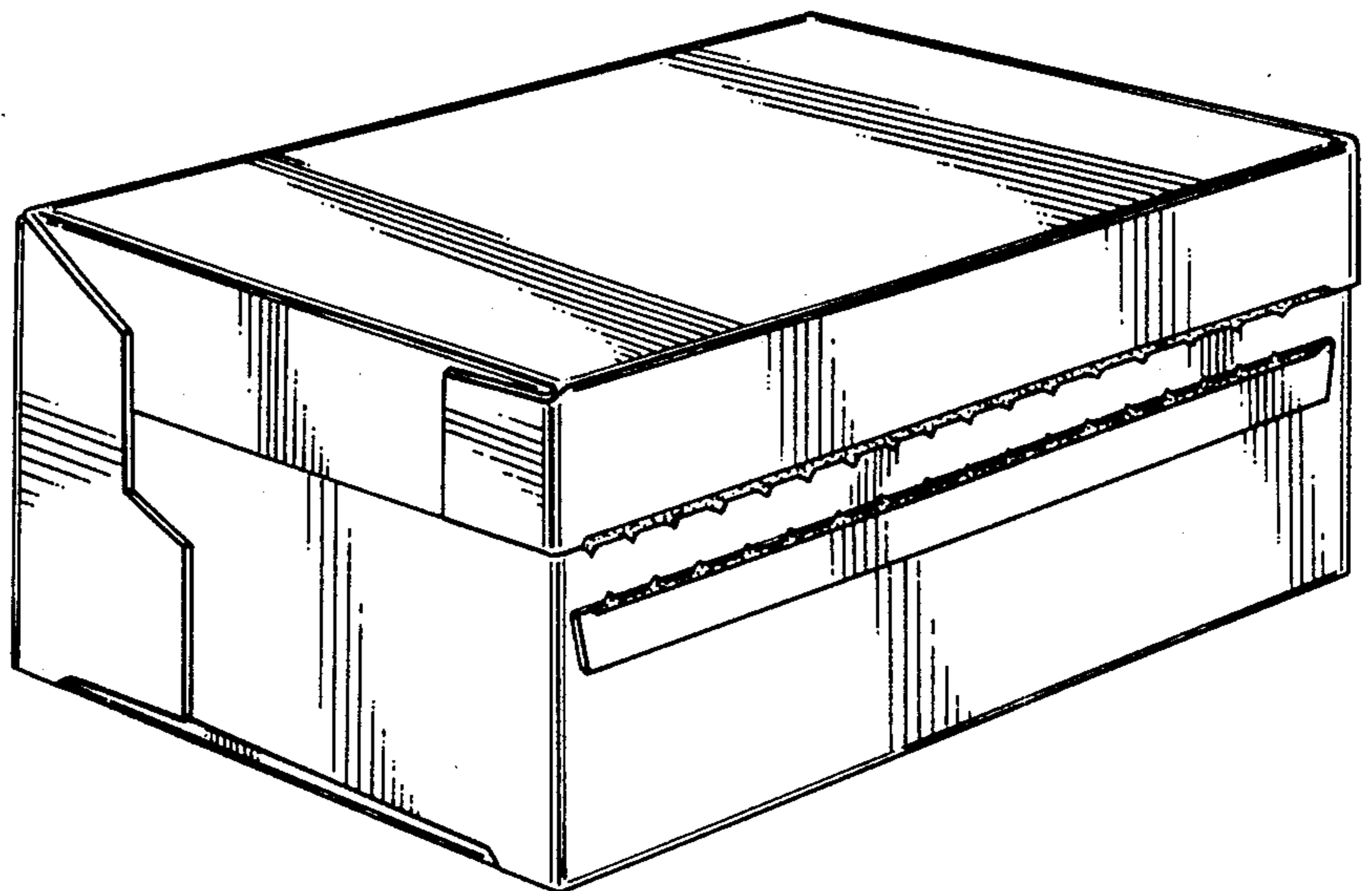


FIG. 2

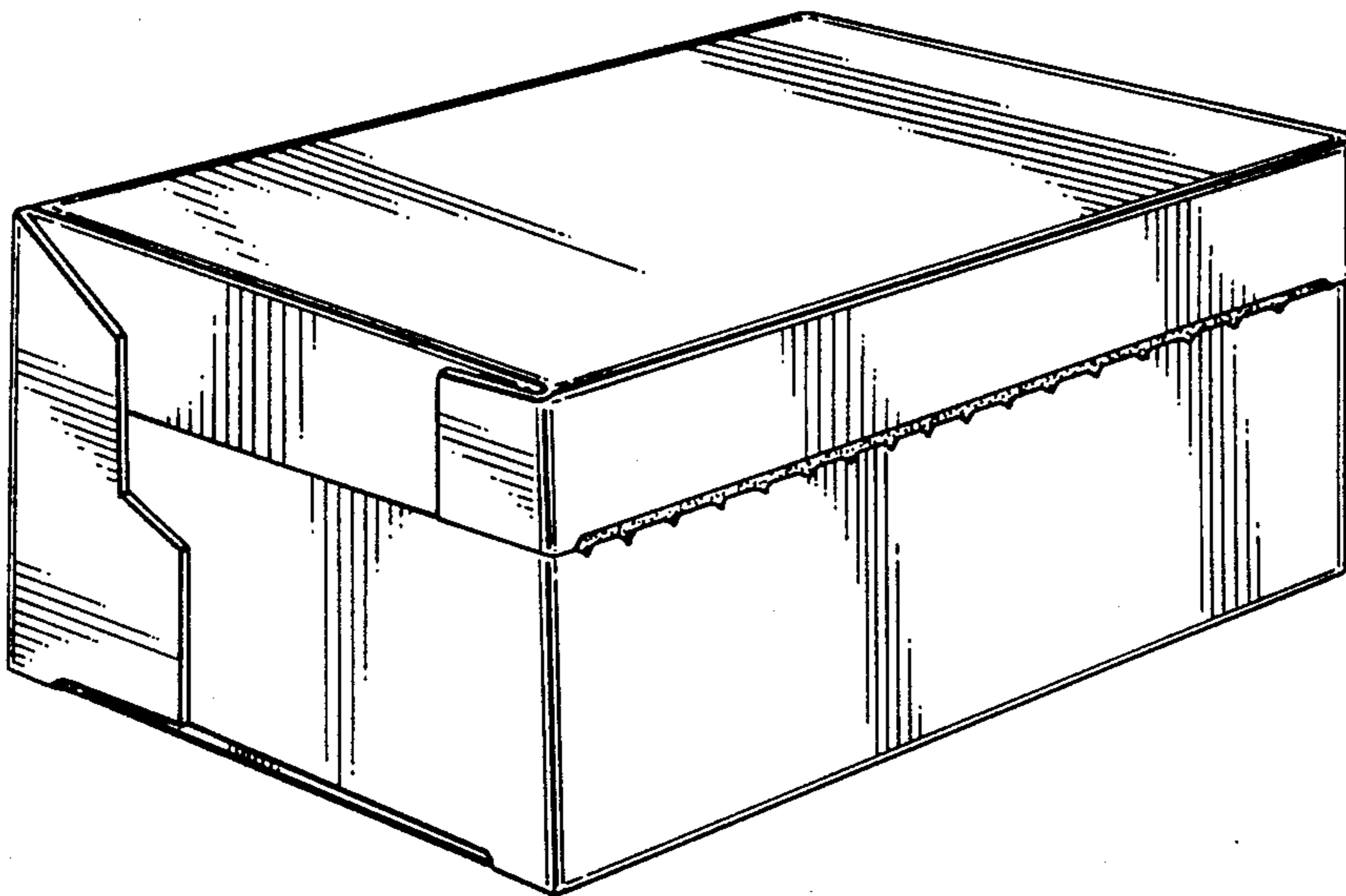


FIG. 3

FIG. 4

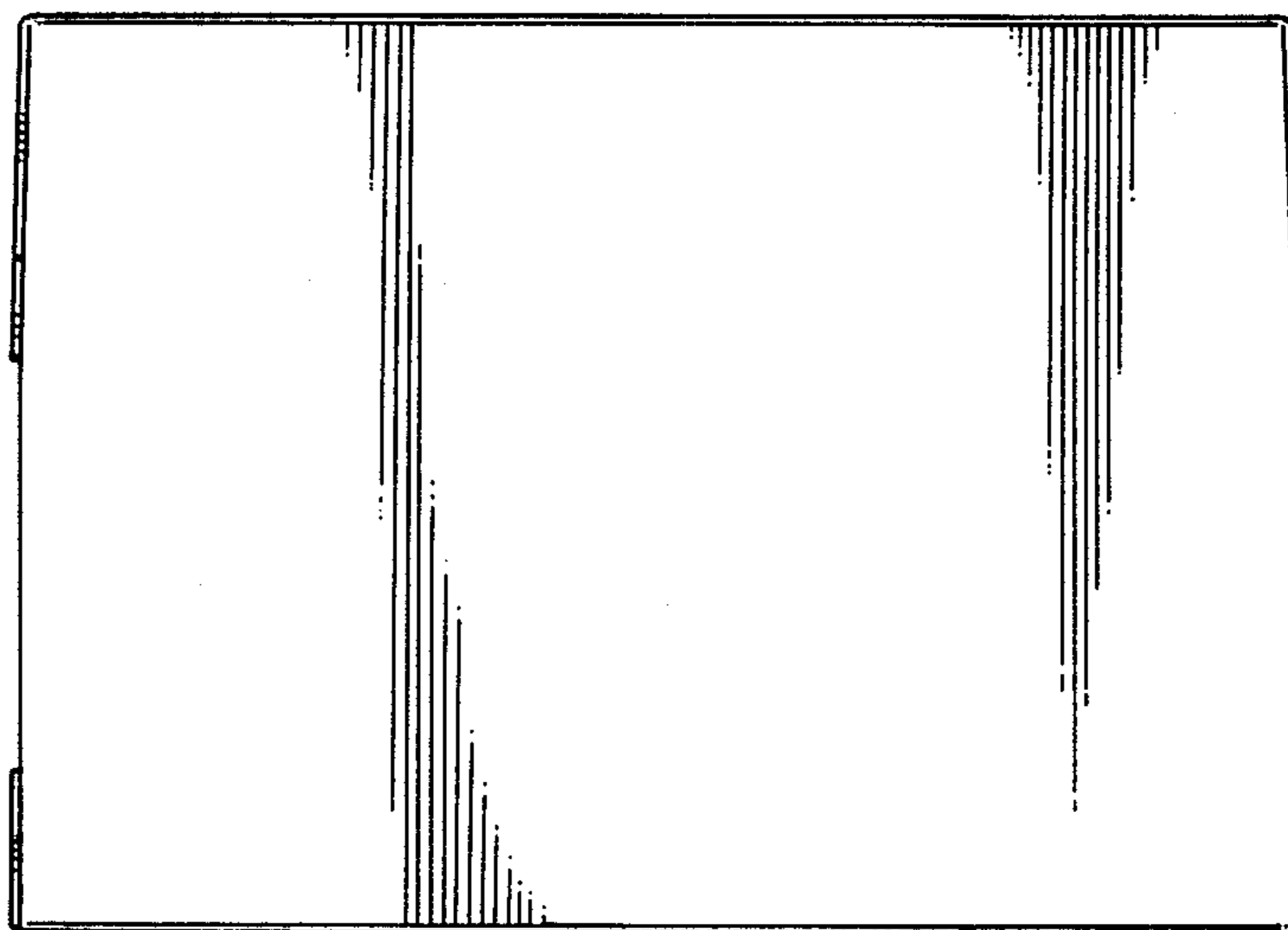


FIG. 5

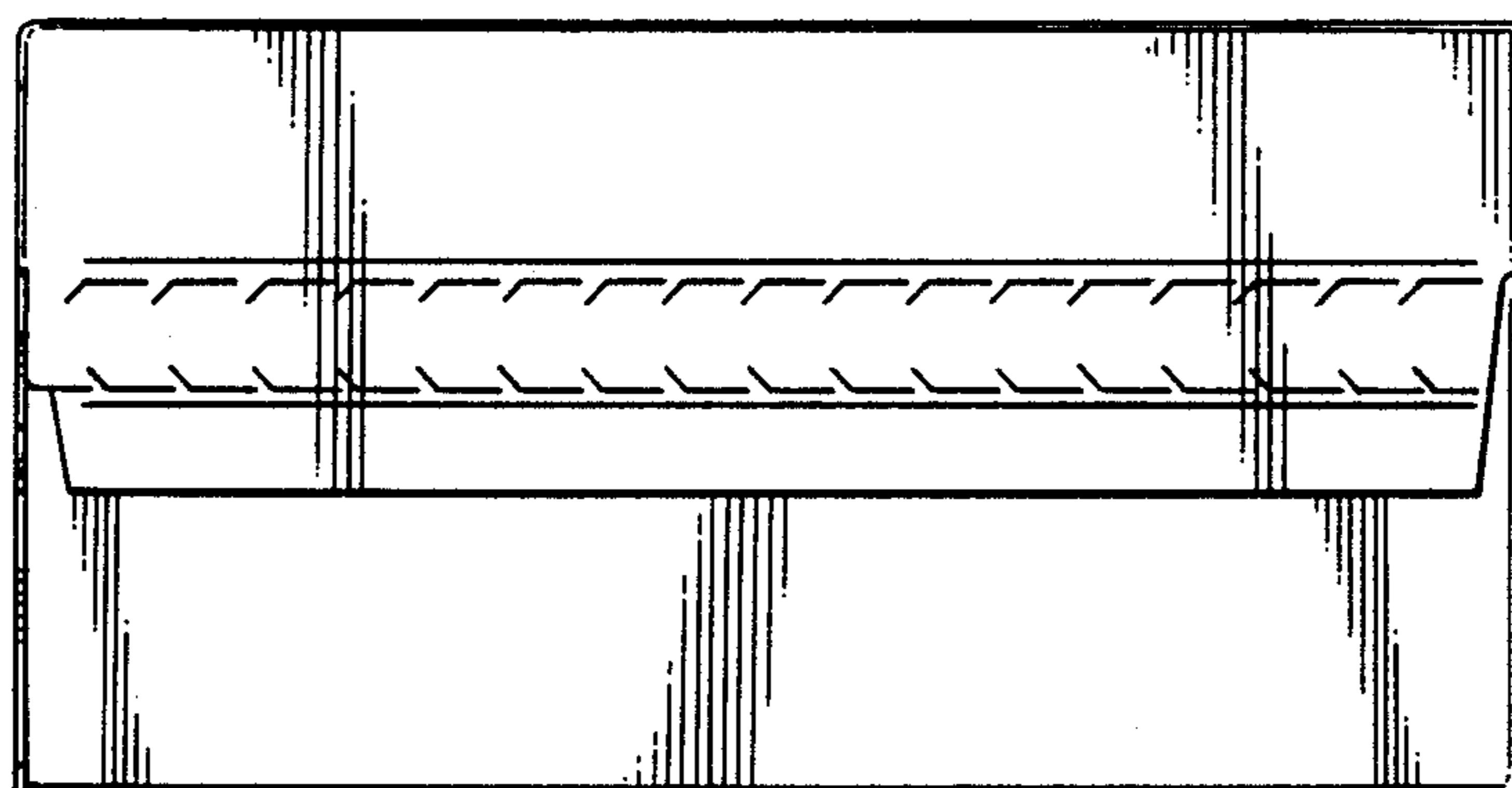


FIG. 6

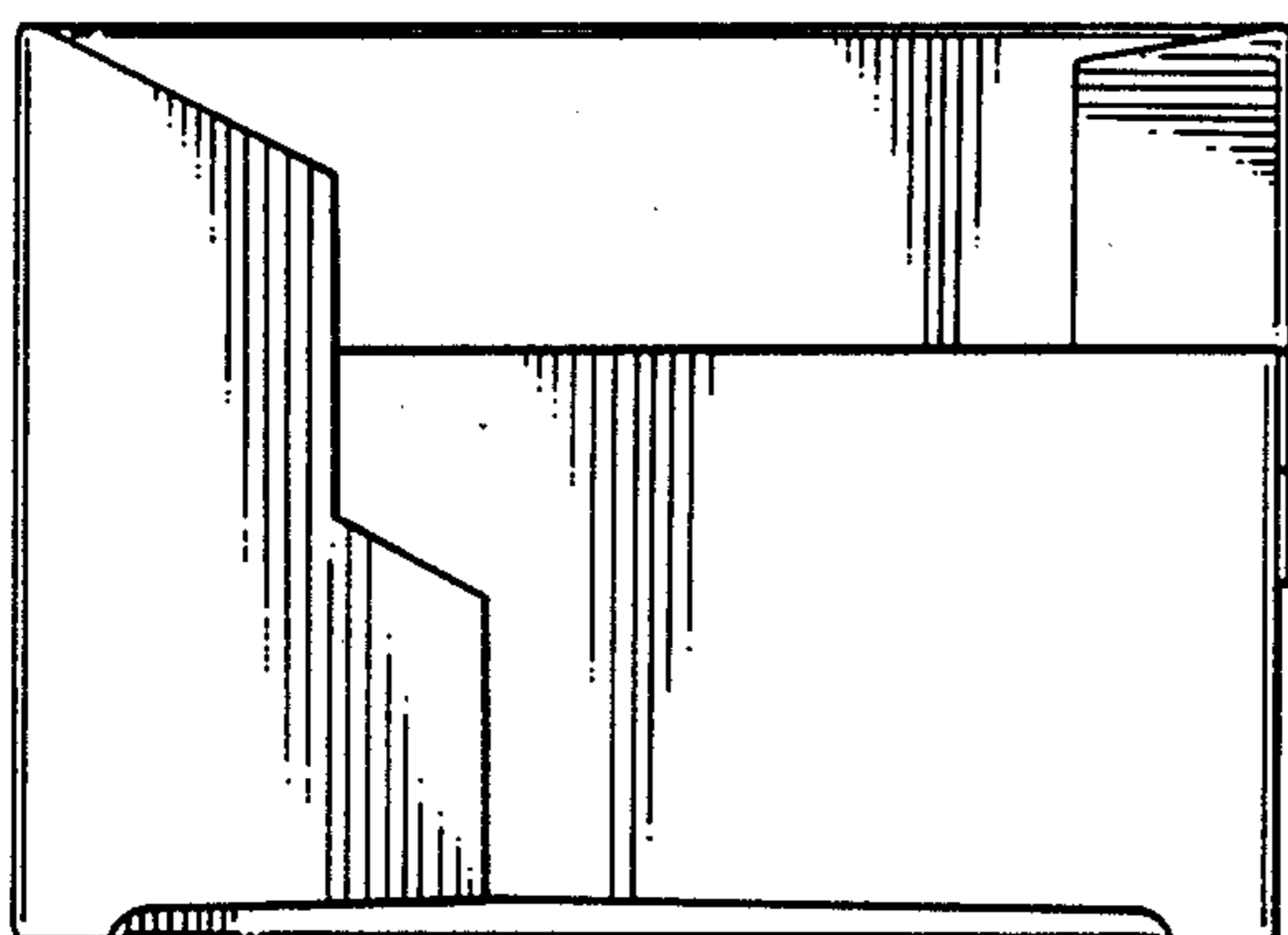


FIG. 7

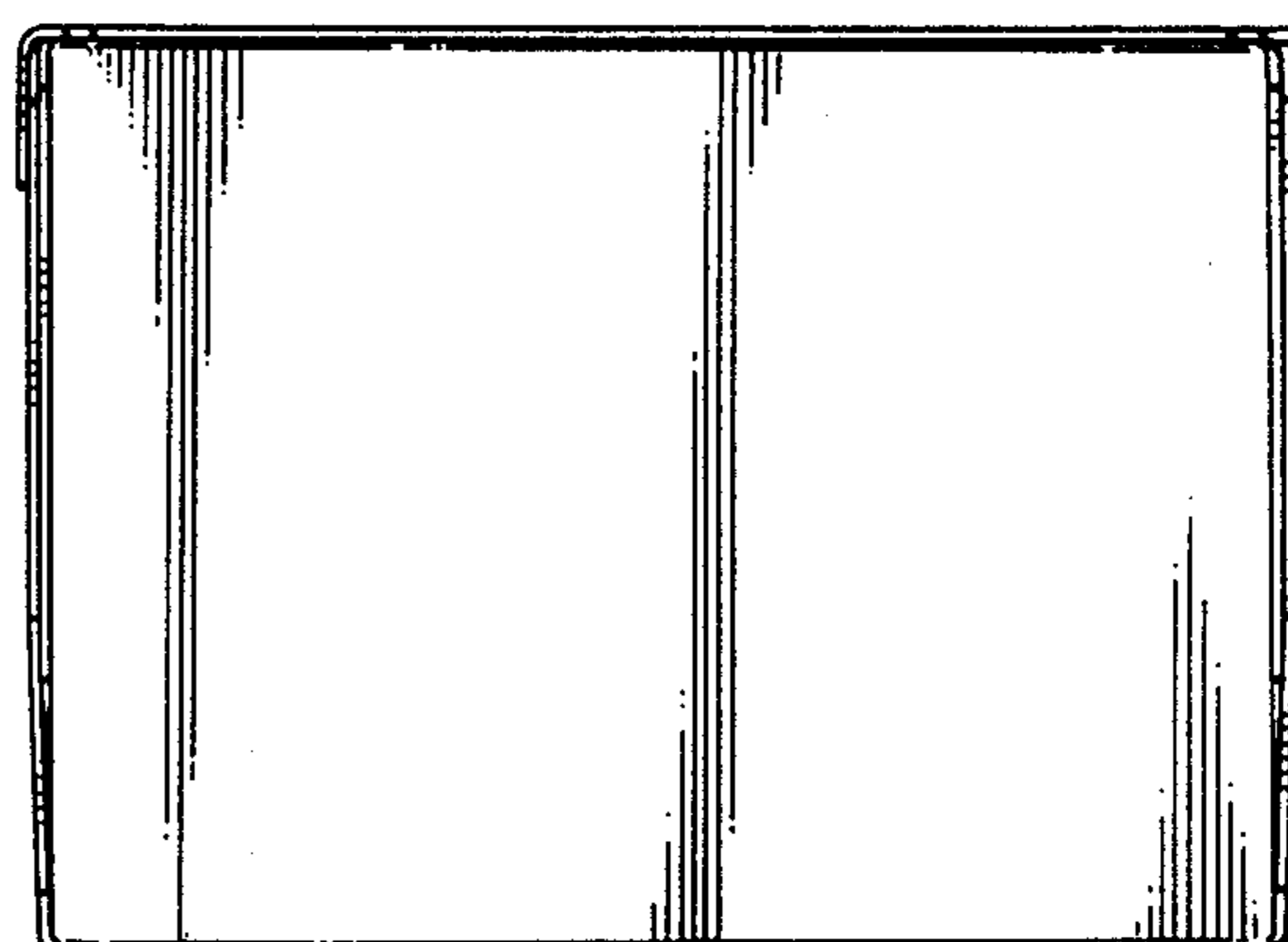


FIG. 8

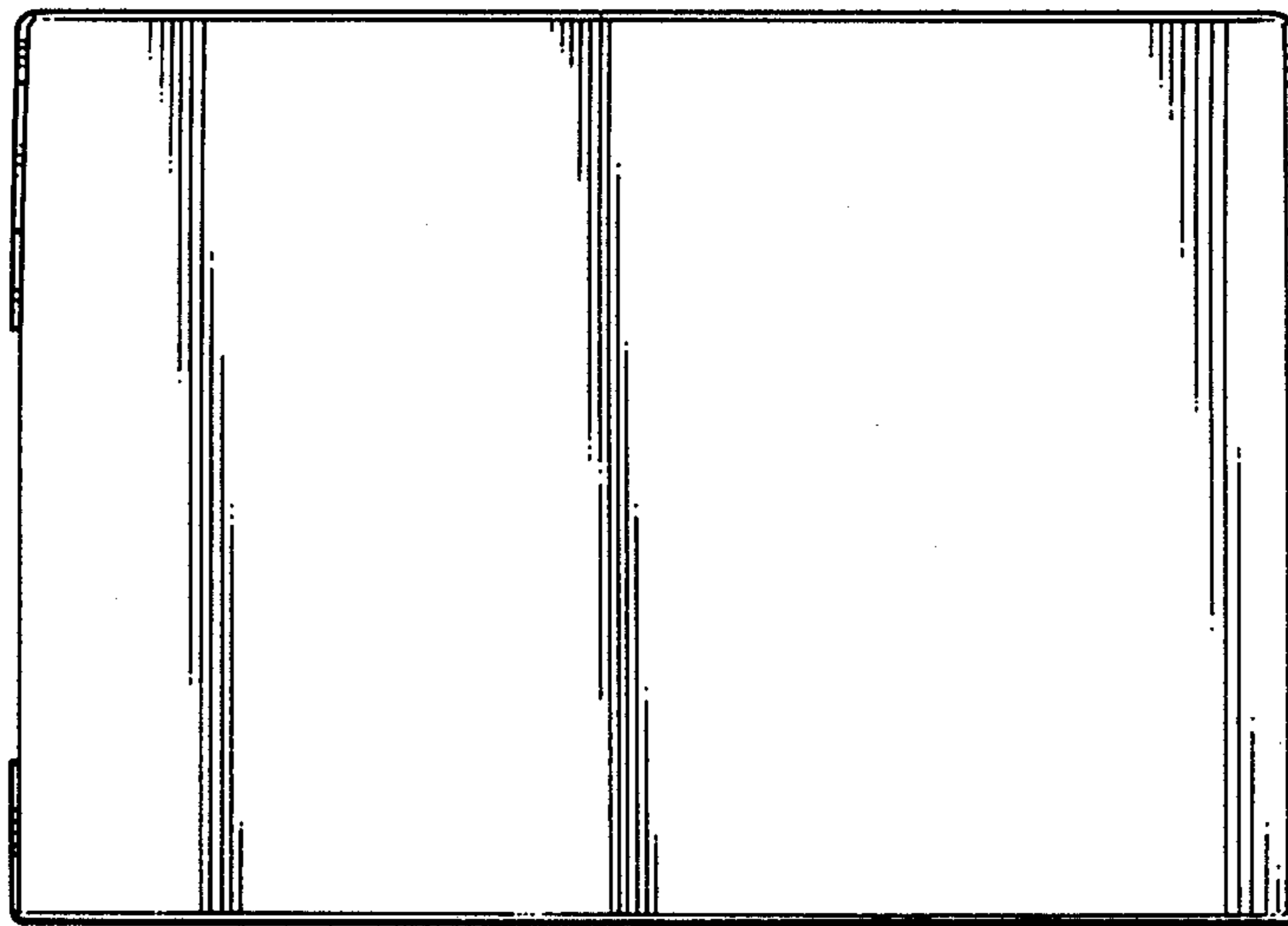


FIG. 9

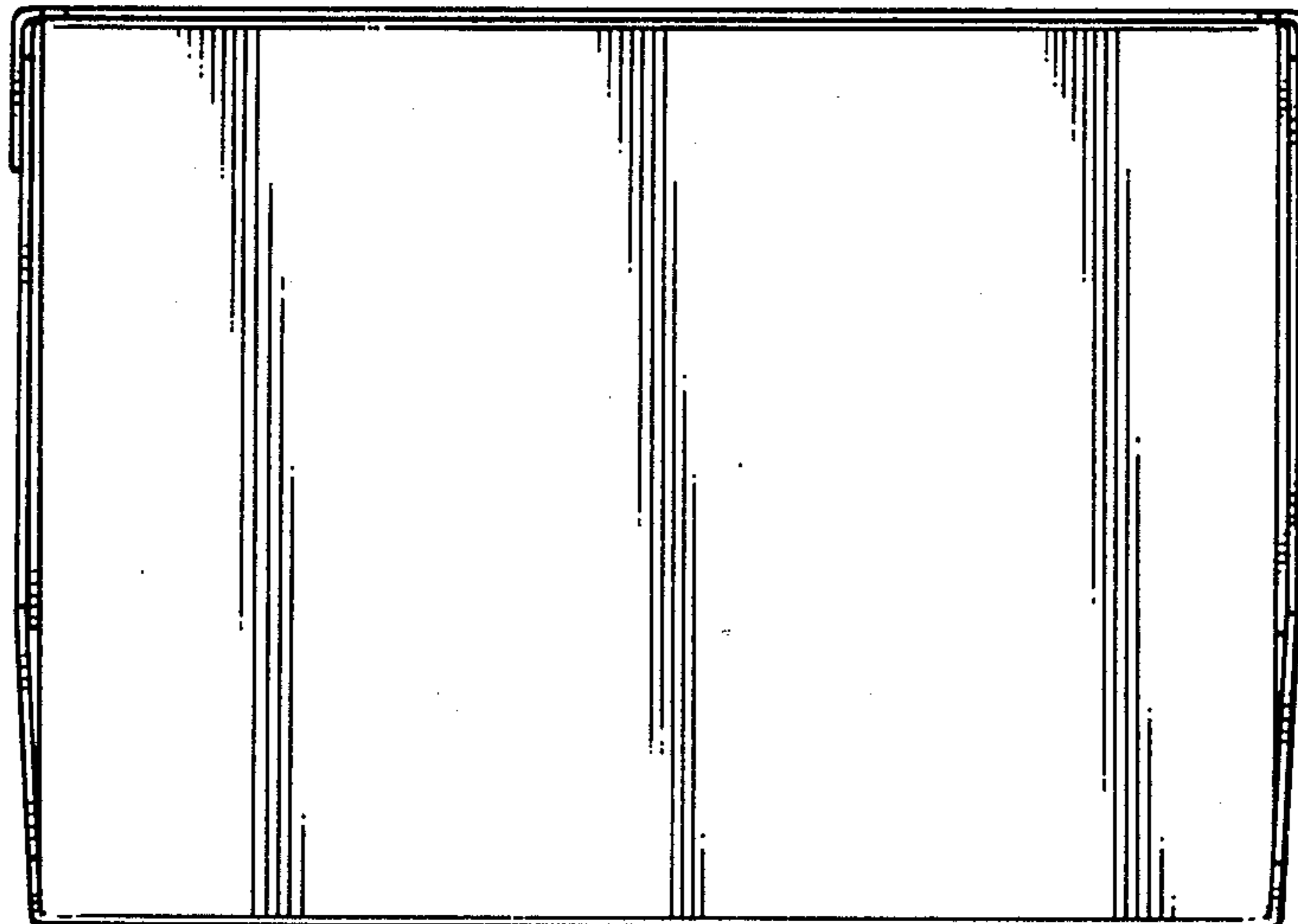


FIG. 10

