

[54] BEVERAGE CONTAINER

[76] Inventor: Andrew V. Manuel, P.O. Box 12, Portugal Cove, Newfoundland, Canada, A0A 3K0

[**] Term: 14 Years

[21] Appl. No.: 174,681

[22] Filed: Mar. 21, 1988

[30] Foreign Application Priority Data

Dec. 31, 1987 [CA] Canada 3-12-87-6

[52] U.S. Cl. D9/325; D34/39

[58] Field of Search D9/325; D34/39; D7/70; 217/72, 91, 99; 220/5 R

[56] References Cited

U.S. PATENT DOCUMENTS

952	10/1857	Rehn	D34/39
1,998	11/1864	Bailey	D9/325
D. 94,360	1/1935	Rose	D9/325
D. 123,637	11/1940	Karoff	D9/325
D. 220,462	4/1971	De Van et al.	D7/70

D. 225,048	11/1972	Cooper	D9/325
611,003	9/1898	Roth	D9/325
972,863	10/1910	James	D9/325
983,259	1/1911	Roth et al.	217/99
1,200,581	10/1916	Brown	217/91

OTHER PUBLICATIONS

Liquor Store Magazine; Dec. 1975; p. 58; Oak Cask. Liquor Store Magazine; Oct. 1975; p. 58; Harper's Barrel.

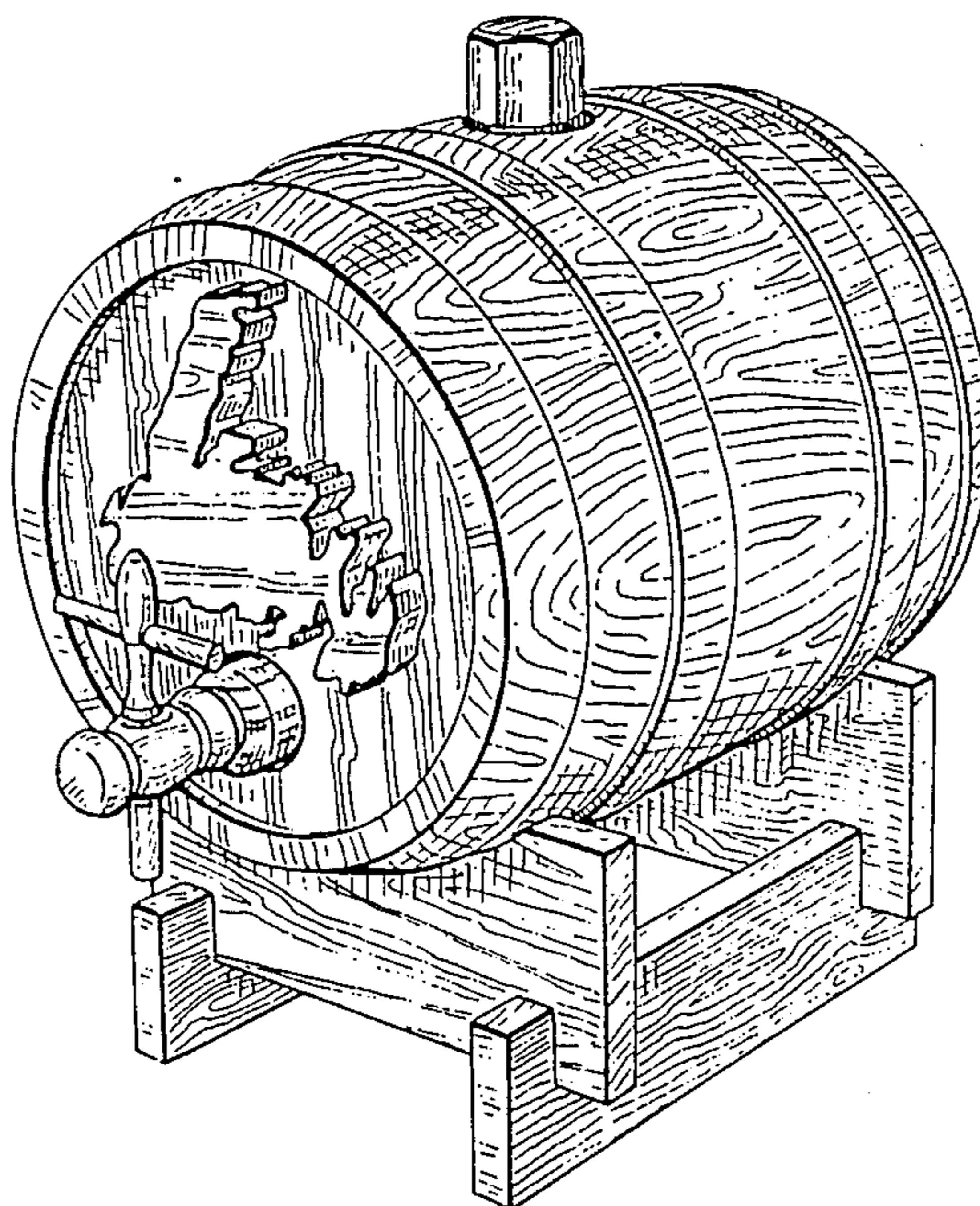
Primary Examiner—B. J. Bullock
Assistant Examiner—Dominic Simone
Attorney, Agent, or Firm—Fetherstonhaugh & Co.

[57] CLAIM

The ornamental design for a beverage container, as shown and described.

DESCRIPTION

FIG. 1 is a front perspective view of a beverage container showing my new design; FIG. 2 is a bottom rear perspective view thereof; FIG. 3 is a front view thereof; and FIG. 4 is a side view thereof.



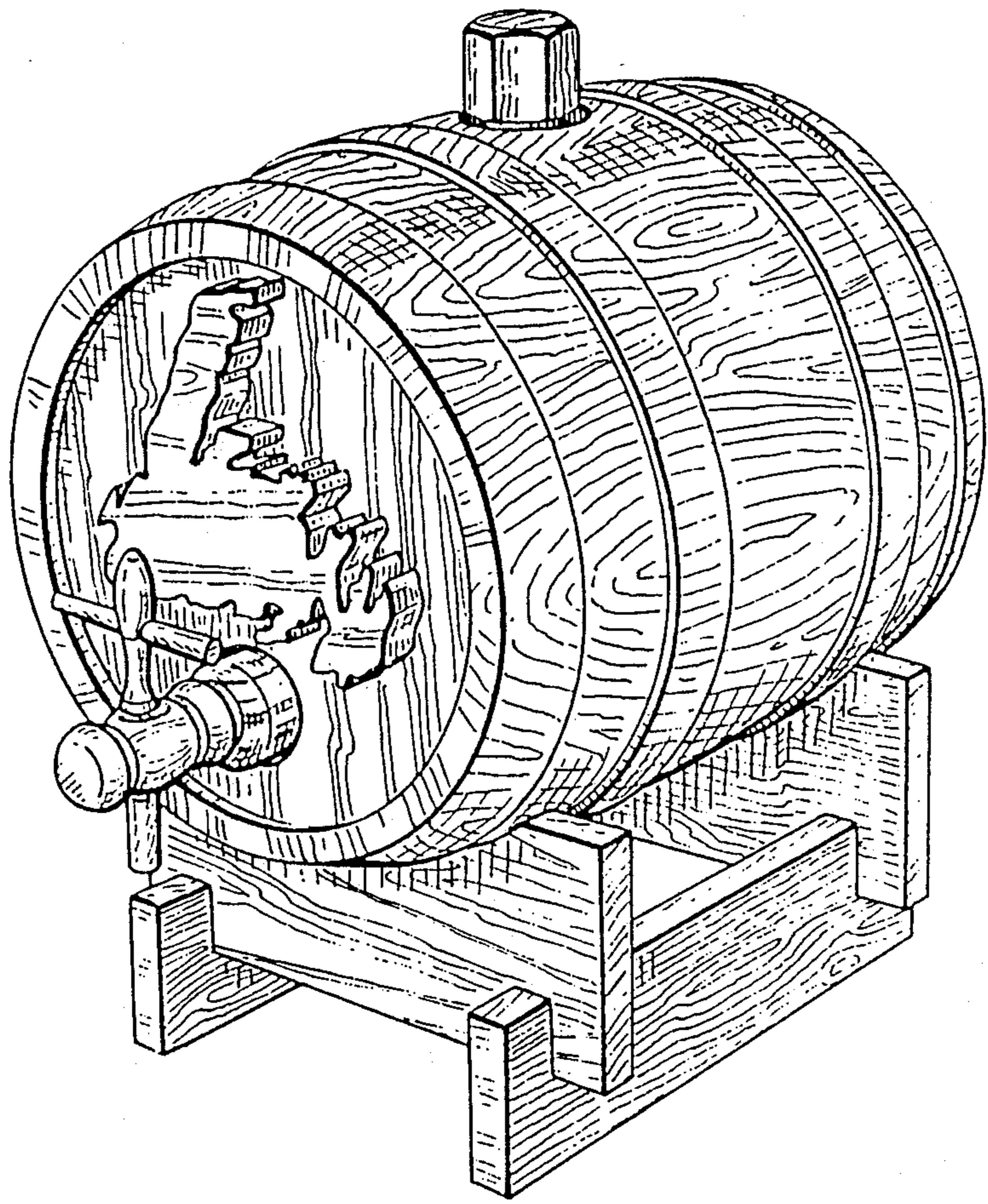


FIG. 1

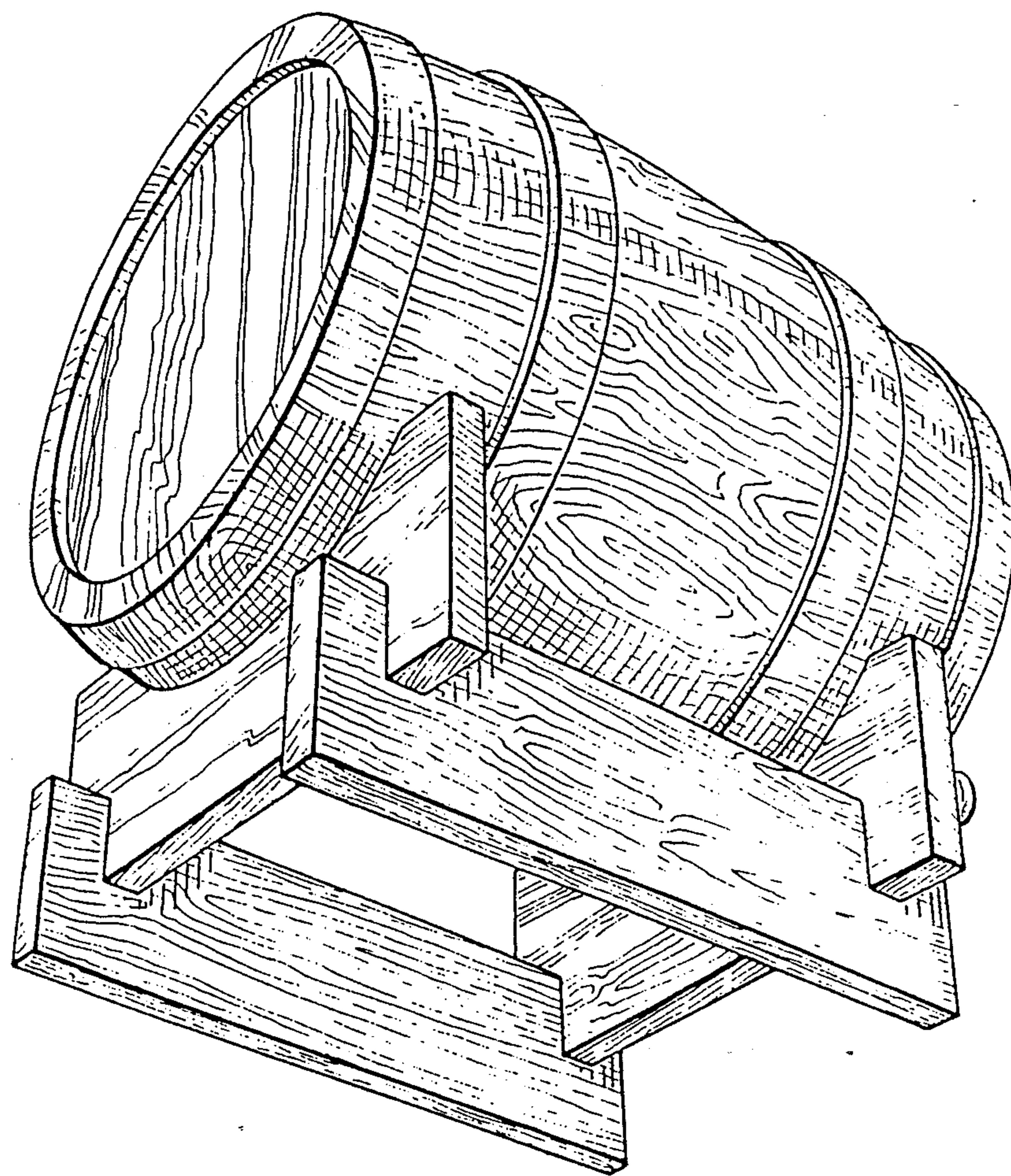


FIG. 2

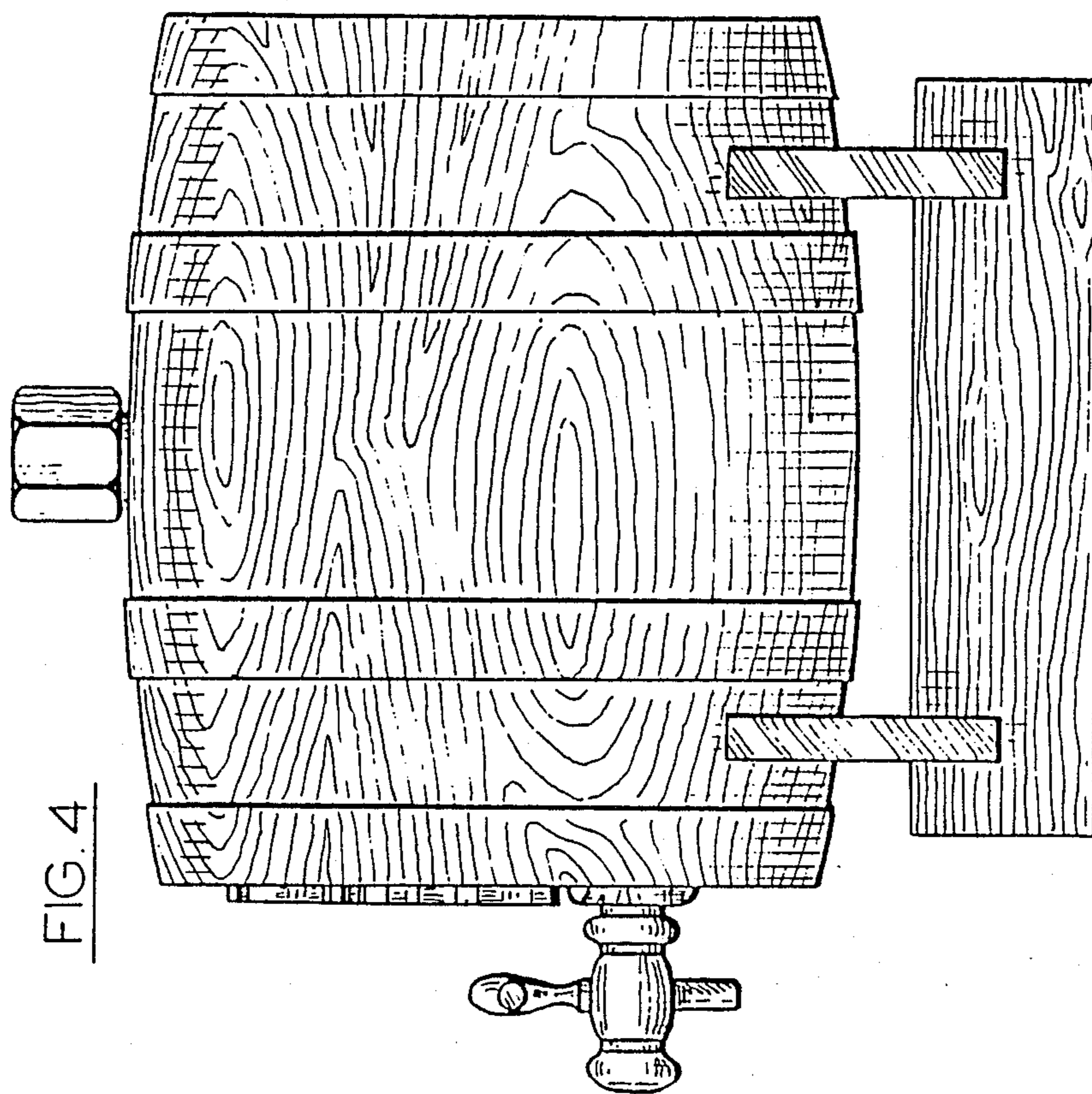


FIG. 4

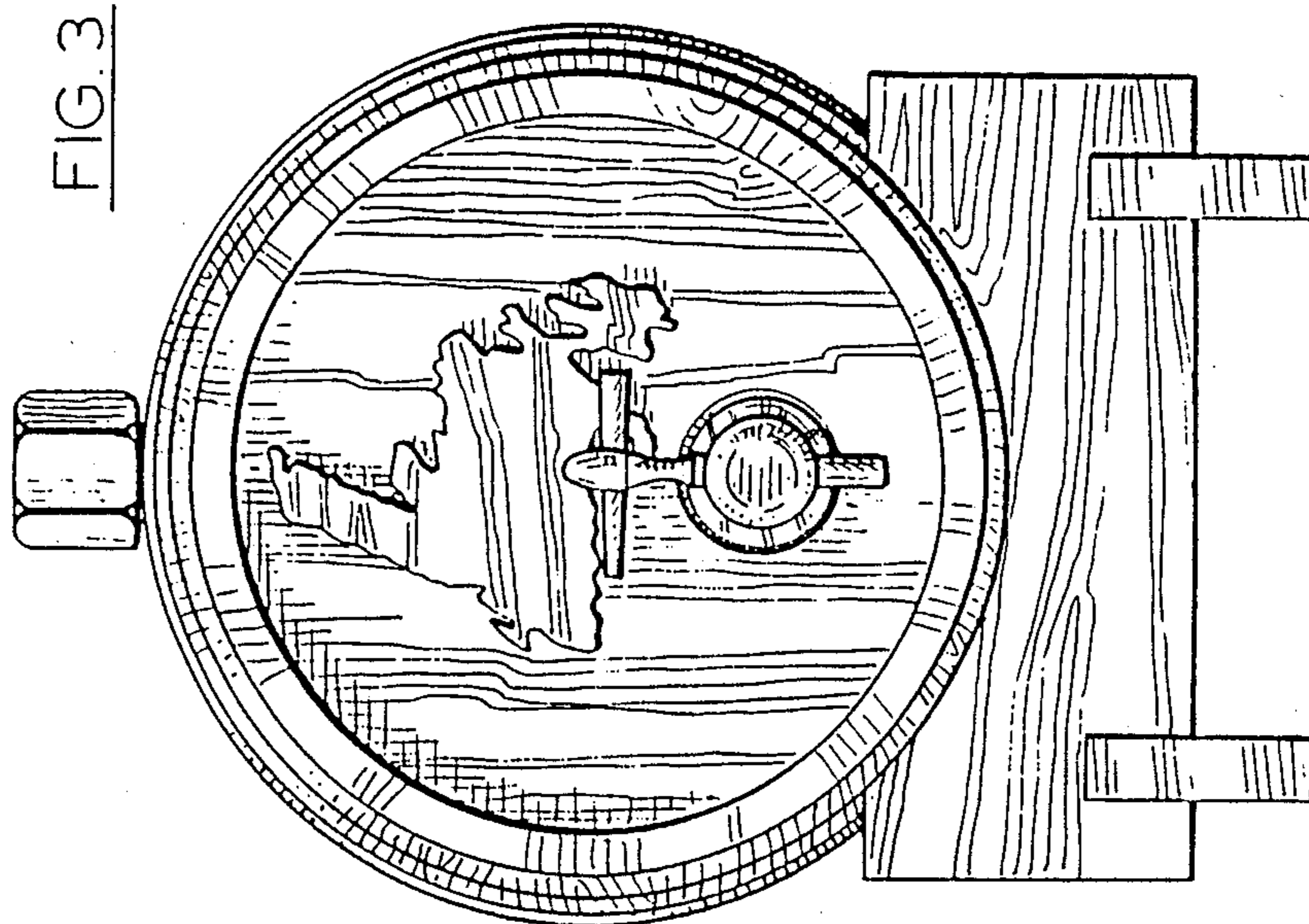


FIG. 3