

United States Patent [19]

Aranibar

[11] Patent Number: **Des. 310,623**

[45] Date of Patent: **** Sep. 18, 1990**

[54] **BRACKET FOR CLOSET SHELF SUPPORT ROD**

[75] Inventor: **Ernesto E. Aranibar, Miami, Fla.**

[73] Assignee: **Shelfco, Inc., Ft. Lauderdale, Fla.**

[**] Term: **14 Years**

[21] Appl. No.: **150,726**

[22] Filed: **Feb. 1, 1988**

[52] U.S. Cl. **D8/380; 248/250; D8/396; D8/363; D8/354**

[58] Field of Search **D8/381, 357, 354; 248/250**

[56] **References Cited**

U.S. PATENT DOCUMENTS

D. 239,593	4/1976	Douma	D8/354
D. 253,380	11/1979	Pi Henger	D8/381
D. 267,685	1/1983	Vrignand	D8/367
D. 281,575	12/1985	Chap	D8/367
3,471,111	10/1969	MacDonald	248/250 X
3,780,209	12/1973	Scherplin	220/3.9 X

4,053,132	10/1977	Del Pozzo	248/250 X
4,646,998	3/1987	Pate	248/250
4,669,936	6/1987	Camilleri	248/250 X
4,722,648	2/1988	Camilleri	248/250 X
4,735,325	4/1988	Remmers	248/250 X

Primary Examiner—Horace B. Fay, Jr.

Attorney, Agent, or Firm—Merrill N. Johnson

[57] **CLAIM**

The ornamental design for bracket for closet shelf support rod, as shown and described.

DESCRIPTION

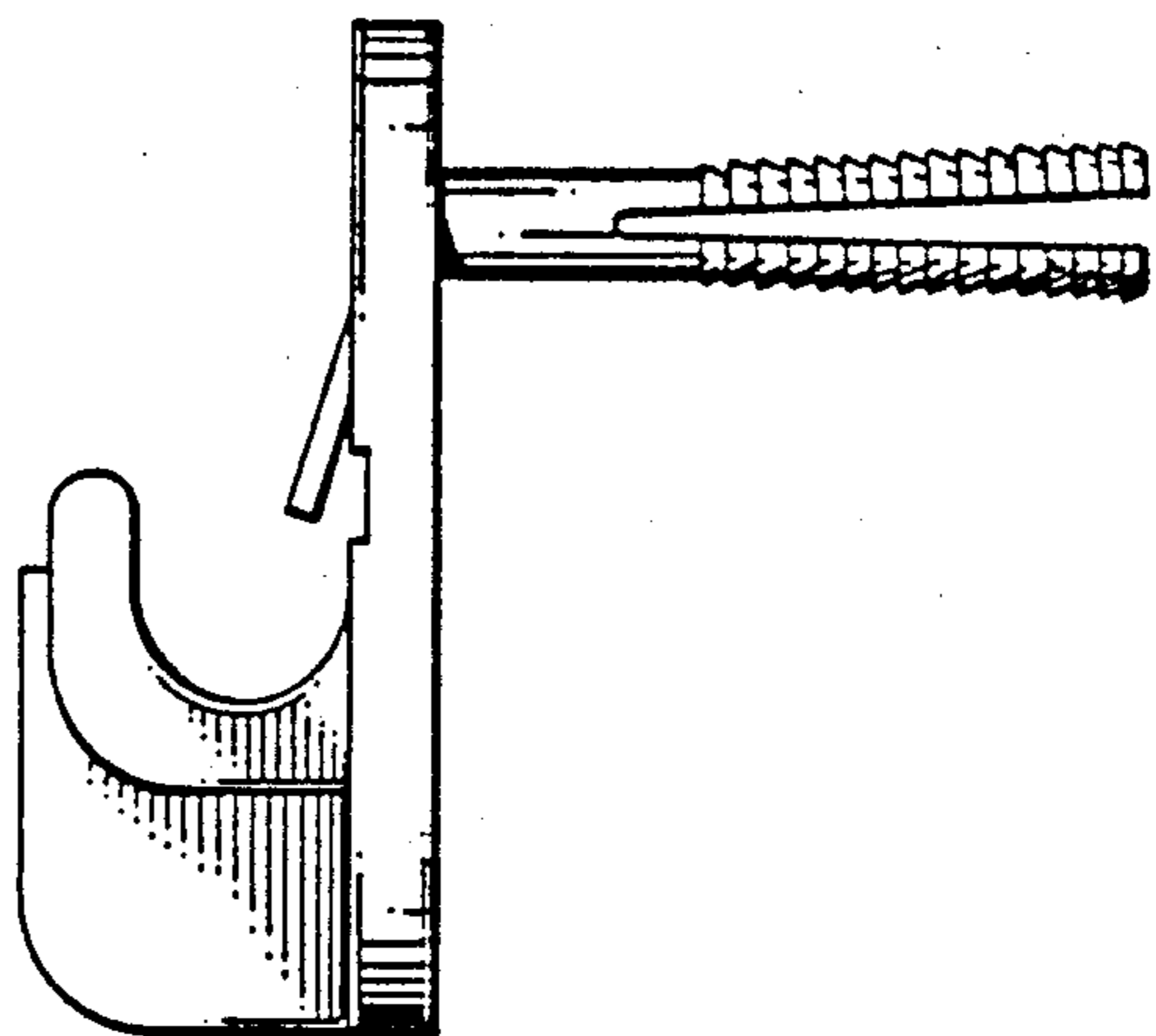
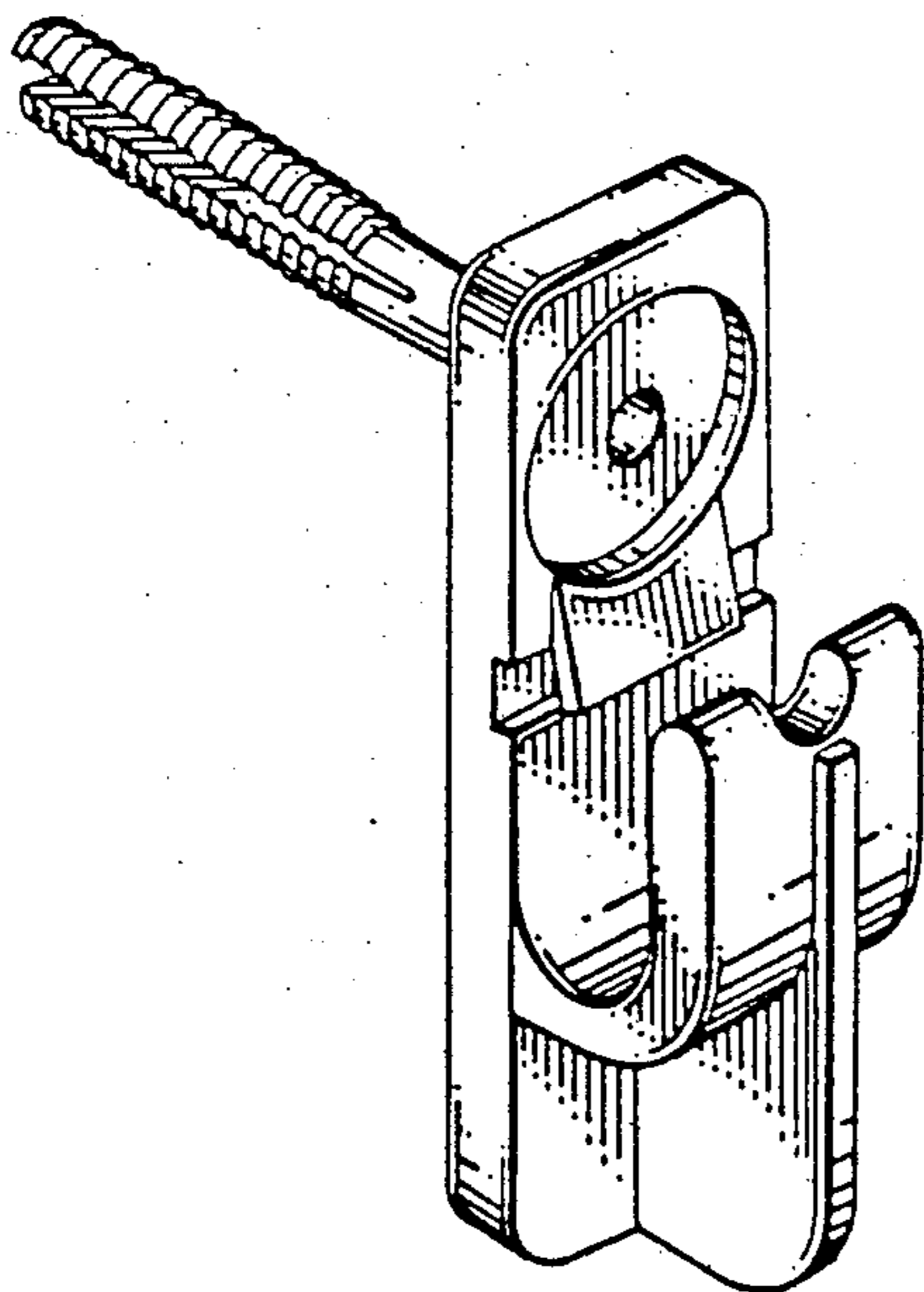
FIG. 1 is a left side, top and front perspective view of a bracket for closet shelf support rod showing my new design;

FIG. 2 is a rear, top and left side perspective view thereof;

FIG. 3 is a right side elevational view thereof, the side opposite being a mirror image;

FIG. 4 is a rear elevational view thereof; and

FIGS. 5 and 6 are respectively top and bottom plan views thereof.



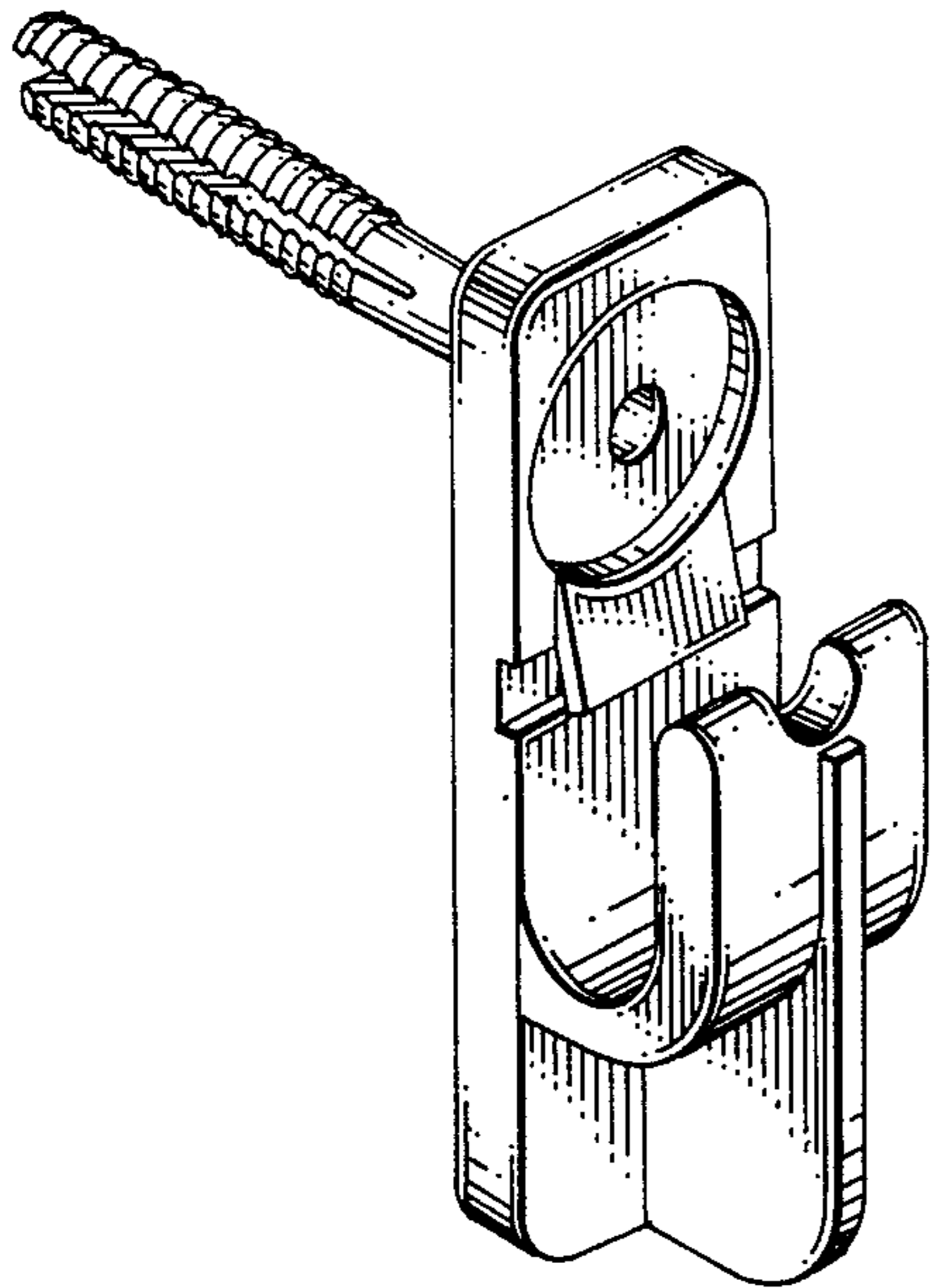


FIG. 1

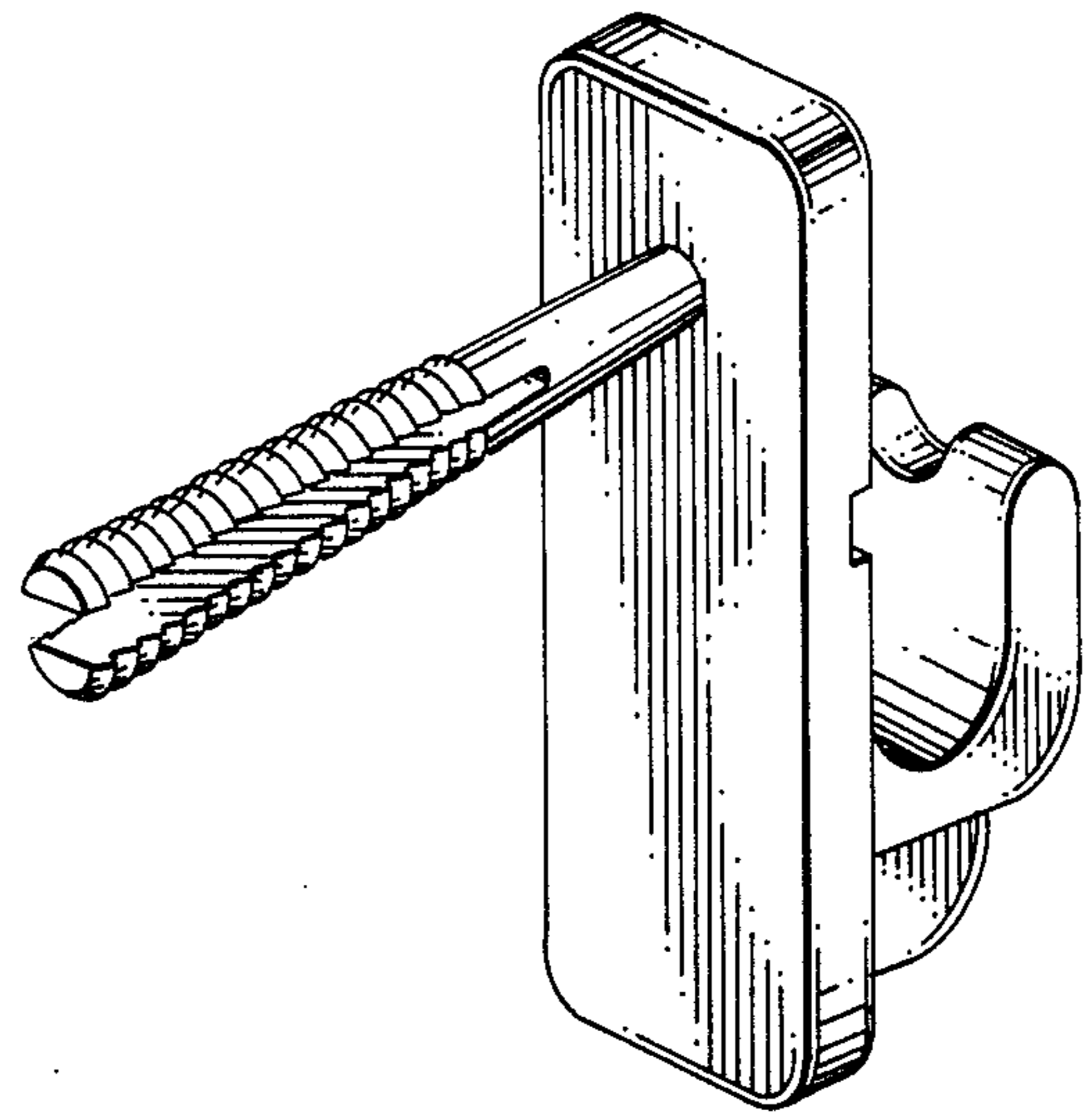


FIG. 2

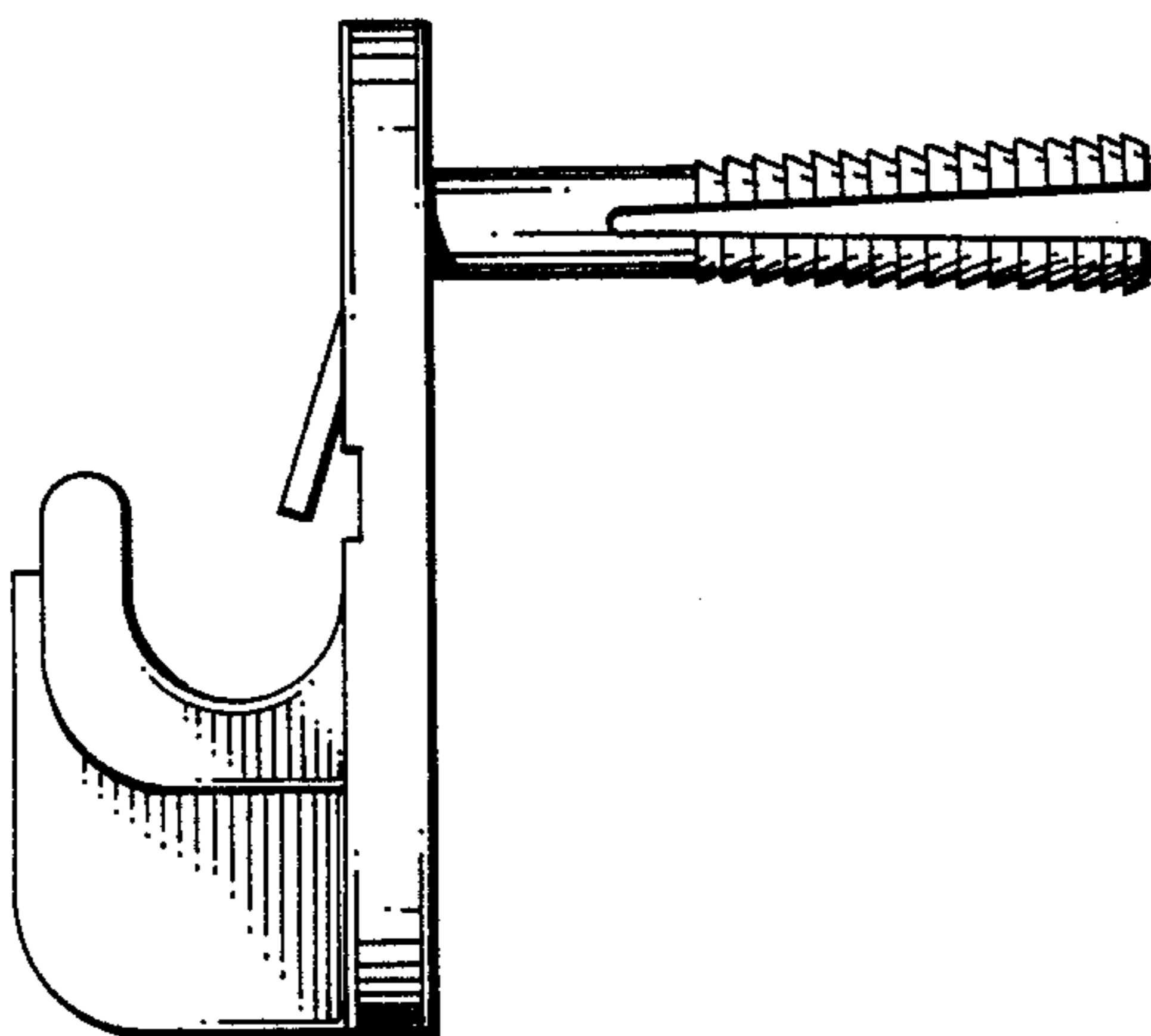


FIG. 3

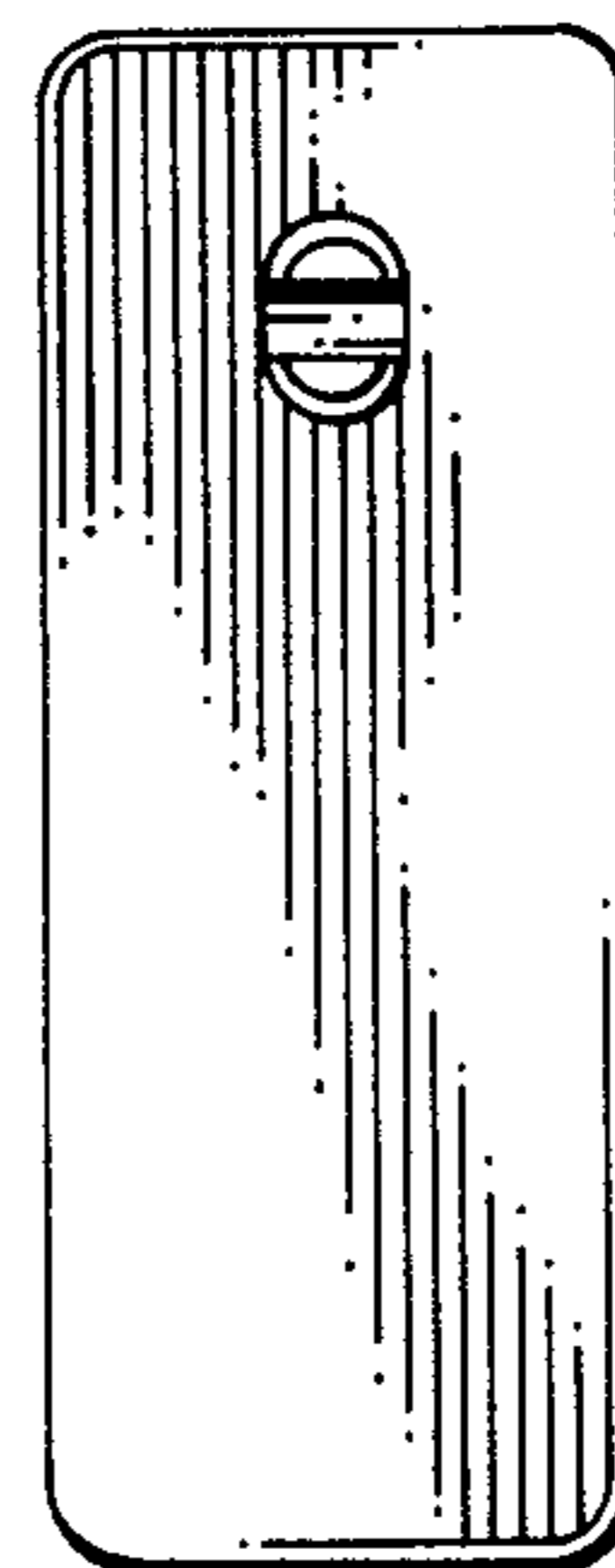


FIG. 4

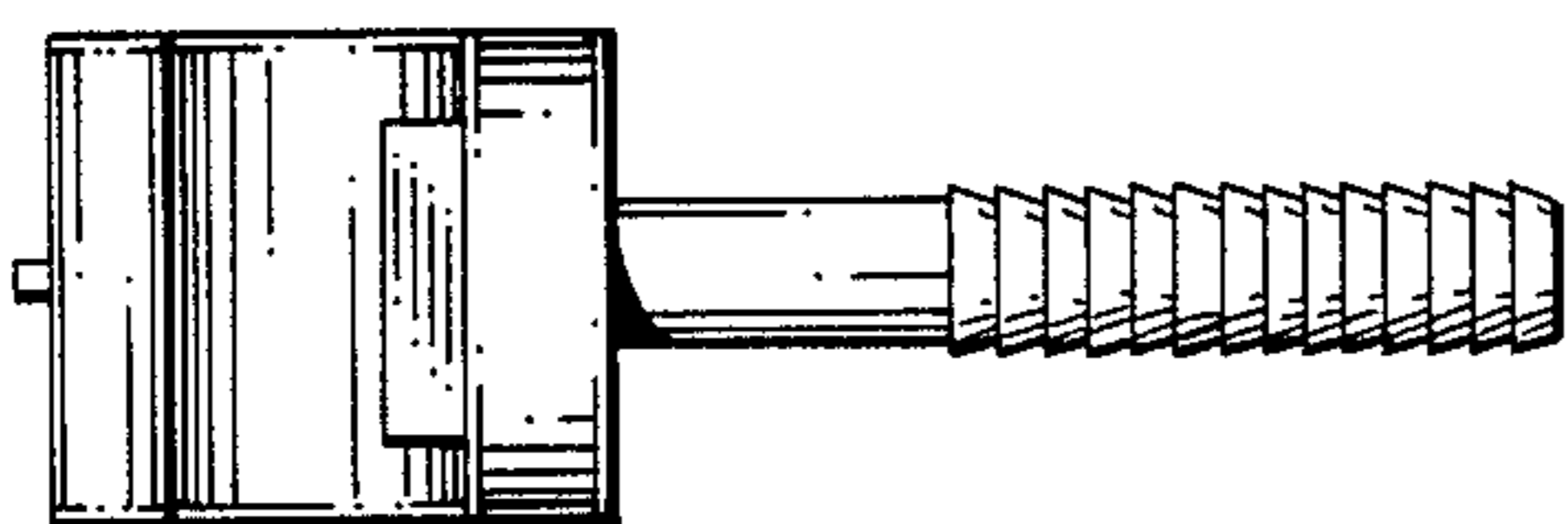


FIG. 5

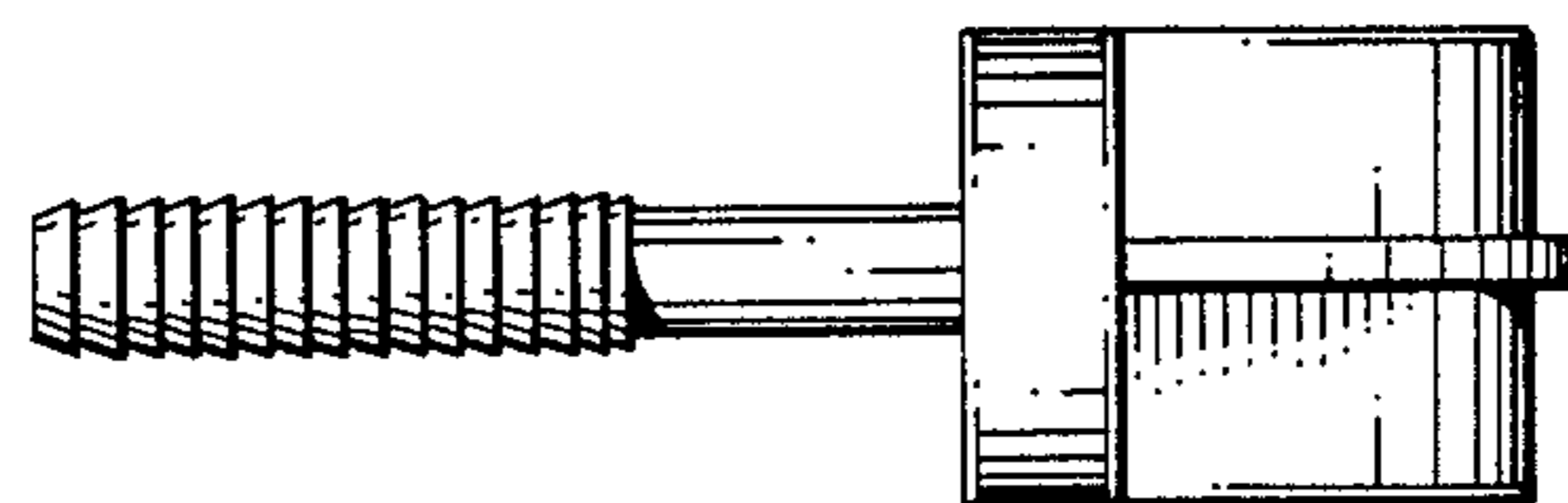


FIG. 6