

[54] **FOODSTUFFS CONTAINER**

[75] Inventor: **Ambrogio Pozzi, Gallarate, Italy**

[73] Assignee: **Fratelli Guzzini S.p.A., Recanati, Italy**

[**] Term: **14 Years**

[21] Appl. No.: **109,426**

[22] Filed: **Oct. 16, 1987**

[30] **Foreign Application Priority Data**
 Apr. 27, 1987 [IT] Italy 21464/87[U]

[52] U.S. Cl. **D7/538; D7/542; D9/424; D9/428**

[58] Field of Search **D7/16-18, D7/3, 76, 77; D9/423, 424, 428**

[56] **References Cited**
U.S. PATENT DOCUMENTS
 D. 232,703 9/1974 Konzi D9/424

D. 280,058 8/1985 Carlson D7/16
 2,004,449 6/1935 Stanley D7/16 X
 3,487,972 1/1970 Swett D7/16 X
 4,095,716 6/1978 Meany D7/17 X

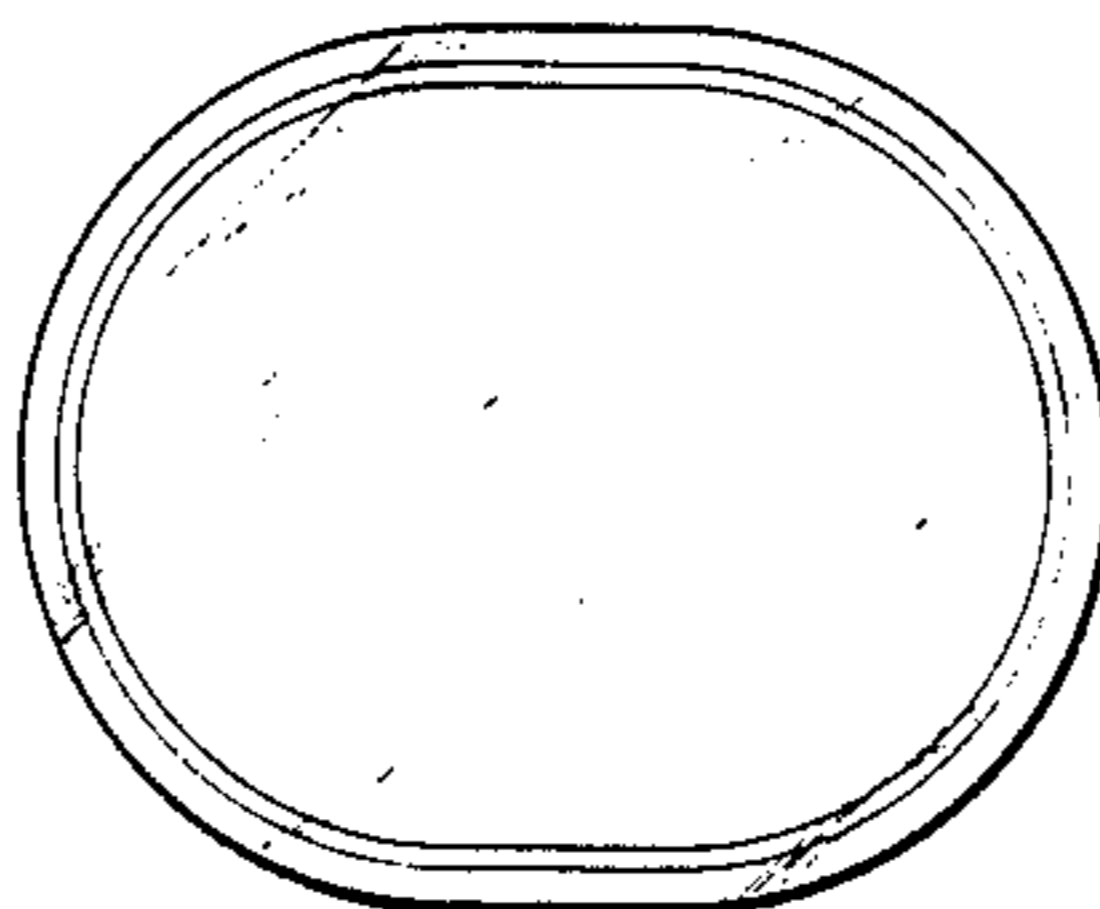
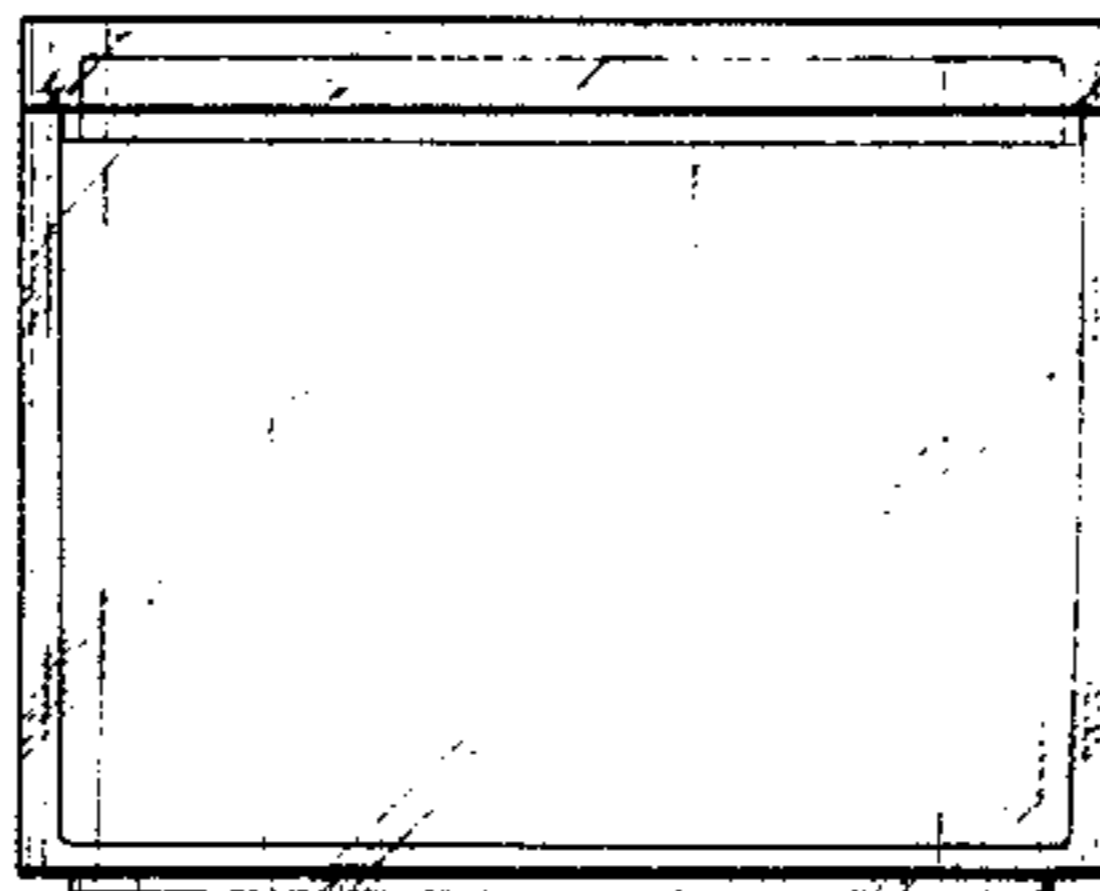
Primary Examiner—Winifred Herrmann
Attorney, Agent, or Firm—Hedman, Gibson, Costigan & Hoare

[57] **CLAIM**

The ornamental design for a foodstuffs container, as shown and described.

DESCRIPTION

FIG. 1 is a top perspective view of a foodstuffs container showing my new design;
 FIG. 2 is a side elevational view thereof taken in the direction of arrow 2 on FIG. 1;
 FIG. 3 is another side elevational view thereof taken in the direction of arrow 3 on FIG. 1;
 FIG. 4 is a top plan view thereof; and
 FIG. 5 is a bottom plan view thereof.



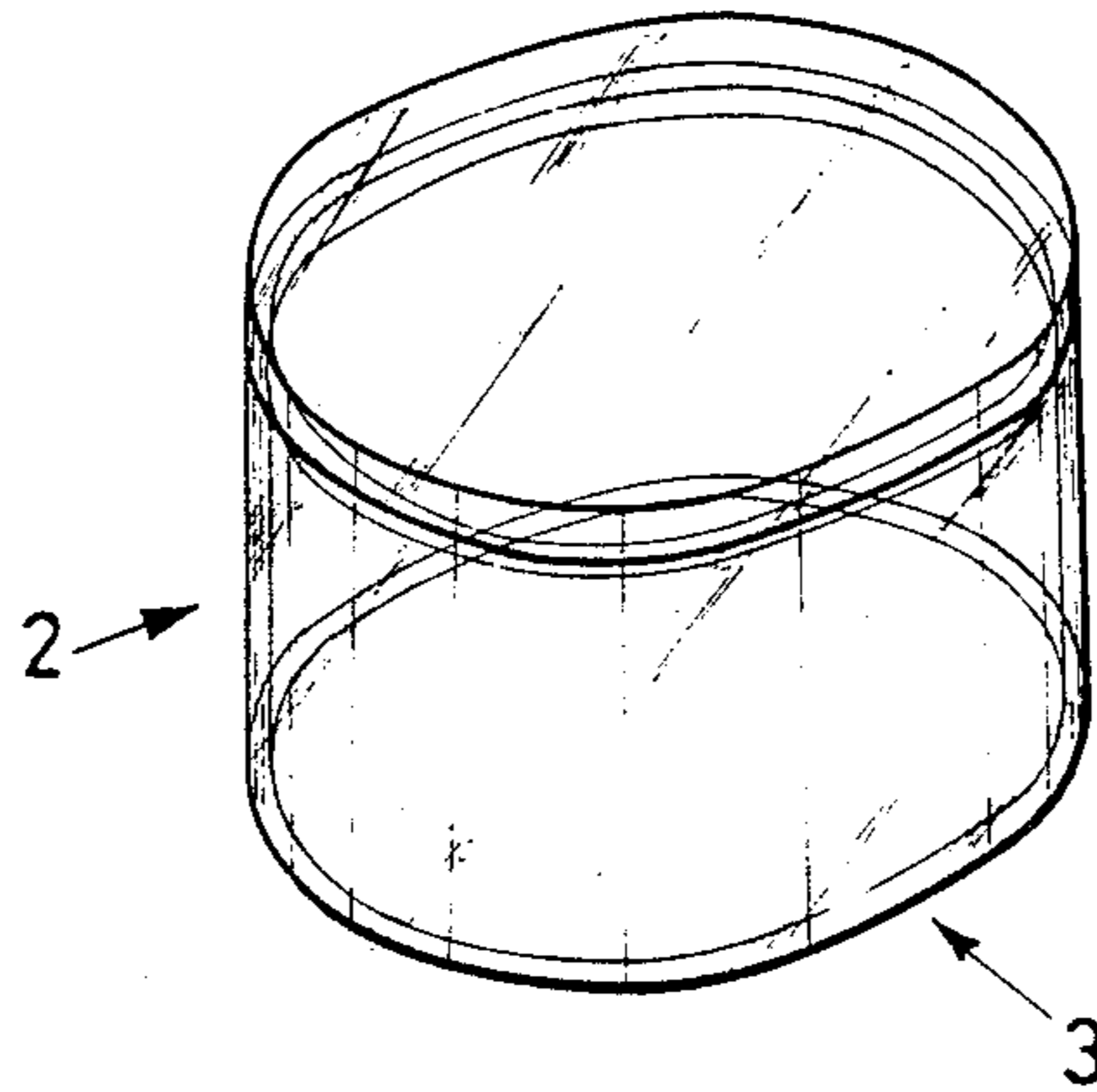


Fig.1

Fig.2

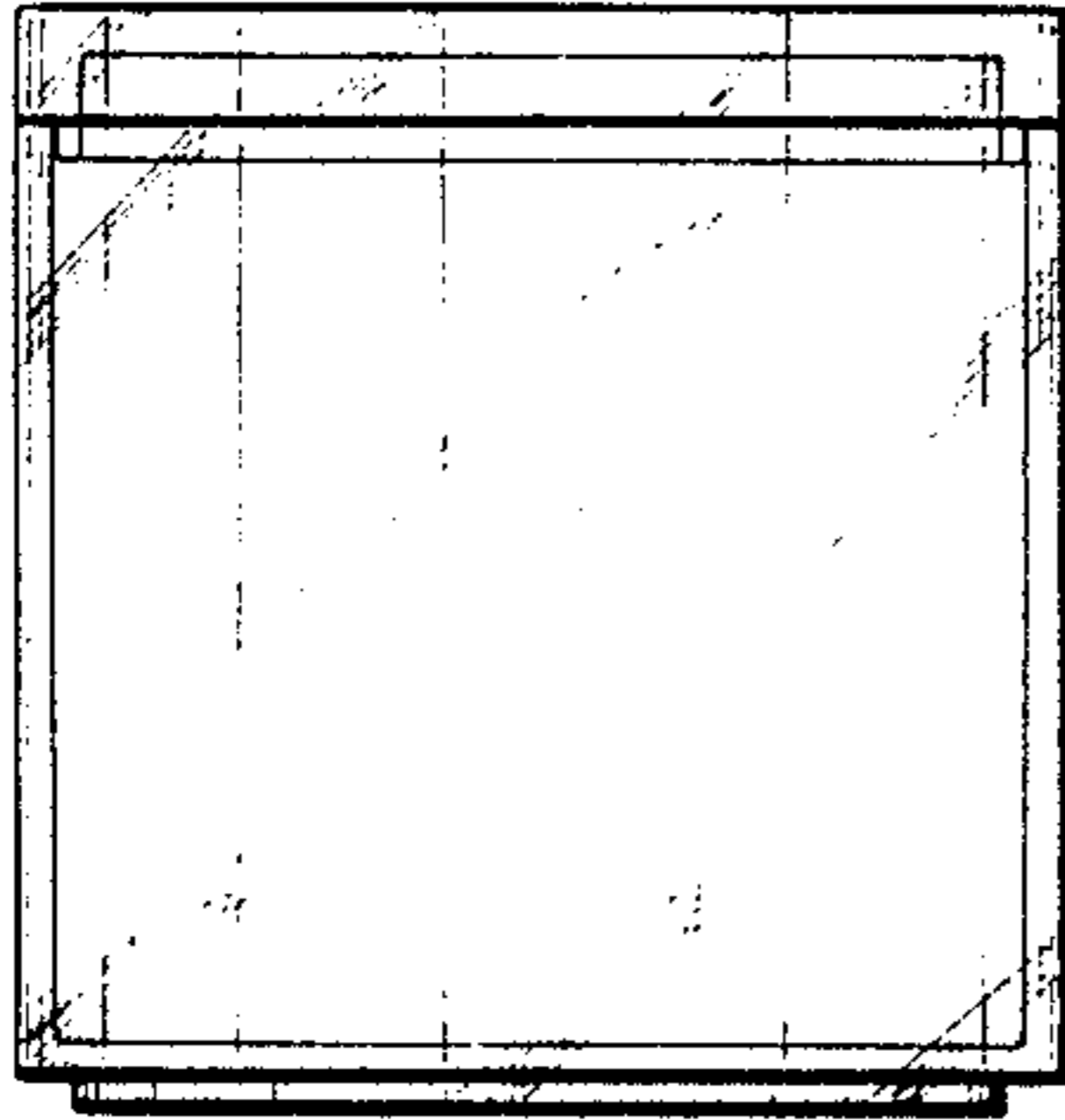


Fig.3

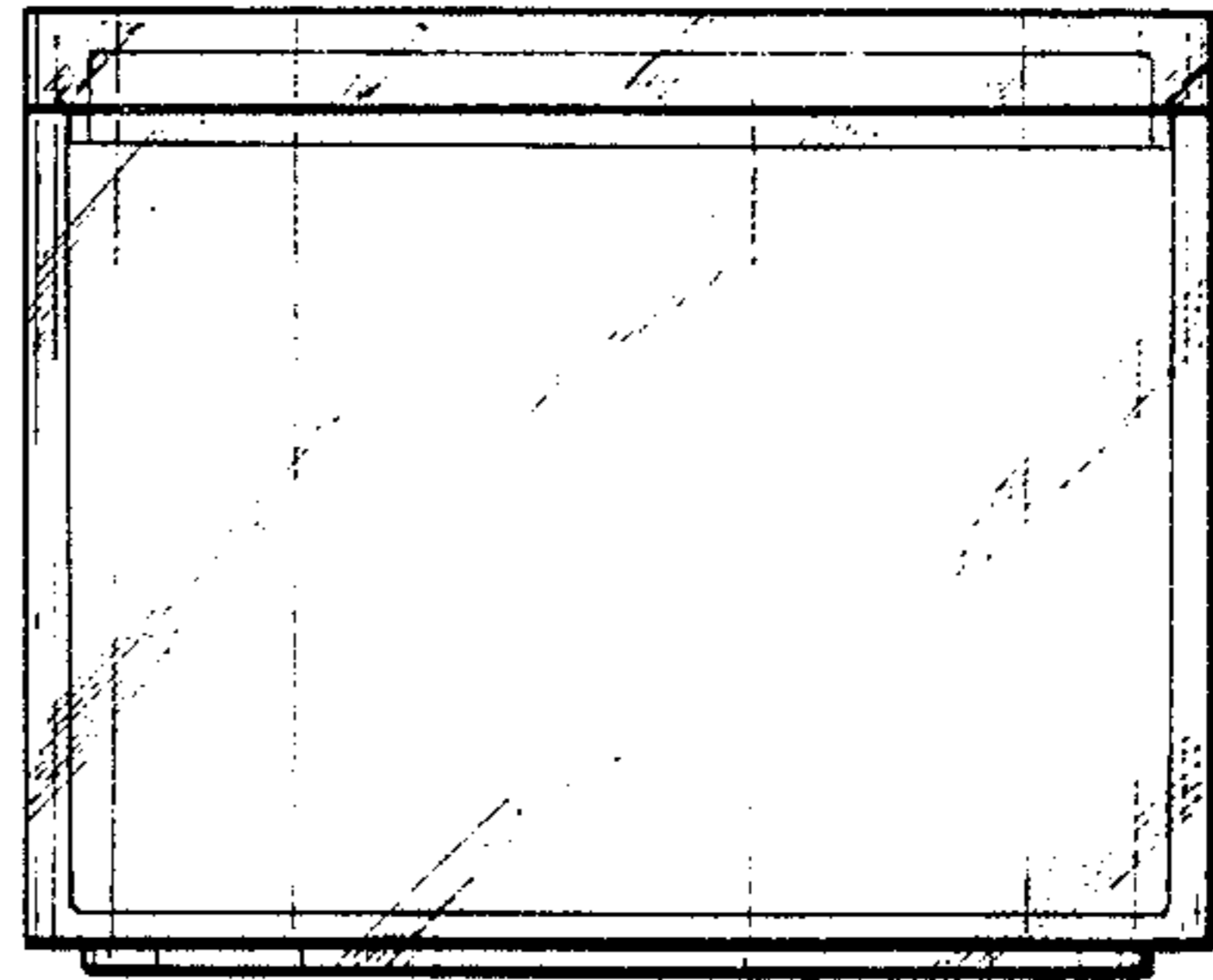


Fig.5

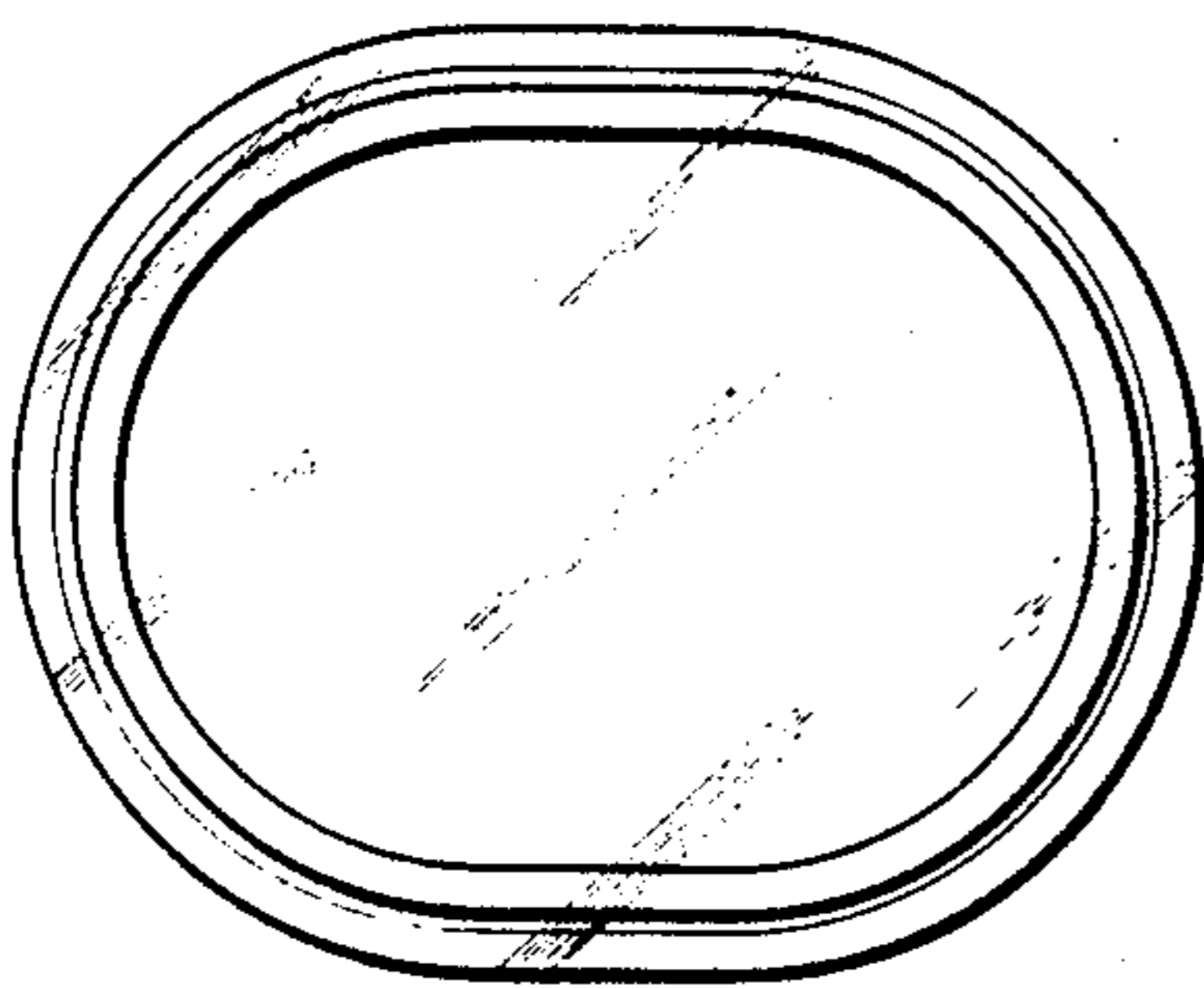


Fig.4

