

[54] COLLAPSIBLE CHAIR
[75] Inventor: Sun E. Kwon, Seoul, Rep. of Korea
[73] Assignee: Total Design Corporation, Seoul, Rep. of Korea

4,014,591	3/1977	Gittings	297/57
4,047,752	9/1977	Rohr	297/16
4,148,520	4/1979	Miller	297/16
4,605,261	8/1986	Lee	297/16
4,673,211	6/1987	Hoffman	297/16
4,836,601	6/1989	Cone	297/45

[**] Term: 14 Years

Primary Examiner—Bruce W. Dunkins
Assistant Examiner—Ann Hunt
Attorney, Agent, or Firm—Robin, Blecker, Daley & Driscoll

[21] Appl. No.: 22,353

[22] Filed: Mar. 5, 1987

[30] Foreign Application Priority Data

Jan. 8, 1987 [KR] Rep. of Korea 87-74

[52] U.S. Cl. D6/368

[58] Field of Search D6/347, 367, 368;
297/16, 41, 45, 441

[57] CLAIM

The ornamental design for a collapsible chair, as shown and described.

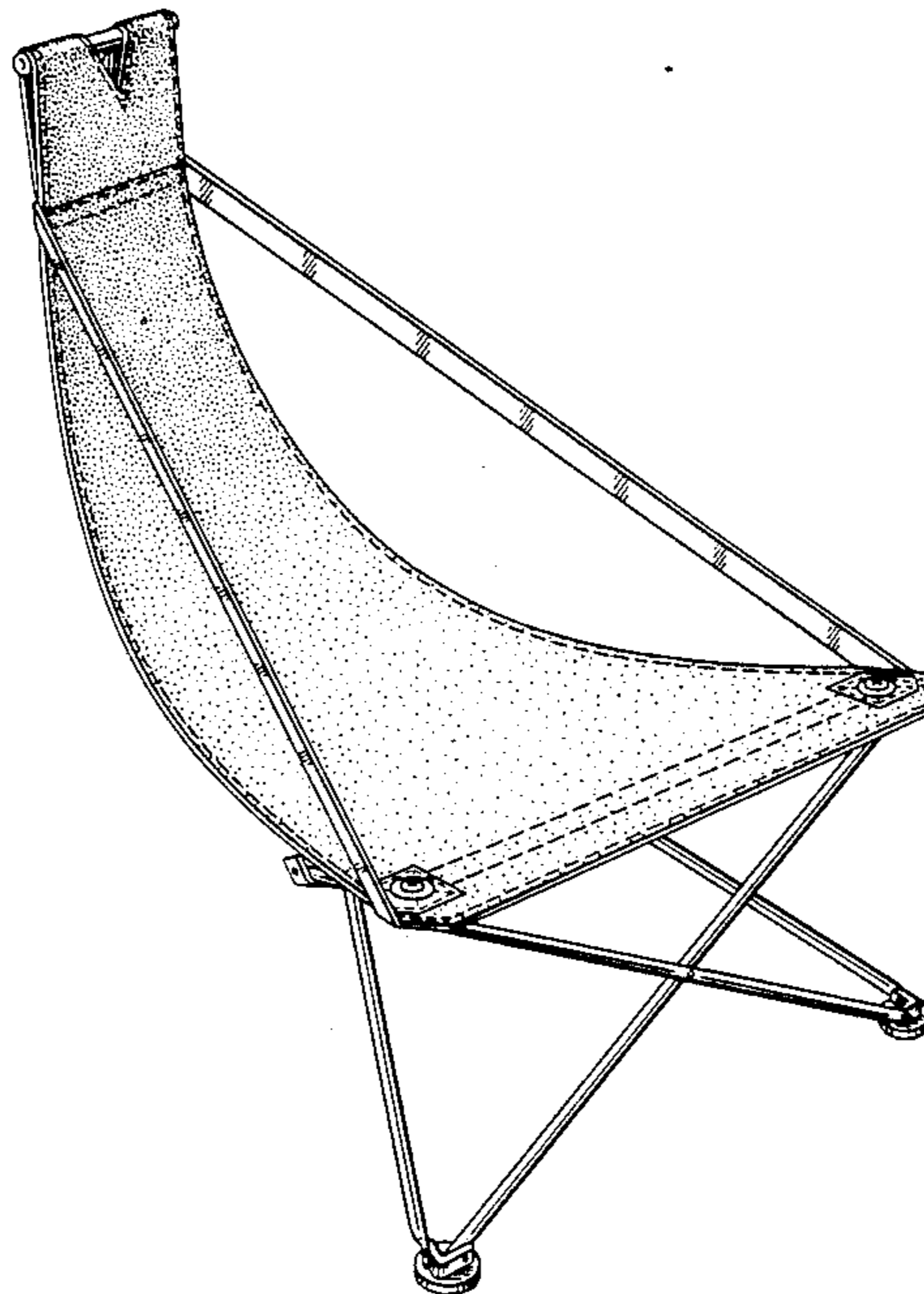
DESCRIPTION

FIG. 1 is a top plan view of a collapsible chair showing my new design;
FIG. 2 is a bottom plan view thereof;
FIG. 3 is a front elevational view thereof;
FIG. 4 is a rear elevational view thereof;
FIG. 5 is a left side elevational view, the right side view being a mirror image thereof; and
FIG. 6 is a perspective view thereof.

[56] References Cited

U.S. PATENT DOCUMENTS

D. 290,557	6/1987	Salvati et al.	D6/368
D. 298,888	12/1988	Conn	D6/368
2,587,543	2/1952	Smith	297/56
2,691,410	10/1954	Boucher	297/57
2,712,349	7/1955	LeVoir	297/441



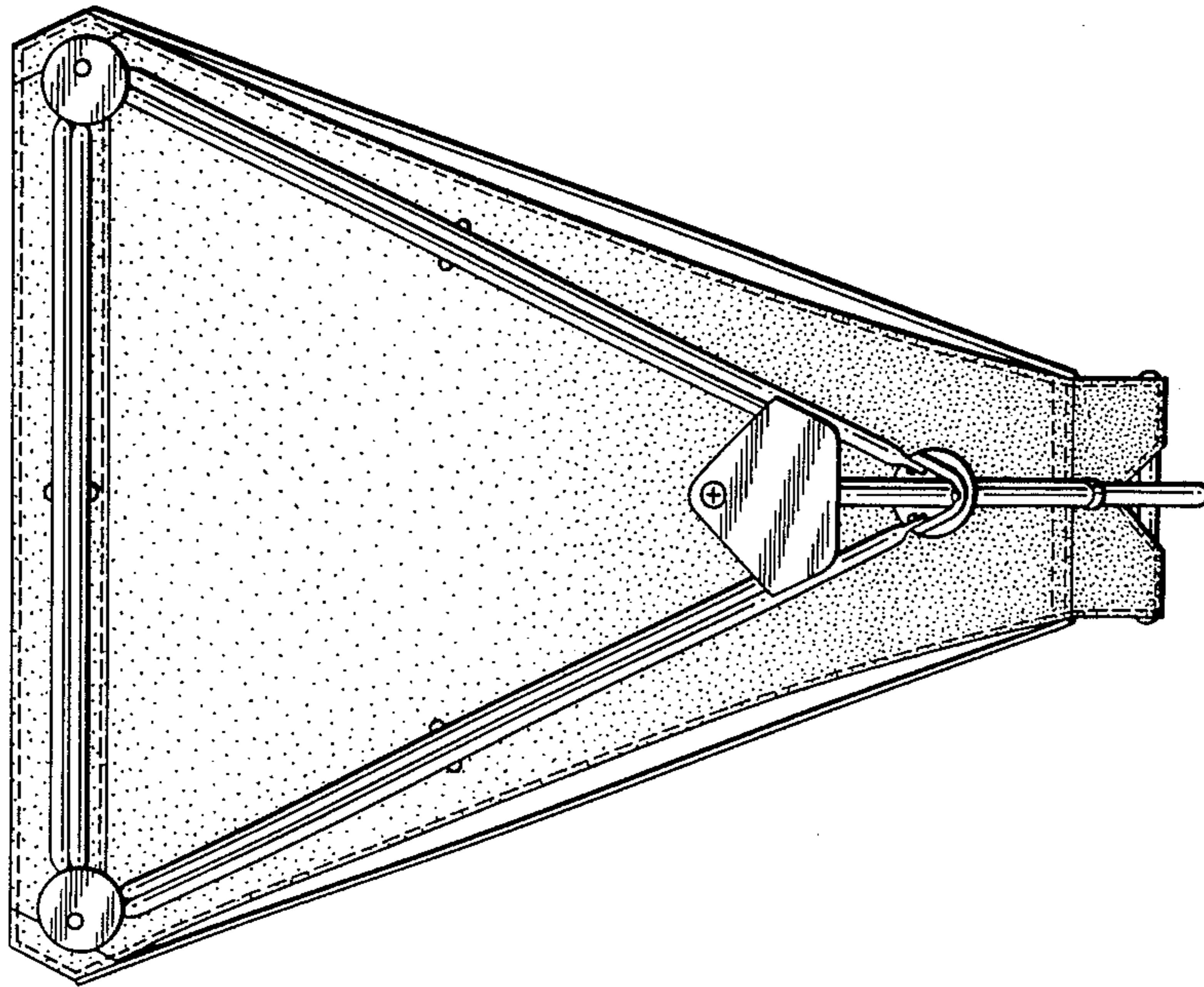


FIG. 2

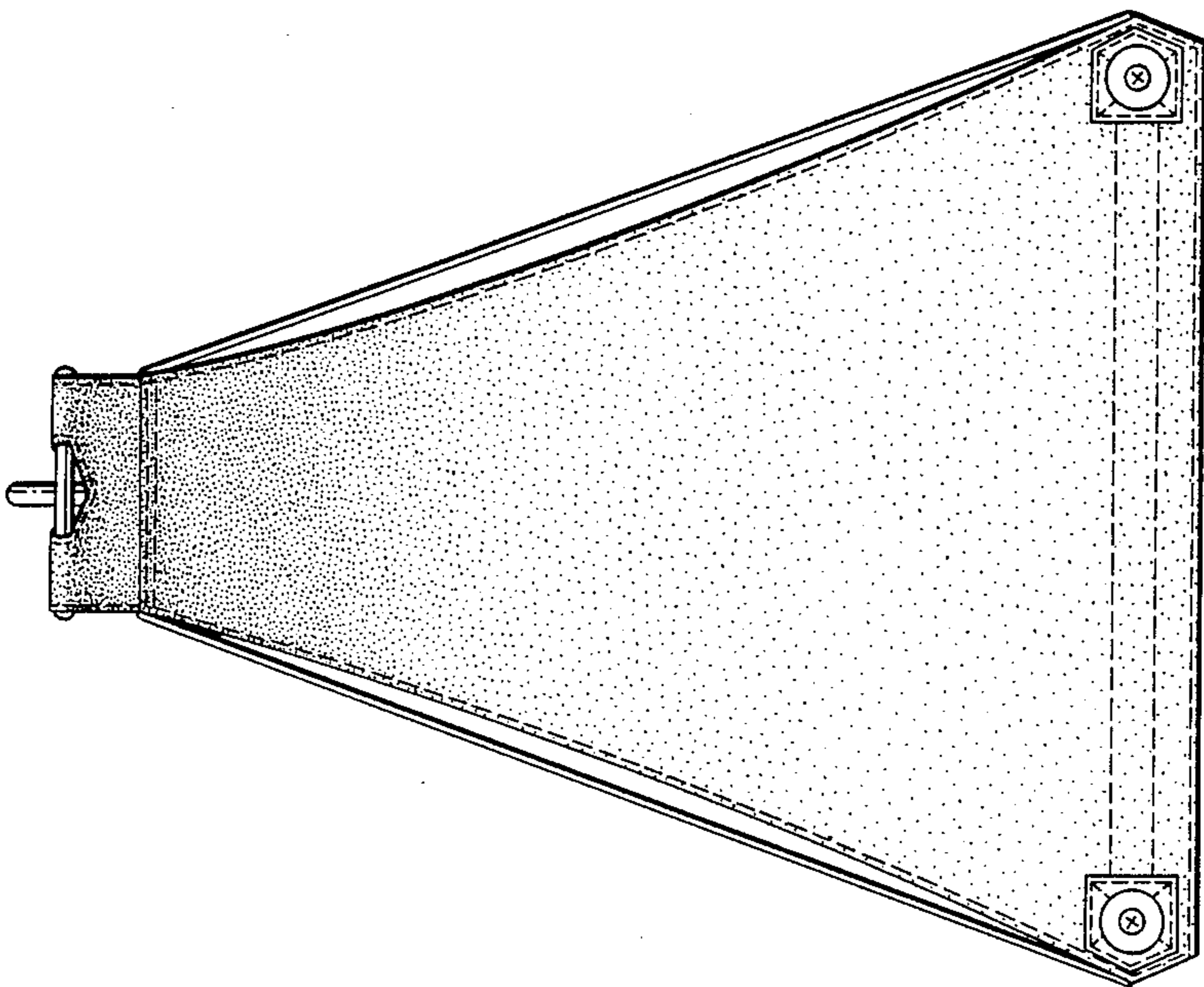


FIG. 1

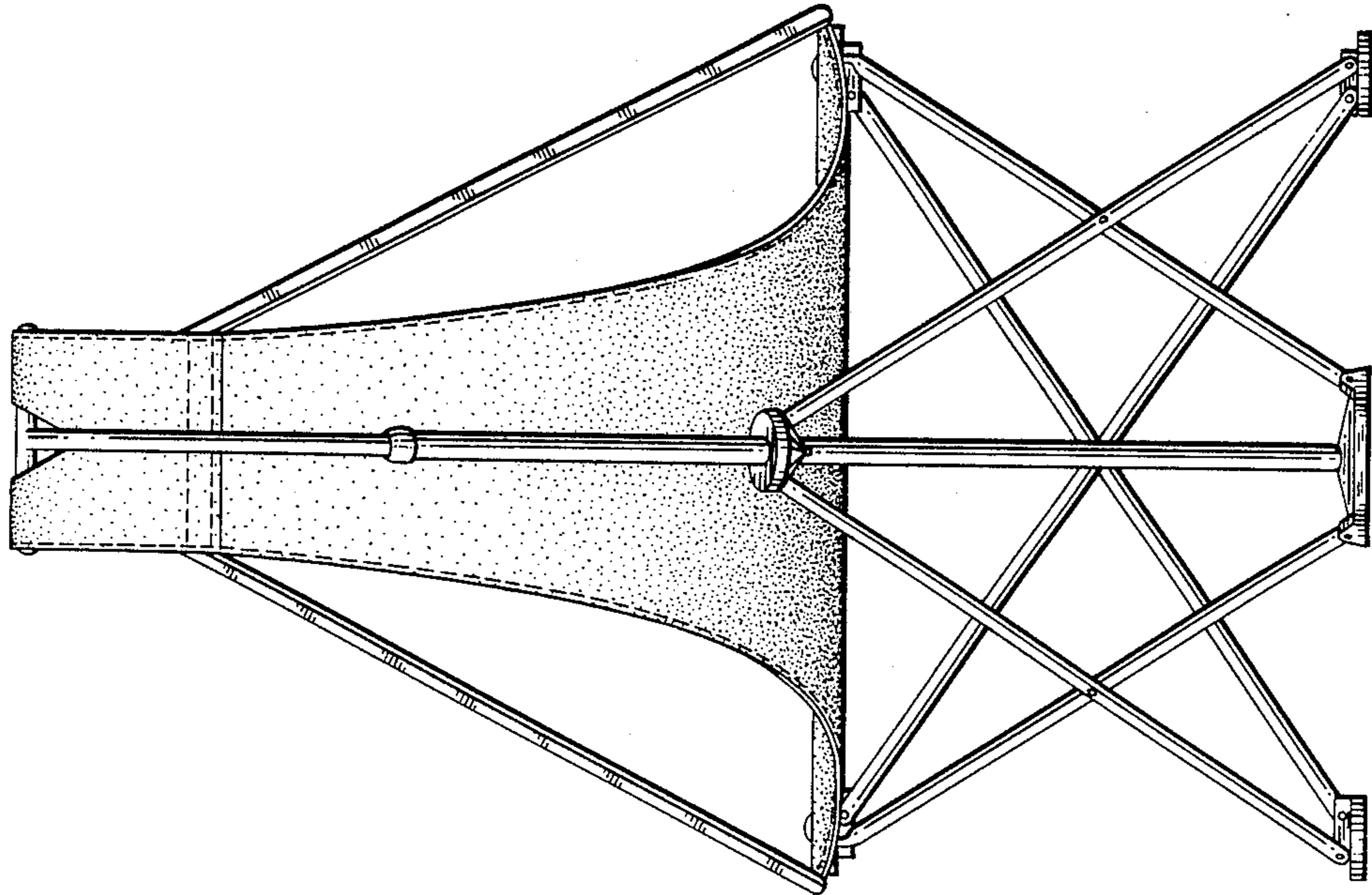


FIG. 4

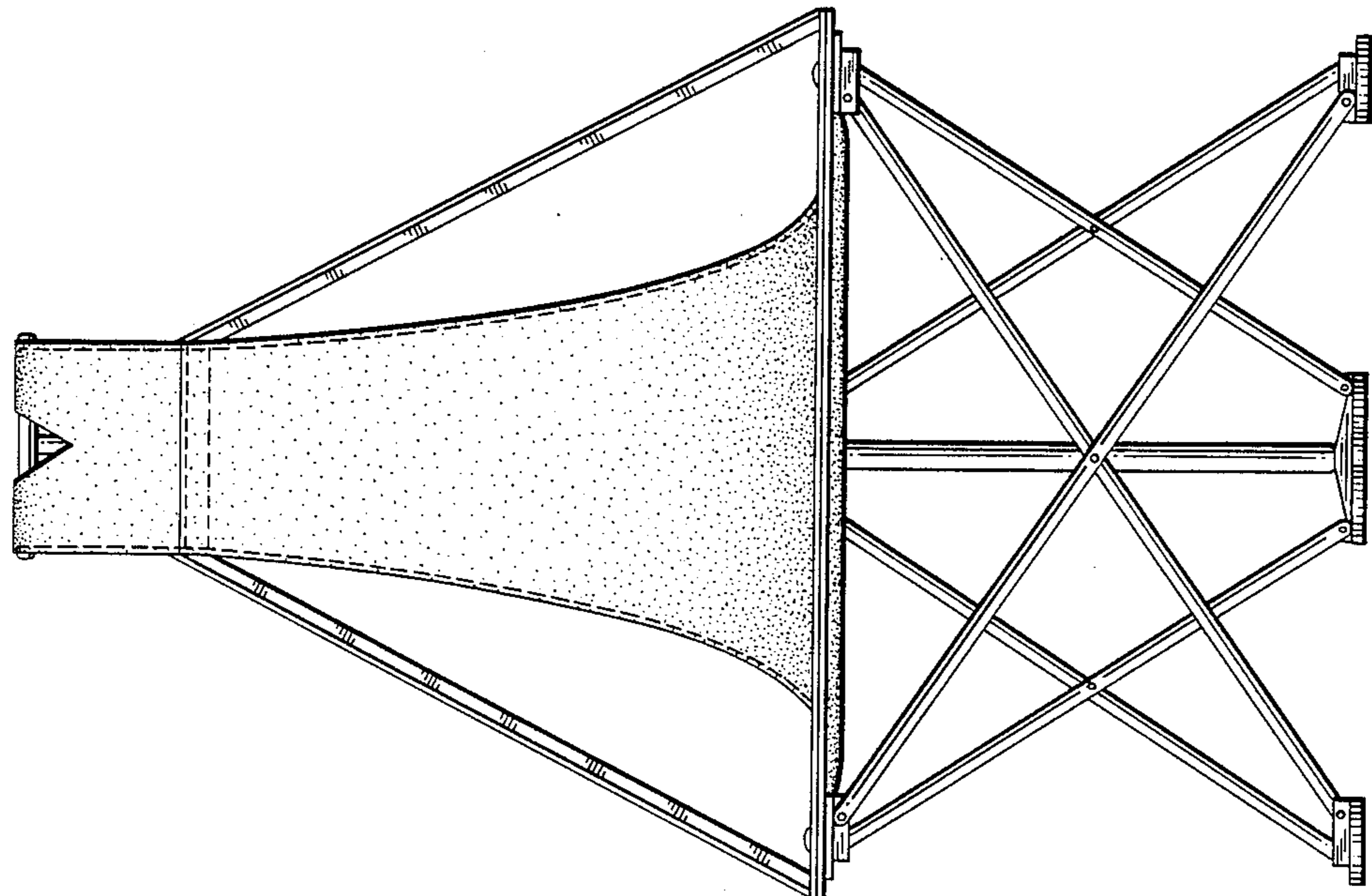


FIG. 3

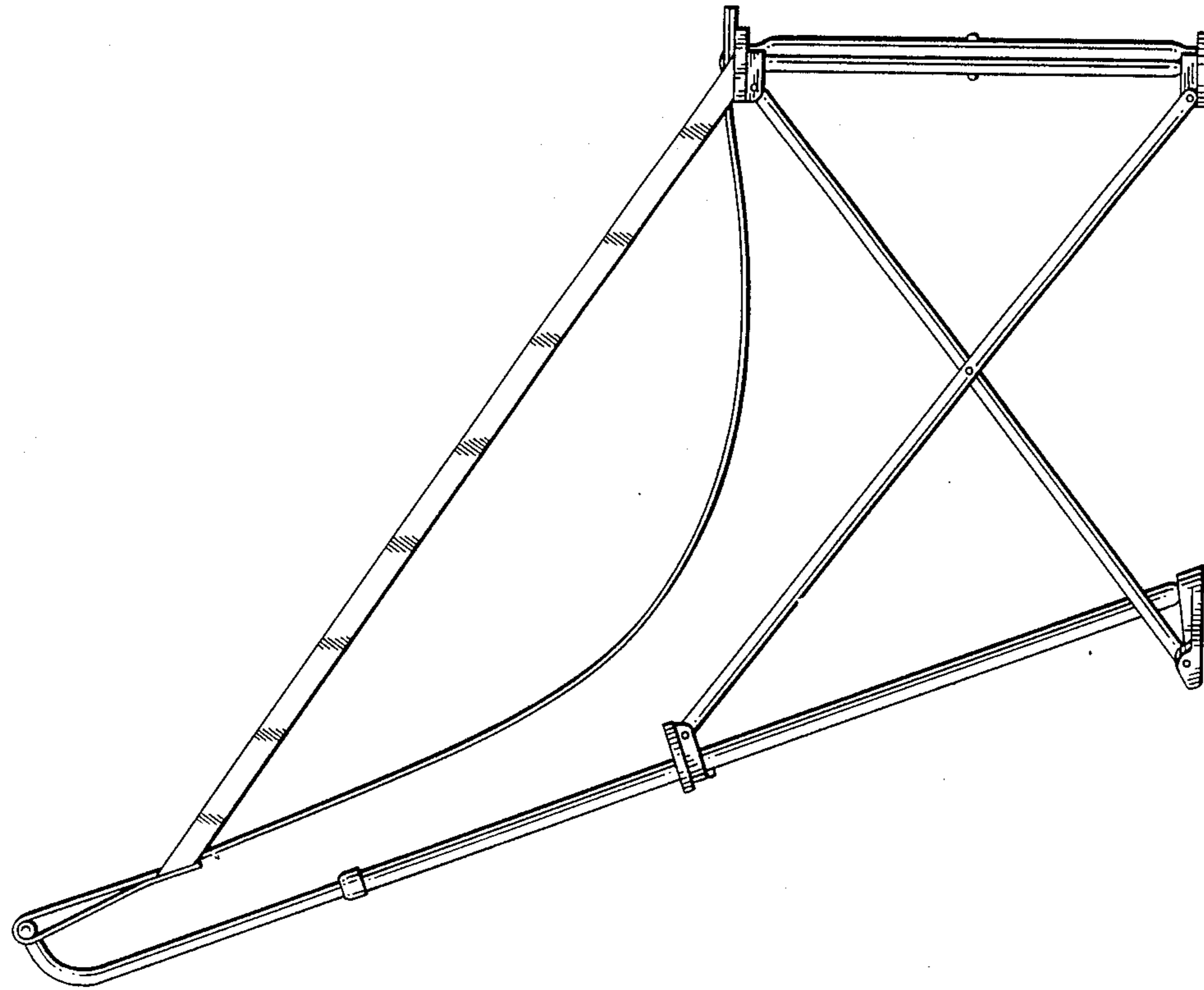


FIG. 5

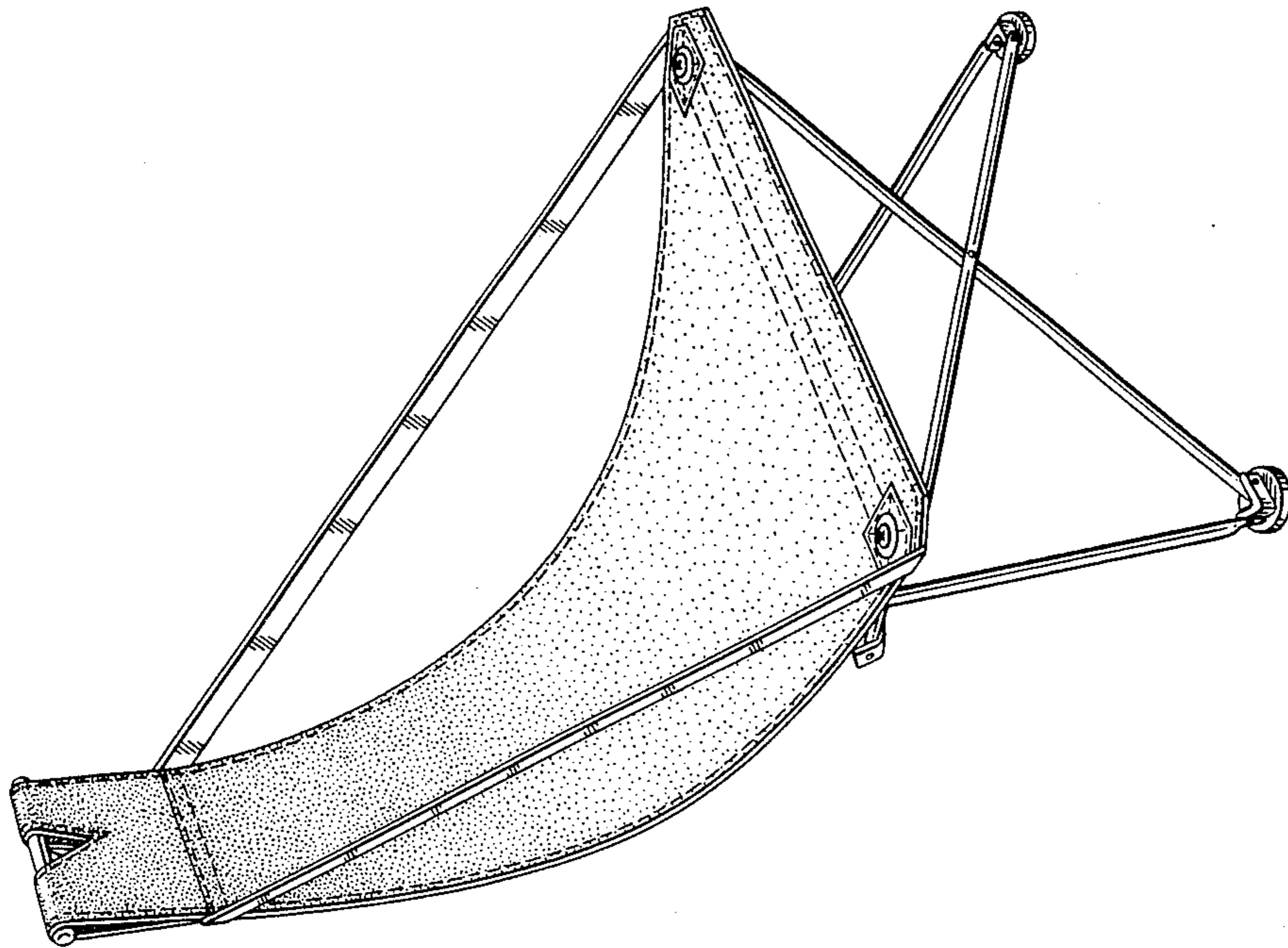


FIG. 6