

[54] **GLIDER**

[75] **Inventors: Charles Pomeroy; John T. Bycraft,**
both of South Bend, Ind.

[73] **Assignee: Jack-Post Corporation,** Buchanan,
Mich.

[**] **Term: 14 Years**

[21] **Appl. No.: 119,245**

[22] **Filed: Nov. 5, 1987**

Related U.S. Application Data

[63] Continuation of Ser. No. 766,765, Aug. 16, 1985.
[52] **U.S. Cl.** **D6/347**
[58] **Field of Search** **D6/347, 370, 381;**
297/280, 281, 282

[56] **References Cited**

U.S. PATENT DOCUMENTS

D. 259,308 5/1981 Sroub D6/347
3,078,101 2/1963 Reese D12/129 X

OTHER PUBLICATIONS

Jack-Post Corp., brochure, ©1984, Glider No. FRGL.
Jack-Post Corporation brochure, Glider Chair.

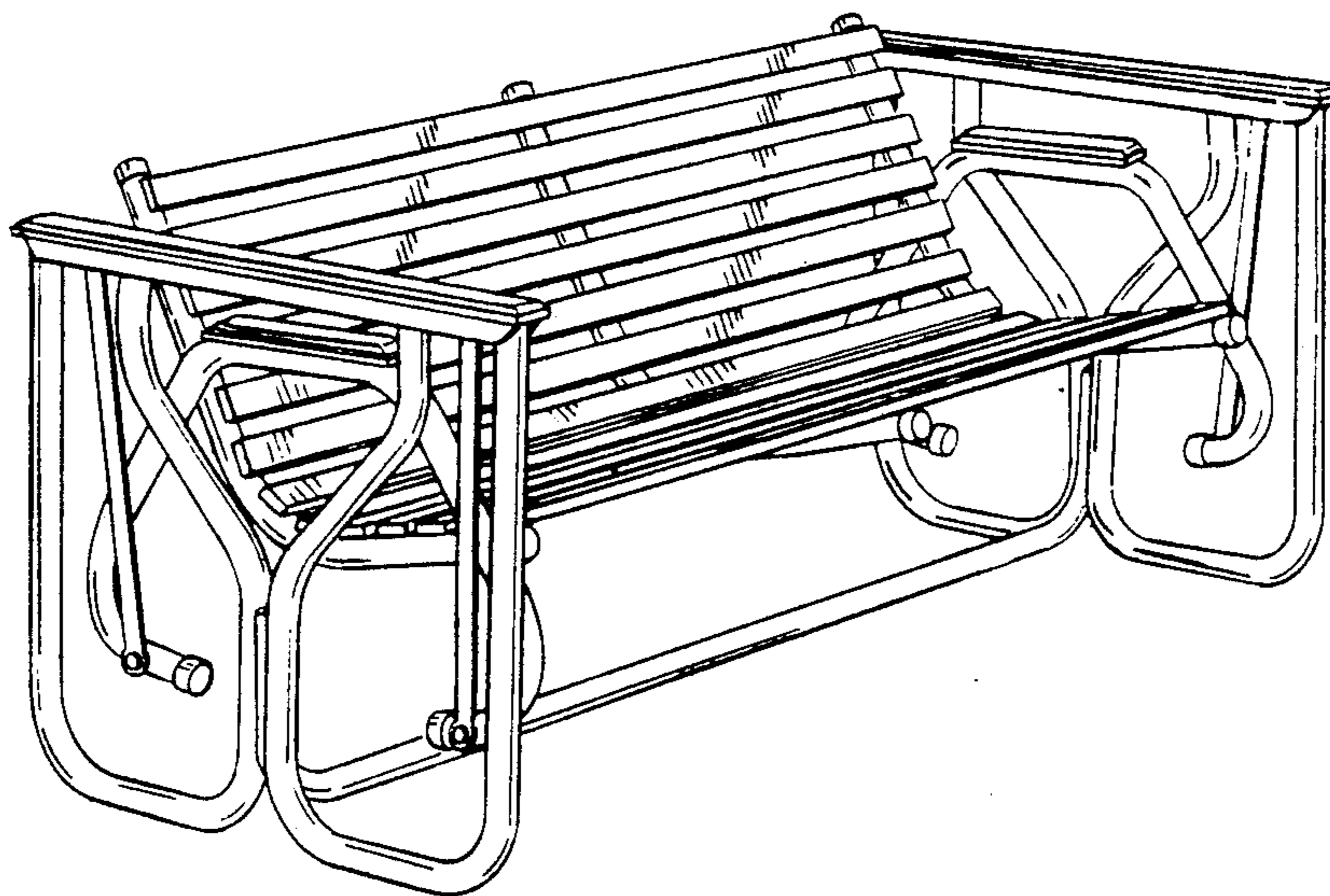
Primary Examiner—Bruce W. Dunkins
Assistant Examiner—Ann Hunt
Attorney, Agent, or Firm—Stephen G. Rudisill

[57] **CLAIM**

The ornamental design for glider, as shown and described.

DESCRIPTION

FIG. 1 is a front perspective view of the glider showing our new design;
FIG. 2 is an end elevational view;
FIG. 3 is a top plan view;
FIG. 4 is a front elevational view; and
FIG. 5 is a rear elevational view thereof.



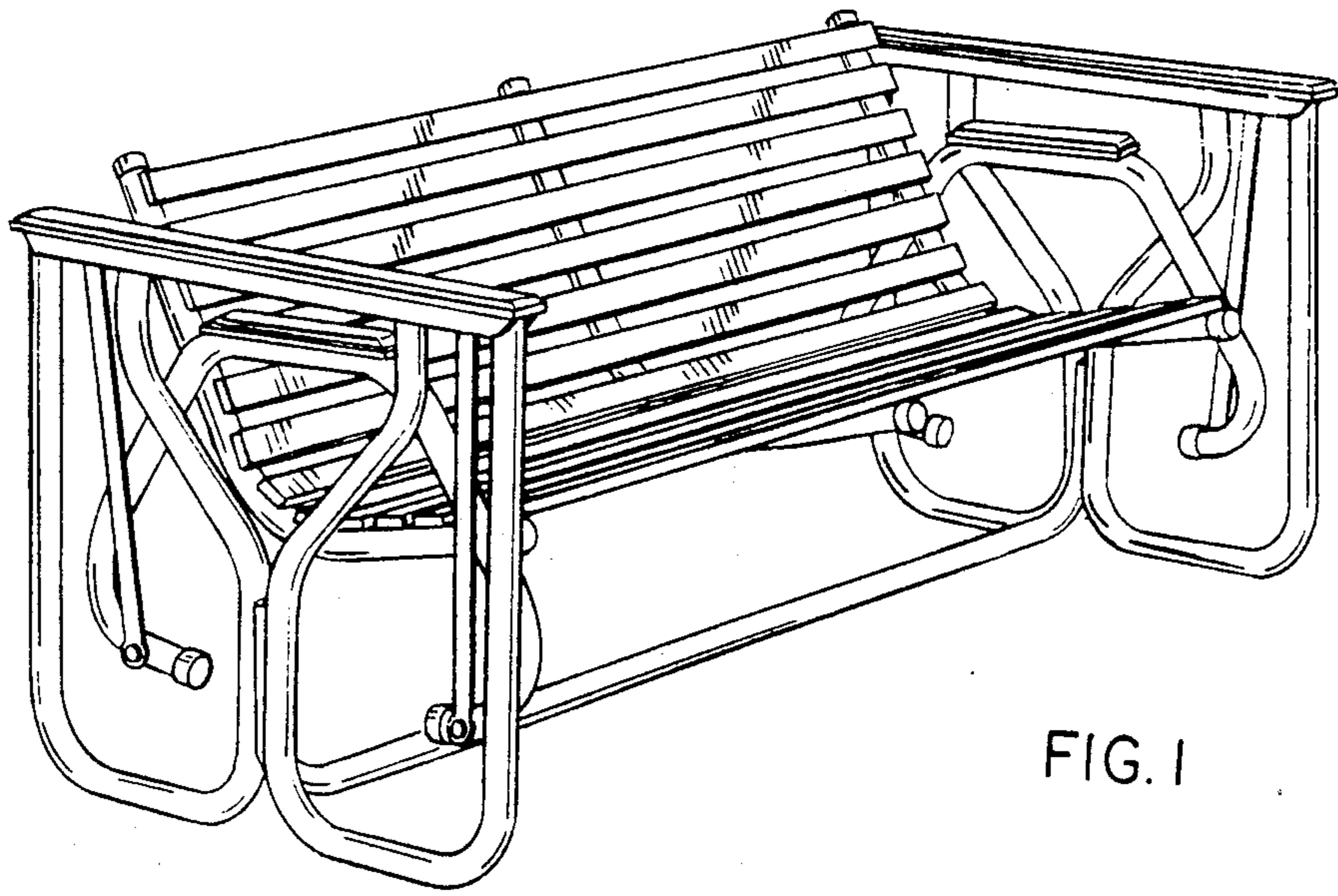


FIG. 1

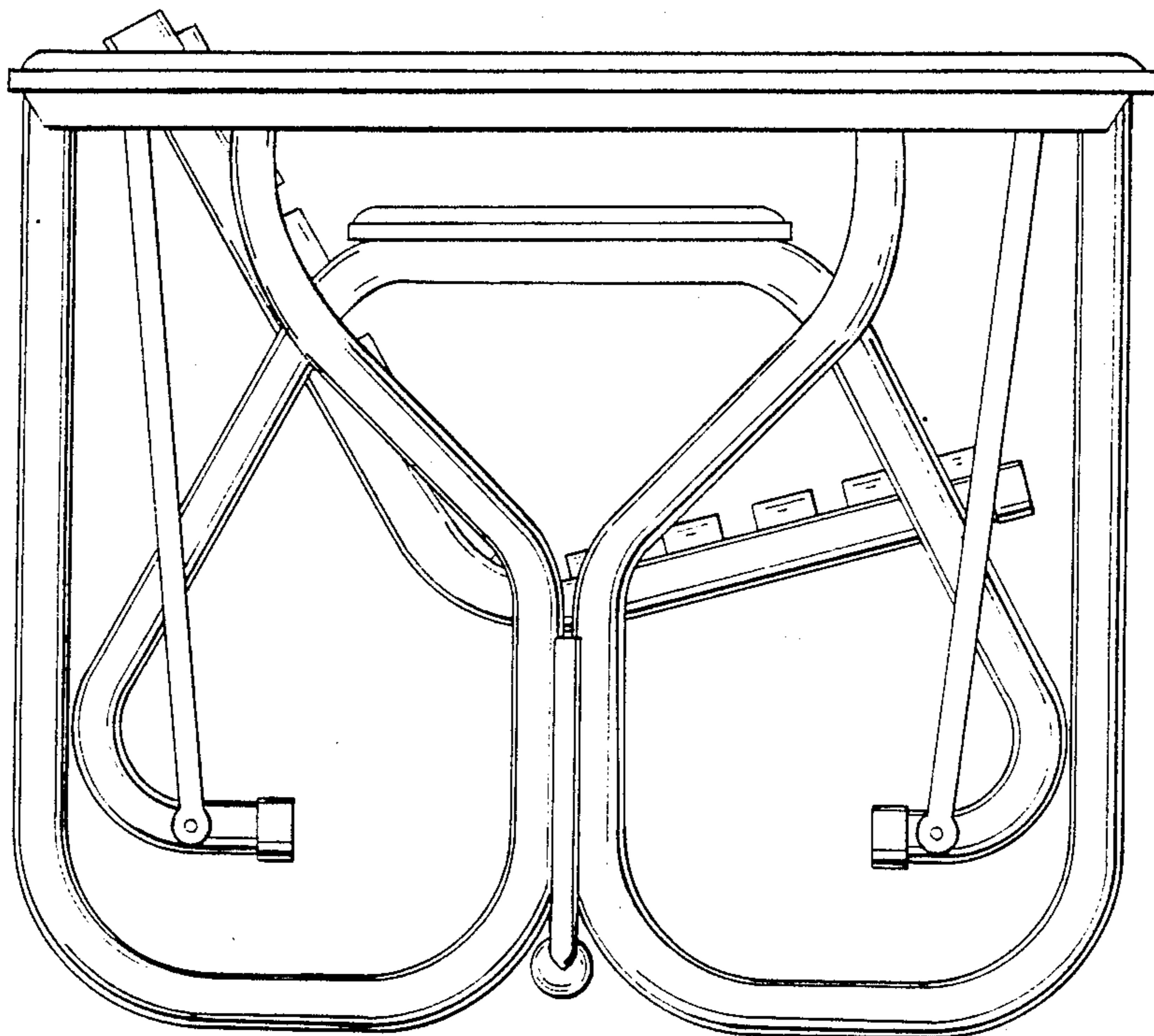


FIG. 2

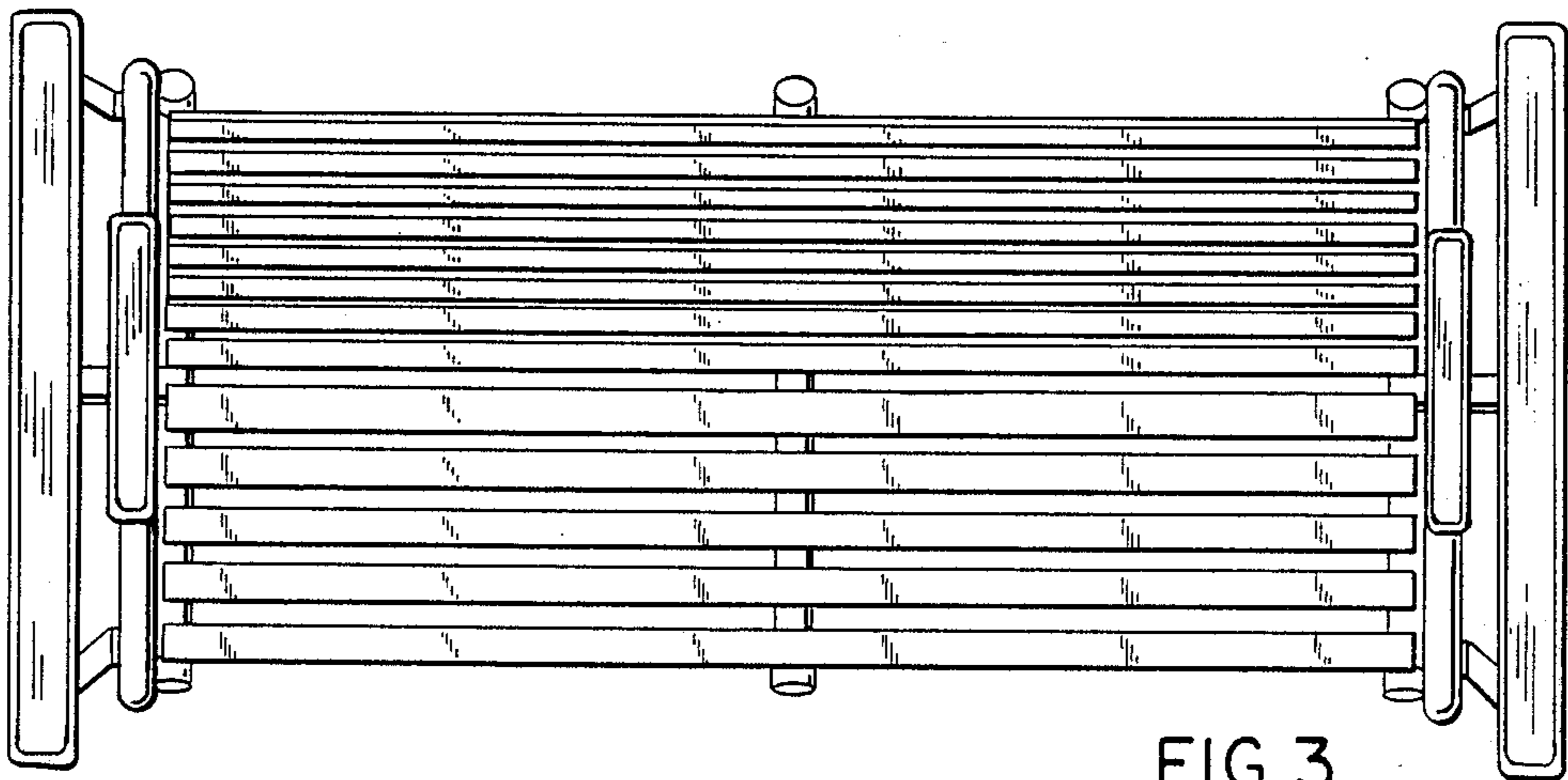


FIG. 3

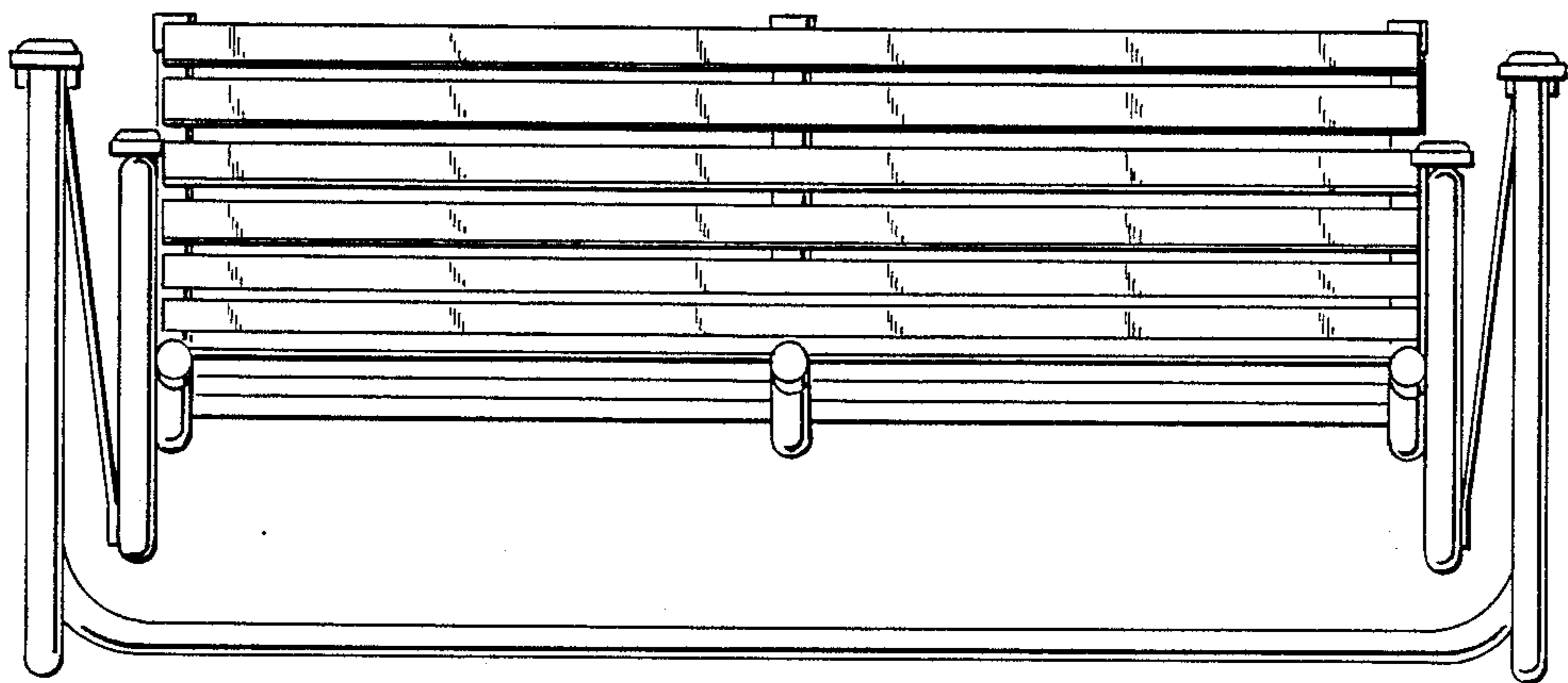


FIG. 4

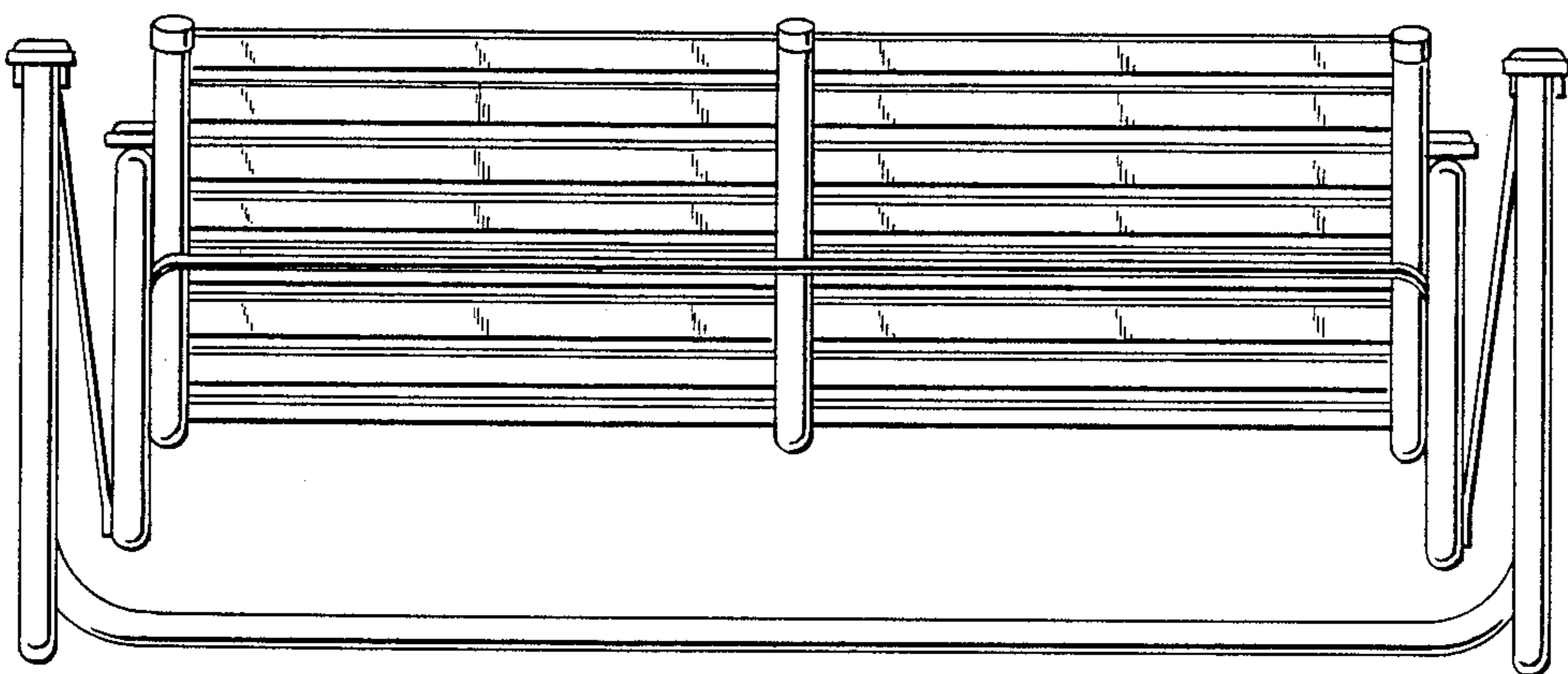


FIG. 5