

# United States Patent [19]

Keller

[11] Patent Number: **Des. 310,603**

[45] Date of Patent: **\*\* Sep. 18, 1990**

[54] **VANITY BENCH**

[75] Inventor: **H. Thomas Keller, High Point, N.C.**

[73] Assignee: **Rosalco, Inc., Louisville, Ky.**

[\*\*] Term: **14 Years**

[21] Appl. No.: **320,371**

[22] Filed: **Mar. 29, 1989**

### Related U.S. Application Data

[62] Division of Ser. No. 238,511, Aug. 31, 1988.

[52] U.S. Cl. .... **D6/349**

[58] Field of Search ..... **D6/349, 370, 374, 379,  
D6/380, 334; 211/182**

[56] **References Cited**

### U.S. PATENT DOCUMENTS

D. 49,154 7/1915 Martin ..... **D6/349 X**

D. 83,355 2/1931 Simms ..... **D6/349**

D. 91,029 11/1933 Guild ..... **D6/349**

D. 237,025 10/1975 Null ..... **D6/349**

### OTHER PUBLICATIONS

Thinline Catalog, Benchest #2075-3936.  
Furniture/Today, Jul. 11, 1988, 2nd from rt., p. 94.  
Best Catalog 1986/1987, p. 216.

*Primary Examiner*—Bruce W. Dunkins  
*Assistant Examiner*—Jeffrey Asch  
*Attorney, Agent, or Firm*—Rhodes, Coats & Bennett

[57] **CLAIM**

The ornamental design for vanity bench, as shown and described.

### DESCRIPTION

FIG. 1 is a top, front, and left side perspective view of a vanity bench showing my new design; FIG. 2 is a right side elevational view thereof; and FIG. 3 is a rear elevational view thereof.

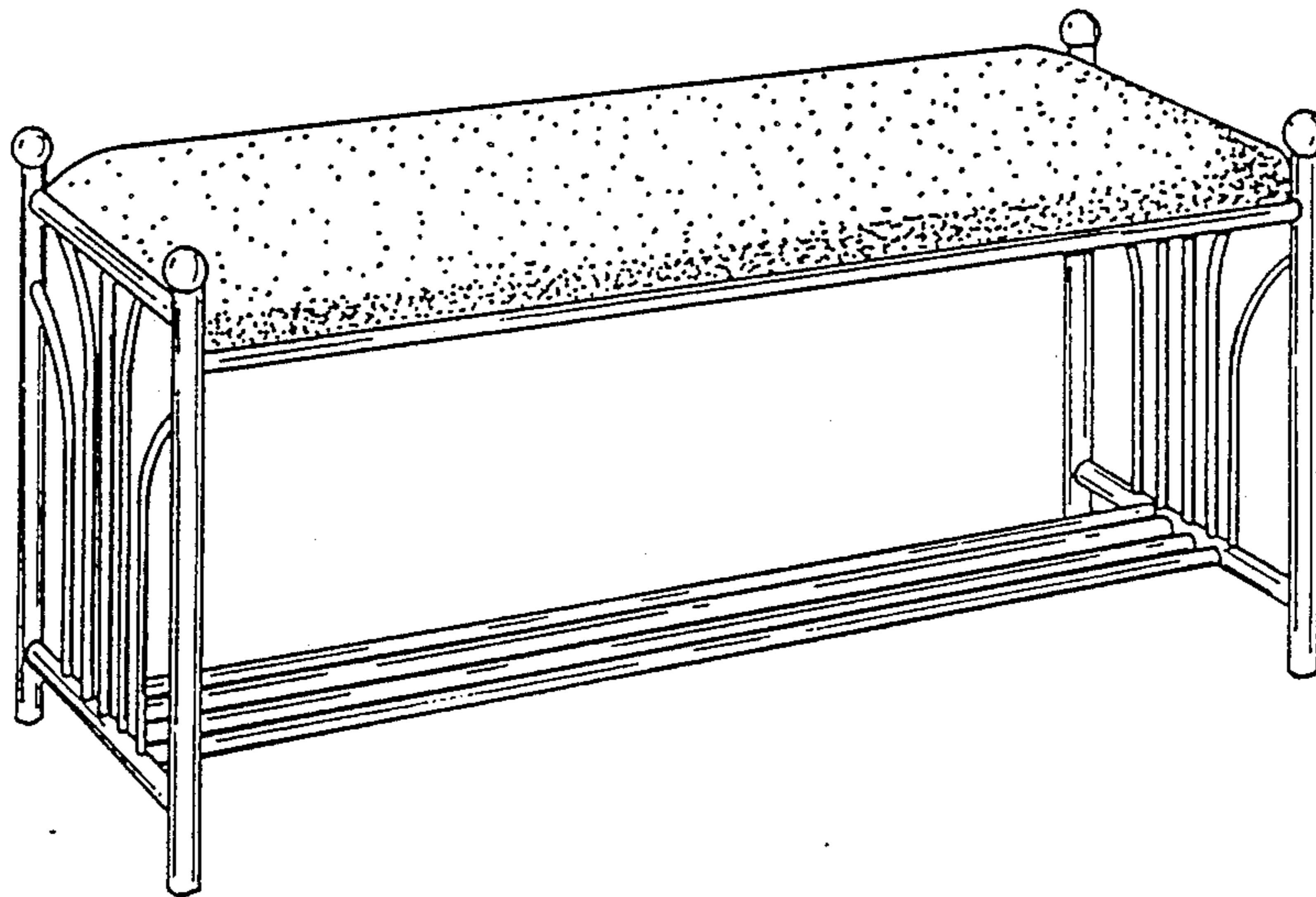


FIG. 1

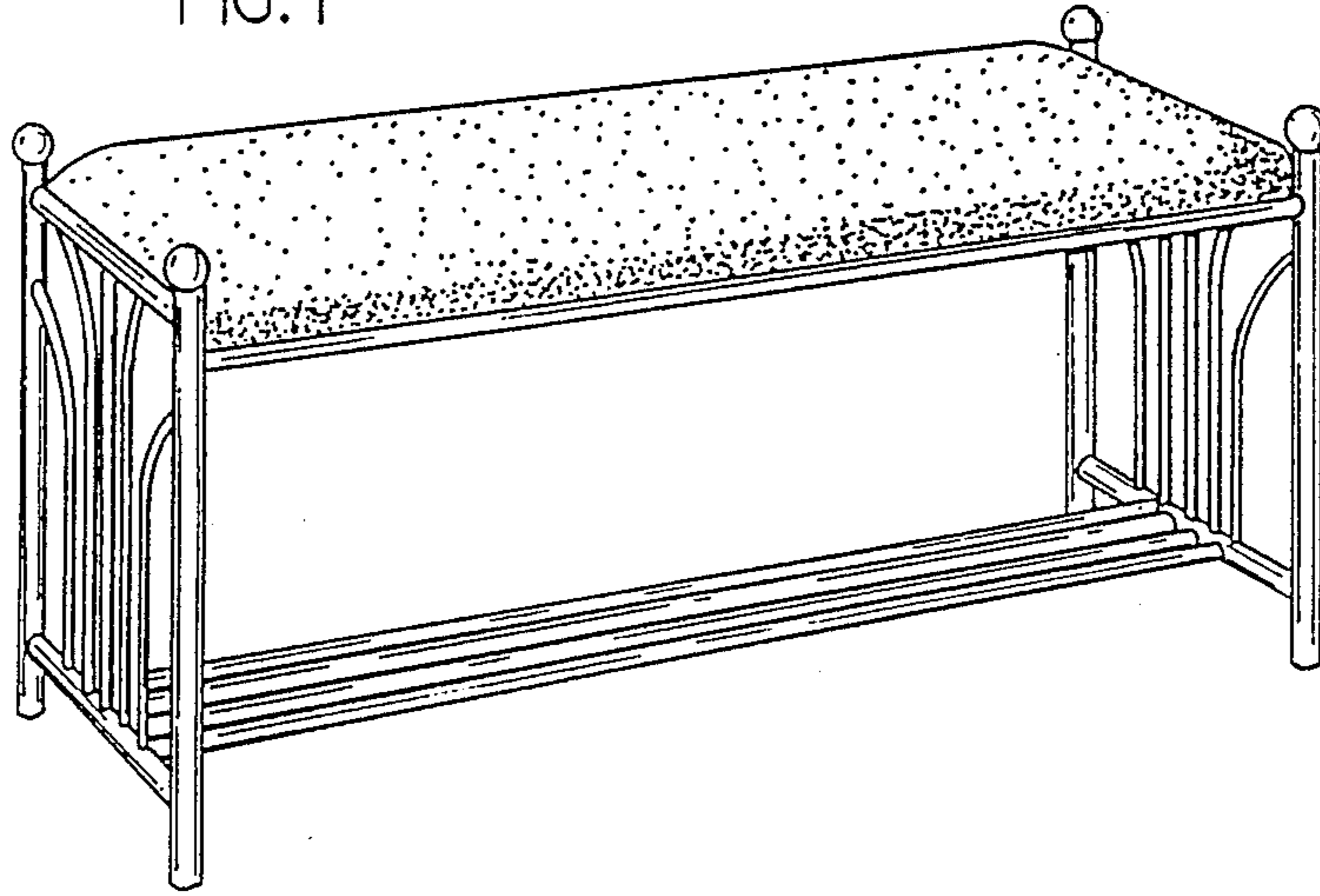


FIG. 2

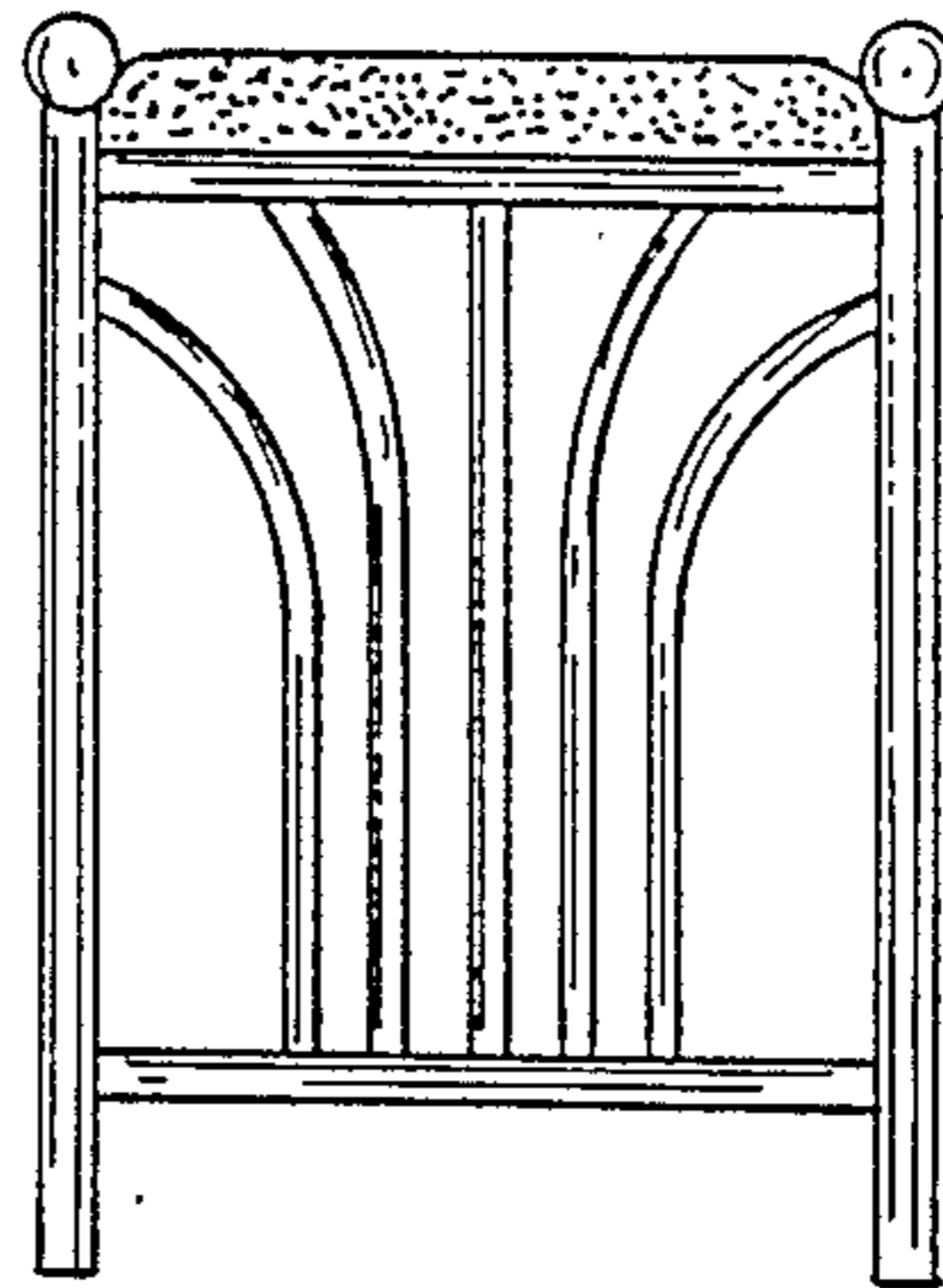


FIG. 3

