

[54] **VENTURI UNIT FOR A VACUUM LIFTER**

[76] **Inventor:** Karl E. Johansson, Nykyrkevägen  
52, S-565 00 Mullsjö, Sweden

[\*\*] **Term:** 14 Years

[21] **Appl. No.:** 103,567

[22] **Filed:** Oct. 1, 1987

[30] **Foreign Application Priority Data**

Apr. 1, 1987 [SE] Sweden ..... 87-0741

[52] **U.S. Cl.** ..... **D34/28**

[58] **Field of Search** ..... D34/28, 35; D23/233,  
D23/235; 294/64.1, 64.2, 64.3, 65

[56] **References Cited**

**U.S. PATENT DOCUMENTS**

3,497,254 2/1970 Lutolf et al. .... 294/64.1  
4,685,714 8/1987 Hoke ..... 294/65

**OTHER PUBLICATIONS**

Anver Corp. brochure, p. 41, Single AL1001 Air-Lift  
Generator (bottom).

*Primary Examiner*—Wallace R. Burke

*Assistant Examiner*—Kay H. Chin

*Attorney, Agent, or Firm*—Sughrue, Mion, Zinn,  
Macpeak & Seas

[57] **CLAIM**

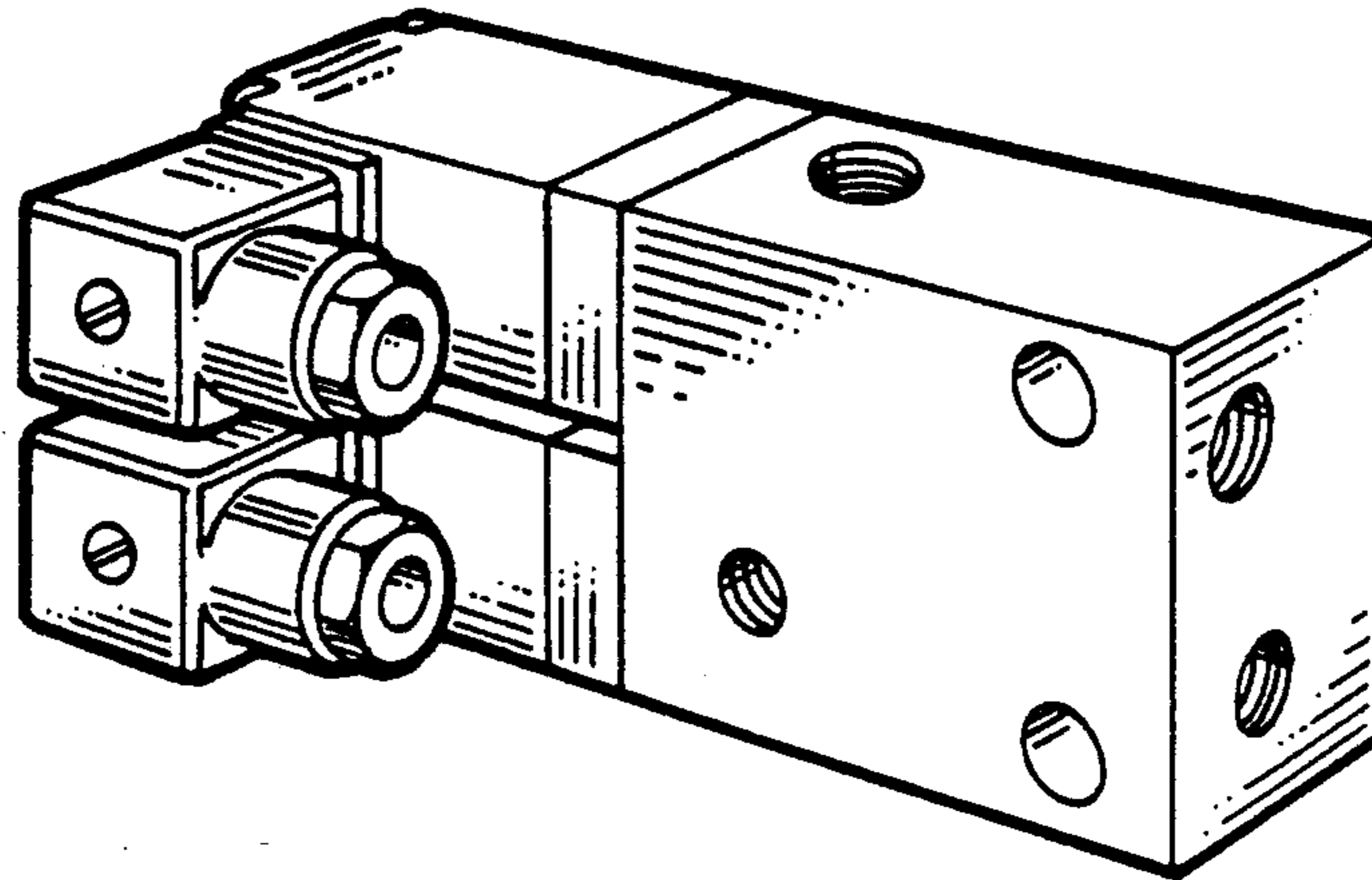
The ornamental design for a venturi unit for a vacuum  
lifter, as shown and described.

**DESCRIPTION**

FIG. 1 is a front perspective view of a venturi unit for  
a vacuum lifter showing my new design;

FIG. 2 is a rear perspective view thereof.

The undisclosed bottom view is the same as the top  
view as shown in FIGS. 1 and 2.



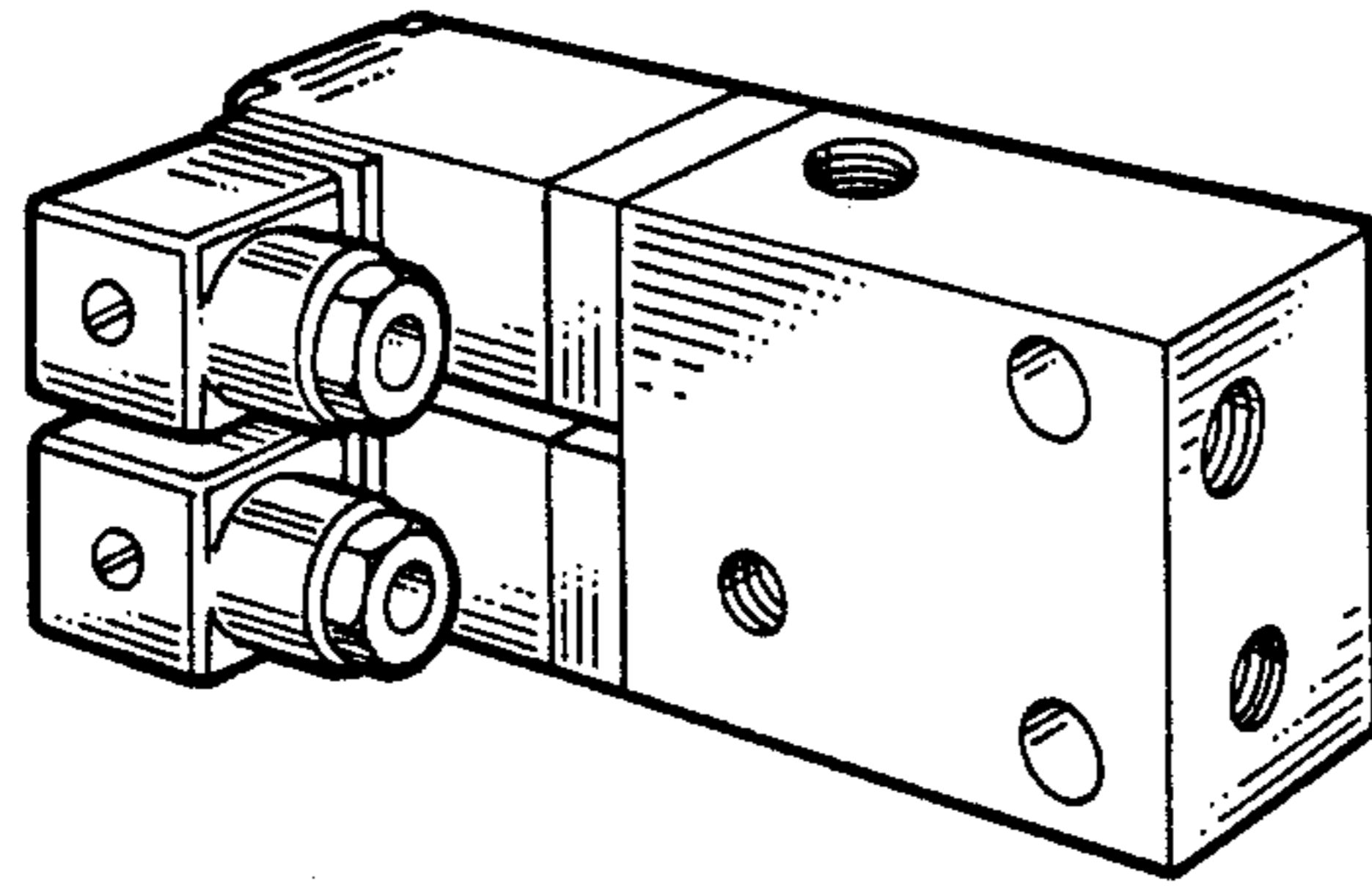


FIG. 1

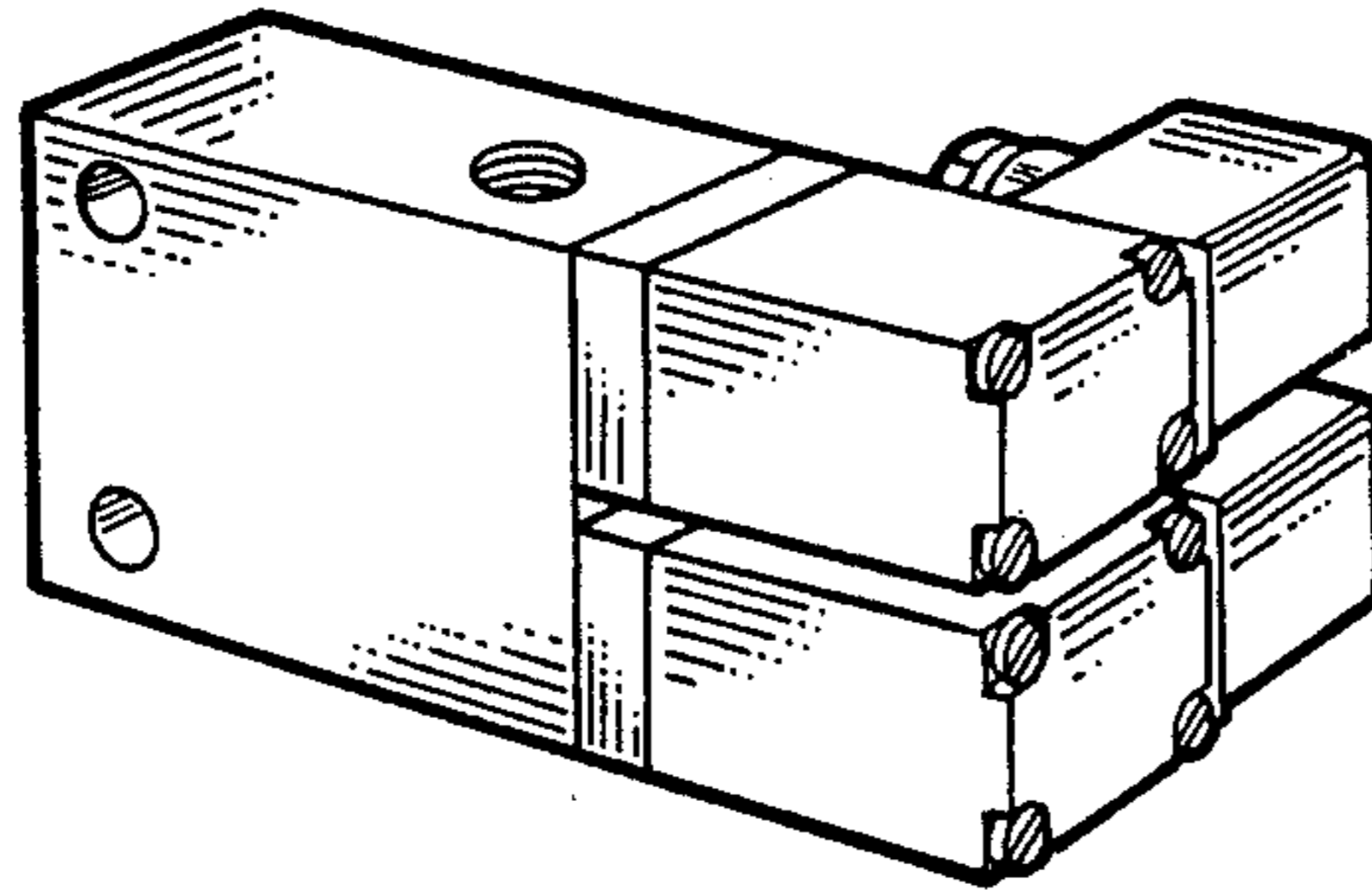


Fig. 2