

# United States Patent [19]

Lamarche

[11] Patent Number: **Des. 310,593**

[45] Date of Patent: **\*\* Sep. 11, 1990**

[54] **CARRIER RACK FOR HOUSING A COOLER WHEN ATTACHED TO A GOLF CART**

[76] Inventor: **Joseph R. Lamarche, 562 Kintail Street, Sarnia, Ontario, Canada, N7T 1Z1**

[\*\*] Term: **14 Years**

[21] Appl. No.: **972**

[22] Filed: **Jan. 5, 1987**

[30] **Foreign Application Priority Data**

Jul. 4, 1986 [CA] Canada ..... 04-07-86-6

[52] U.S. Cl. .... **D34/27; D6/566**

[58] Field of Search ..... **D6/566, 573, 572, 574; D34/12, 15, 27; 248/214, 97, 98, 99, 315, 312.1, 311.2; 211/181, 182**

[56] **References Cited**

**U.S. PATENT DOCUMENTS**

D. 251,579 4/1979 Calgaro ..... D6/566

D. 286,009 10/1986 Nadav ..... D6/572 X  
D. 303,030 8/1989 Goldston ..... D34/12 X  
779,124 1/1905 Haffey ..... 248/99  
3,603,542 9/1971 Grille ..... 248/98  
4,179,132 12/1979 Rich ..... 248/98 X  
4,290,529 9/1981 Jones et al. .... 248/311.2 X

*Primary Examiner*—Bruce W. Dunkins

*Assistant Examiner*—Jeffrey Asch

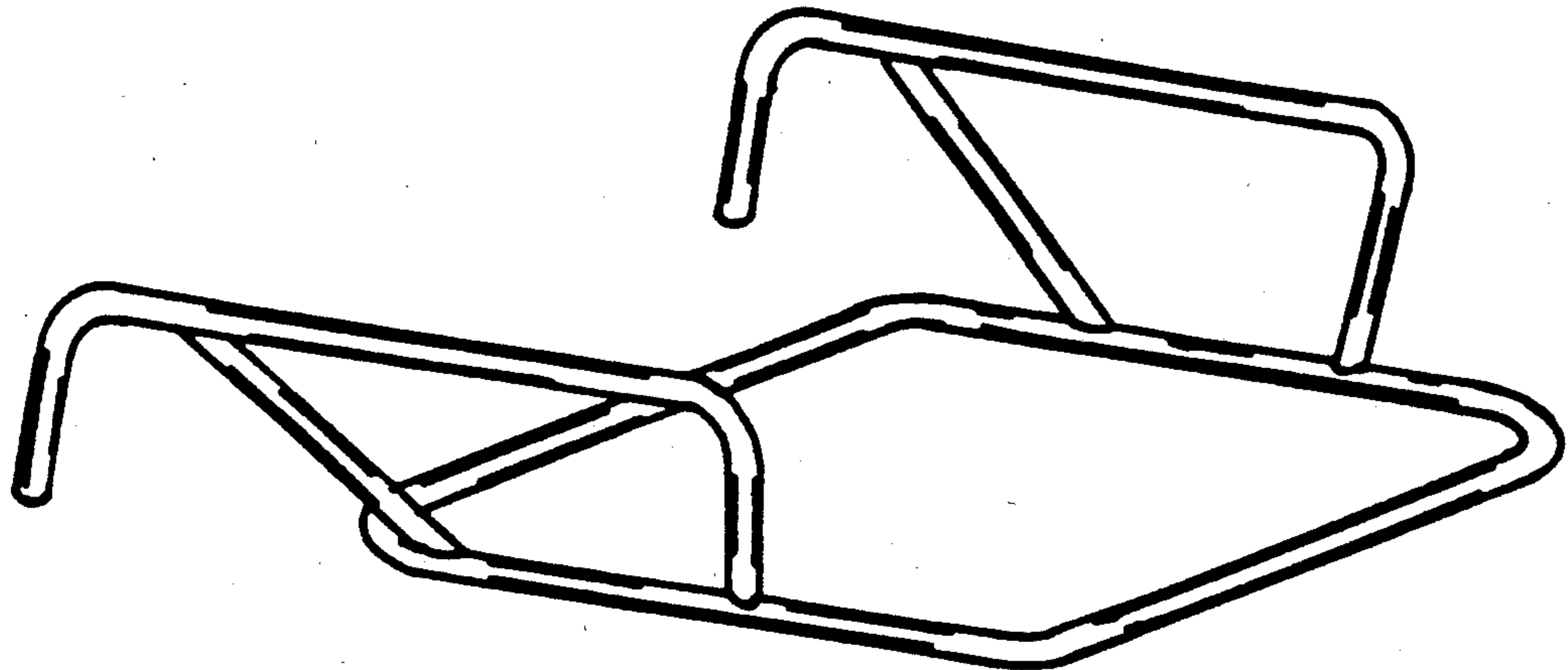
*Attorney, Agent, or Firm*—Mitches & Co.

[57] **CLAIM**

The ornamental design for a carrier rack for housing a cooler when attached to a golf cart, as shown and described.

**DESCRIPTION**

FIG. 1 is a top, front and left side perspective view of a carrier rack for housing a cooler when attached to a golf cart showing my new design; FIG. 2 is a front elevational view thereof; FIG. 3 is a top plan view thereof; and FIG. 4 is a left side elevational view, the right side being a mirror image thereof.



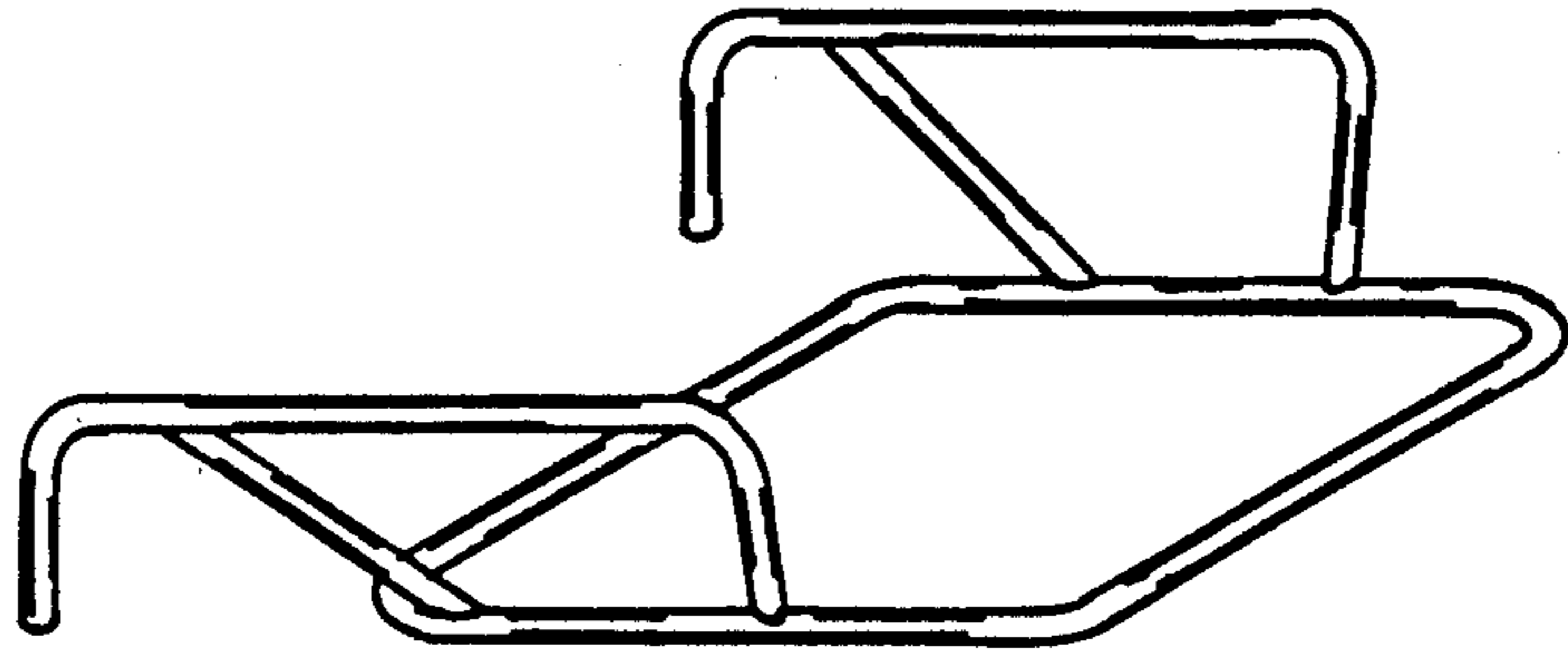


FIG. 1

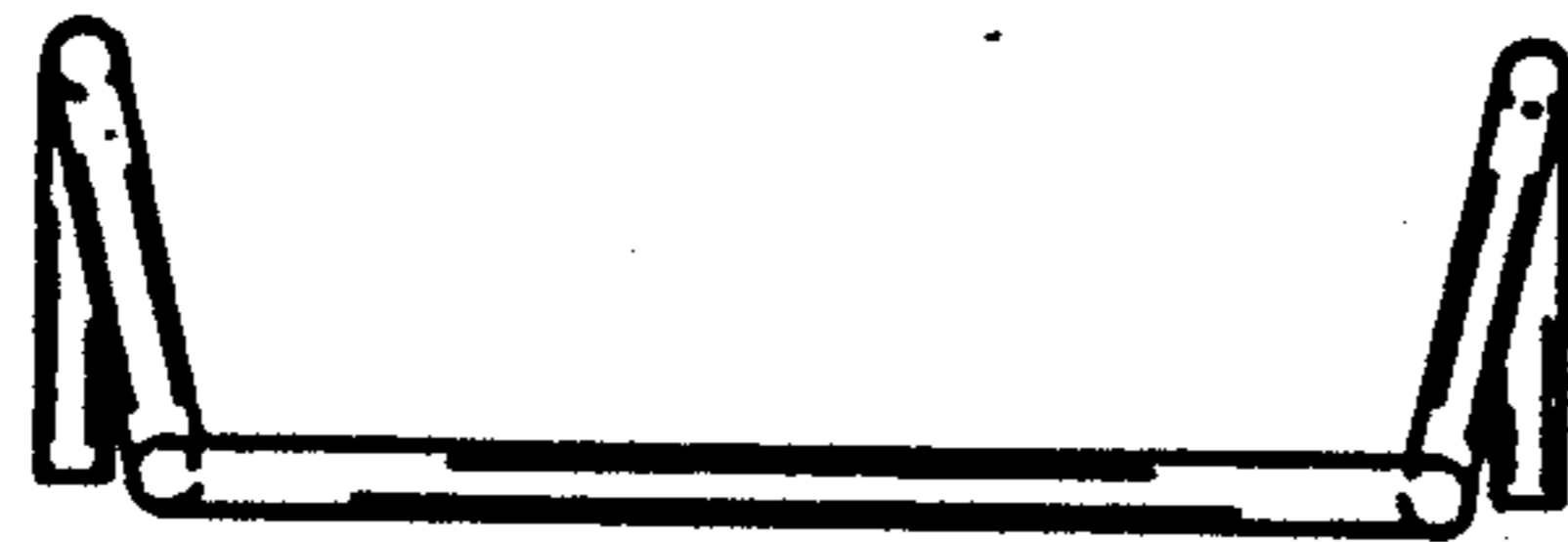


FIG. 2

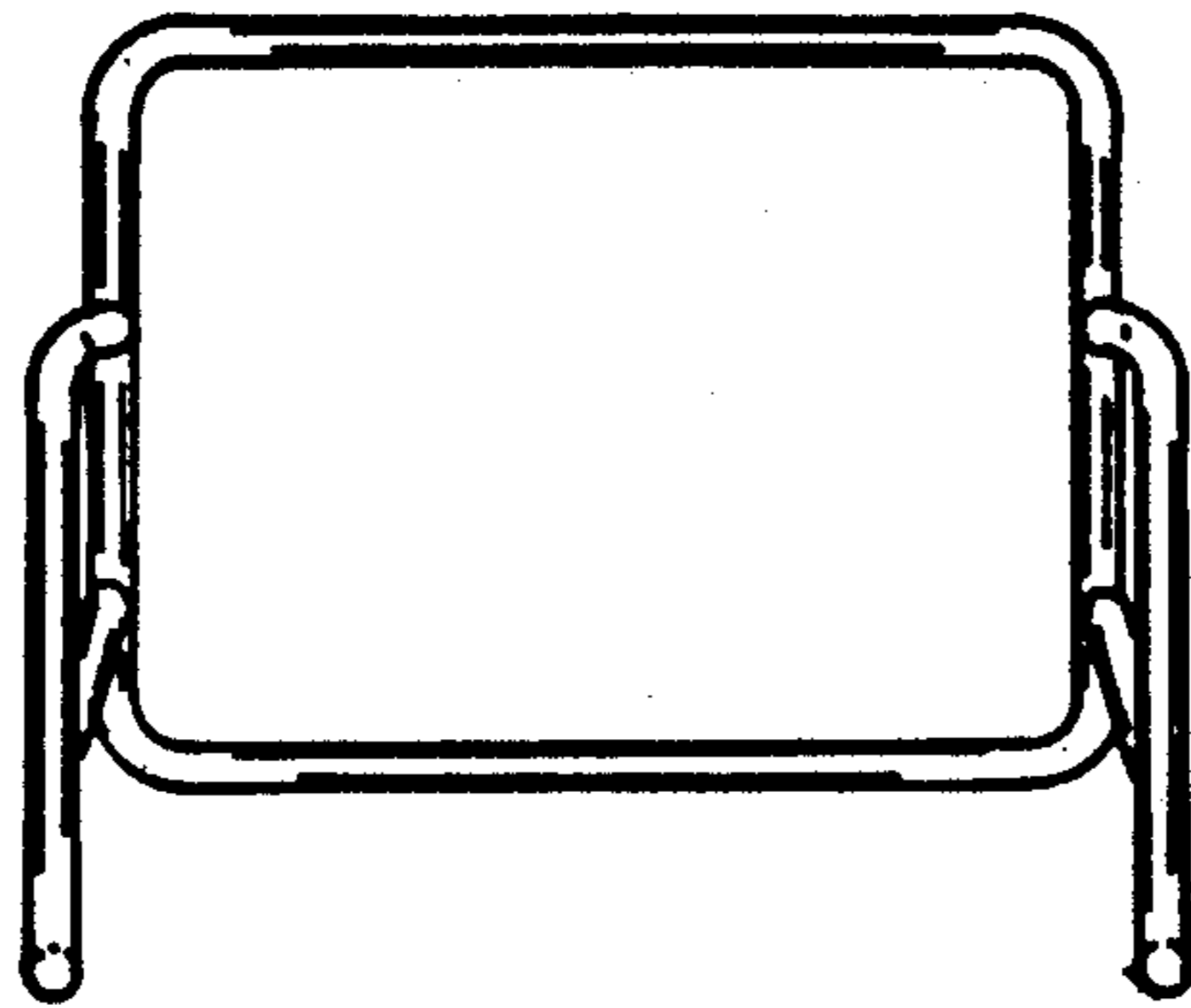


FIG. 3

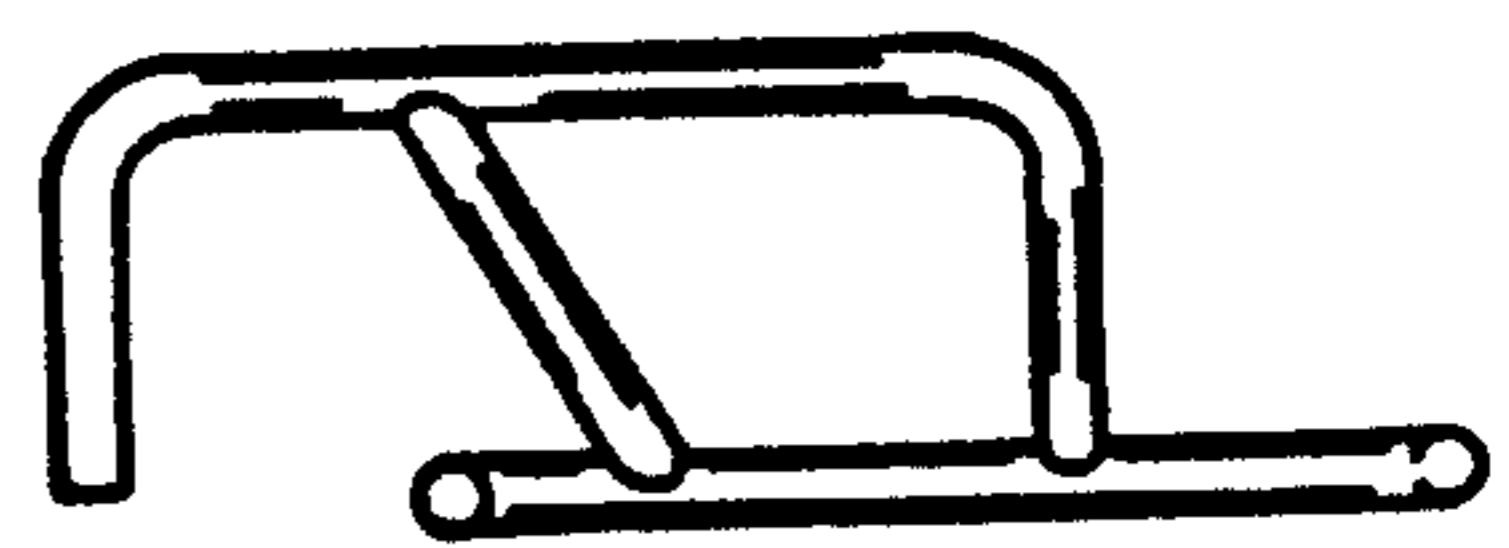


FIG. 4