

[54] IRON

[56] References Cited

[75] Inventor: Michael N. Komar, Shropshire, England

U.S. PATENT DOCUMENTS

- D. 214,753 7/1969 Schellens ..... D32/70
- D. 240,997 8/1976 Julenbeck ..... D32/70
- D. 247,090 1/1978 Hanson et al. .... D32/70
- D. 291,616 8/1987 Hennuy ..... D32/70

[73] Assignee: Russell Hobbs Tower Ltd., Wombourne, United Kingdom

Primary Examiner—Wallace R. Burke  
Assistant Examiner—Lavone D. Tabor  
Attorney, Agent, or Firm—Reed Smith Shaw & McClay

[\*\*] Term: 14 Years

[57] CLAIM

[21] Appl. No.: 229,104

The ornamental design for an iron, as shown and described.

[22] Filed: Aug. 5, 1988

DESCRIPTION

[30] Foreign Application Priority Data

- Feb. 5, 1988 [GB] United Kingdom ..... 1048308
- [52] U.S. Cl. .... D32/70
- [58] Field of Search ..... 32/68-73;  
38/69, 74-75, 7.1-77.8, 77.81, 77.82, 77.83,  
77.9, 85, 88, 90, 79, 82; 219/245-247

FIG. 1 is a perspective view of an iron showing my new design;  
FIG. 2 is a side elevational view thereof;  
FIG. 3 is a top plan view thereof;  
FIG. 4 is a bottom plan view thereof;  
FIG. 5 is a rear elevational view thereof;  
FIG. 6 is a front elevational view thereof; and  
FIG. 7 is an elevational view of the side opposite that shown in FIG. 2.

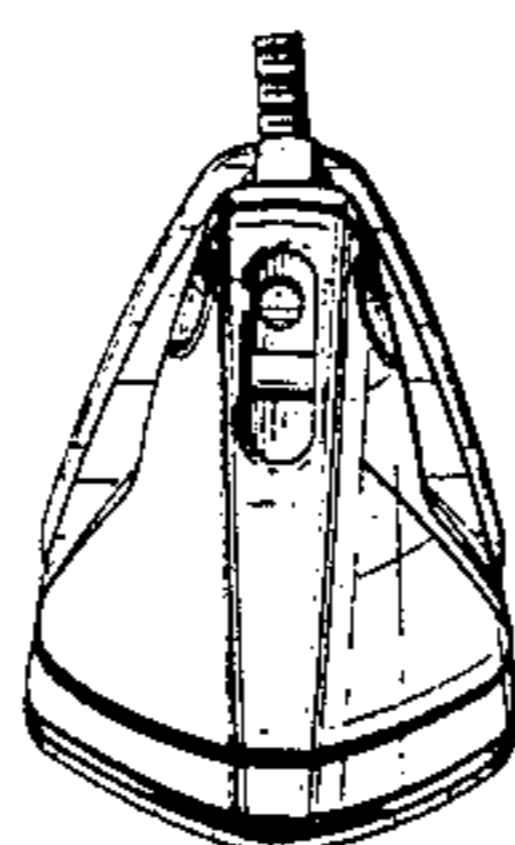
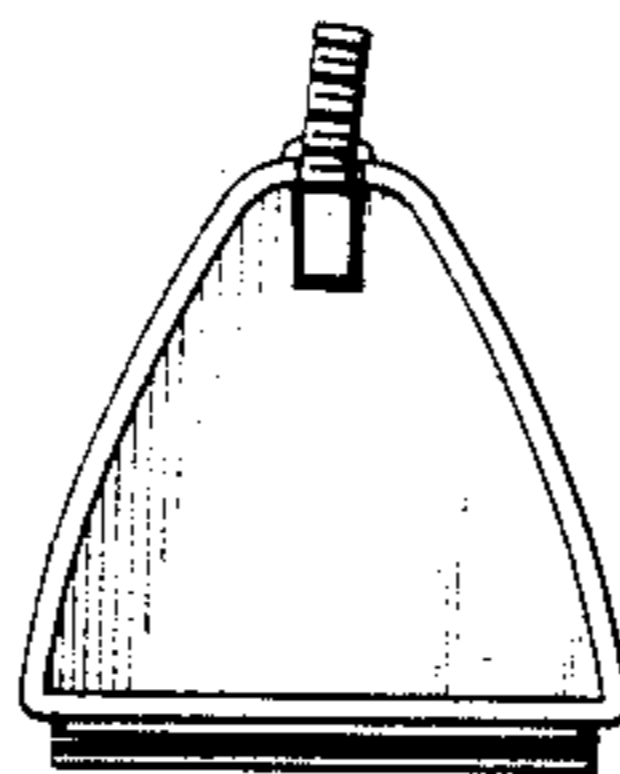
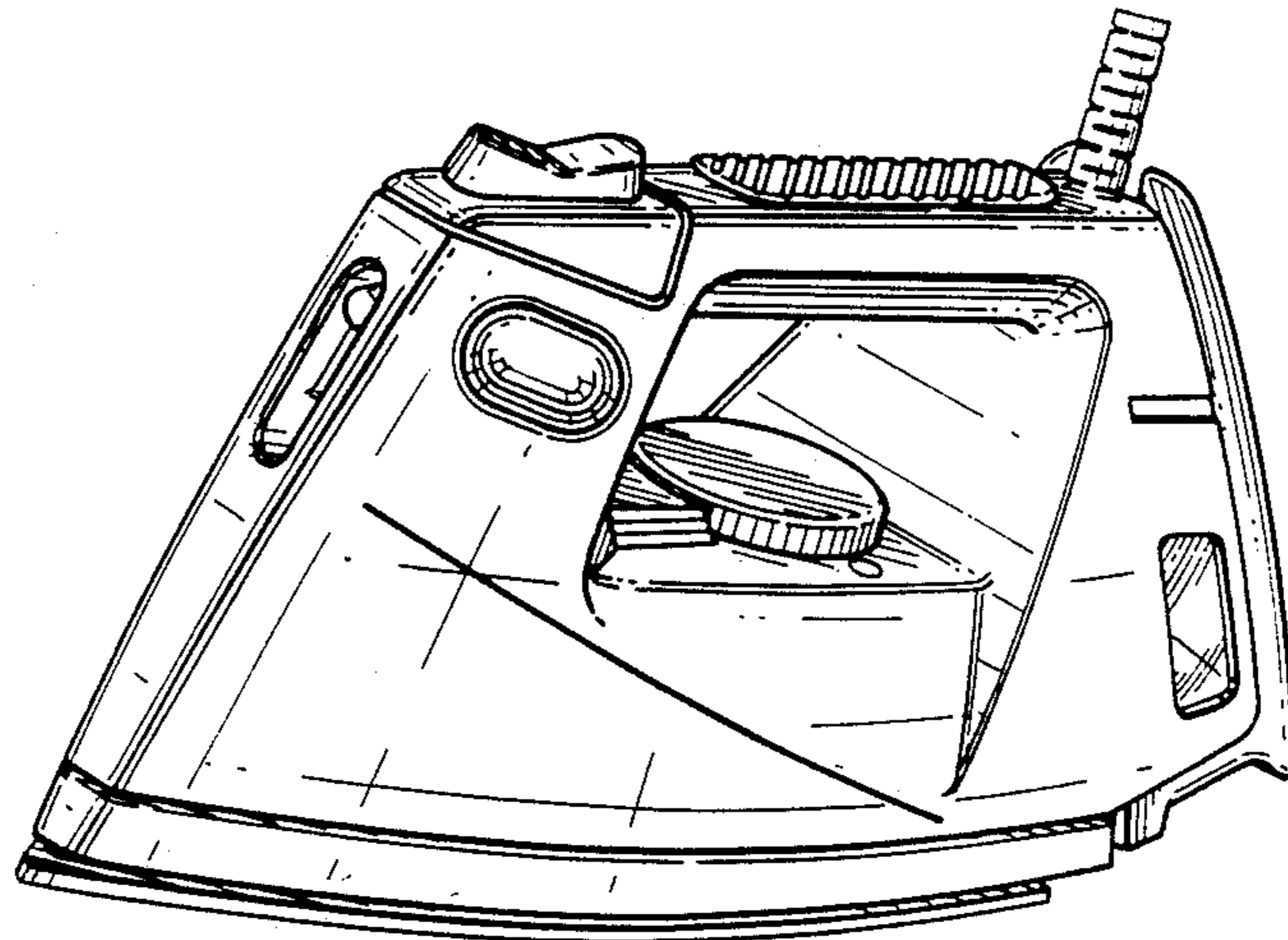


FIG. 1

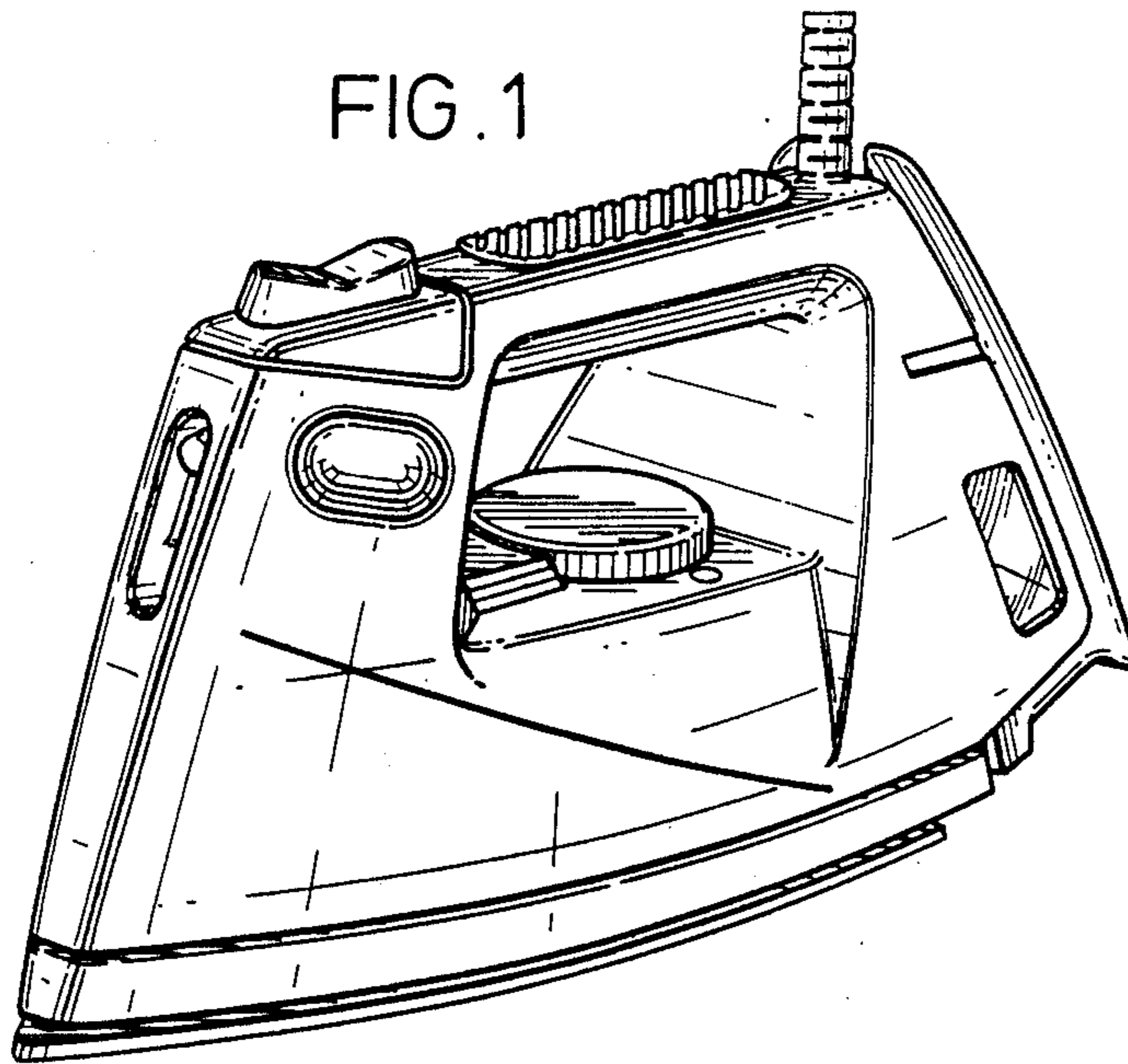


FIG. 2

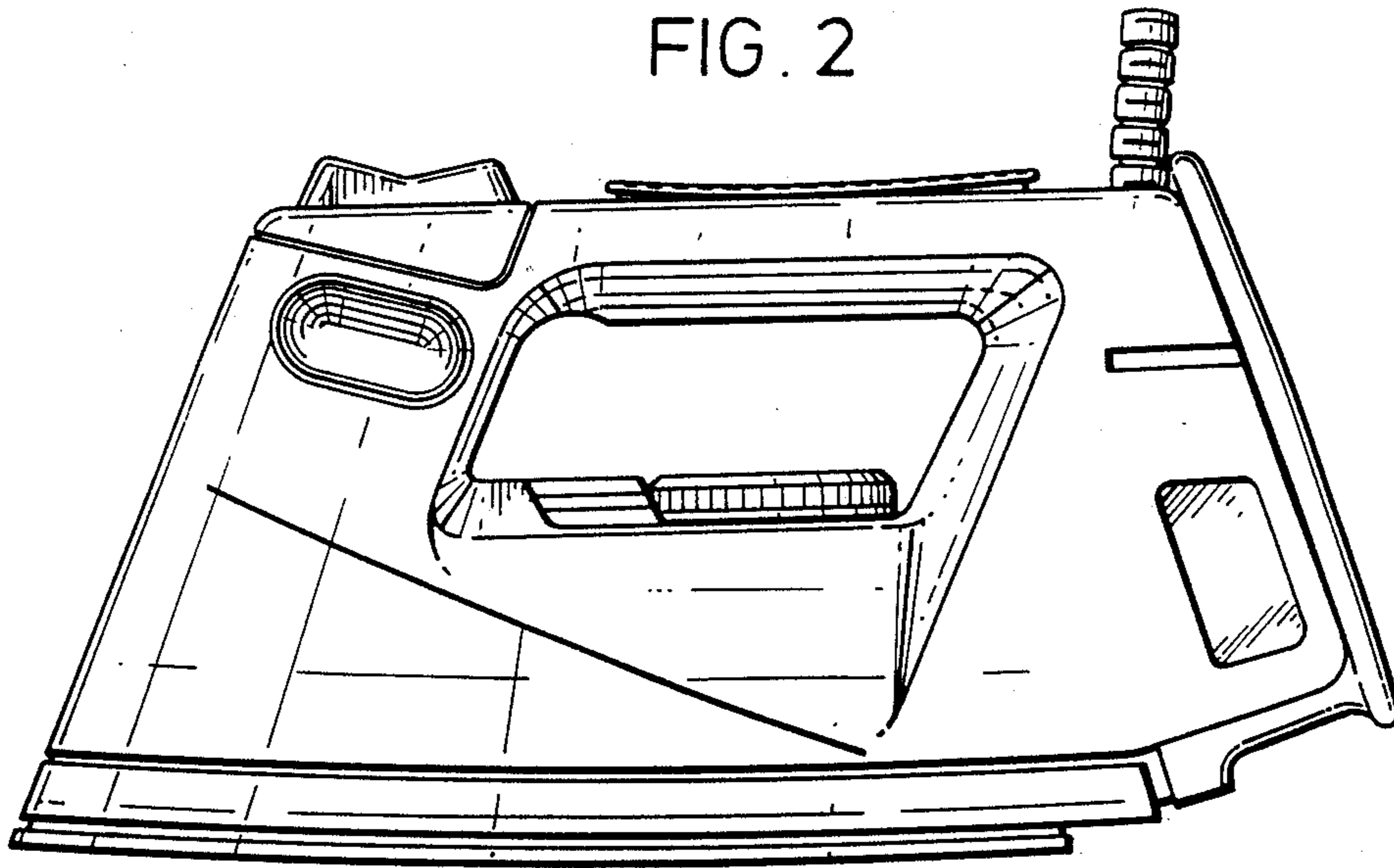


FIG. 3

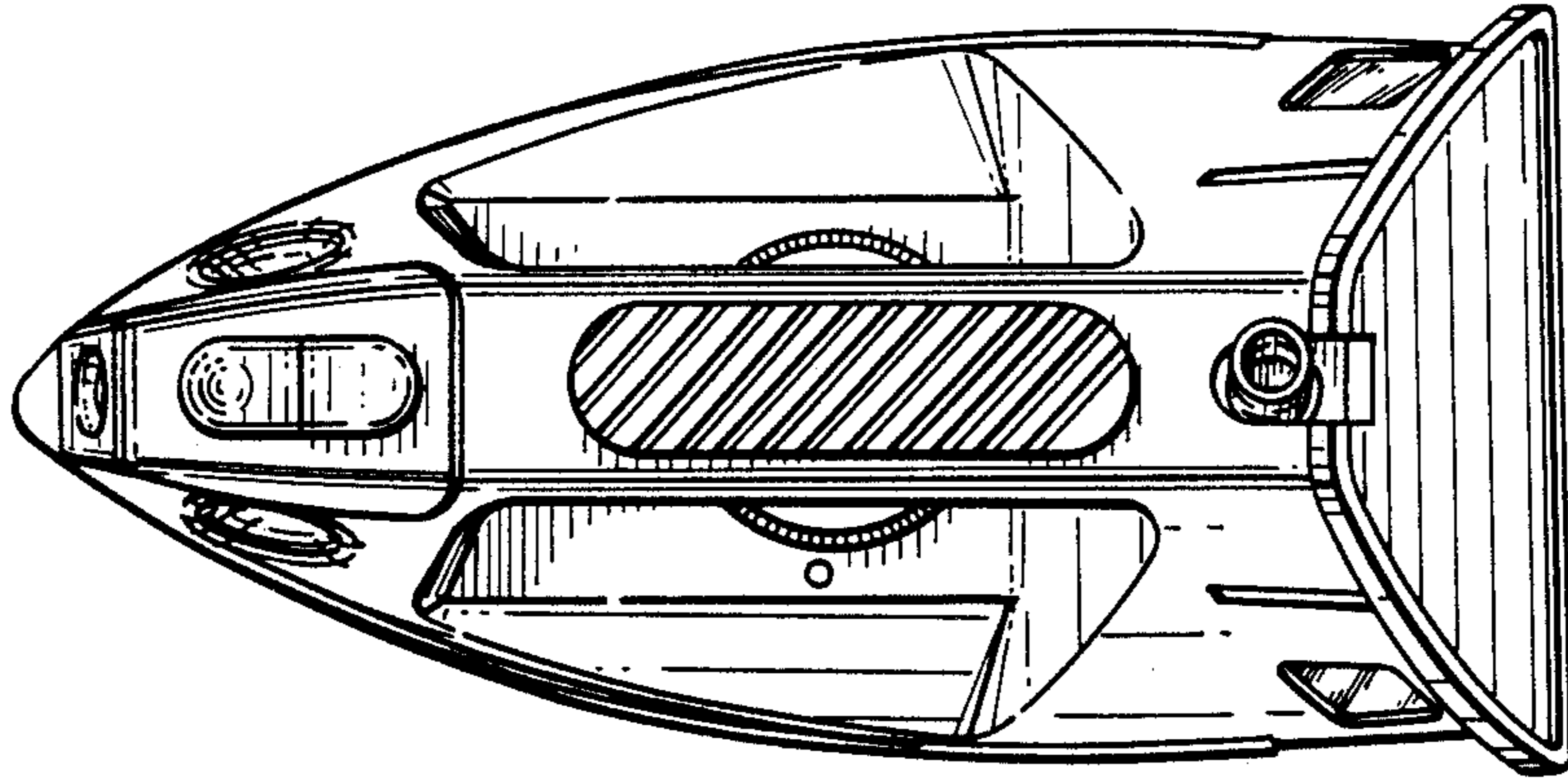


FIG. 4

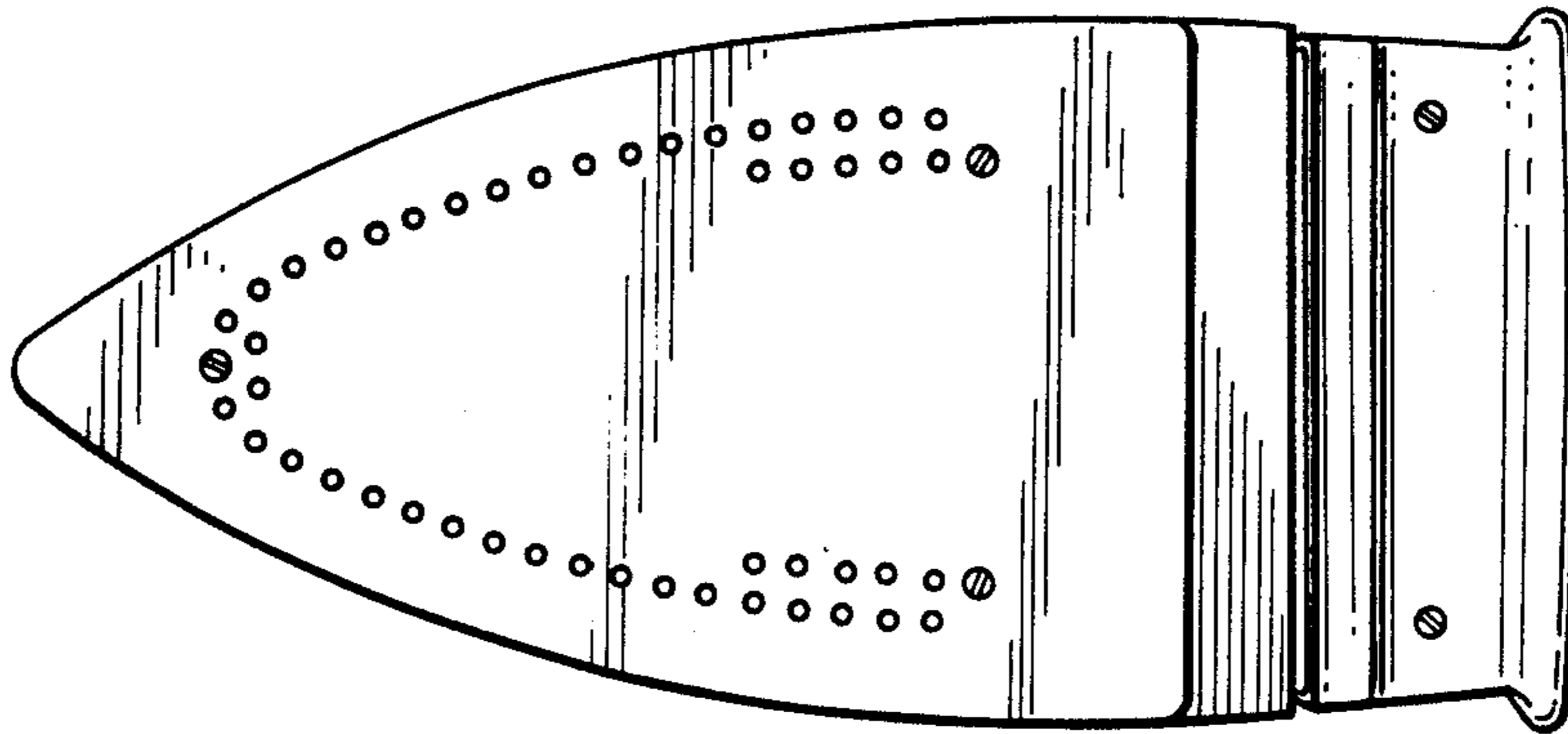


FIG. 5

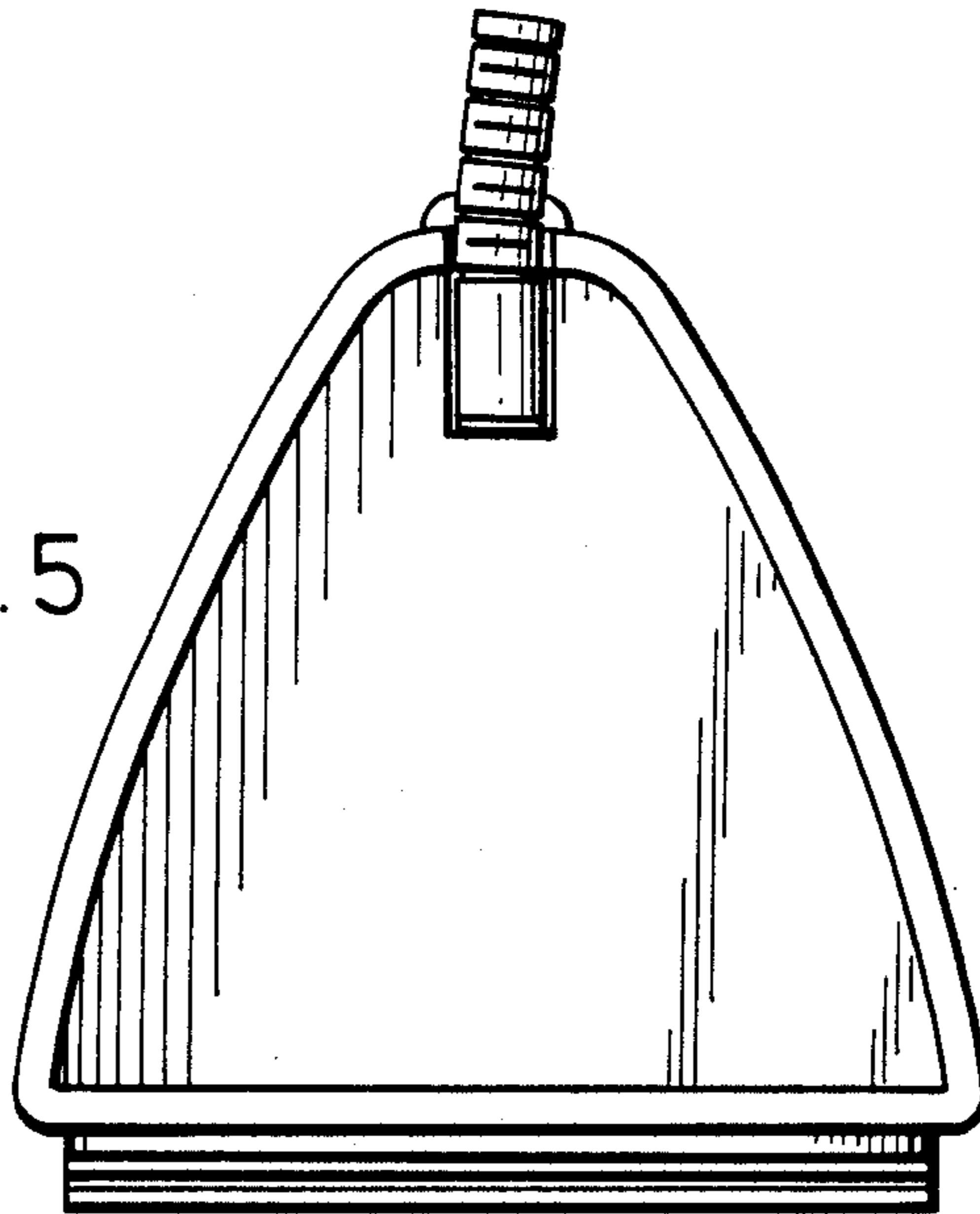


FIG. 6

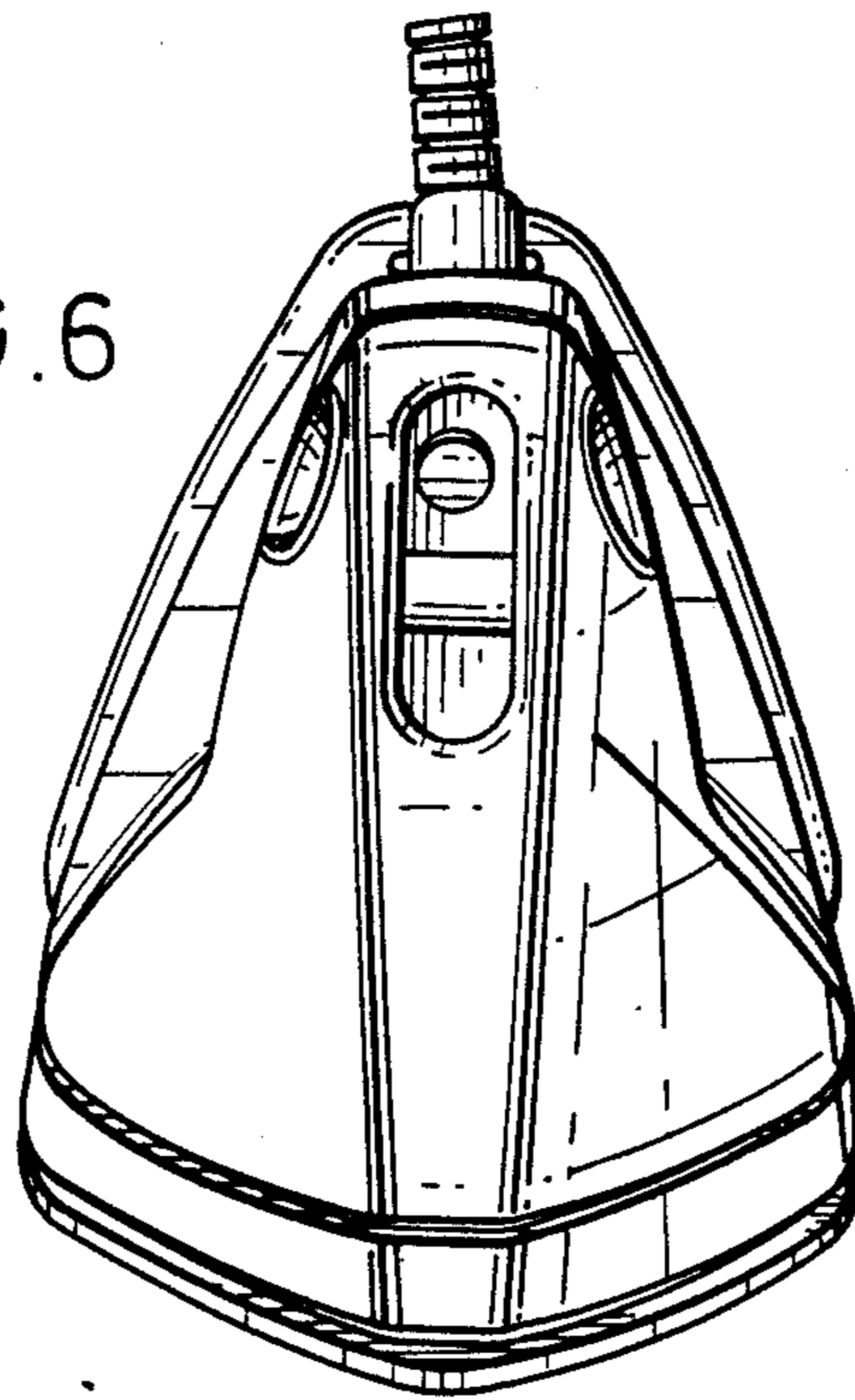


FIG. 7

