

[54] LINE-TYPE HOLDER WITH A MAGNETIC SUPPORT UNIT FOR SUPPORTING ARTICLES

[76] Inventor: Stanley E. Jeffus, 202 Hockaday, Garland, Tex. 75043

[\*\*] Term: 14 Years

[21] Appl. No.: 887,450

[22] Filed: Jul. 21, 1986

[52] U.S. Cl. .... D32/60; D8/373

[58] Field of Search ..... D32/60; D13/99; 211/119.01, 119.1, 119.11-119.13, 1.3; 24/298, 300-302; 248/201, 206.5; D8/373

[56] References Cited

U.S. PATENT DOCUMENTS

583,564	6/1897	Benford	24/301
1,793,790	2/1931	Fowler	211/119.1
2,490,265	12/1949	Gillespie	211/1.3
2,832,358	4/1958	Chambers	24/301 X
2,914,187	11/1959	Mulholland	211/119.1
4,422,137	12/1983	Watts	248/206.5 X
4,480,361	11/1984	Morita	24/303
4,553,715	11/1985	Roselli	211/119.1

FOREIGN PATENT DOCUMENTS

2447871 10/1980 France ..... 24/30

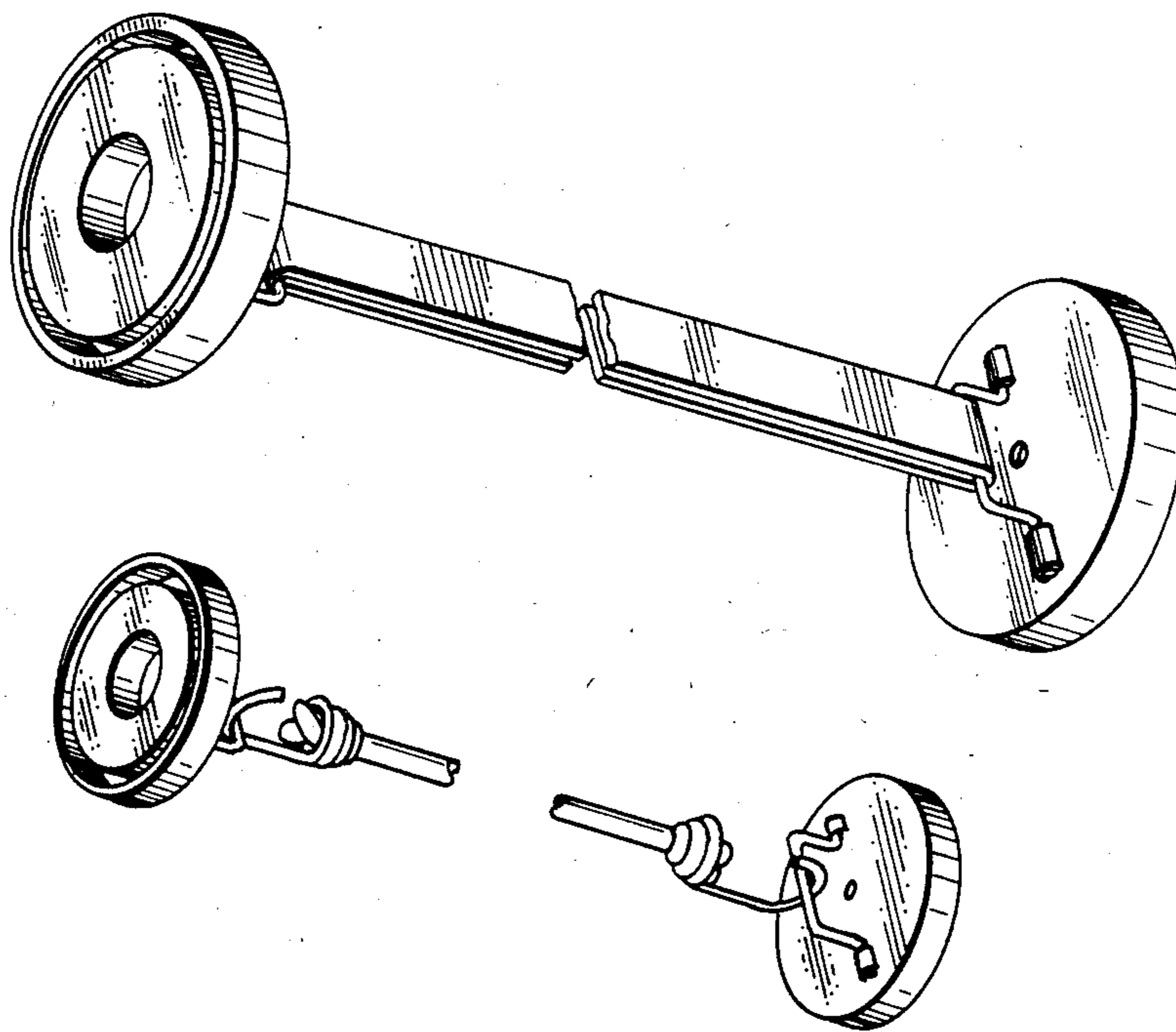
Primary Examiner—Wallace R. Burke  
Assistant Examiner—Lavone D. Tabor  
Attorney, Agent, or Firm—Johnson & Gibbs

[57] CLAIM

The ornamental design for a line-type holder with a magnetic support unit for supporting articles, as shown and described.

DESCRIPTION

FIG. 1 is a perspective view of a line-type holder with a magnetic support unit for supporting articles showing my new design and shown with the strap broken away to indicate indeterminate length;  
FIG. 2 is an enlarged front elevational view of one of the identical end members thereof, with the remaining portions of the article omitted for clarity of illustration;  
FIG. 3 is a side elevational view thereof, the opposite side being a mirror image thereof;  
FIG. 4 is a rear elevational view thereof;  
FIG. 5 is a top plan view thereof; and  
FIG. 6 is a perspective view of a second embodiment of FIG 1 wherein the only difference resides in the appearance of the strap member shown broken away to indicate indeterminate length.



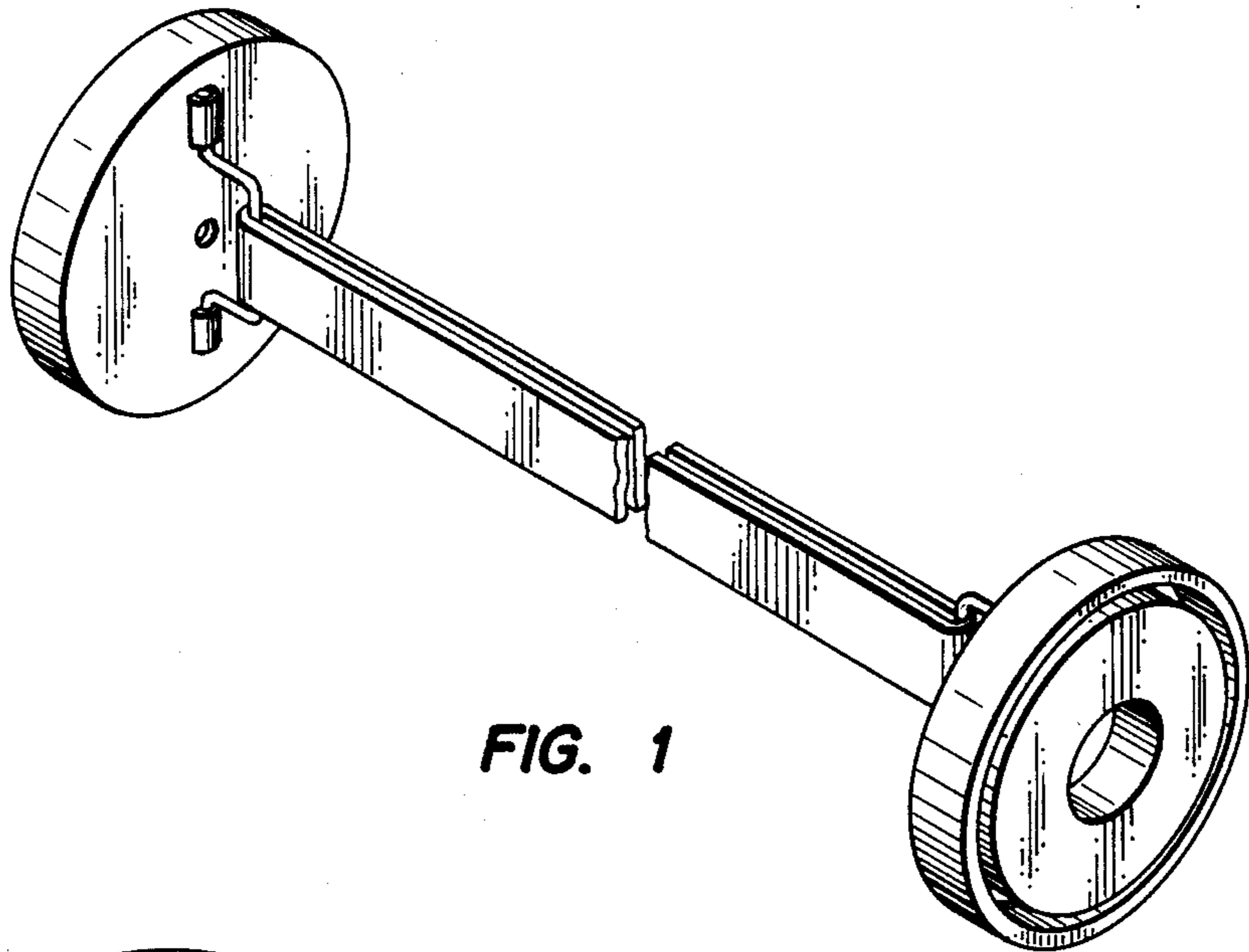


FIG. 1

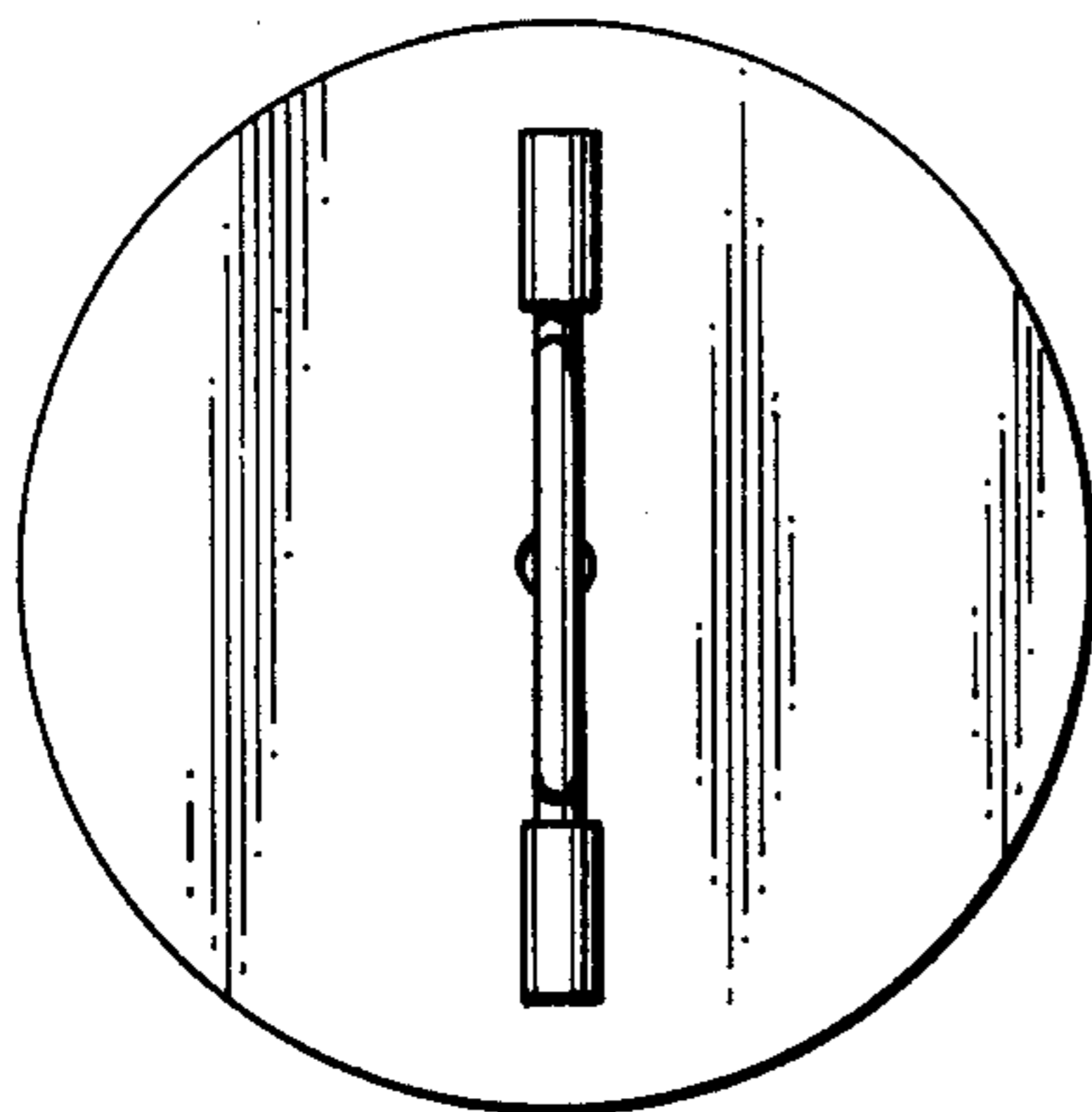


FIG. 2

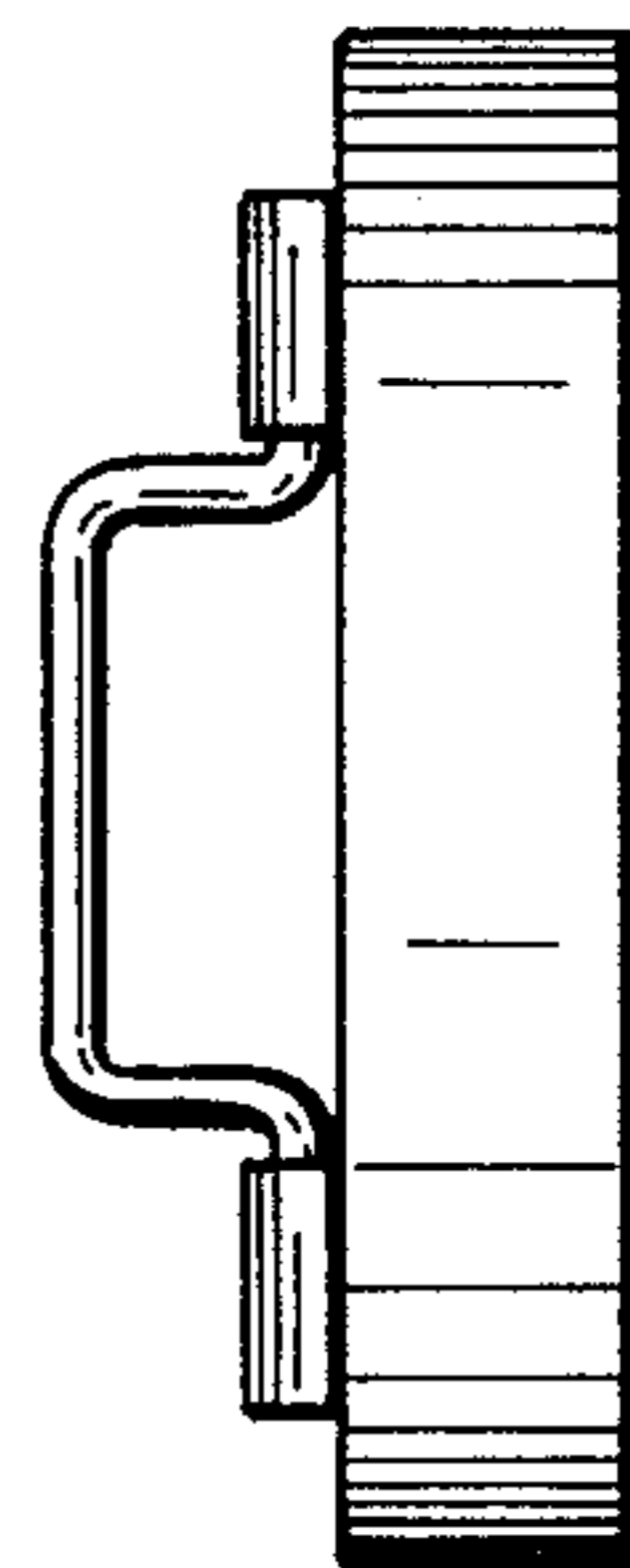


FIG. 3

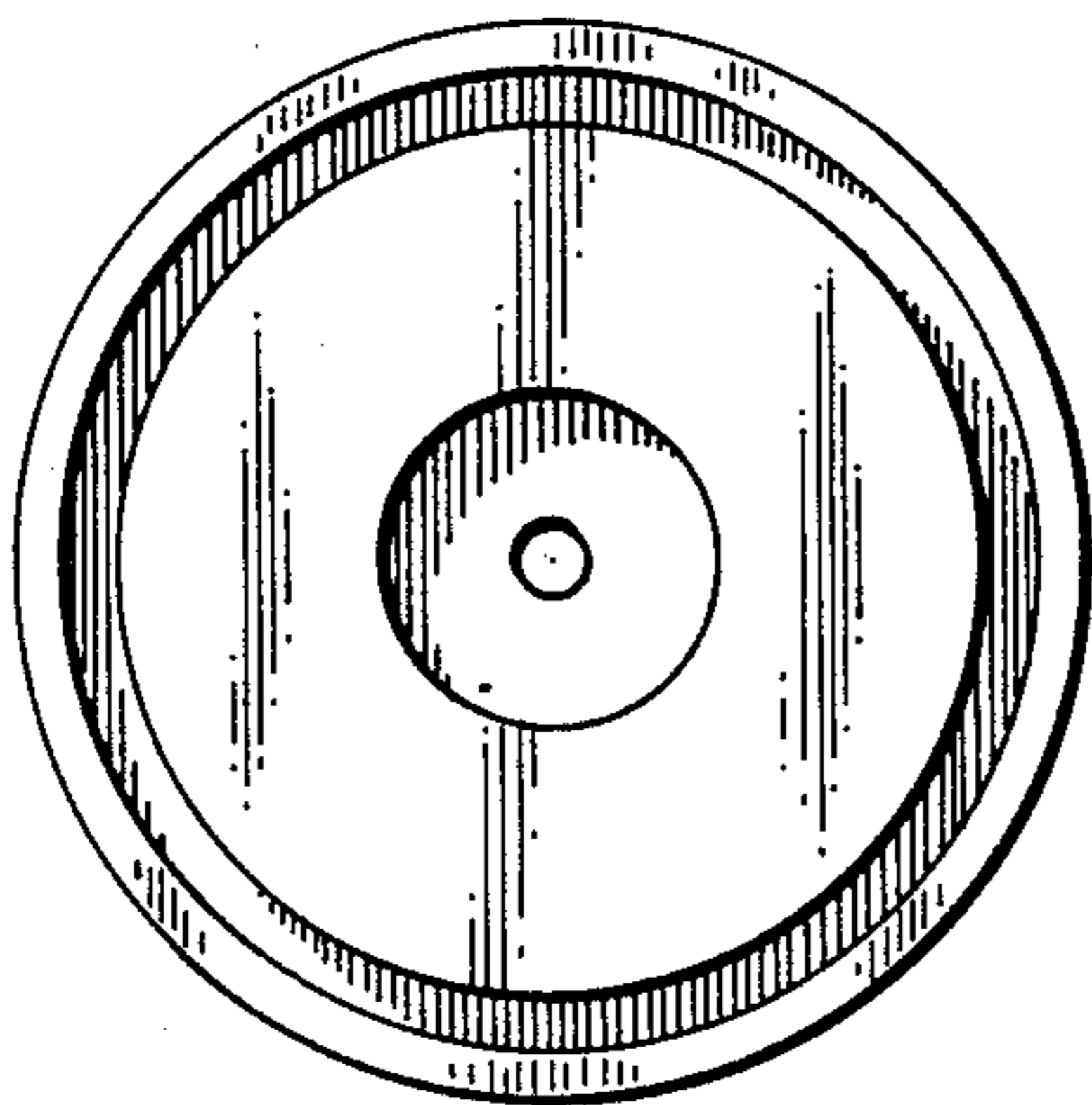


FIG. 4

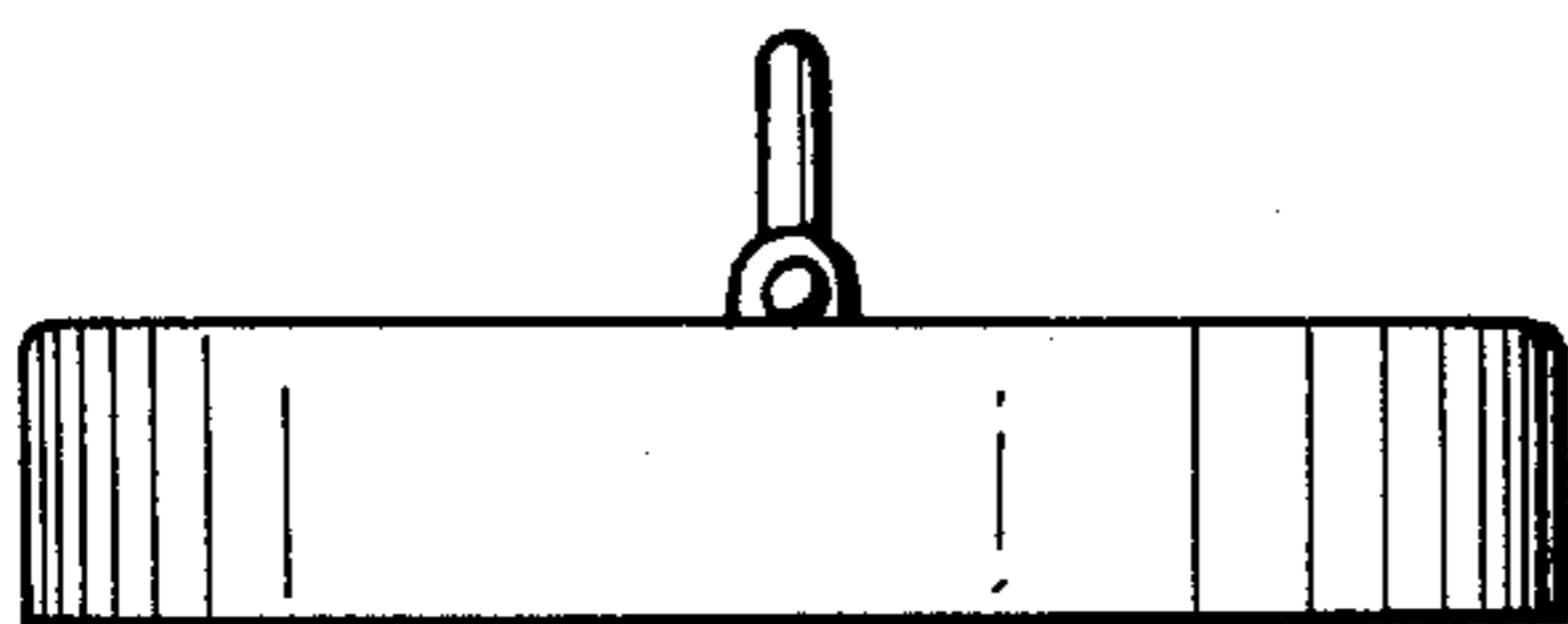


FIG. 5

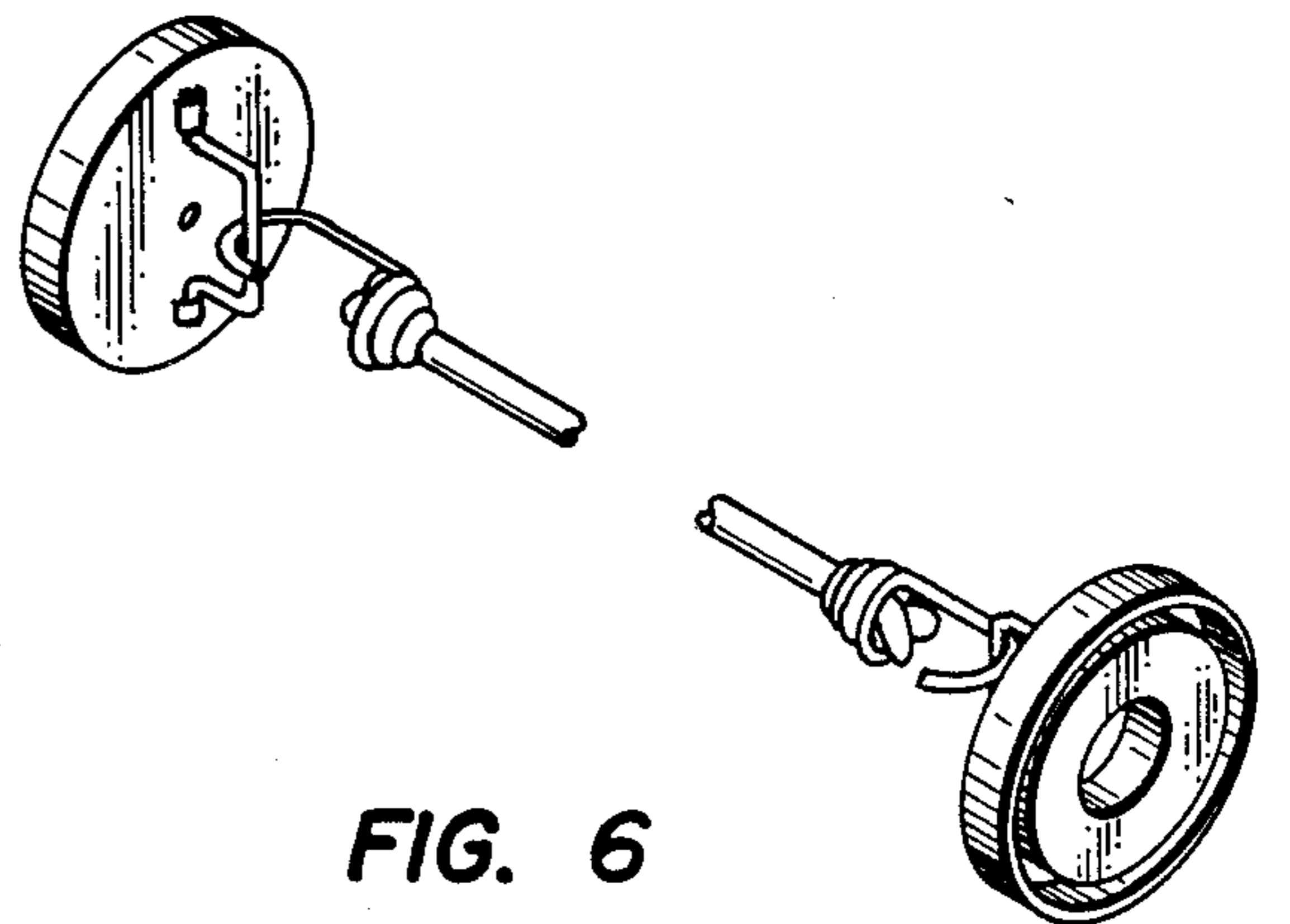


FIG. 6