

[54] **DISPOSABLE CAT LITTER BOX**

[76] **Inventor:** Tina M. Valinsky, 7152 Rock Ridge Ter., West Hills, Calif. 91307

[**] **Term:** 14 Years

[21] **Appl. No.:** 276,568

[22] **Filed:** Nov. 28, 1988

[52] **U.S. Cl.** D30/161

[58] **Field of Search** D30/99, 158, 160, 161, D30/199, 108-120; 119/1, 17, 19, 29, 29.5, 158

[56] **References Cited**

U.S. PATENT DOCUMENTS

4,541,360 9/1985 Higgins et al. 294/1.3

FOREIGN PATENT DOCUMENTS

22750 of 1898 United Kingdom 119/17

Primary Examiner—Louis S. Zarfes

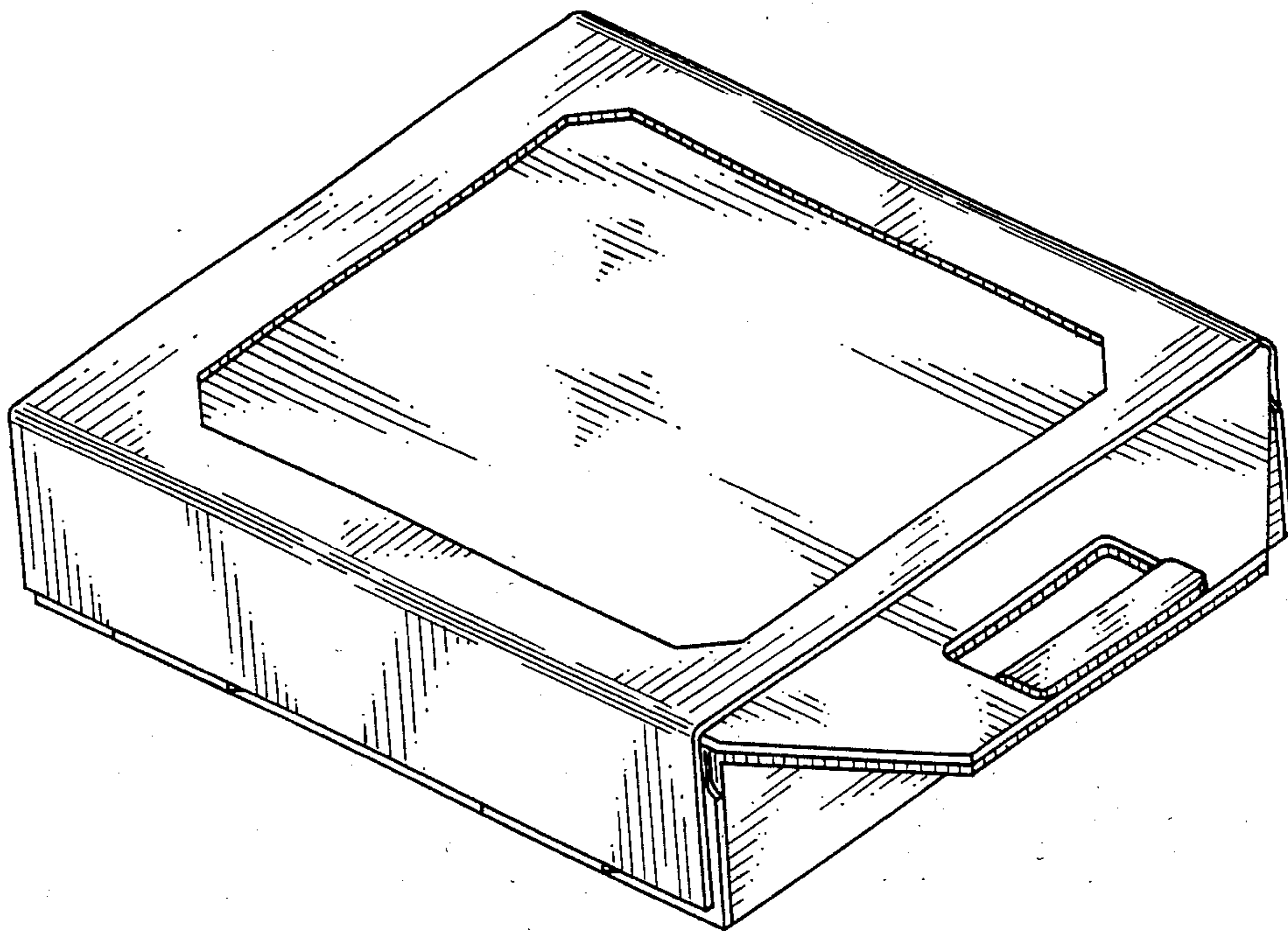
Attorney, Agent, or Firm—Timothy T. Tyson

[57] **CLAIM**

The ornamental design for a disposable cat litter box, as shown and described.

DESCRIPTION

FIG. 1 is a top and right side perspective view of a disposable cat litter box showing my new design; FIG. 2 is right side elevational view thereof, the left side elevational view being the mirror image thereof; FIG. 3 is a right end elevational view thereof; FIG. 4 is a left end elevational view thereof; FIG. 5 is a top plan view thereof; FIG. 6 is a bottom plan view thereof.



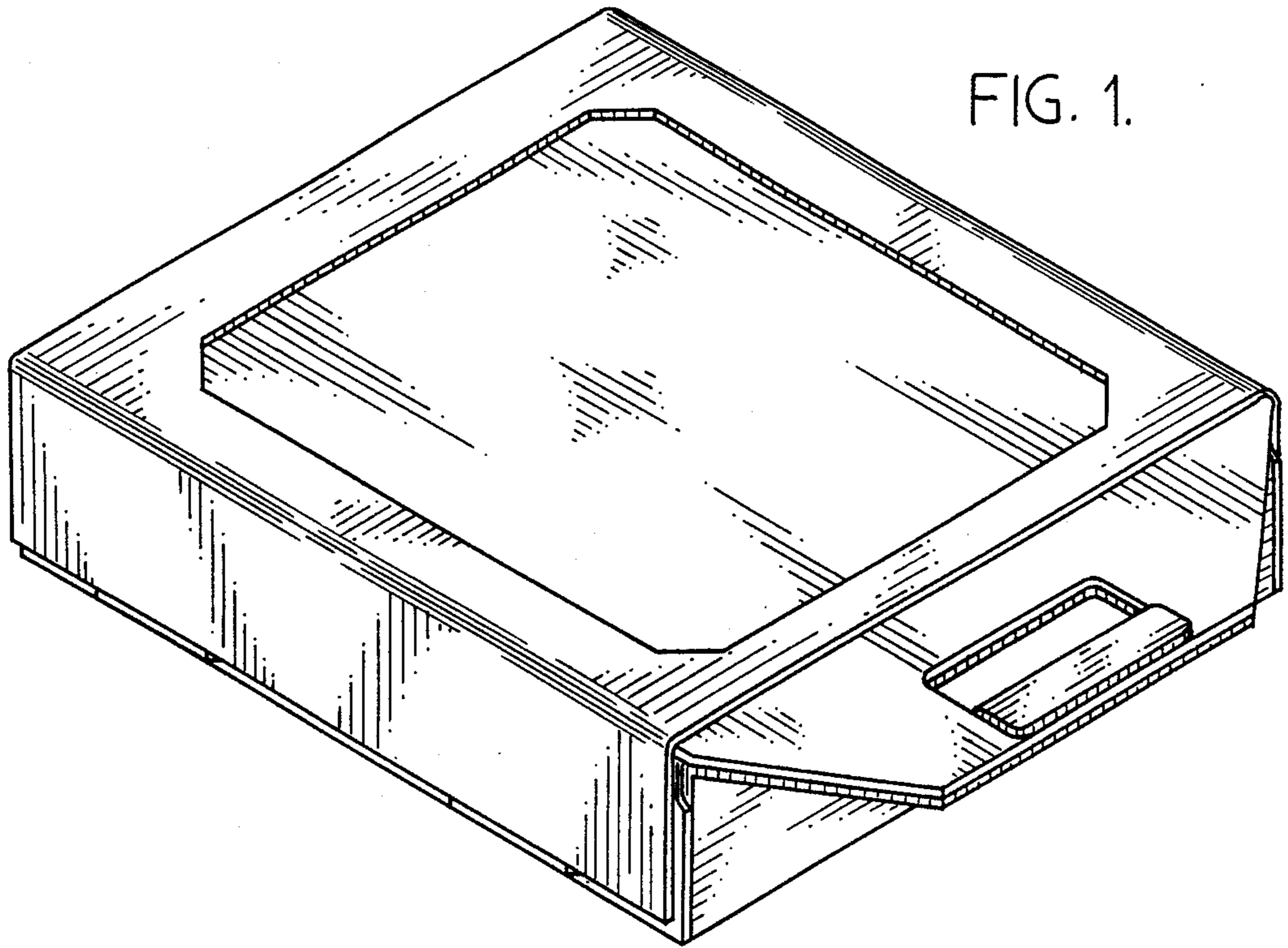


FIG. 2.

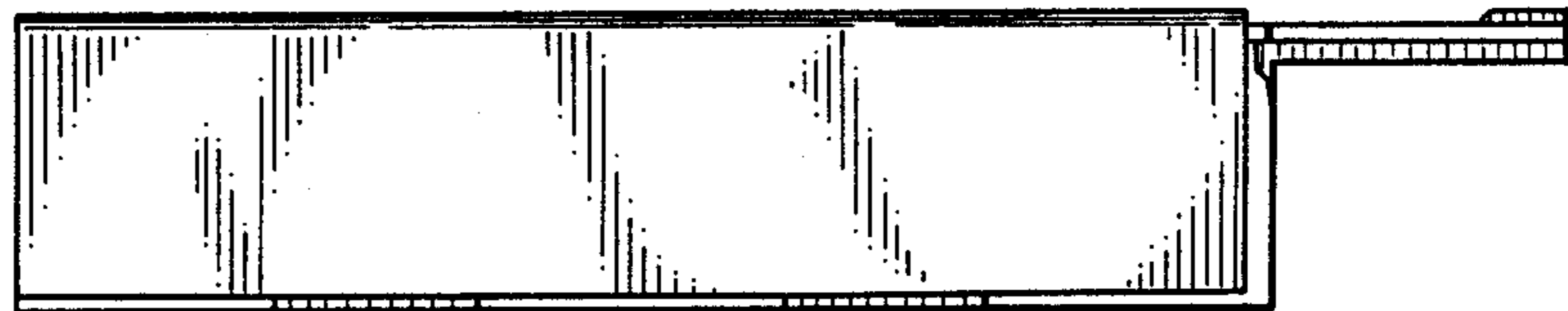


FIG. 3.

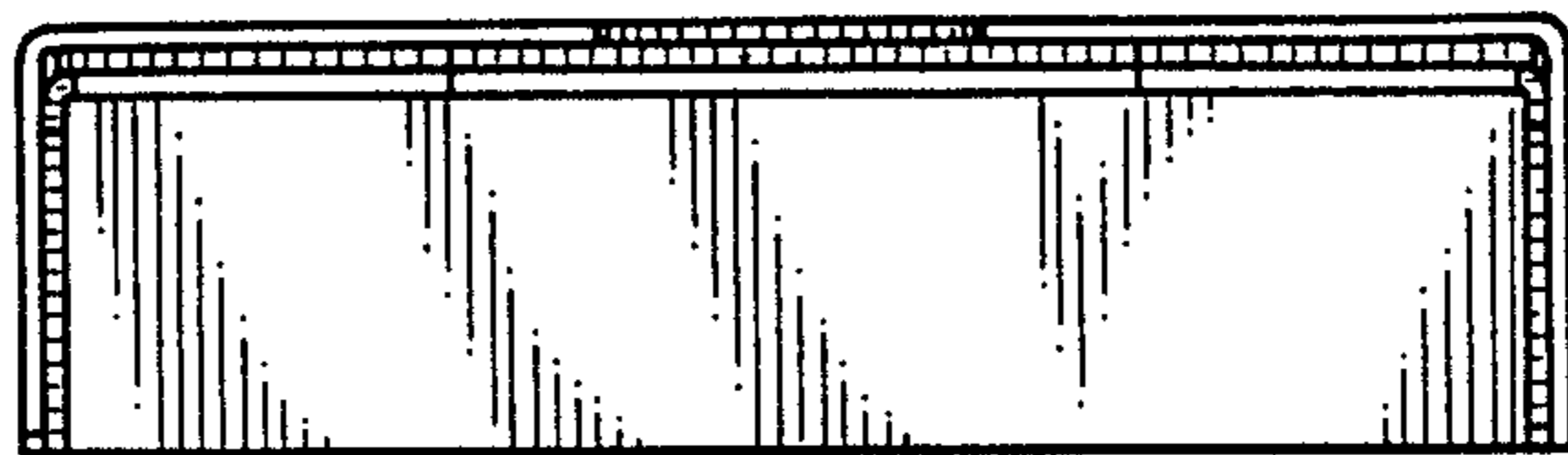
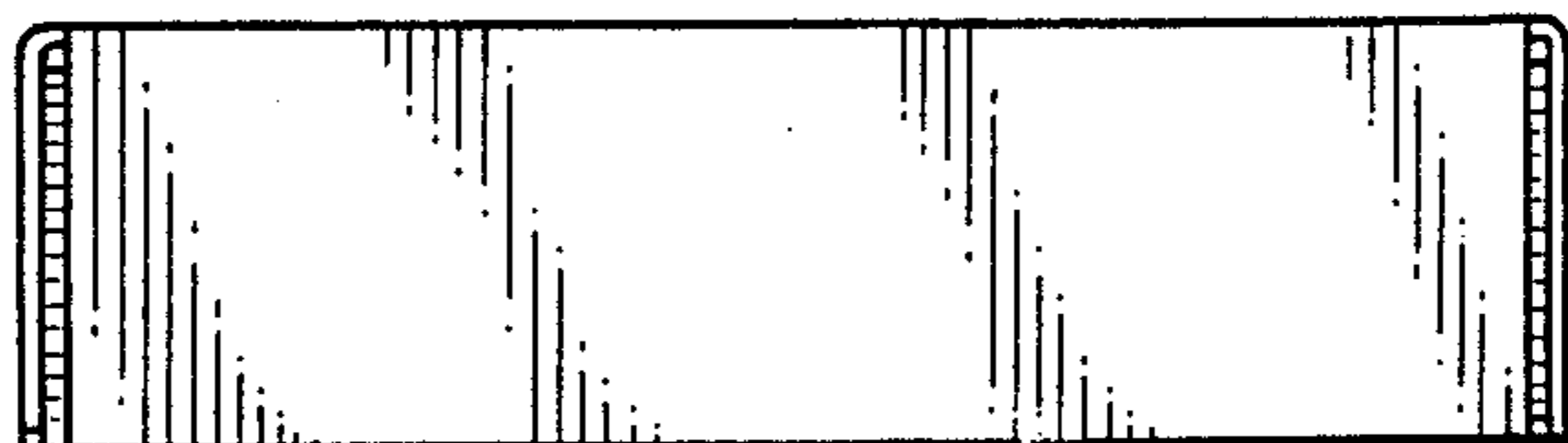


FIG. 4.



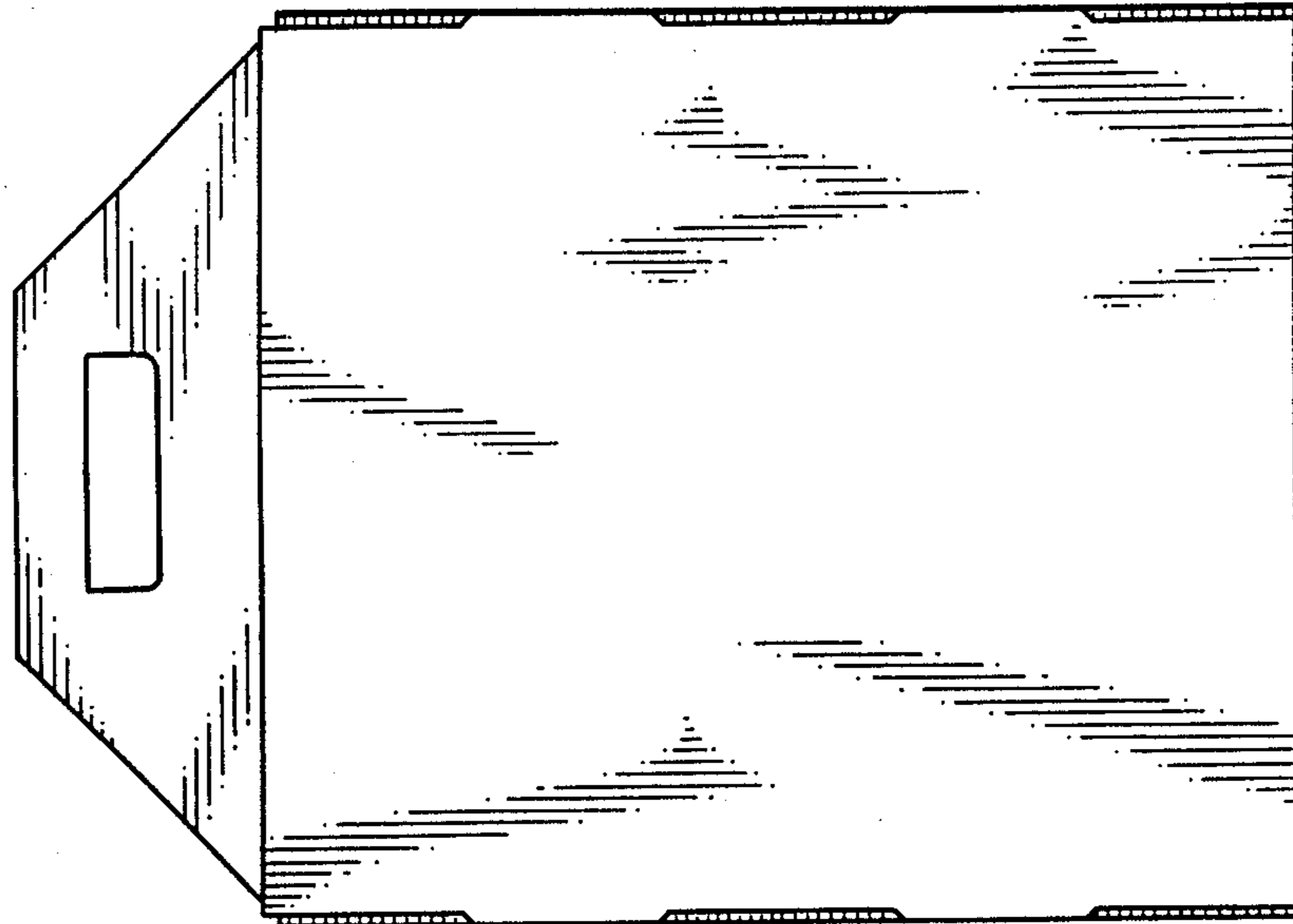


FIG. 6.

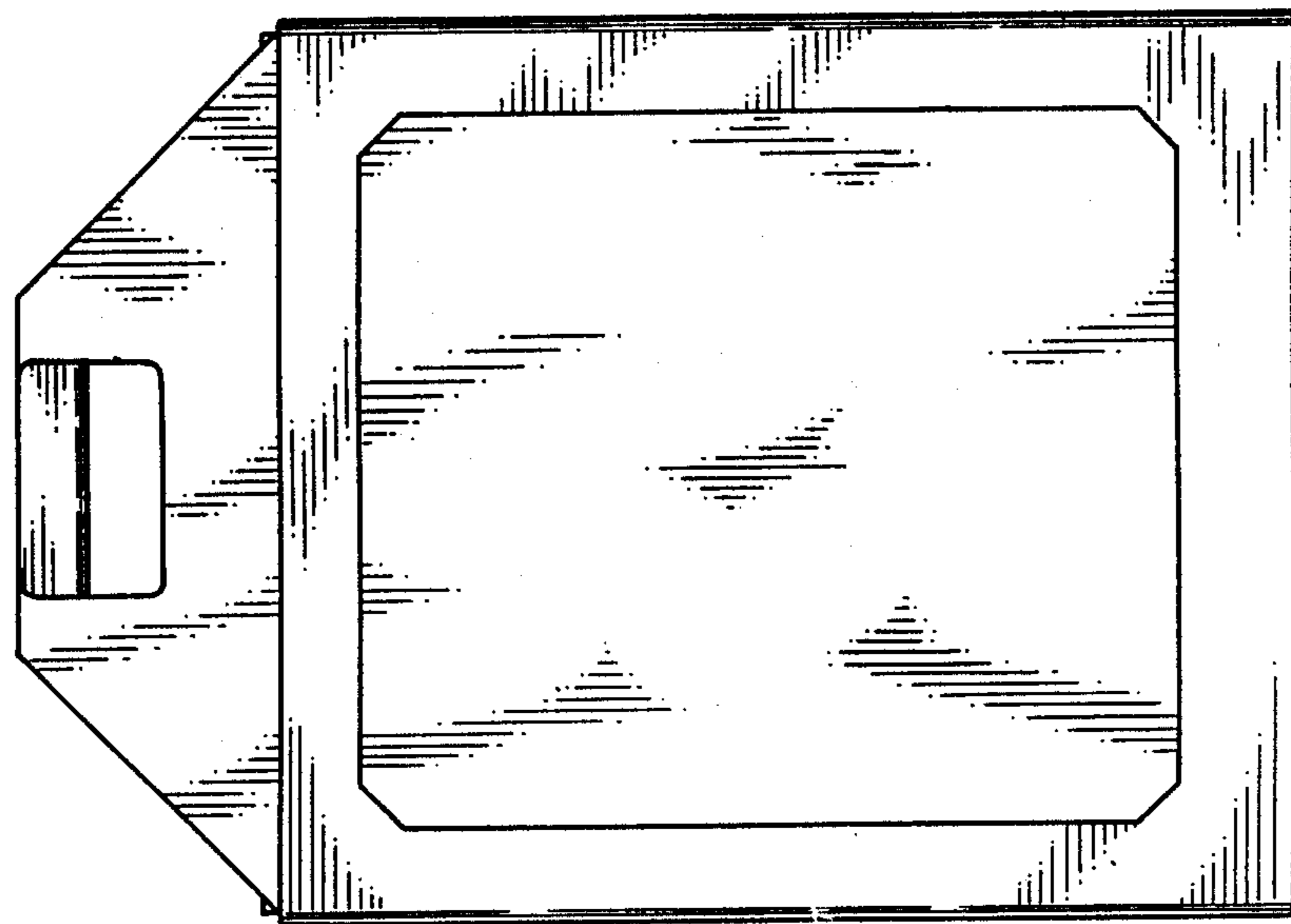


FIG. 5.