

[54] **DENTAL FLOSS HOLDER**
[75] **Inventor: Osamu Kujirai, Kumagaya, Japan**
[73] **Assignee: G-C Dental Industrial Corporation, Tokyo, Japan**
[**] **Term: 14 Years**
[21] **Appl. No.: 241,399**
[22] **Filed: Sep. 7, 1988**

[30] **Foreign Application Priority Data**

Mar. 8, 1988 [JP] Japan 63-9147
[52] **U.S. Cl. D28/64**
[58] **Field of Search D28/64; 132/321, 322, 132/323, 324, 325, 326, 327, 328, 329**

[56] **References Cited**

U.S. PATENT DOCUMENTS

D. 237,086 10/1975 Gore D28/64
1,260,011 3/1918 Muchow 132/324
2,756,758 7/1956 Segerblom 132/326
3,533,420 10/1970 Maloney et al. 132/325
4,495,956 1/1985 Fourie 132/326

Primary Examiner—Susan J. Lucas
Assistant Examiner—M. H. Tung

Attorney, Agent, or Firm—Oblon, Spivak, McClelland, Maier & Neustadt

[57] **CLAIM**

The ornamental design for a dental floss holder, as shown and described.

DESCRIPTION

FIG. 1 is a perspective view of dental floss holder showing my new design;
FIG. 2 is a front elevational view thereof;
FIG. 3 is a rear elevational view thereof;
FIG. 4 is a left side elevational view thereof;
FIG. 5 is a right side elevational view thereof;
FIG. 6 is a top plan view thereof;
FIG. 7 is a bottom plan view thereof.
FIG. 8 is a front elevational view thereof, the holder shown in an open position;
FIG. 9 is a rear elevational view thereof, the holder shown in an open position;
FIG. 10 is a front elevational view thereof, the holder shown in an open position; and
FIG. 11 is a front elevational view thereof, one part of the holder shown in an open position.
The broken lines are shown for illustrative purposes only and form no part of the claimed design.

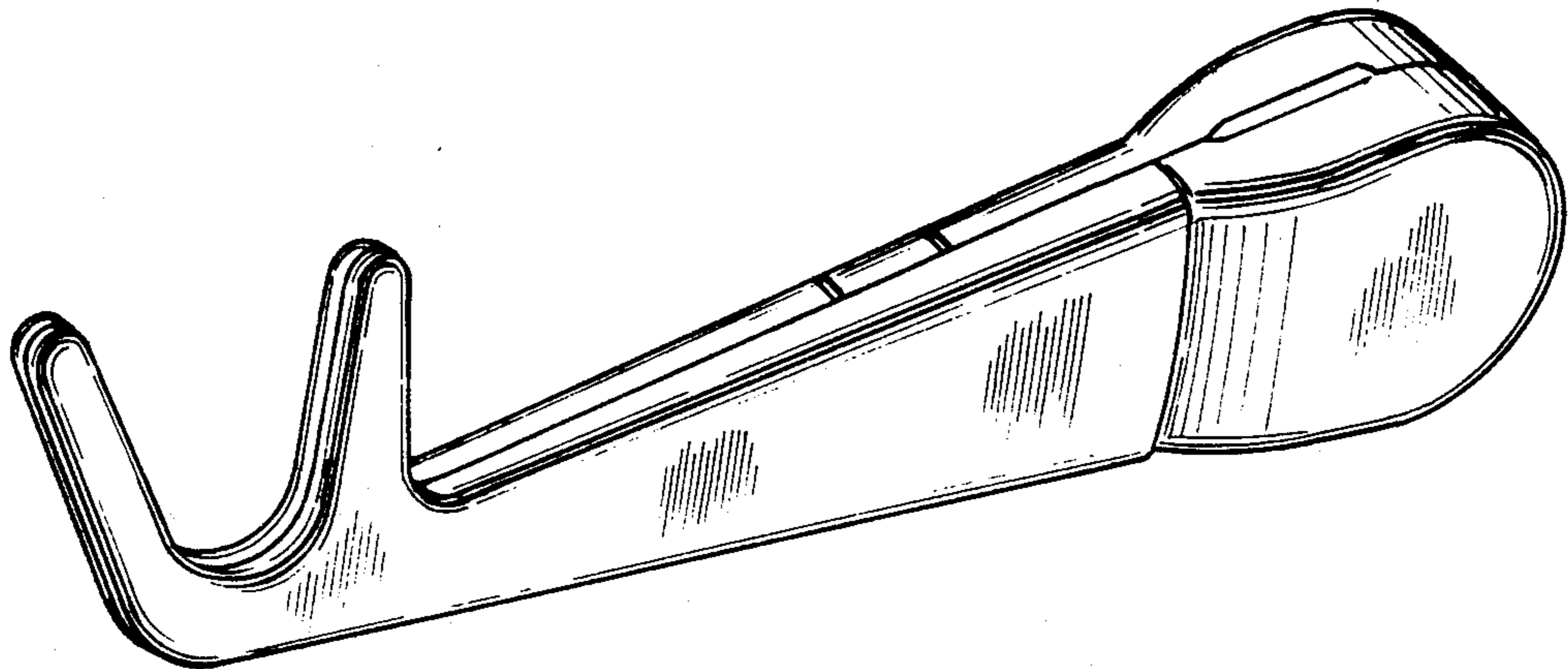


FIG. 1

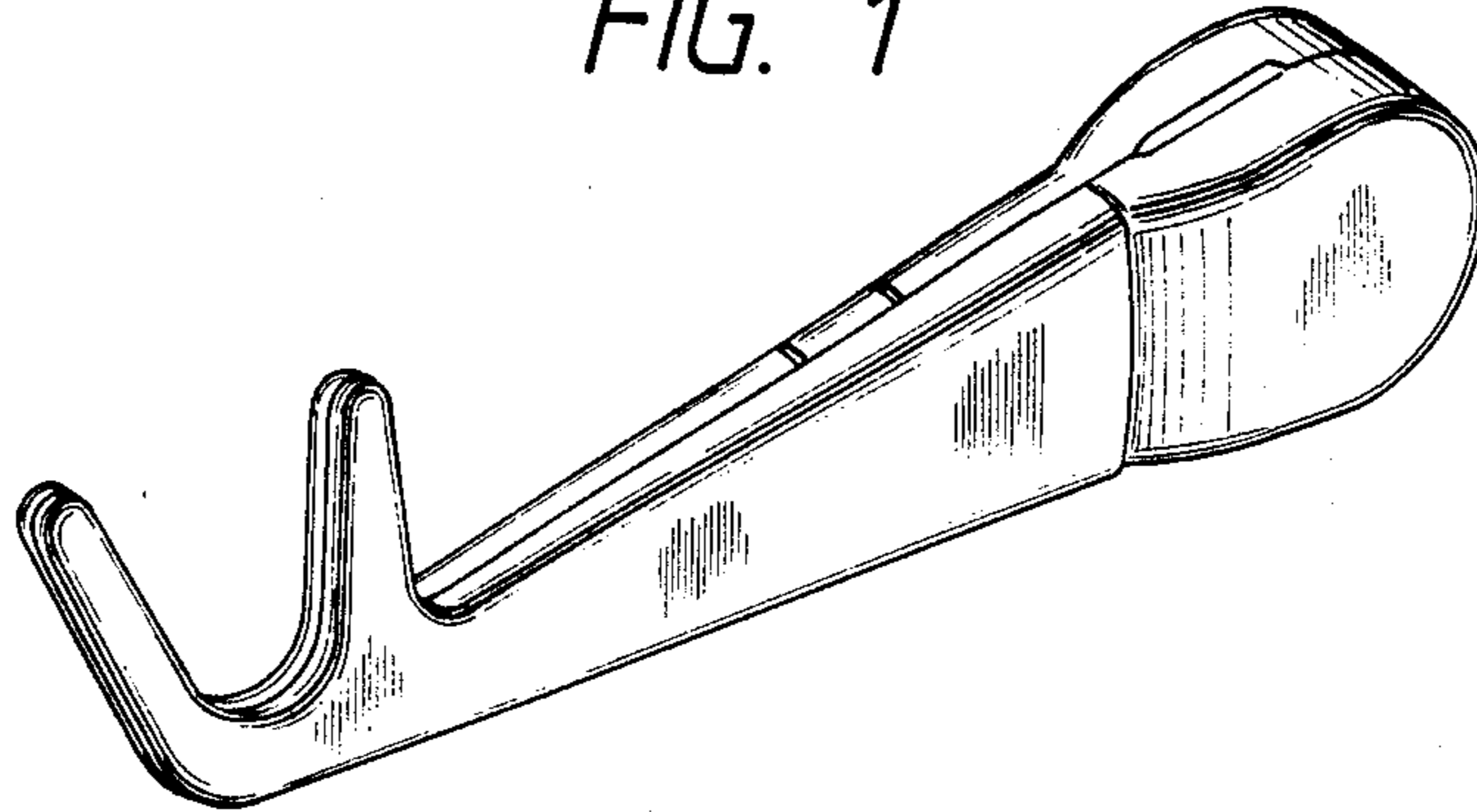


FIG. 2

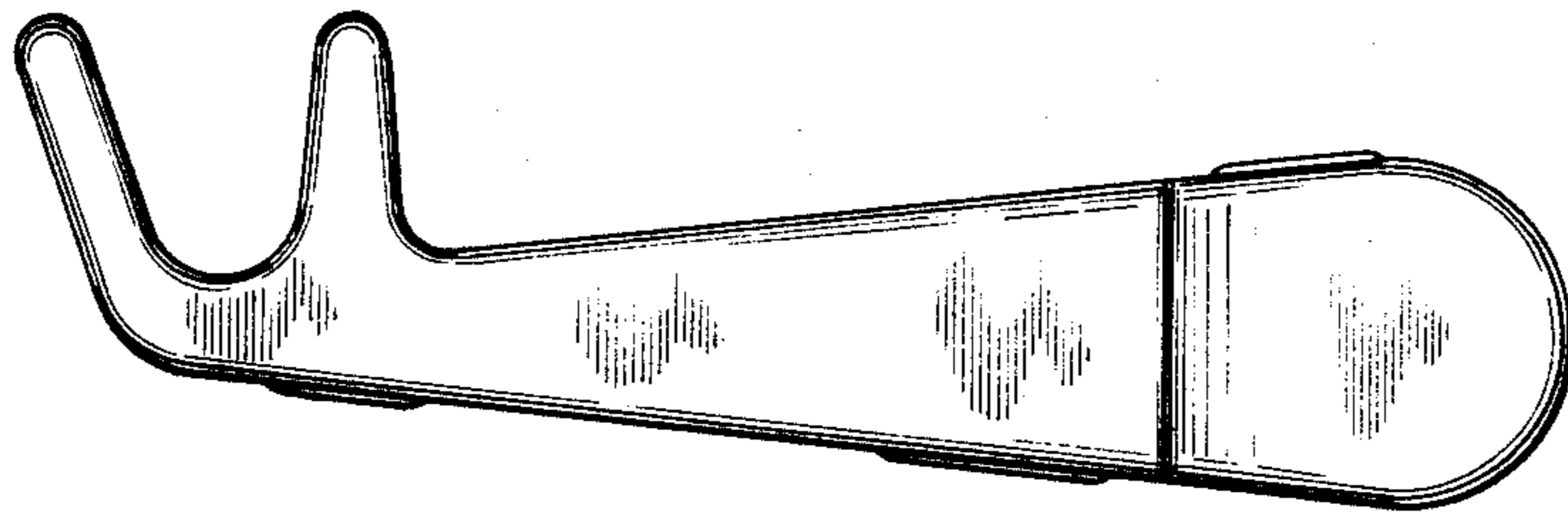


FIG. 3

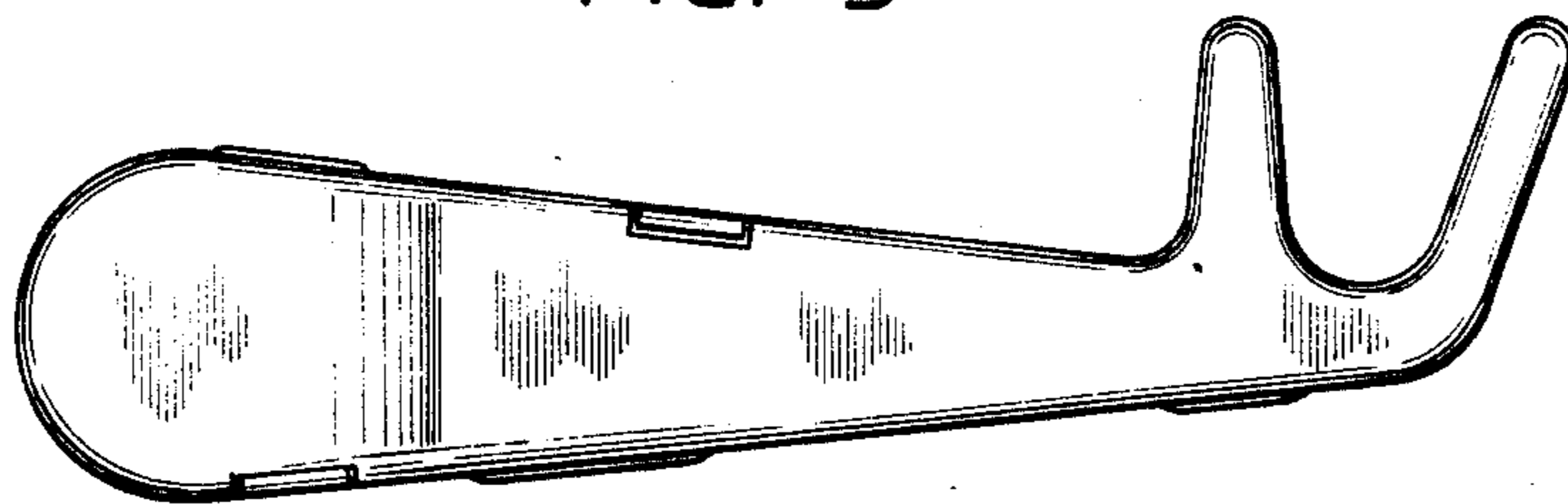


FIG. 4

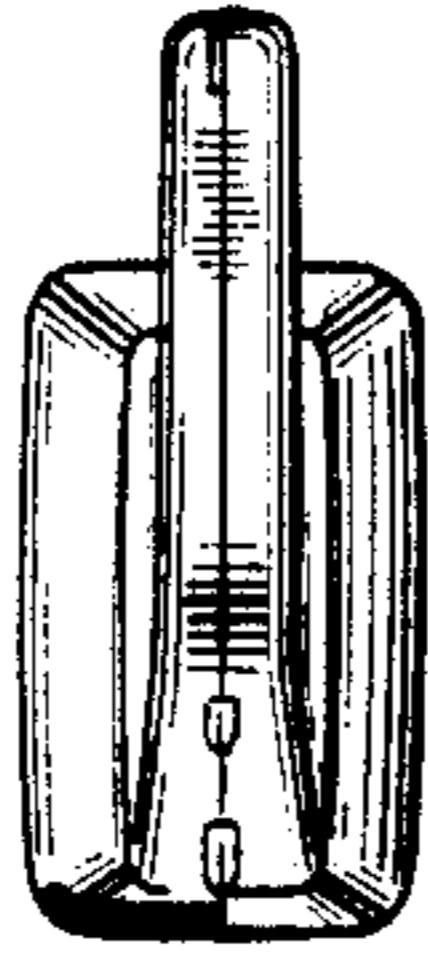


FIG. 5

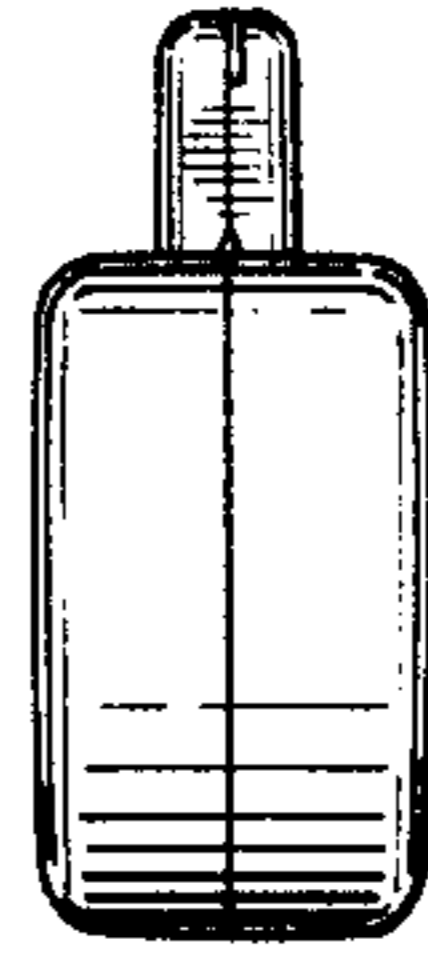


FIG. 6

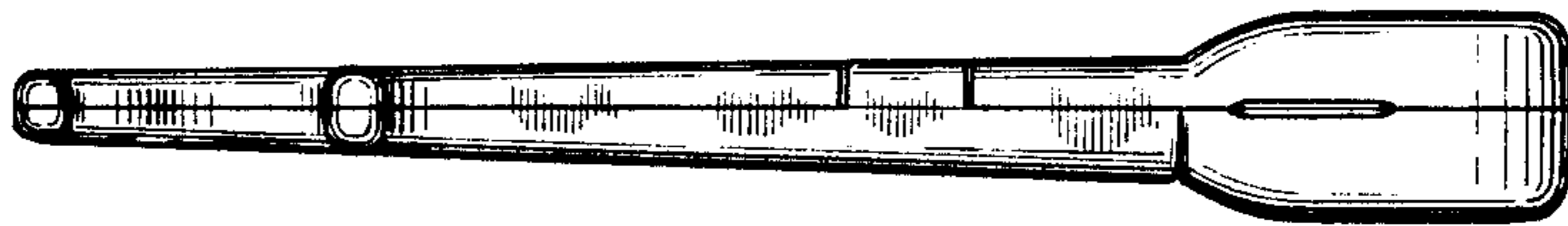


FIG. 7

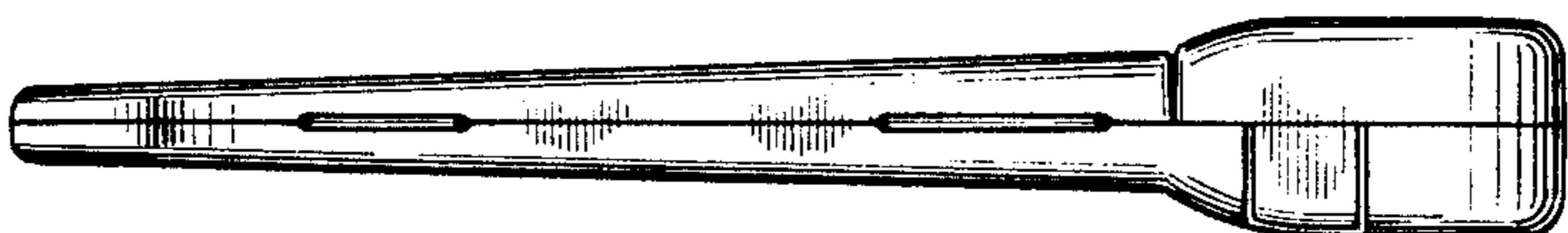


FIG. 8

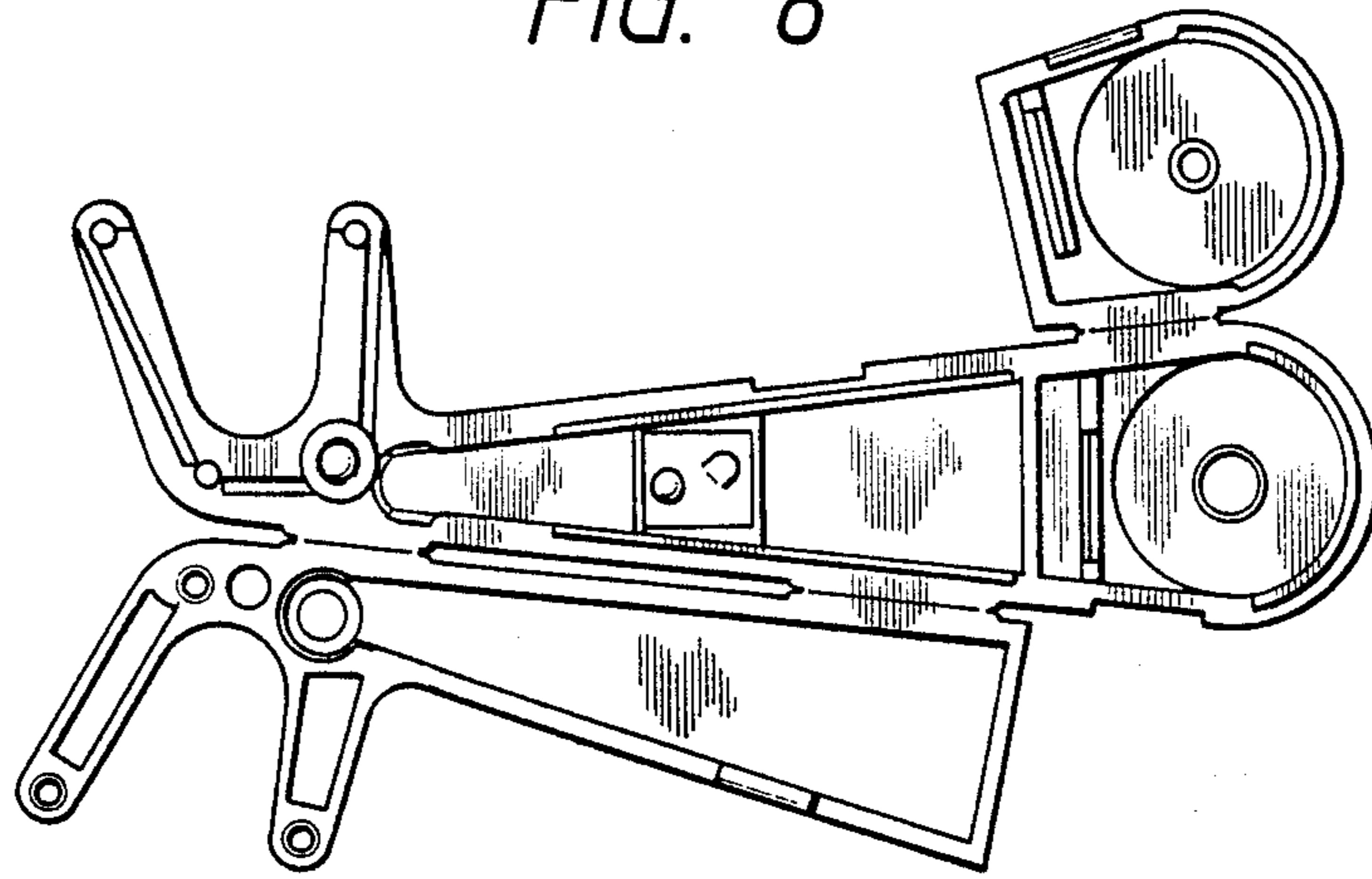


FIG. 9

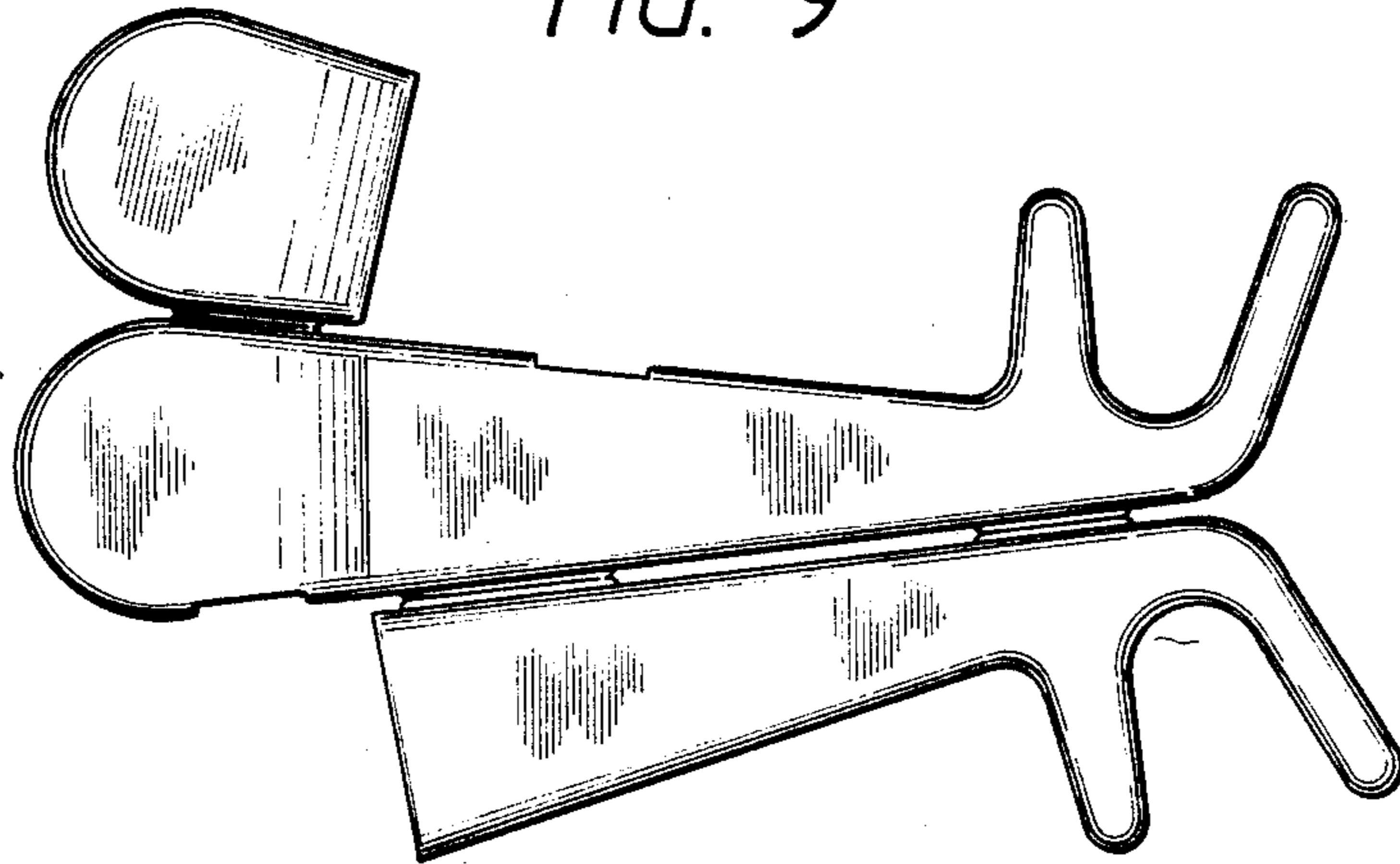


FIG. 10

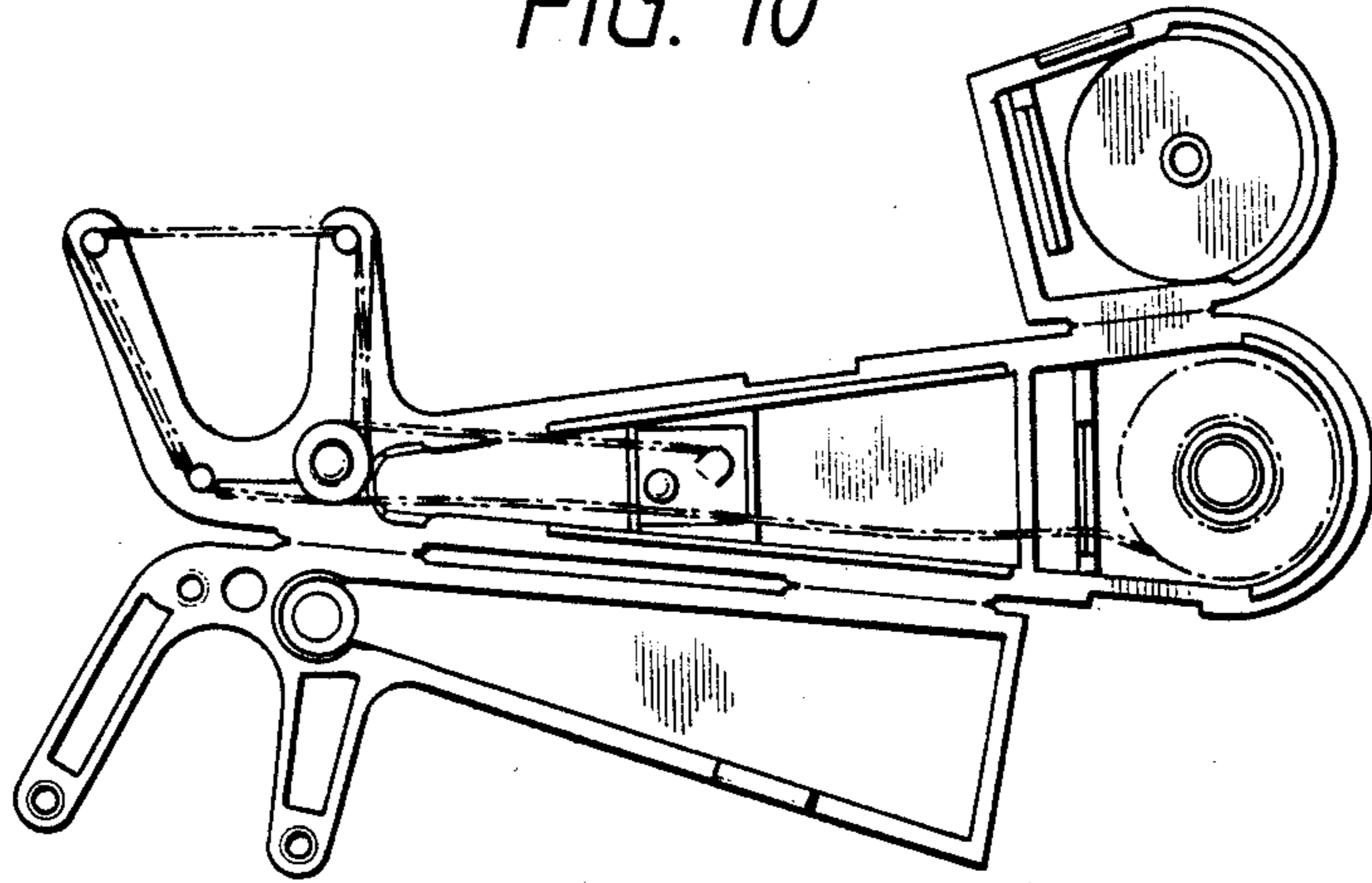


FIG. 11

