

- [54] **TRISCORED DRUG TABLET**
- [75] Inventors: **Phillip F. Ni, Mattawan; Larry F. Odar, Galesburg, both of Mich.**
- [73] Assignee: **The Upjohn Company, Kalamazoo, Mich.**
- [**] Term: **14 Years**
- [21] Appl. No.: **345,428**
- [22] Filed: **Apr. 28, 1989**

D. 228,456	9/1973	Ninger	D1/121
2,052,376	8/1936	Zellers	424/467
3,336,200	8/1967	Krause et al.	424/465
4,215,104	7/1980	Ullman et al.	424/467
4,258,027	3/1981	Ullman et al.	424/467
4,735,805	4/1988	Ni et al.	424/464

FOREIGN PATENT DOCUMENTS

993291 5/1965 United Kingdom .

Primary Examiner—Wallace R. Burke
Assistant Examiner—Kay H. Chin
Attorney, Agent, or Firm—Flynn, Thiel, Boutell & Tanis

Related U.S. Application Data

- [63] Continuation of Ser. No. 133,992, Dec. 17, 1987, abandoned.
- [52] U.S. Cl. **D28/2; D28/8.1**
- [58] Field of Search **D28/1, 2, 3, 8.1, 8.2; 424/467, 468, 464-466, 472-474; 426/97, 98; D1/100, 106, 112, 121, 127-129, 199**

[57] **CLAIM**

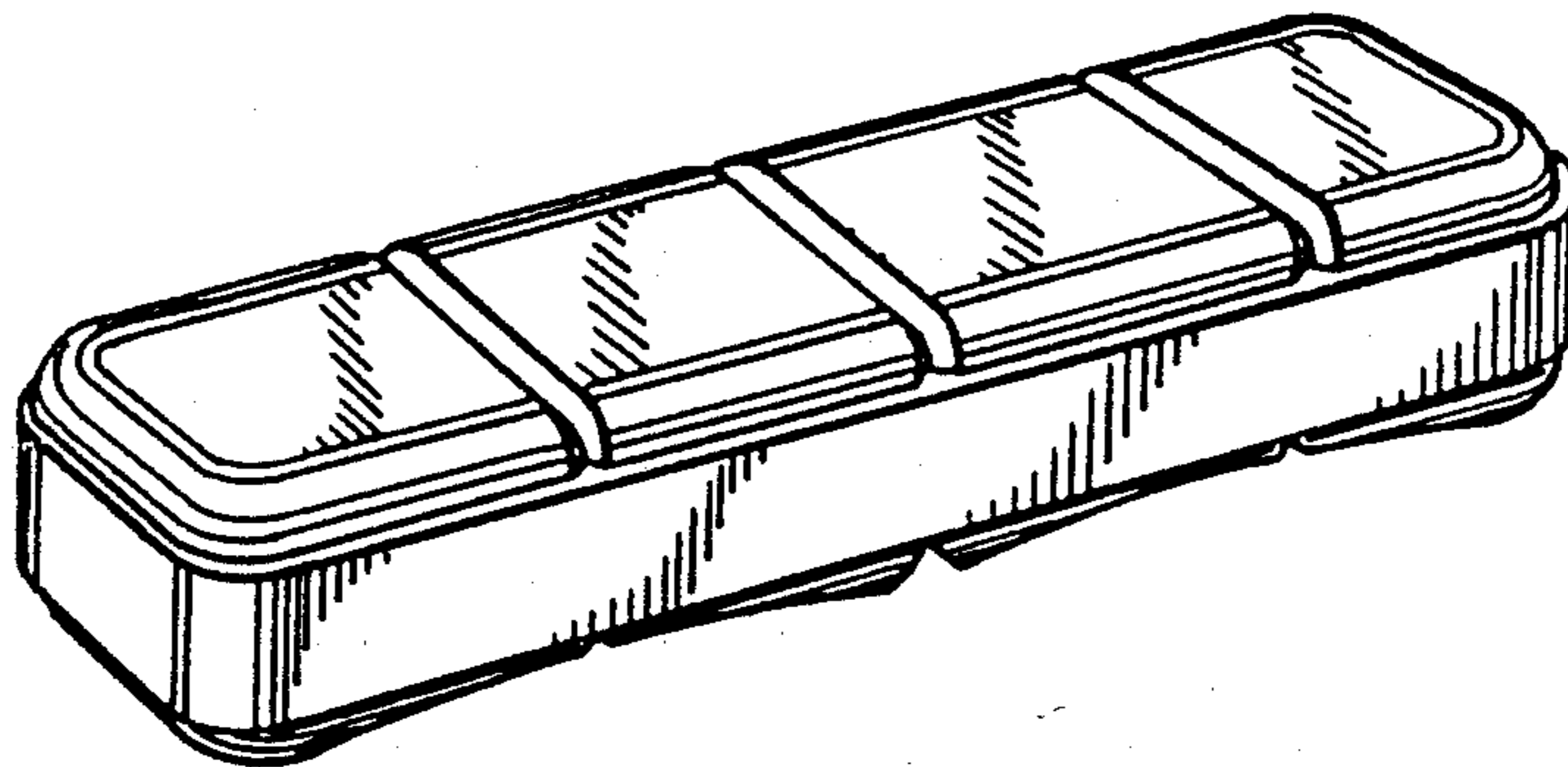
The ornamental design for a triscored drug tablet, as shown and described.

DESCRIPTION

FIG. 1 is a top and front perspective view of a triscored drug tablet showing our new design; FIG. 2 is a bottom and front perspective view thereof; FIG. 3 is a top plan view thereof; FIG. 4 is a bottom plan view thereof; FIG. 5 is a front elevational view thereof, the rear elevational view being identical thereto; and FIG. 6 is a left end elevational view thereof, the right end elevational view being identical thereto.

[56] **References Cited**
U.S. PATENT DOCUMENTS

D. 202,467	10/1965	Gullmot	D1/121
D. 216,307	12/1969	Ninger	D28/2
D. 220,956	6/1971	Roberts	D28/2
D. 224,591	8/1972	Roberts	D28/2



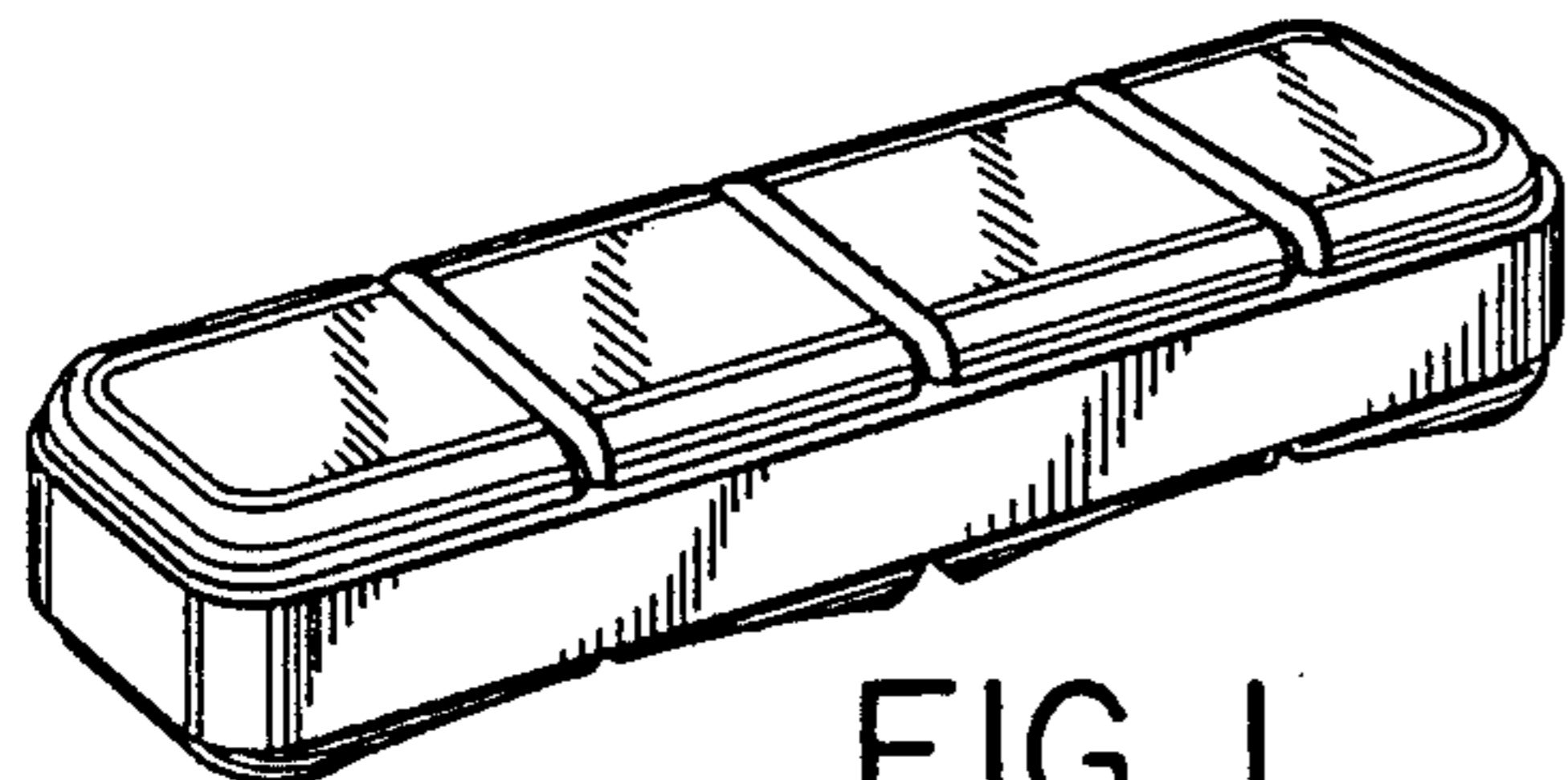


FIG. 1

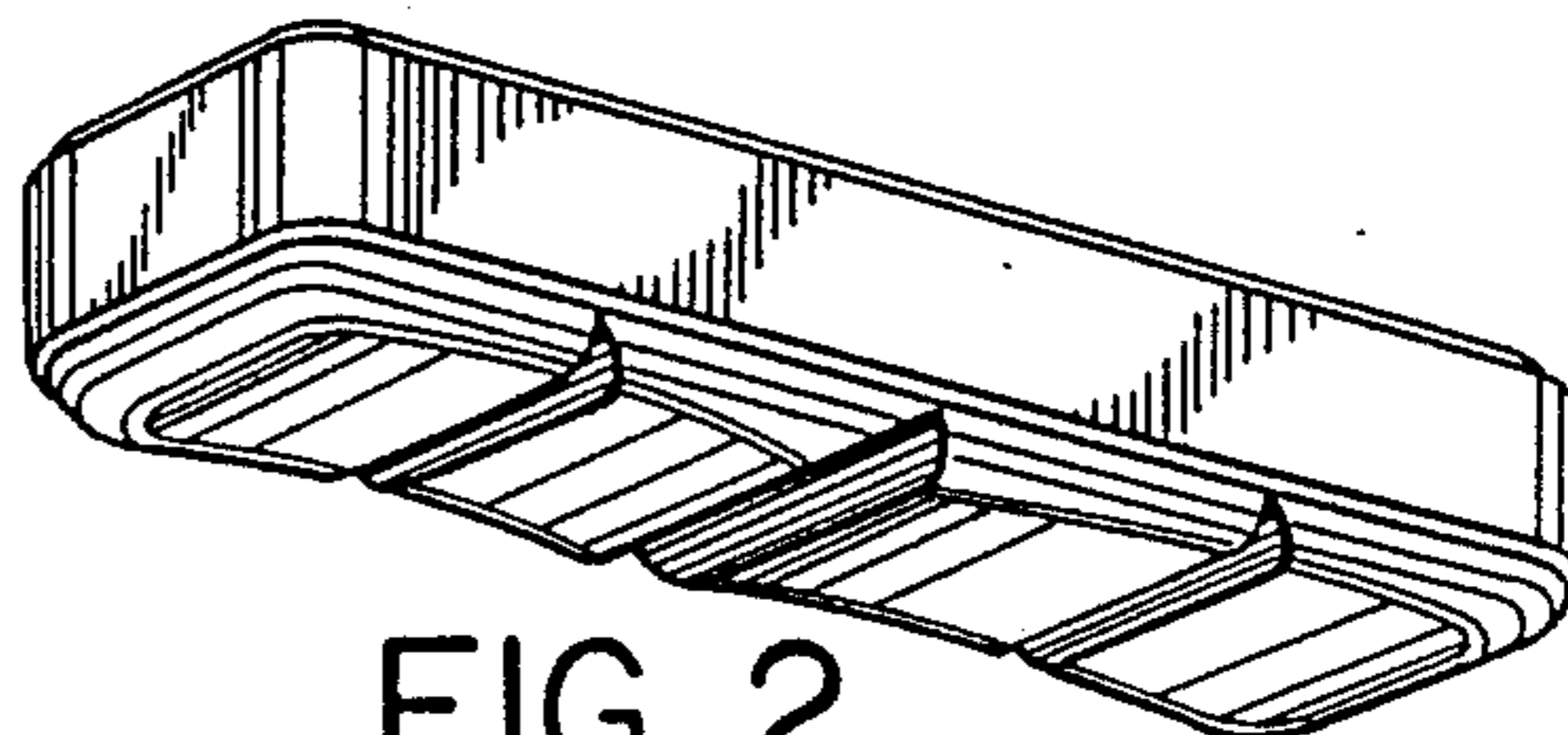


FIG. 2

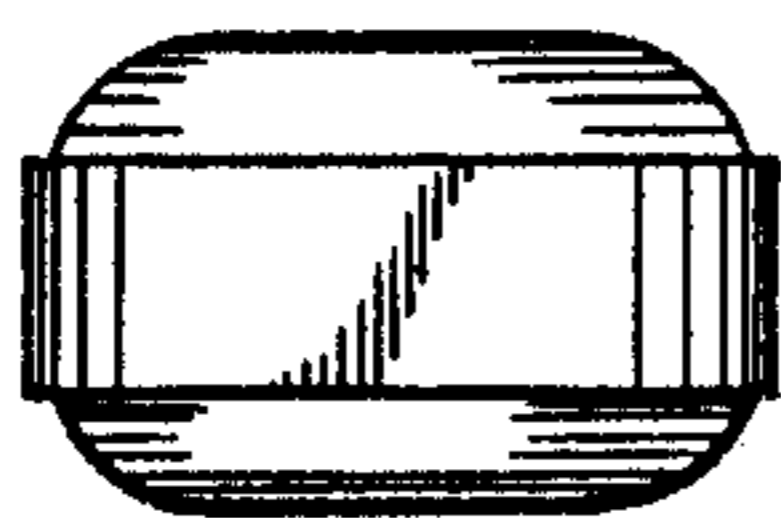


FIG. 6

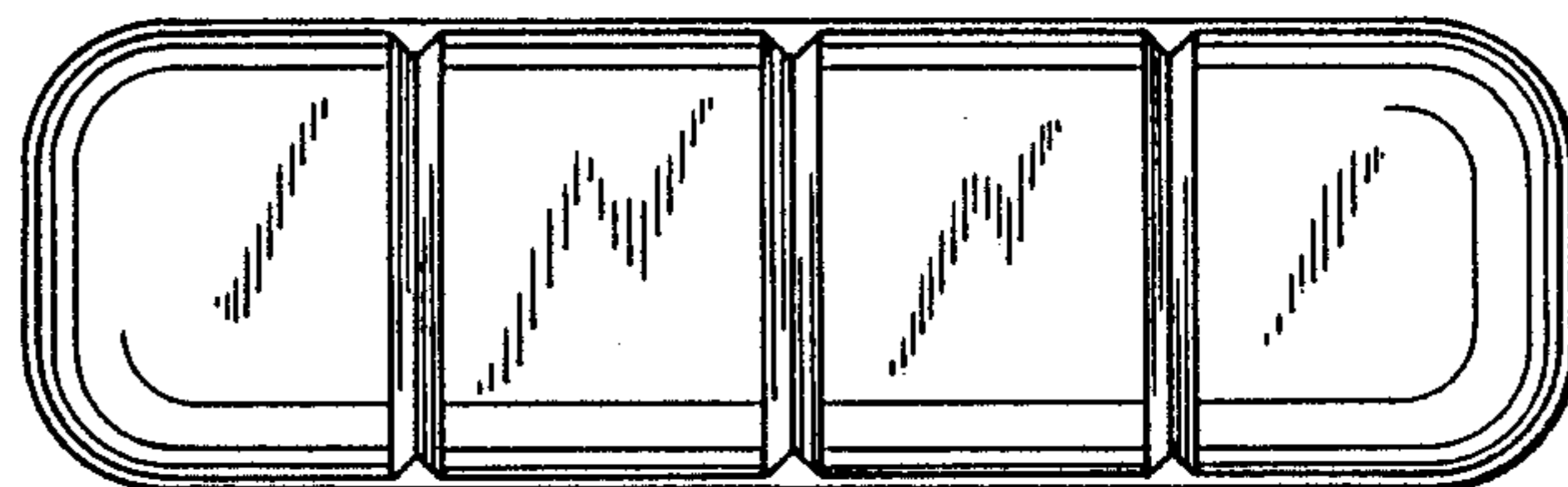


FIG. 3

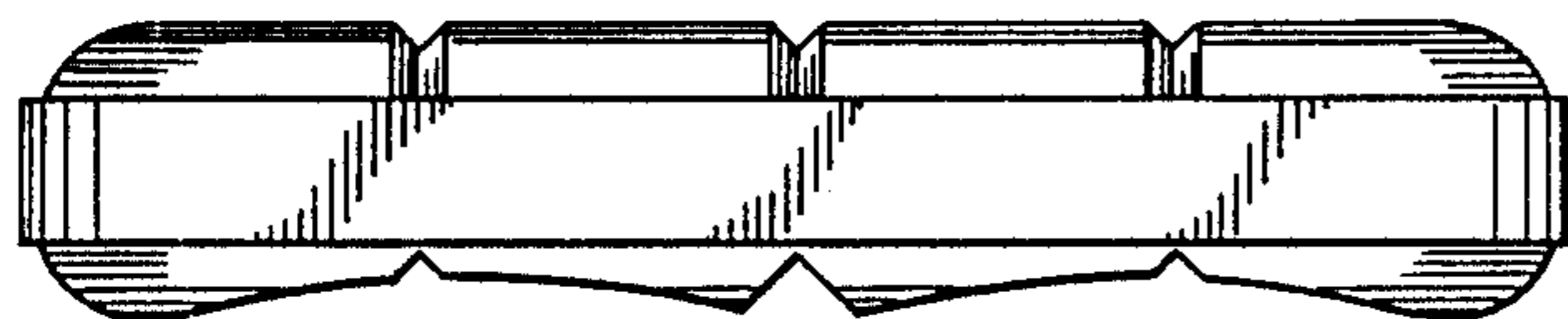


FIG. 5

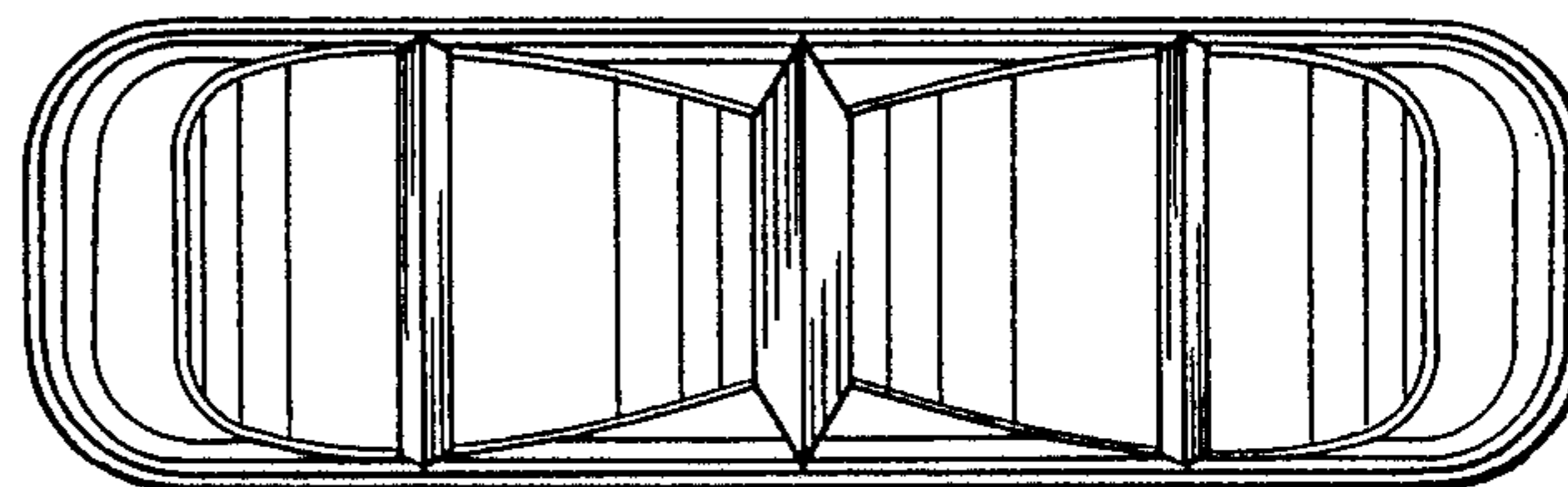


FIG. 4