

[54] **PORTABLE LAMP**

[75] **Inventor: Burton Trattner, Ringwood, N.J.**

[73] **Assignee: Harvey-Westbury Corp., Westbury, N.Y.**

[\*\*] **Term: 14 Years**

[21] **Appl. No.: 98,667**

[22] **Filed: Sep. 21, 1987**

[52] **U.S. Cl. .... D26/44**

[58] **Field of Search ..... D26/37-50;  
362/157-158, 183-188, 189-197, 198-208**

[56] **References Cited**

**U.S. PATENT DOCUMENTS**

D. 297,372	8/1988	Poon	.....	D26/44
D. 298,358	11/1988	Connolly	.....	D26/44
3,944,806	3/1976	Jones et al.	.....	362/191
4,052,610	10/1977	Sternlicht	.....	362/197 X

*Primary Examiner*—Susan J. Lucas  
*Assistant Examiner*—M. H. Tung  
*Attorney, Agent, or Firm*—Louis Weinstein

[57] **CLAIM**

The ornamental design for a portable lamp, as shown and described.

**DESCRIPTION**

FIG. 1 is a top-right perspective view of a portable lamp showing my new design, on an enlarged scale; FIG. 2 is a left-side elevational view thereof; FIG. 3 is a rear elevational view thereof; FIG. 4 is a right-side elevational view thereof; FIG. 5 is a front elevational view thereof; FIG. 6 is a top plan view thereof; FIG. 7 is a bottom plan view thereof; FIG. 8 is a top plan view thereof, the lamp housing pivoted out for clarity of illustration; FIG. 9 is a left-side elevation view thereof, as seen from FIG. 8.

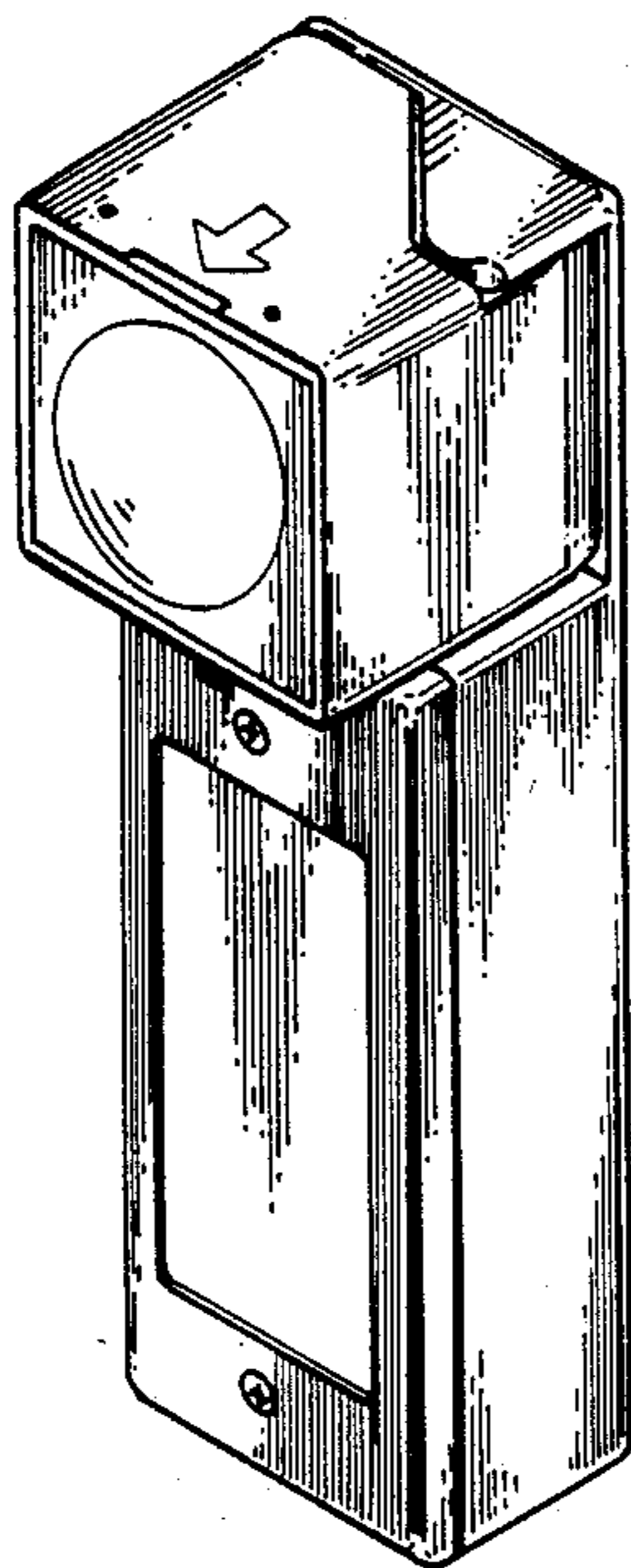


FIG. 1

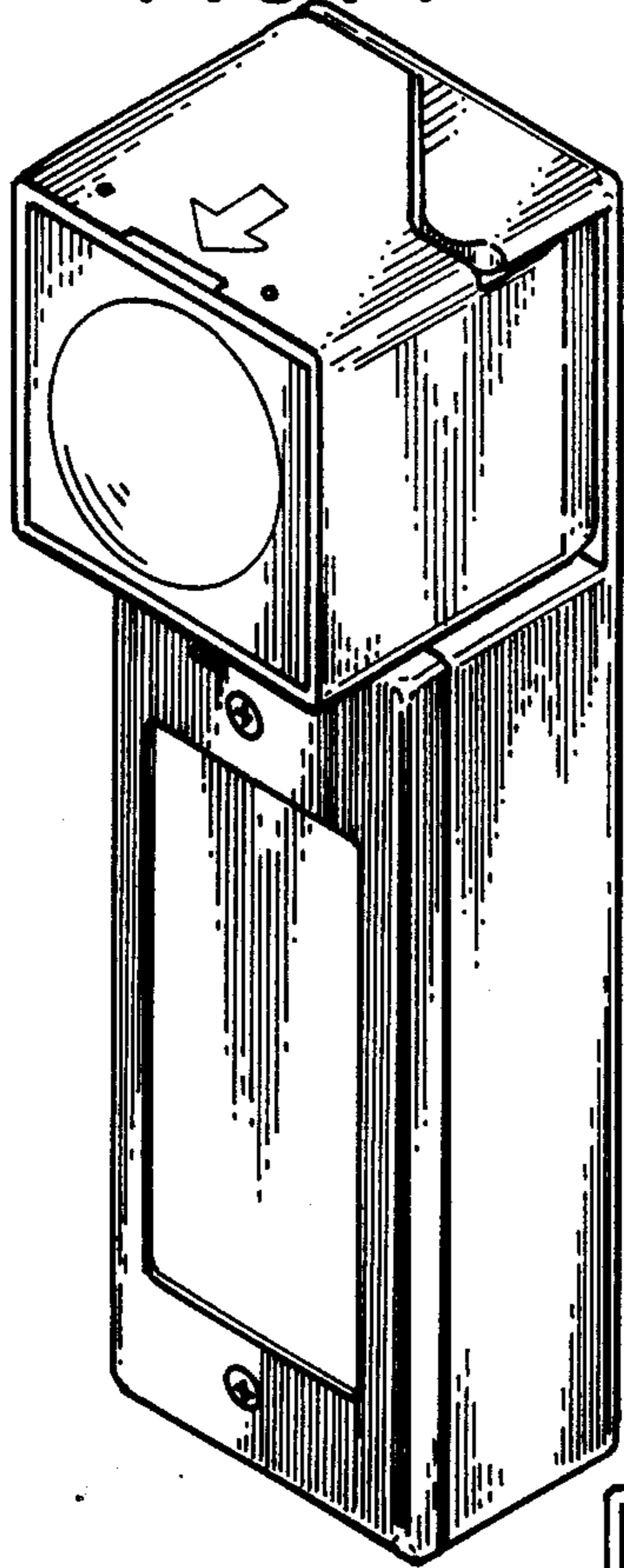


FIG. 2

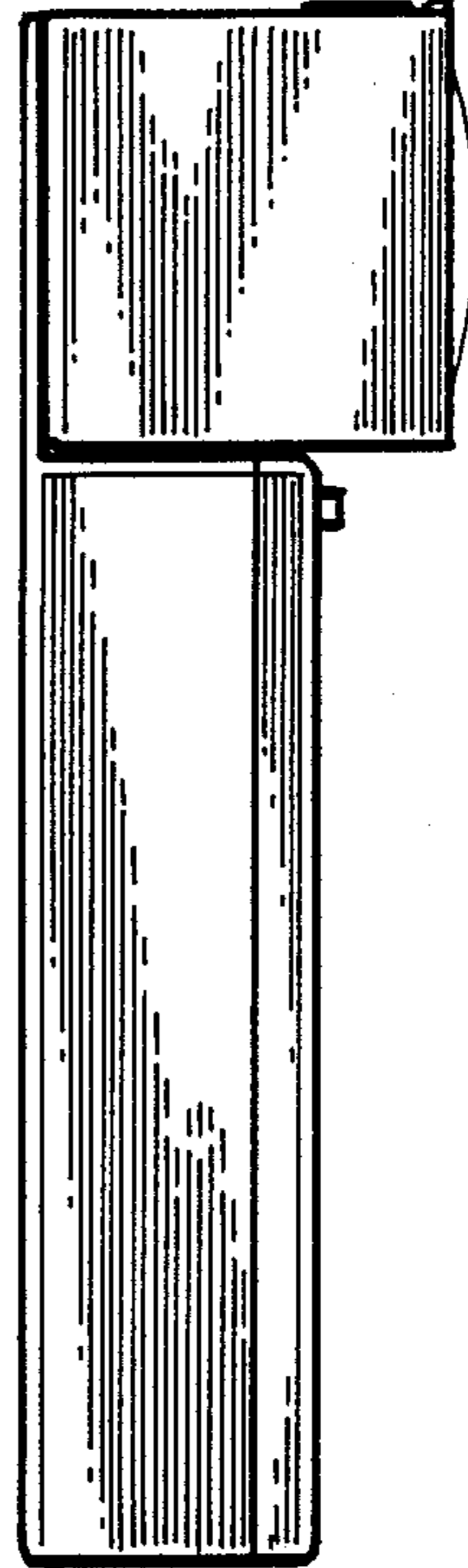


FIG. 3

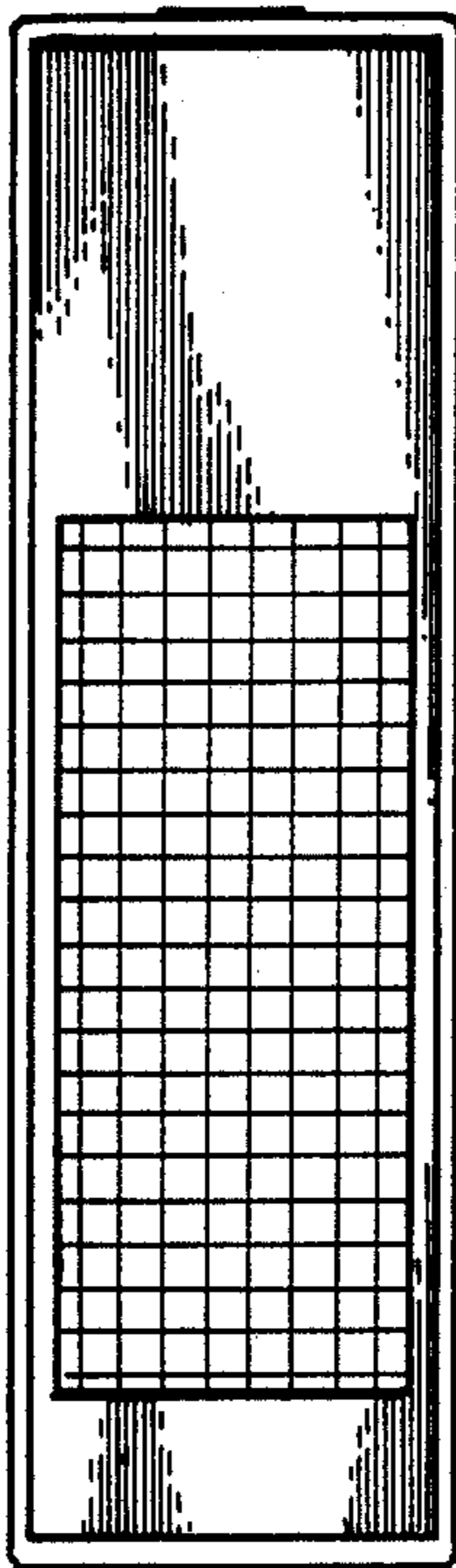
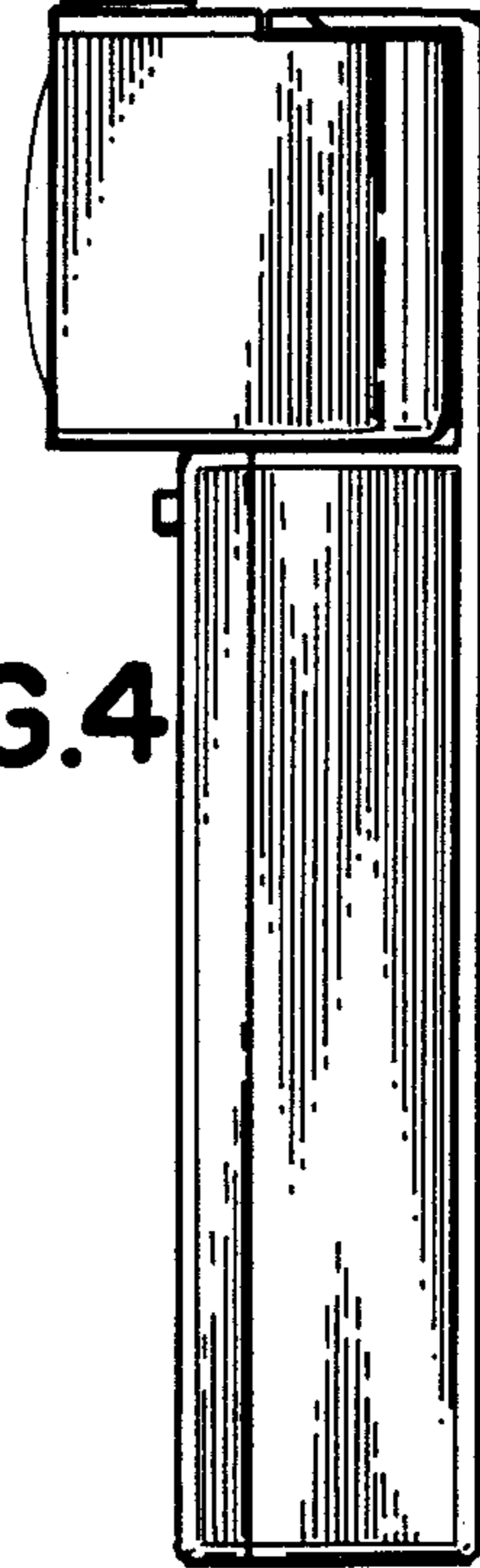


FIG. 4



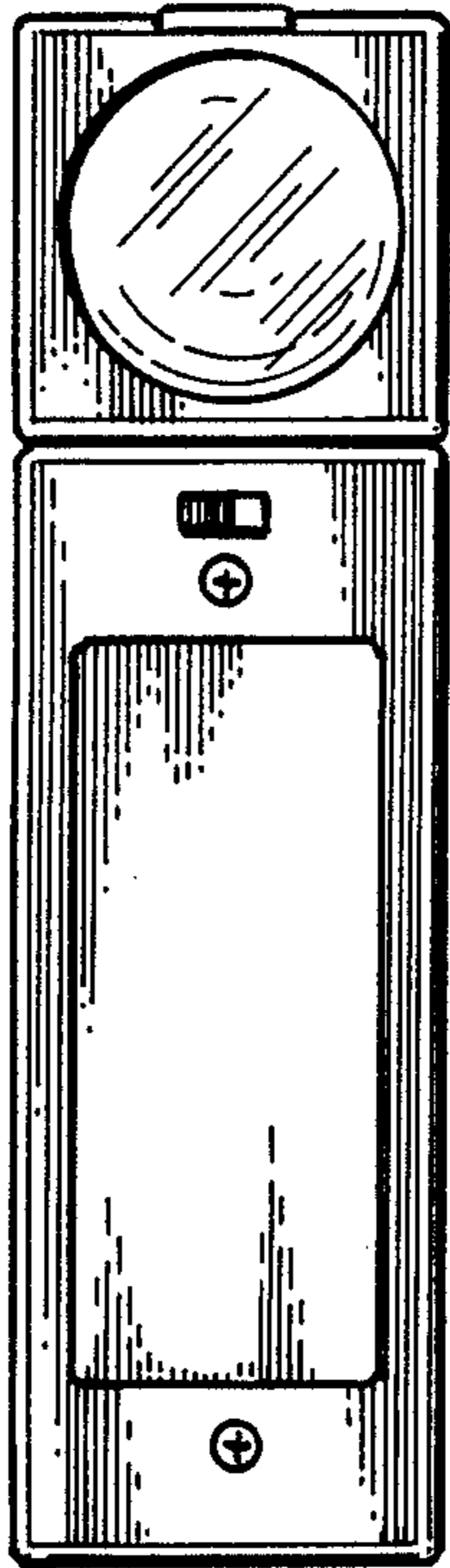


FIG. 5

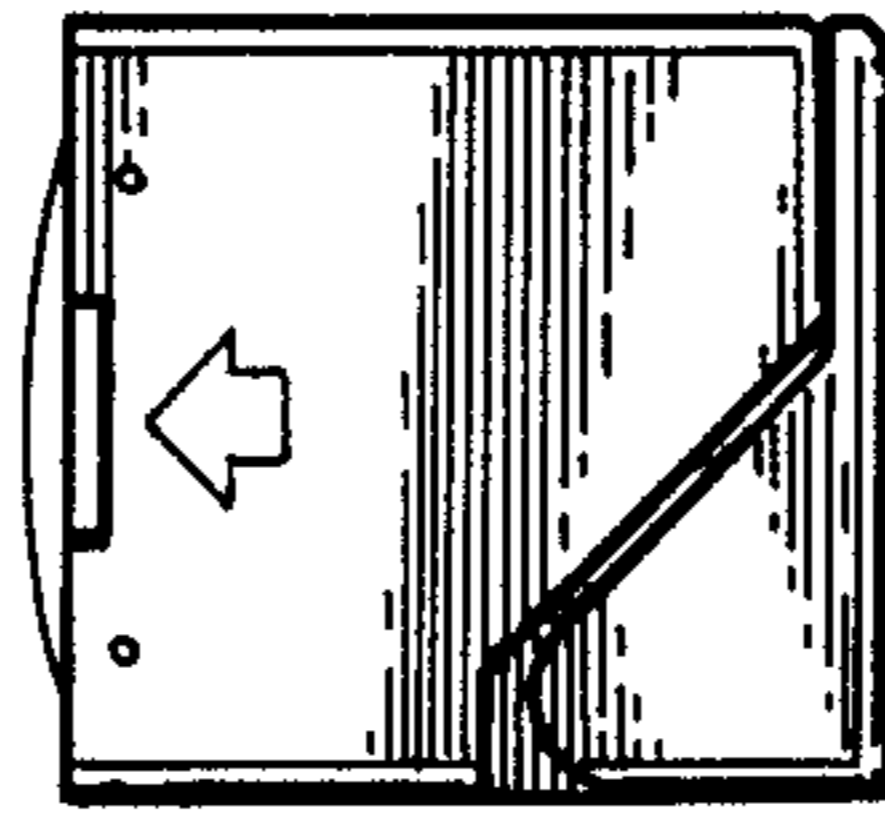


FIG. 6

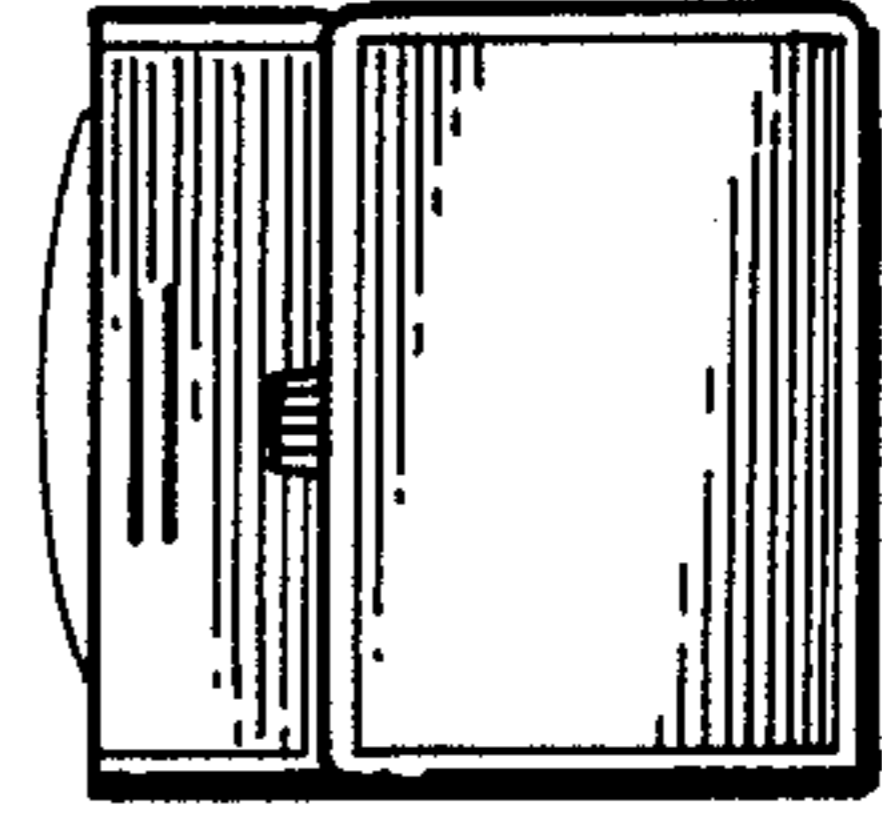


FIG. 7

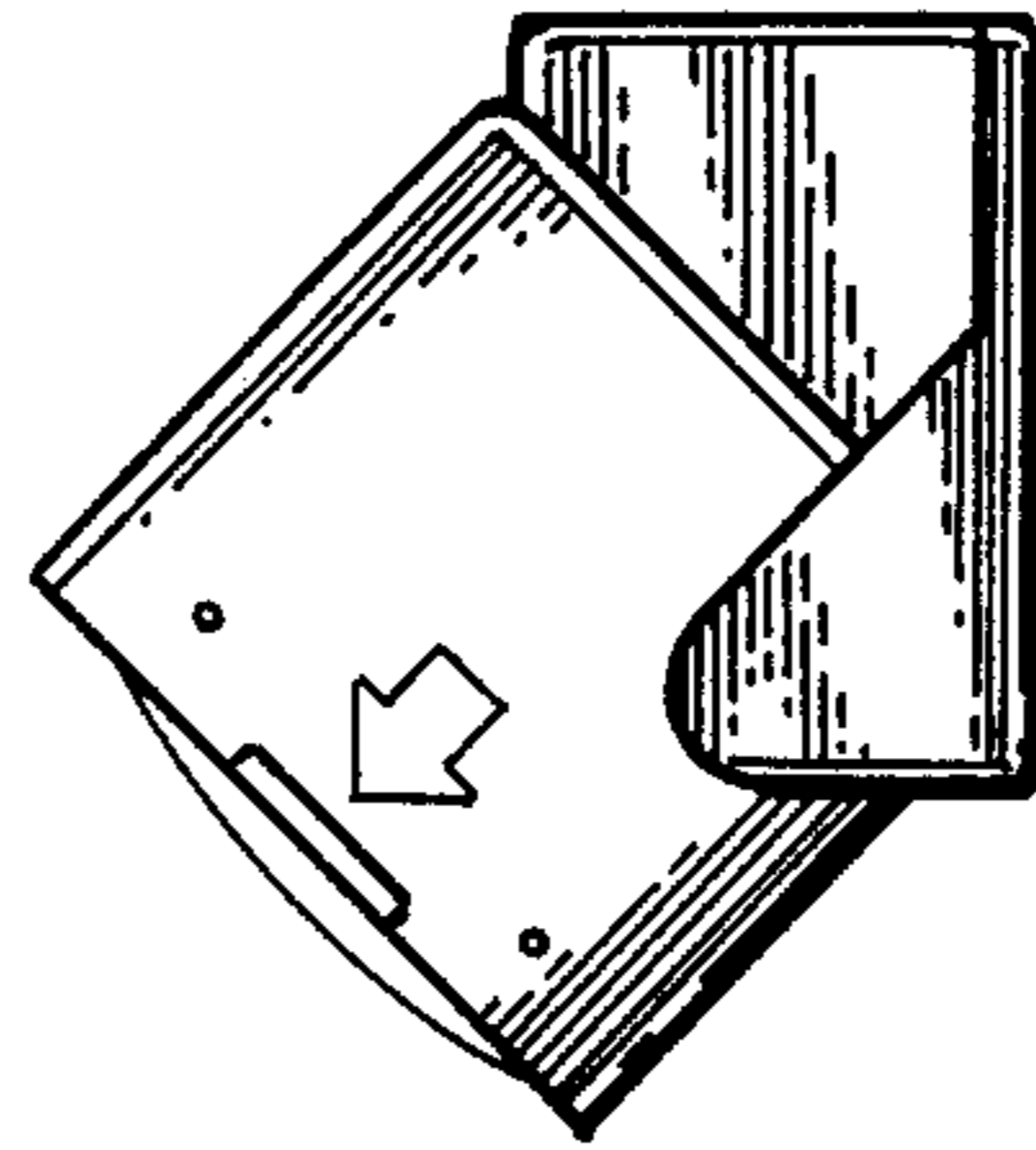


FIG. 8

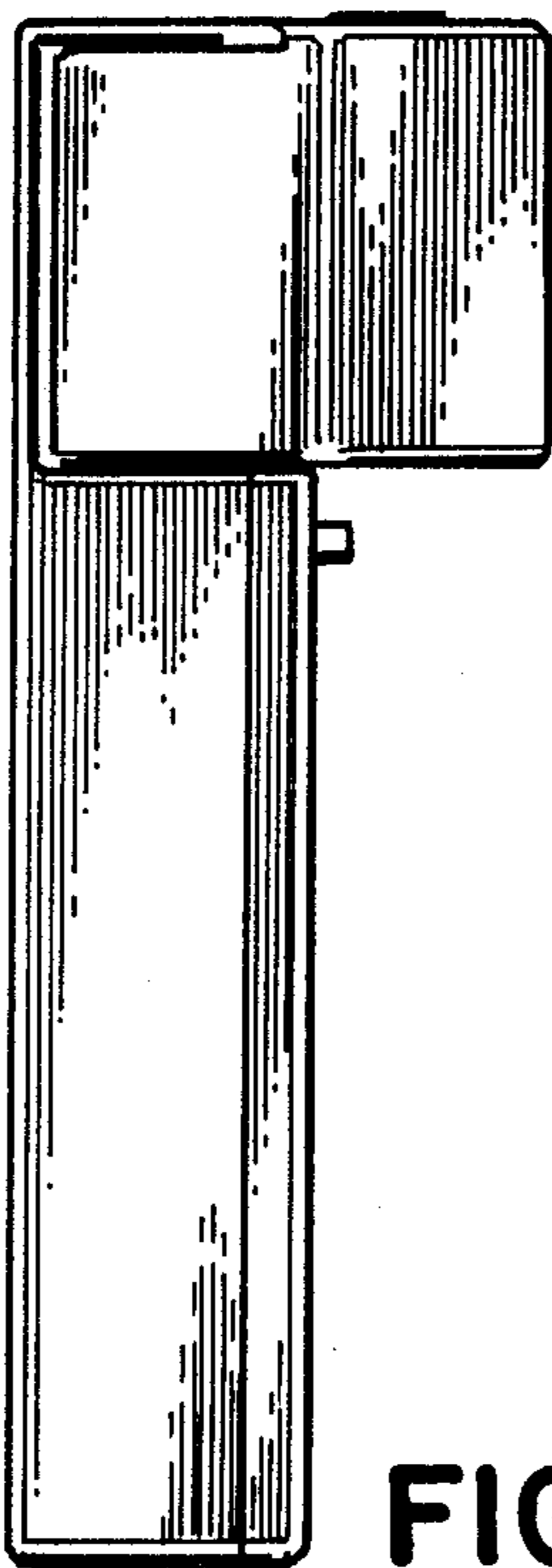


FIG. 9