

United States Patent [19]

Reisinger et al.

[11] Patent Number: **Des. 310,572**

[45] Date of Patent: **** Sep. 11, 1990**

[54] **WINDOW COMPONENT EXTRUSION**

[75] Inventors: **Ludwig Reisinger, McPherson; Dennis Westphal, Galva; Jonathan Piles, McPherson, all of Kans.**

[73] Assignee: **CertainTeed Corporation, Valley Forge, Pa.**

[*] Notice: **The portion of the term of this patent subsequent to Mar. 21, 2003 has been disclaimed.**

[**] Term: **14 Years**

[21] Appl. No.: **91,704**

[22] Filed: **Sep. 1, 1987**

[52] U.S. Cl. **D25/119**

[58] Field of Search **D25/47, 52, 60, 119, D25/124; 49/501, 504, DIG. 1, DIG. 2; 52/203, 204, 730, 732, 738**

[56] **References Cited**

U.S. PATENT DOCUMENTS

- D. 216,955 3/1970 Dallaire .
- D. 222,932 2/1972 Dallaire .

- D. 225,219 11/1972 Dallaire et al. .
- D. 226,904 5/1973 Dallaire et al. .
- D. 258,615 3/1981 Dallaire .
- D. 258,619 3/1981 Dallaire .
- D. 259,810 7/1981 Dallaire .
- D. 263,753 4/1982 Dallaire .
- D. 263,754 4/1982 Dallaire .
- D. 263,755 4/1982 Dallaire .
- D. 266,949 11/1982 Goldhaber .
- D. 283,349 4/1986 Slocomb, Jr. .
- 3,363,390 1/1968 Crane et al. .
- 3,475,870 11/1969 Birum, Jr. .
- 4,040,219 8/1977 Budich .
- 4,110,942 9/1978 Slocomb, Jr. .

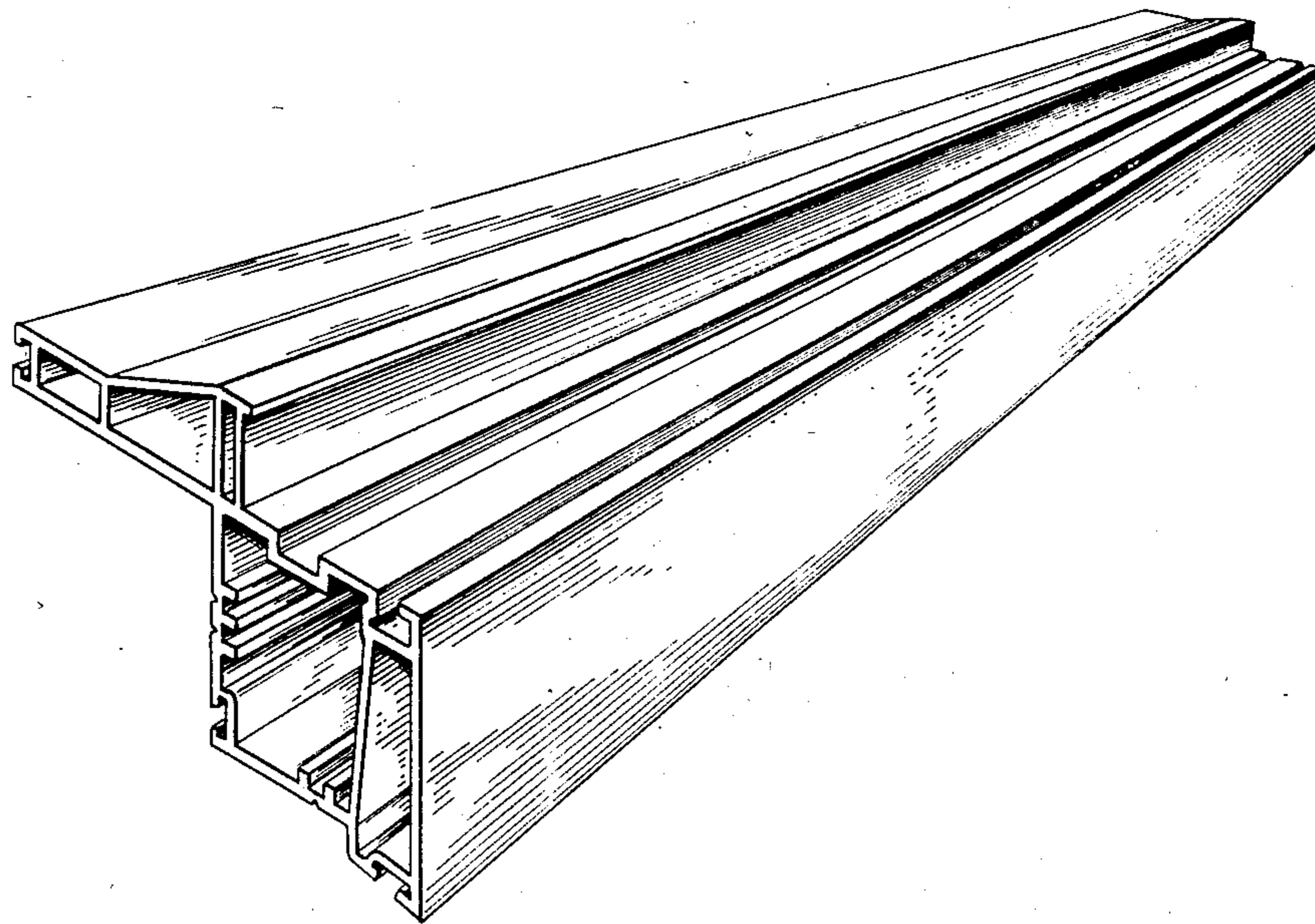
Primary Examiner—A. Hugo Word
Assistant Examiner—Doris Clark
Attorney, Agent, or Firm—Paul & Paul

[57] **CLAIM**

The ornamental design for a window component extrusion, as shown and described.

DESCRIPTION

FIG. 1 is a perspective view of a window component extrusion showing our new design; and, FIG. 2 is an end elevational view thereof.



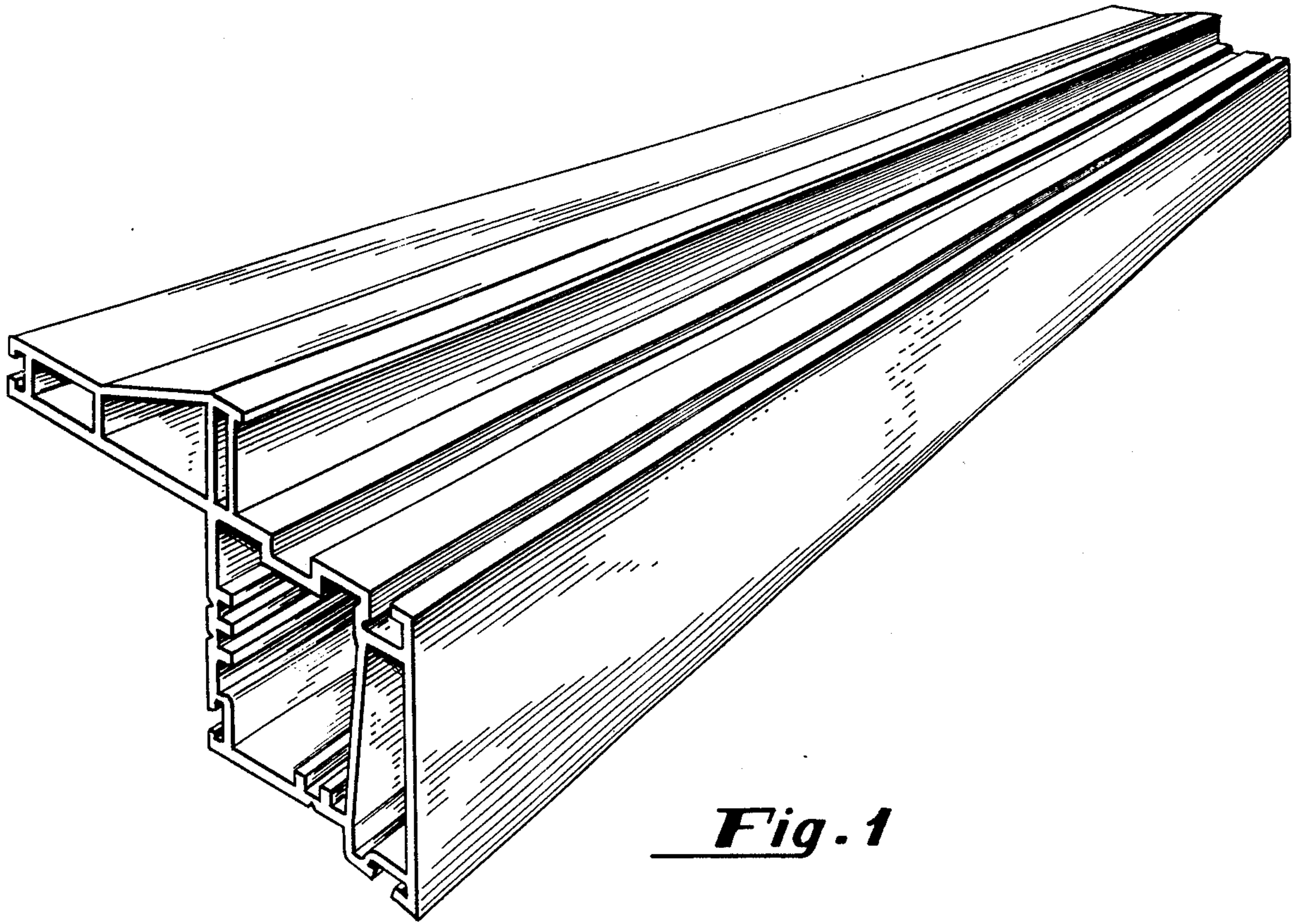


Fig. 1

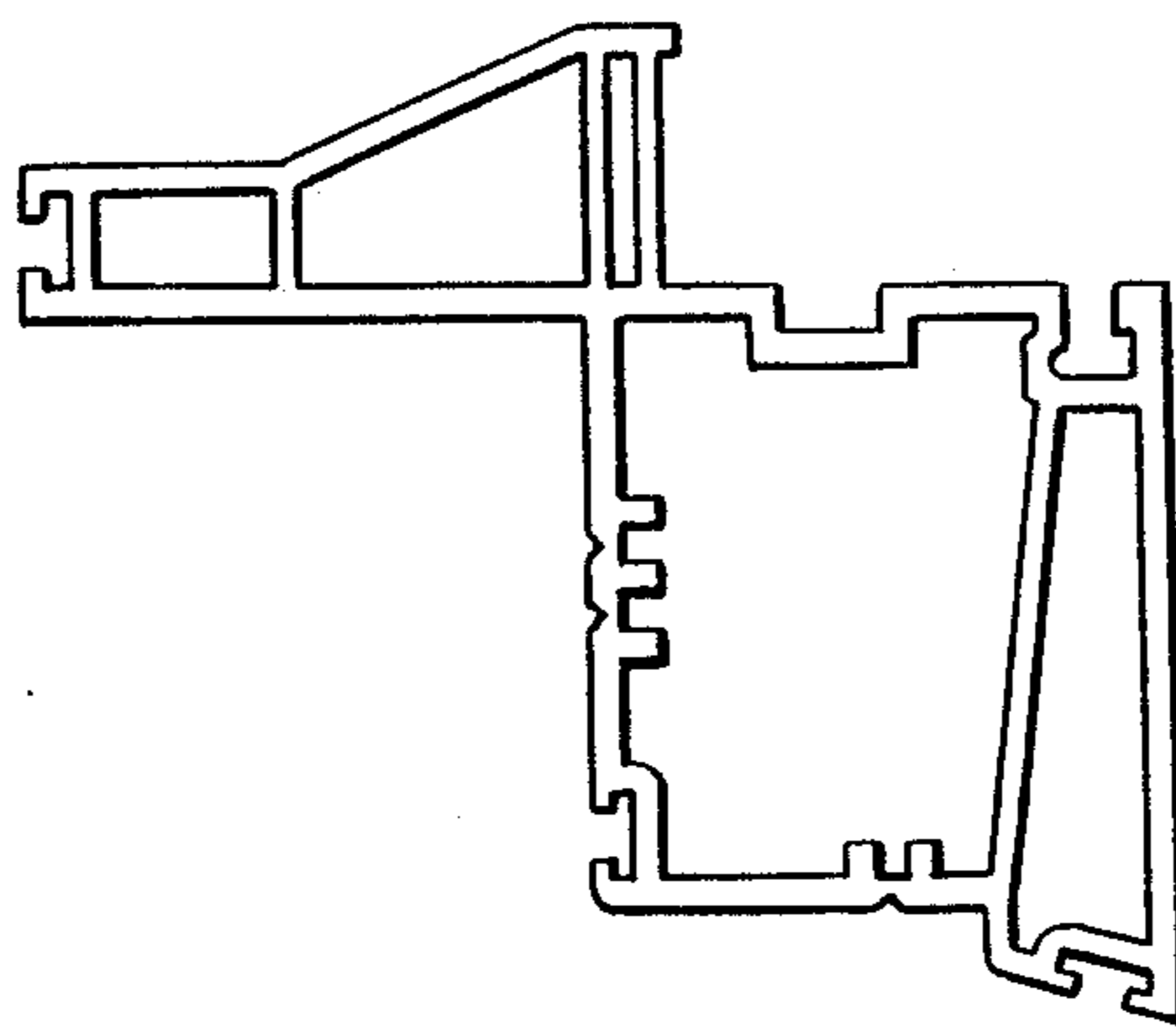


Fig. 2