

[54] PORTABLE INTRAVENOUS POLE

4,511,157 4/1985 Wilt, Jr. .... 248/125 X

[76] Inventor: James A. Wells, 2401 Miriam, Arlington, Tex. 76010

Primary Examiner—A. Hugo Word  
Assistant Examiner—Stella M. Reid

[\*\*] Term: 14 Years

[57] CLAIM

[21] Appl. No.: 153,650

The ornamental design for a portable intravenous pole, as shown.

[22] Filed: Feb. 8, 1988

[52] U.S. Cl. .... D24/51

[58] Field of Search ..... D24/51, 52; 248/125, 248/129, 145.6, 161, 229, 311.3, 318, 411, 431

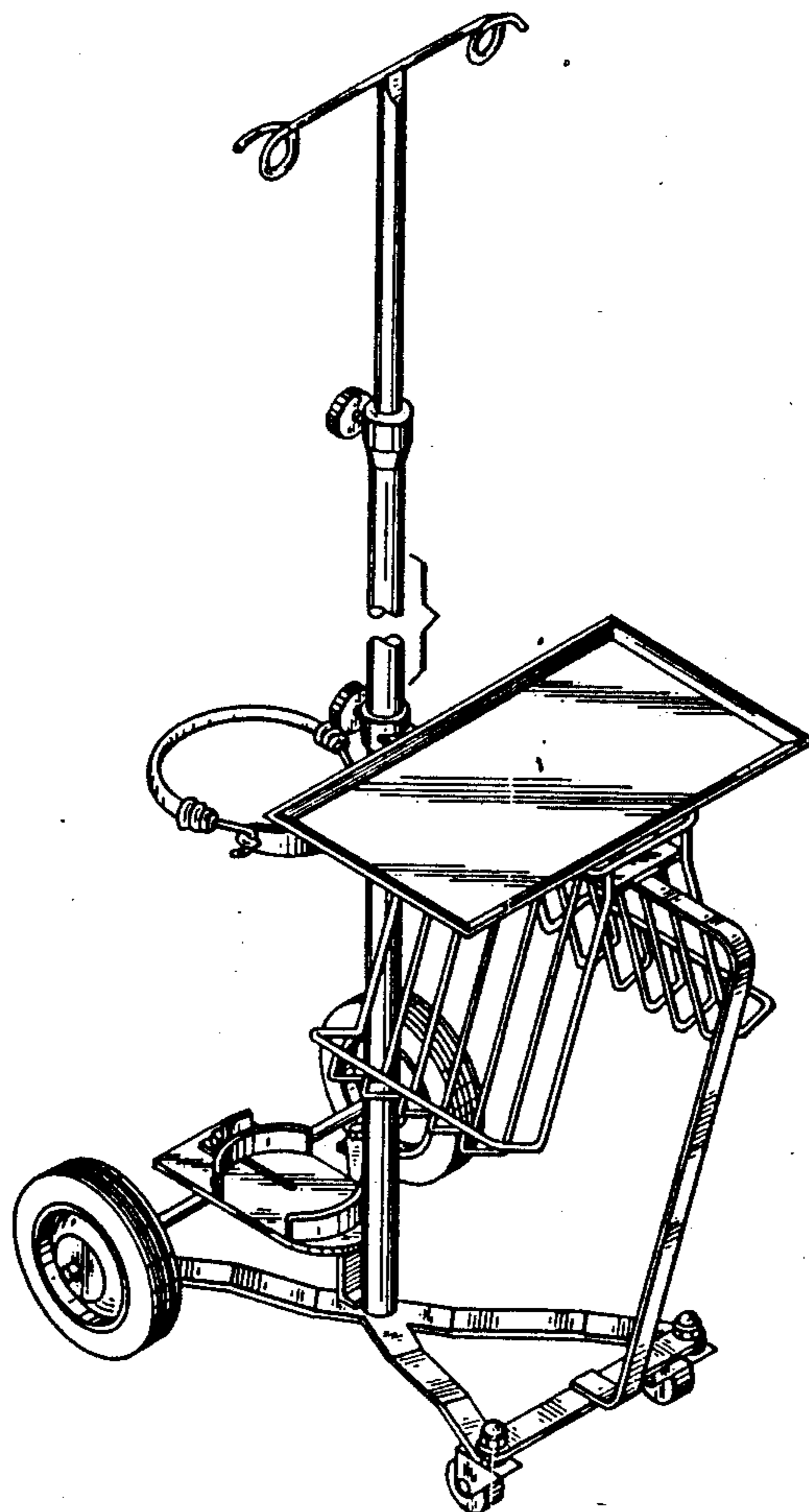
DESCRIPTION

[56] References Cited

U.S. PATENT DOCUMENTS

- D. 260,816 9/1981 Zissimopoulos et al. .... D24/52 X
- 4,332,378 6/1982 Pryor ..... 248/125 X

FIG. 1 is a perspective view of a portable intravenous pole, showing my new design;  
 FIG. 2 is a front elevational view thereof;  
 FIG. 3 is a side elevational view thereof;  
 FIG. 4 is a rear elevational view thereof;  
 FIG. 5 is a bottom plan view thereof; and  
 FIG. 6 is a top plan view thereof.



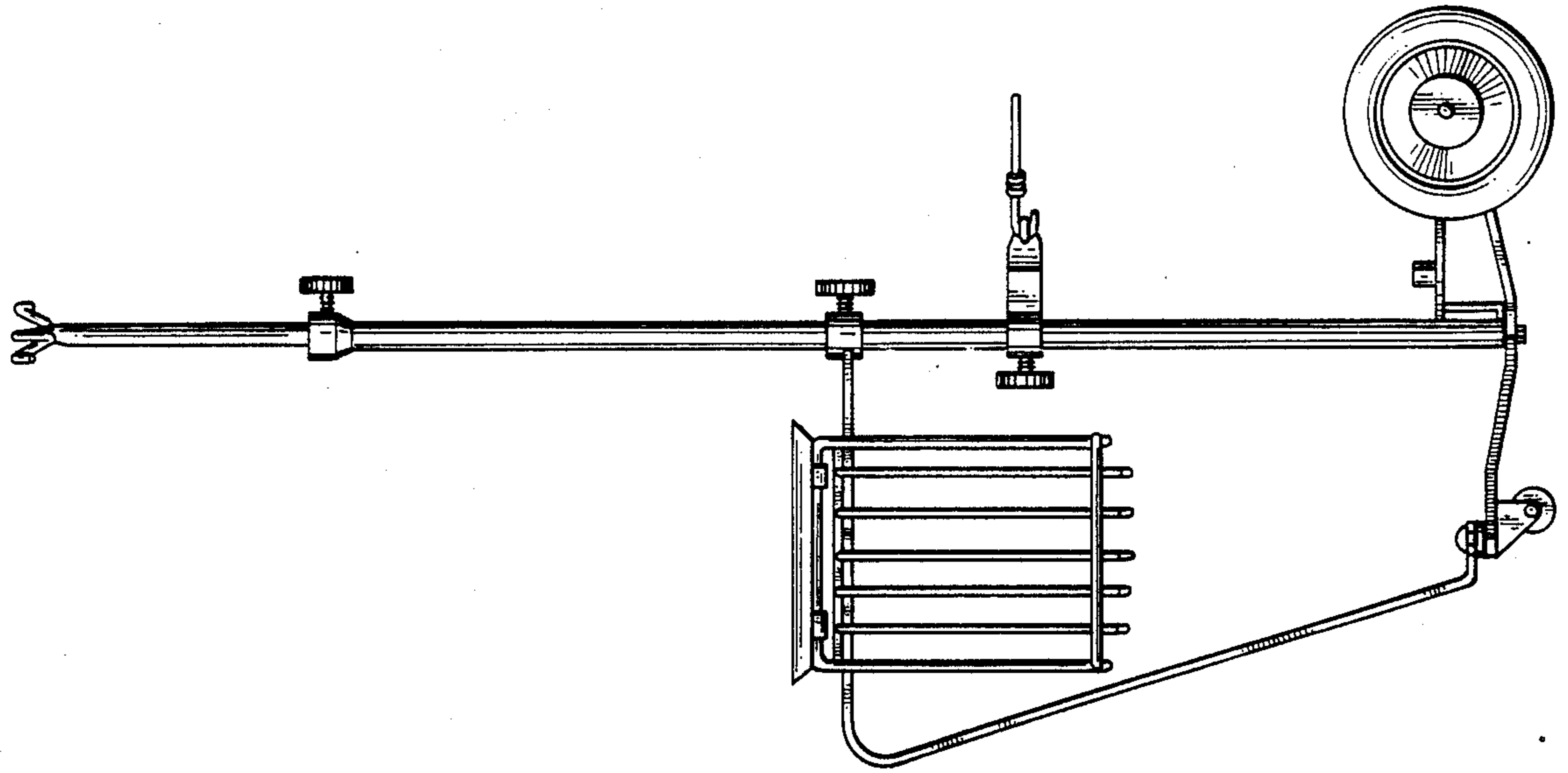


FIG. 3

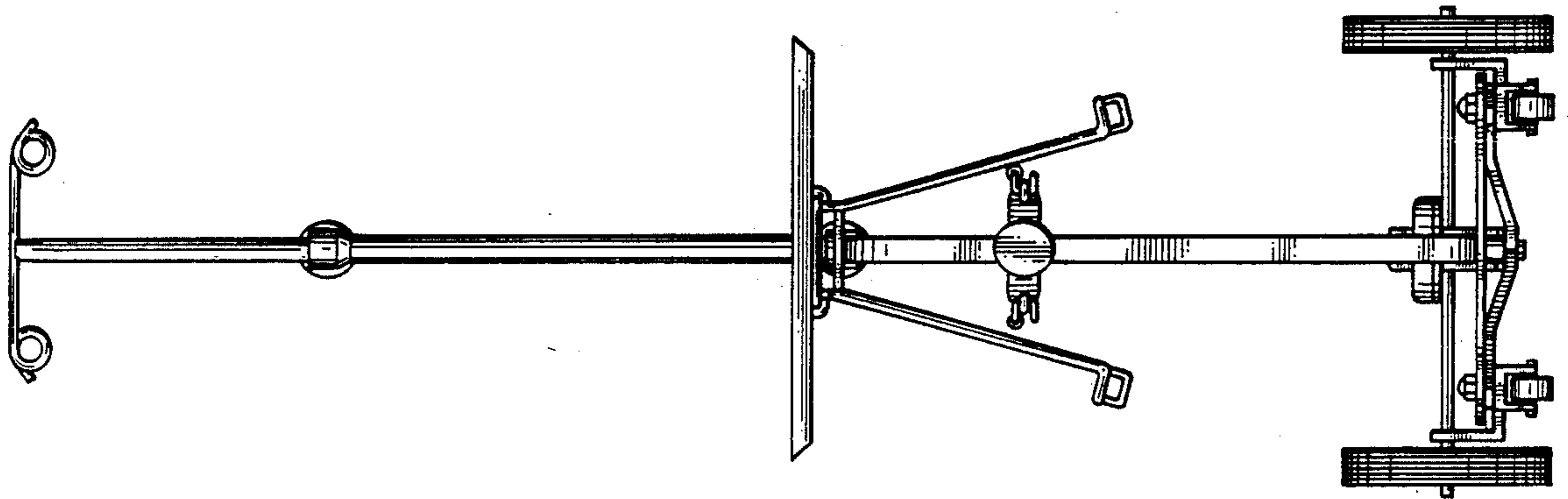


FIG. 2

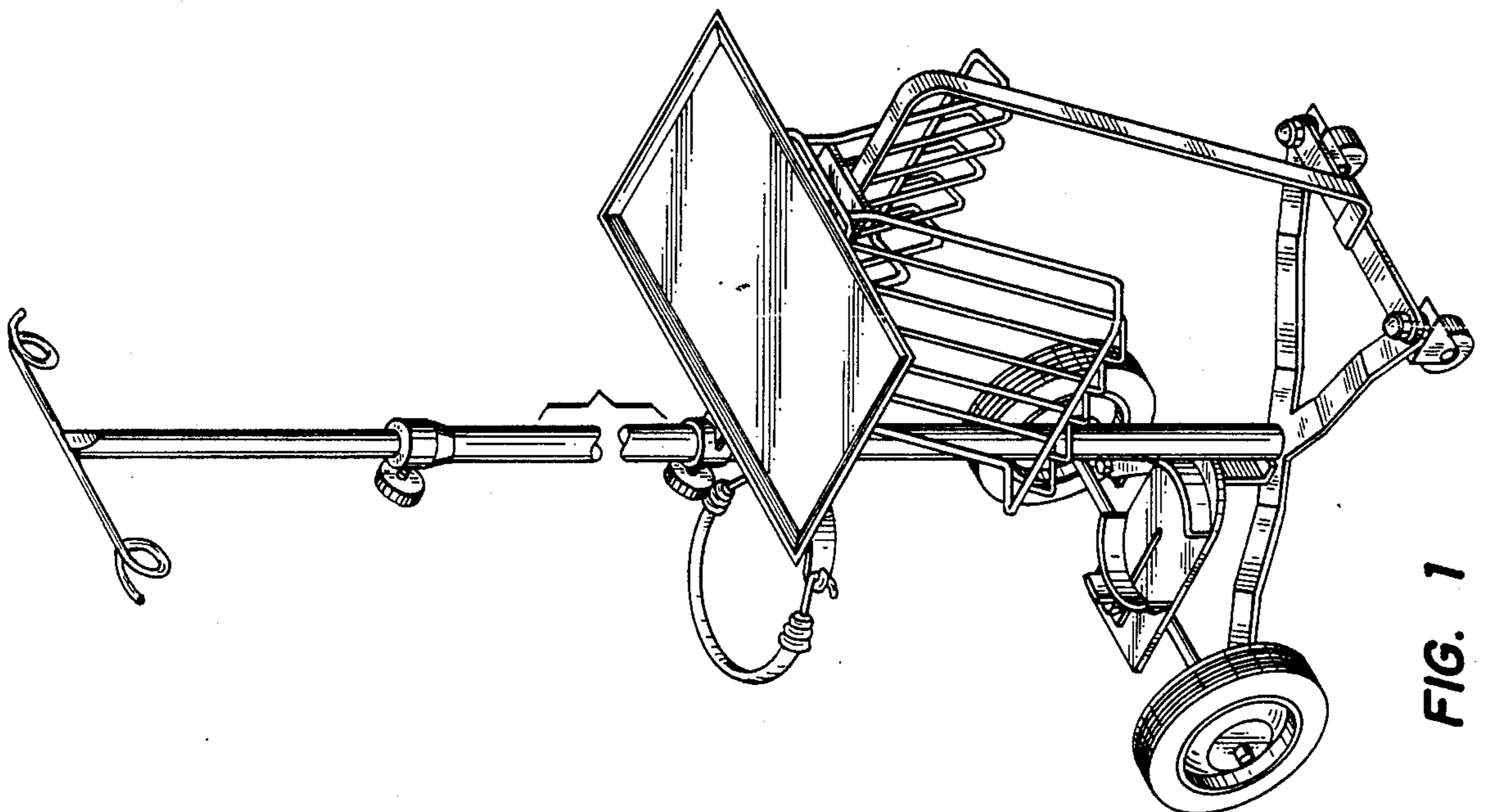


FIG. 1

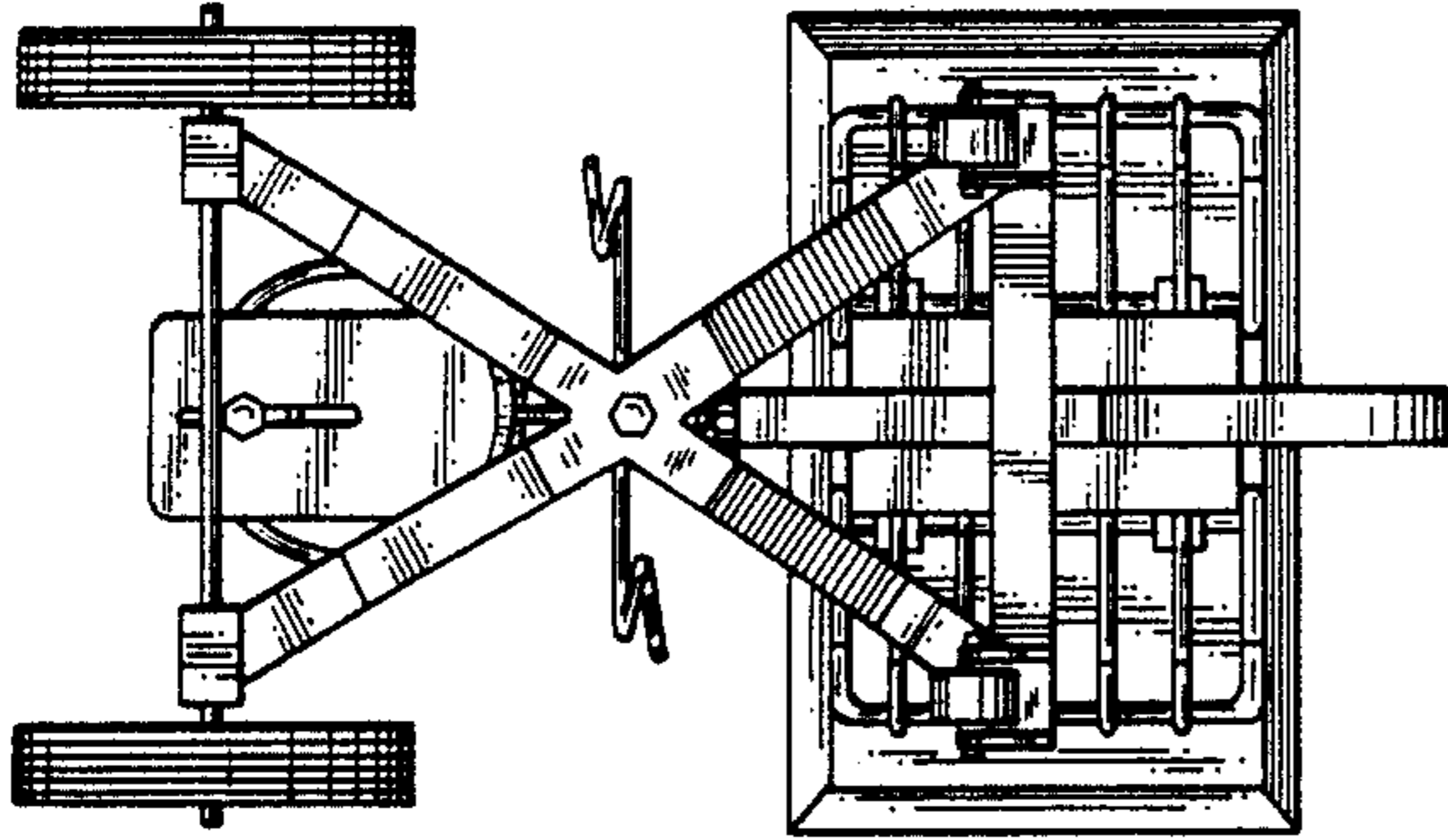


FIG. 5

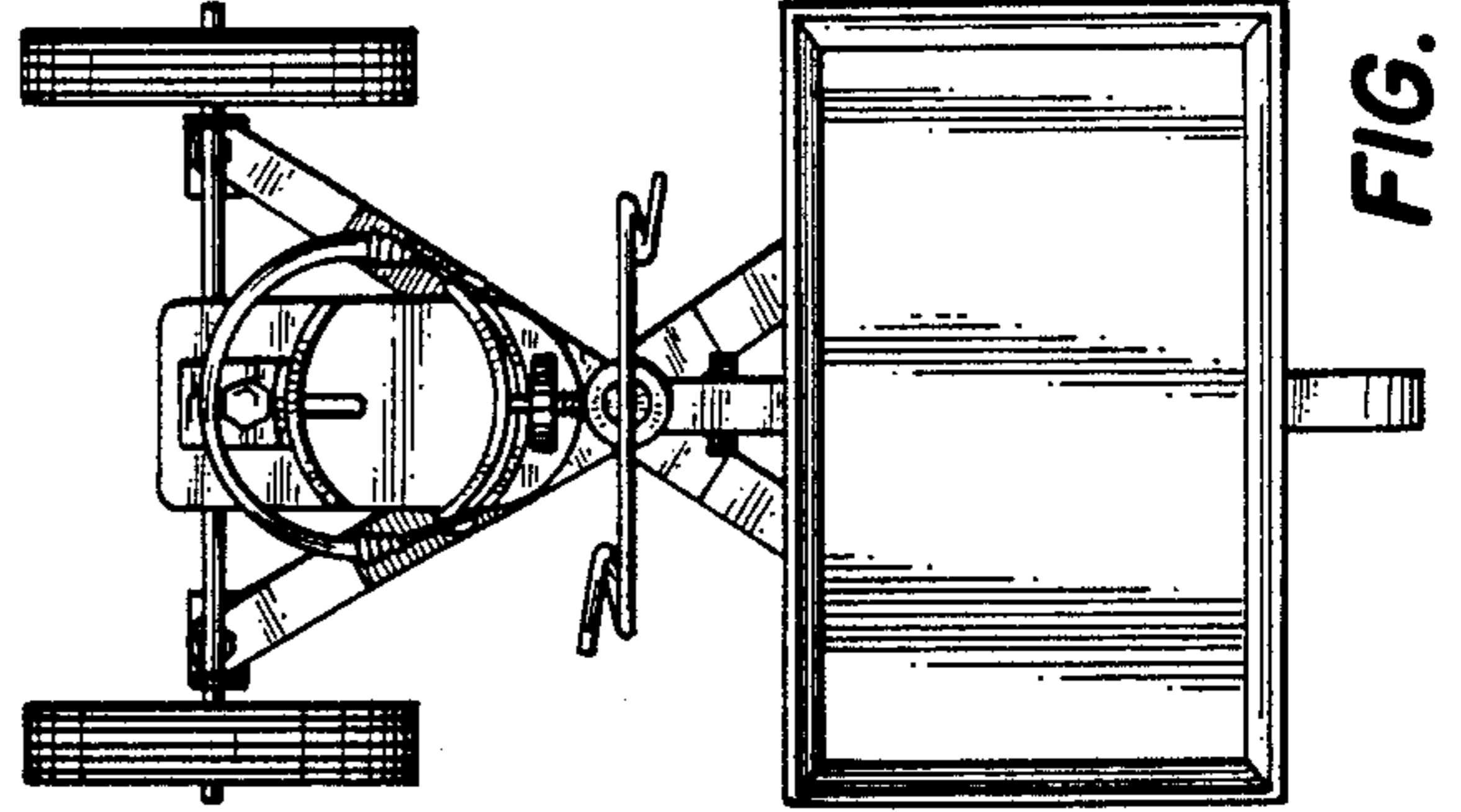


FIG. 6

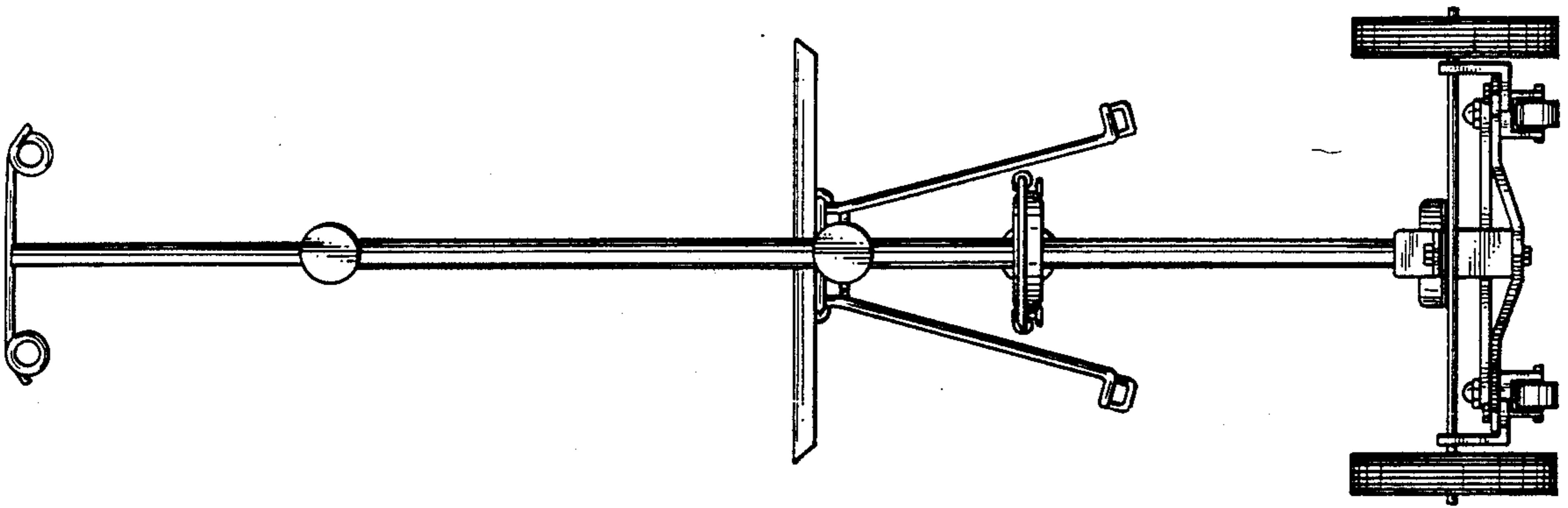


FIG. 4