

[54] WHIRLPOOL BATHTUB

[75] Inventor: Remo C. Jacuzzi, Little Rock, Ark.

[73] Assignee: Jason Internaltion, Inc., Little Rock, Ark.

[**] Term: 14 Years

[21] Appl. No.: 83,088

[22] Filed: Aug. 10, 1987

[52] U.S. Cl. D24/38

[58] Field of Search D24/38; 4/506, 513, 4/541, 542, 543, 590, 592; D23/277, 280

[56] References Cited

U.S. PATENT DOCUMENTS

- D. 251,016 2/1979 Stangle D24/38
- D. 254,571 3/1980 Reineman D24/38
- D. 255,383 6/1980 Beebe et al. D24/38
- D. 271,137 10/1983 Kohler, Jr. et al. D24/38

OTHER PUBLICATIONS

1981 Sweet's Catalog File-Products for General Bldg., Dual Emperor item, section 13.4 c/A/c, p. 3.

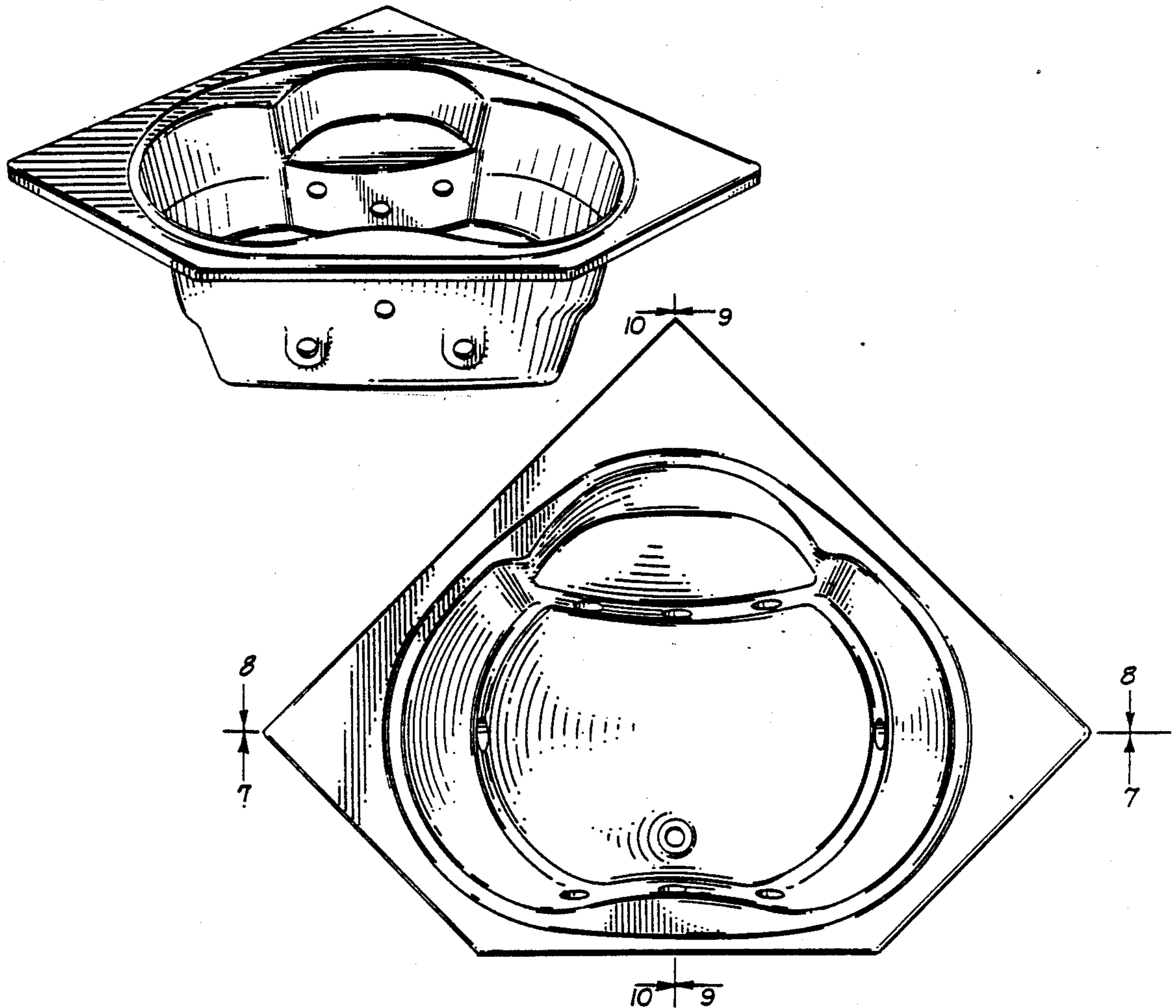
Primary Examiner—A. Hugo Word
Assistant Examiner—Stella M. Reid
Attorney, Agent, or Firm—Fidelman & Wolffe

[57] CLAIM

The ornamental design for a whirlpool bathtub, as shown and described.

DESCRIPTION

FIG. 1 is a front perspective view of a whirlpool bathtub, showing my new design;
 FIG. 2 is a top plan view thereof;
 FIG. 3 is a front elevational view thereof;
 FIG. 4 is a side elevational view thereof;
 FIG. 5 is a rear elevational view thereof;
 FIG. 6 is a bottom plan view thereof;
 FIG. 7 is a cross-sectional view taken along line 7—7 of FIG. 2;
 FIG. 8 is a cross-sectional view taken along lien 8—8 of FIG. 2;
 FIG. 9 is a cross-sectional view taken along line 9—9 of FIG. 2; and
 FIG. 10 is a cross-sectional view taken along line 10—10 of FIG. 2.



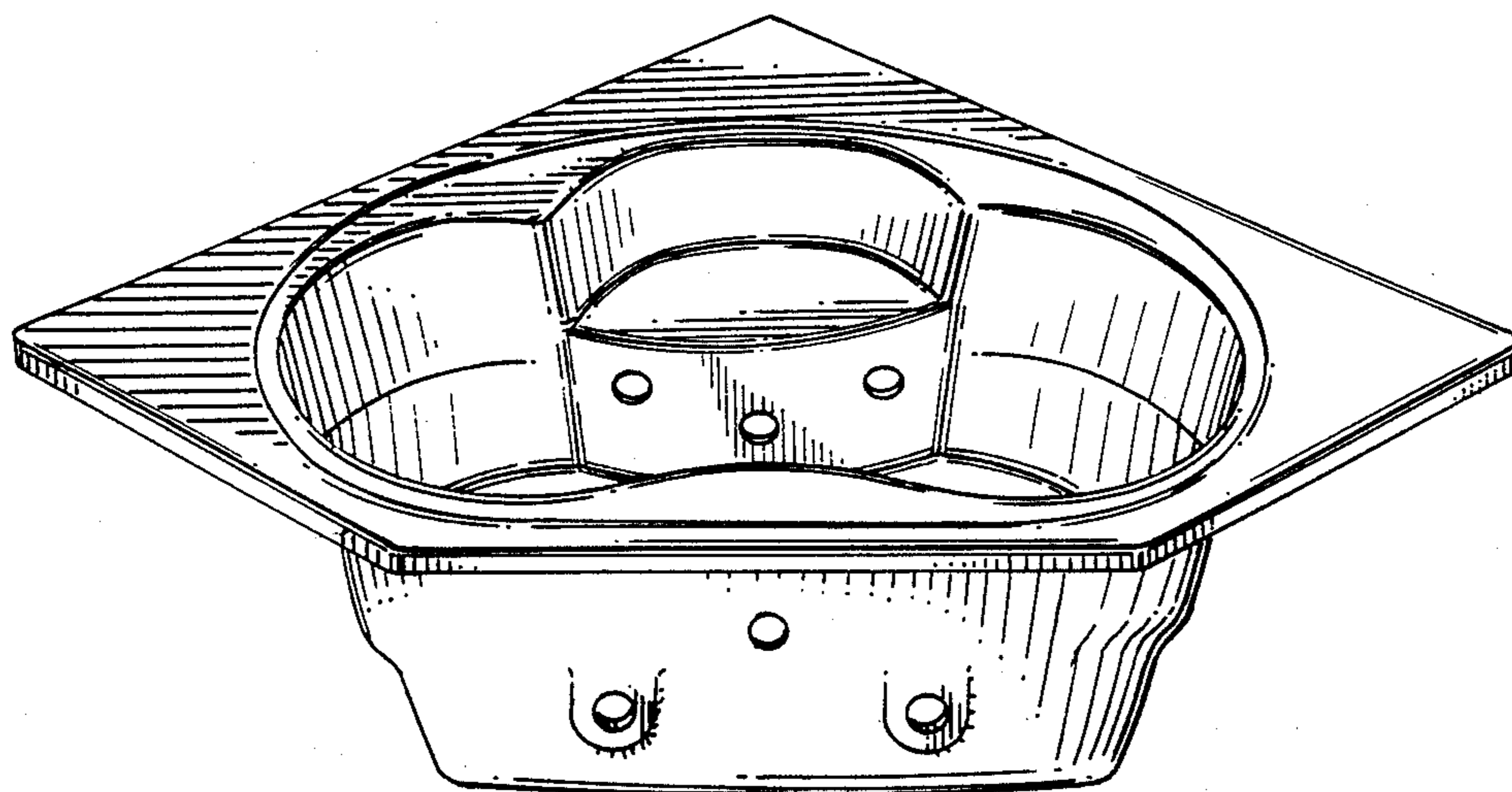


fig. 1

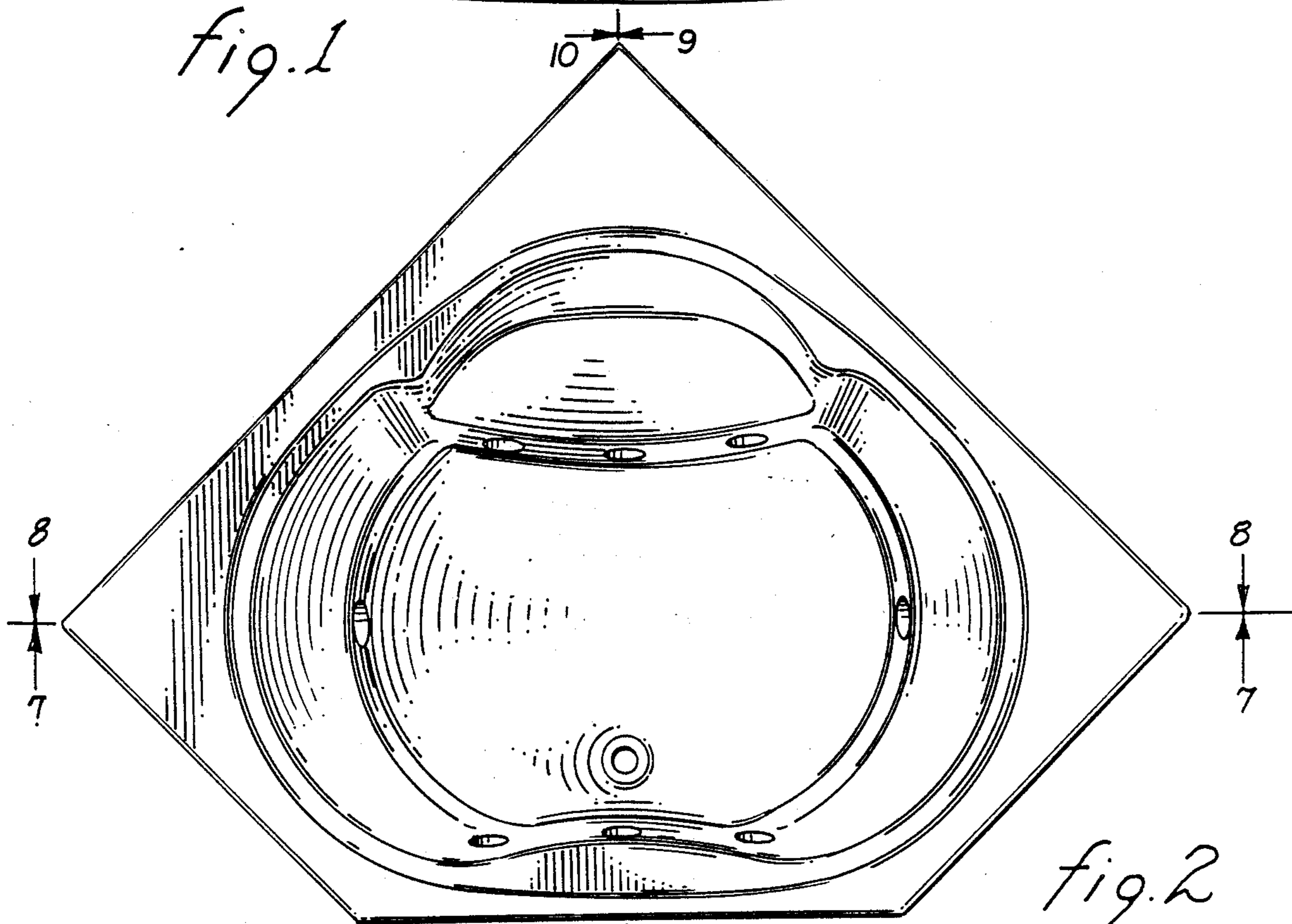


fig. 2

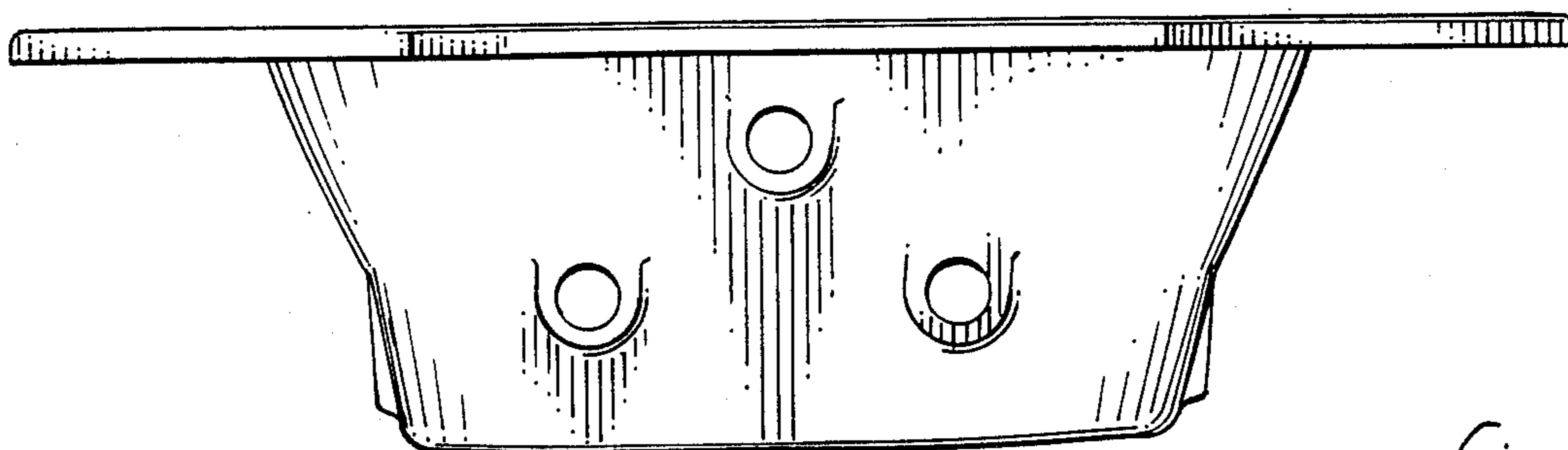


fig. 3

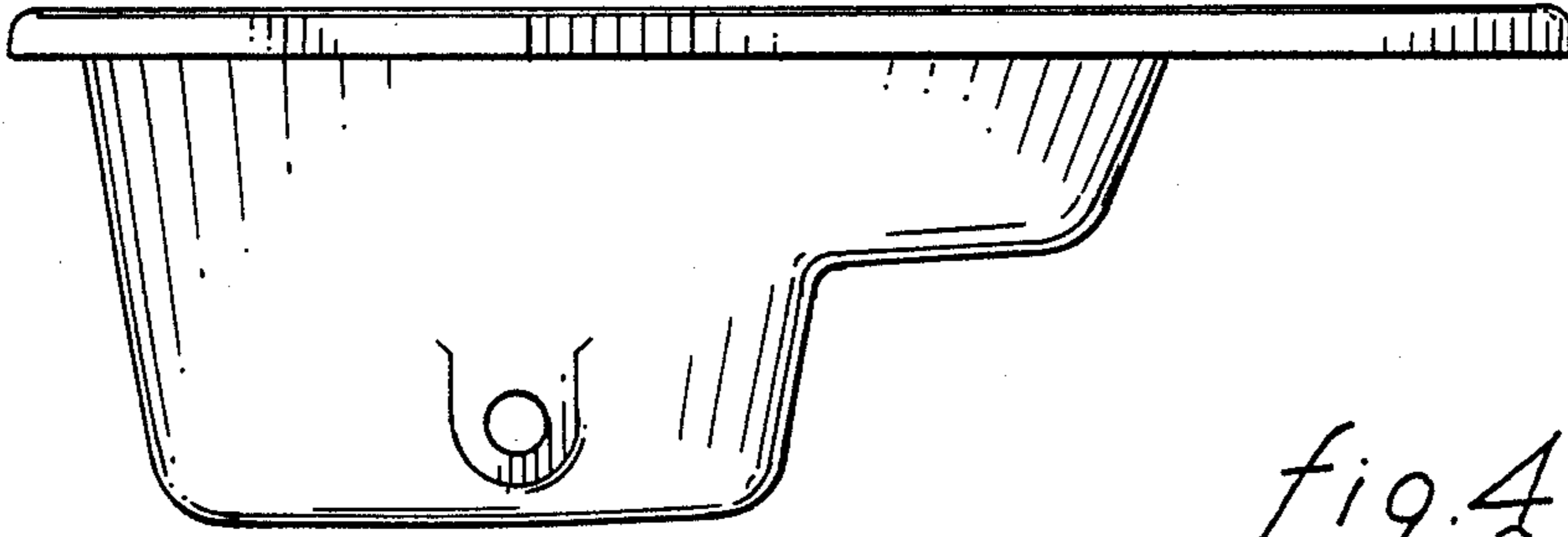


fig. 4

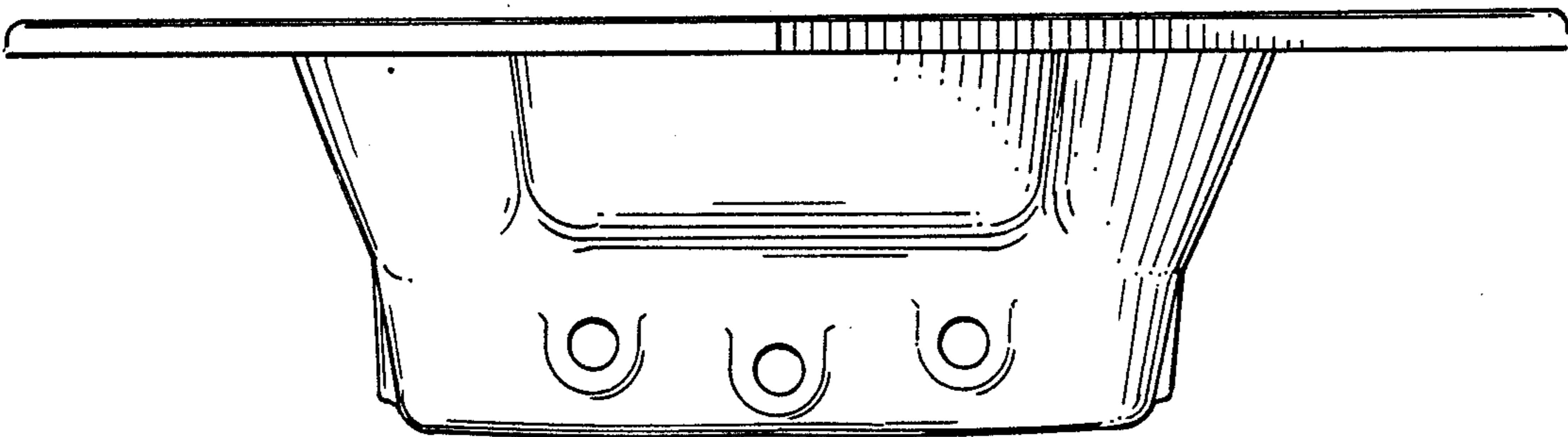


fig. 5

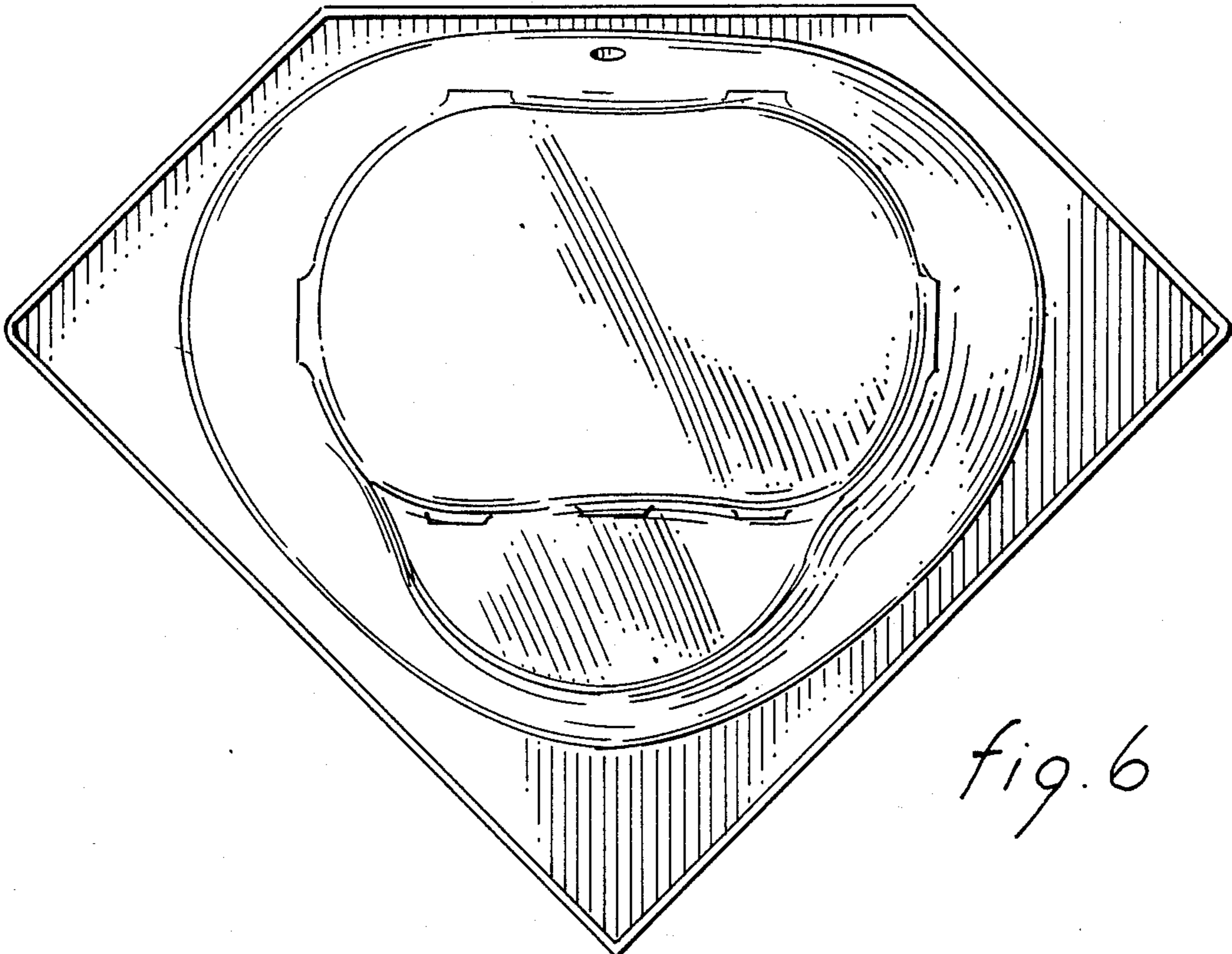


fig. 6

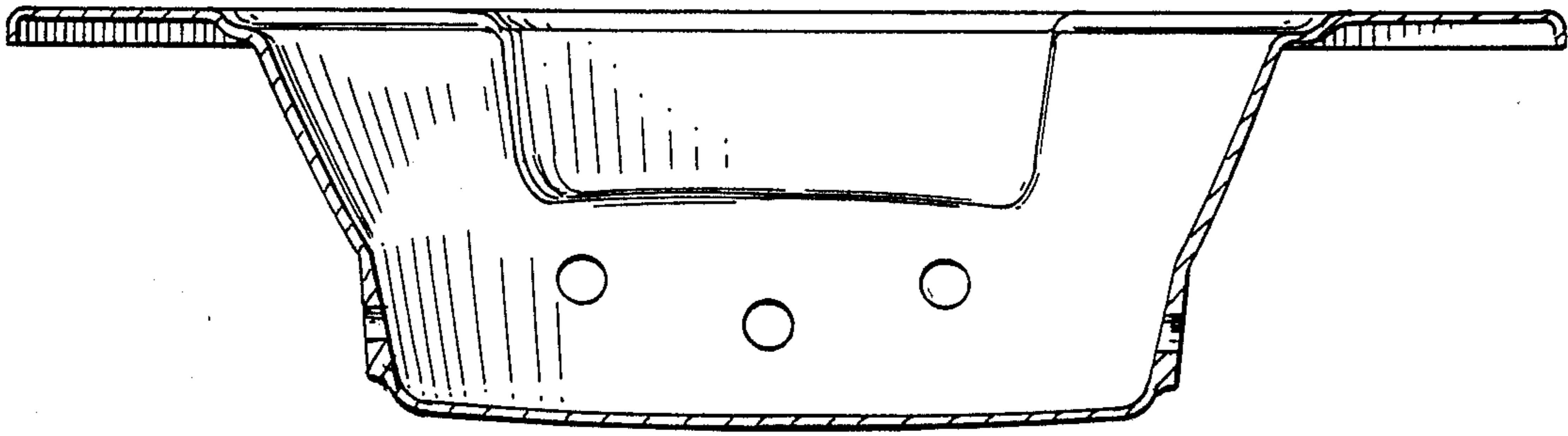


fig. 7

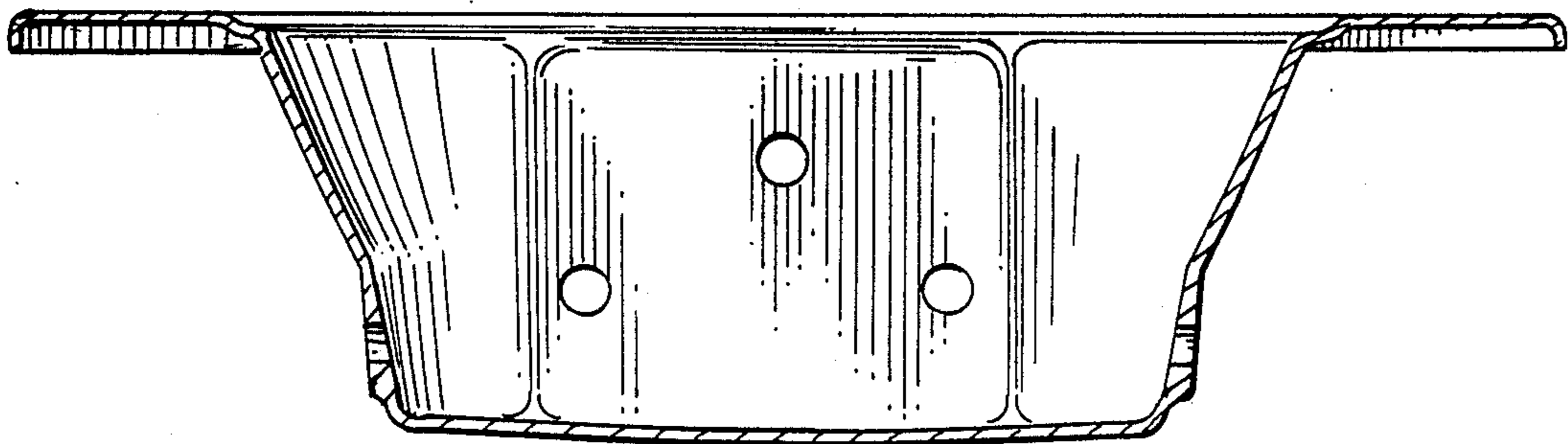


fig. 8

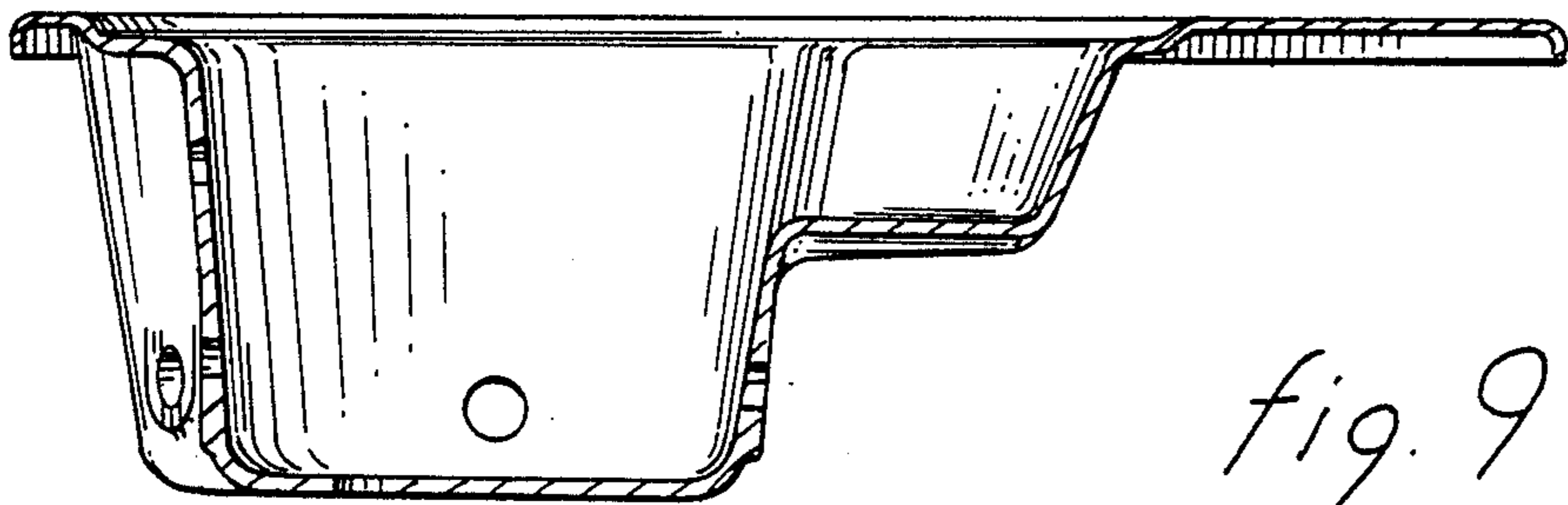


fig. 9

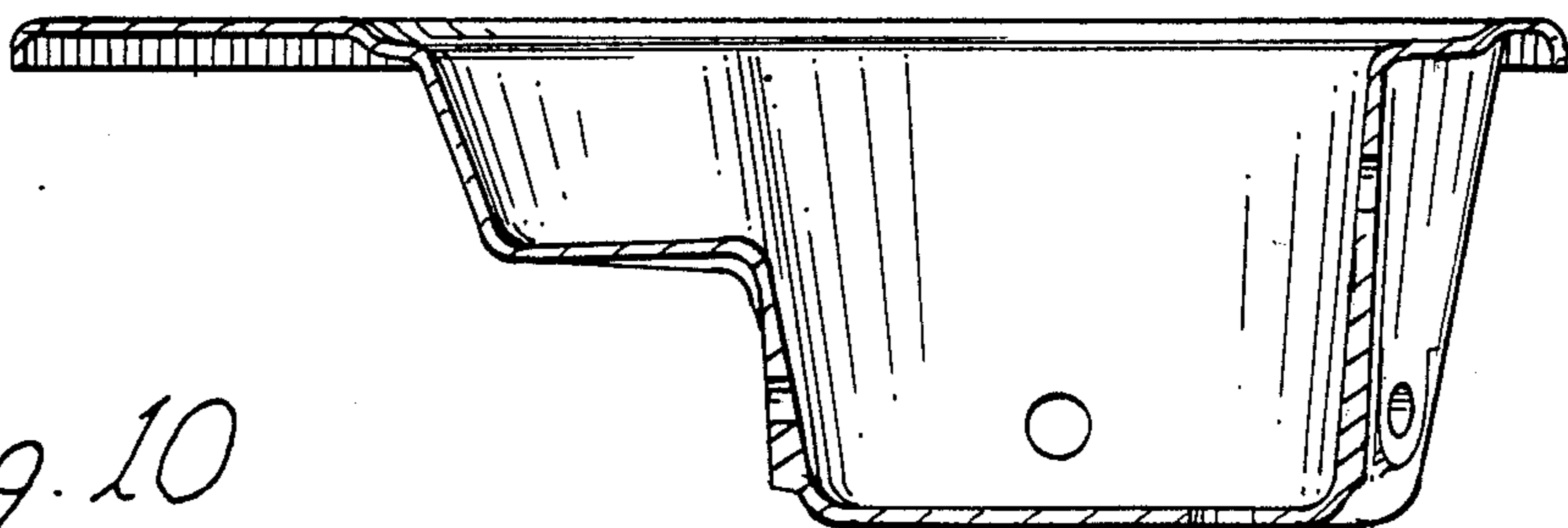


fig. 10



US008310566A

REEXAMINATION CERTIFICATE (2415th)

United States Patent [19]

[11] B1 Des. 310,566

Jacuzzi

[45] Certificate Issued Nov. 1, 1994

[54] WHIRLPOOL BATHTUB

Primary Examiner—Louis S. Zarfes

[75] Inventor: Remo C. Jacuzzi, Little Rock, Ark.

[57] CLAIM

[73] Assignee: Jason International, Inc., Little Rock, Ark.

The ornamental design for a whirlpool bathtub, as shown and described.

Reexamination Request:

No. 90/003,334, Feb. 14, 1994

DESCRIPTION

Reexamination Certificate for:

Patent No.: Des. 310,566

Issued: Sep. 11, 1990

Appl. No.: 83,088

Filed: Aug. 10, 1987

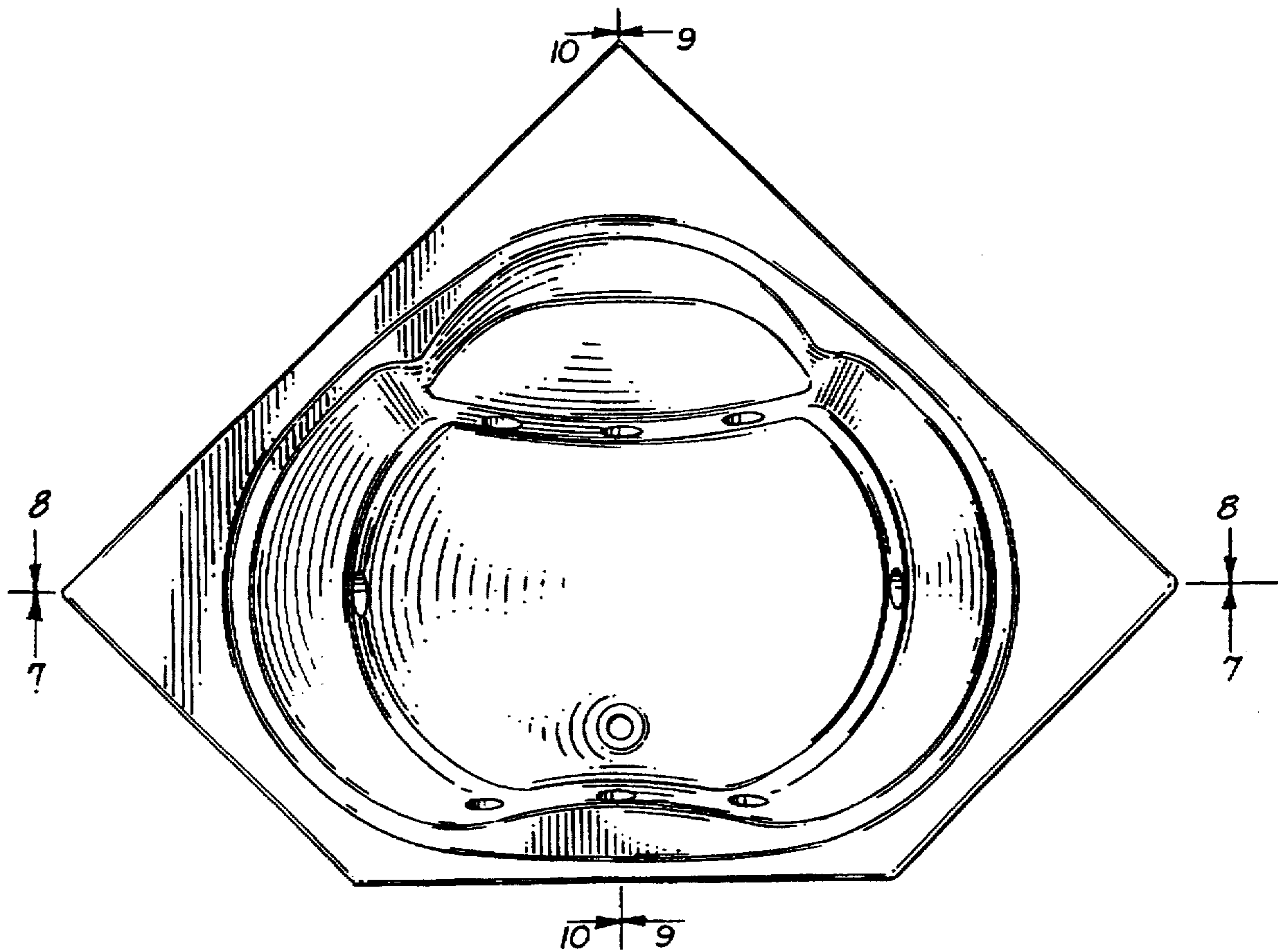
[52] U.S. Cl. D24/205

[56] **References Cited**

PUBLICATIONS

1985 Catalogue of American Whirlpool Products.
New York and Hawaii literature of American Whirlpool, Jan. 1992.
Letter, line drawing, invoice and sales sheet, 1986 concerning EXOTICA of American Whirlpool Products.

FIG. 1 is a front perspective view of a whirlpool bathtub, showing my new design;
FIG. 2 is a top plan view thereof;
FIG. 3 is a front elevational view thereof;
FIG. 4 is a side elevational view thereof;
FIG. 5 is a rear elevational view thereof;
FIG. 6 is a bottom plan view thereof;
FIG. 7 is a cross-sectional view taken along line 7-7 of FIG. 2;
FIG. 8 is a cross-sectional view taken along line 8-8 of FIG. 2;
FIG. 9 is a cross-sectional view taken along line 9-9 of FIG. 2; and
FIG. 10 is a cross-sectional view taken along line 10-10 of FIG. 2.



**REEXAMINATION CERTIFICATE
ISSUED UNDER 35 U.S.C. 307**

NO AMENDMENTS HAVE BEEN MADE TO
THE PATENT.

AS A RESULT OF REEXAMINATION, IT HAS
BEEN DETERMINED THAT:

5 The patentability of the claim is confirmed.

* * * * *

10

15

20

25

30

35

40

45

50

55

60

65