

United States Patent [19]

Petruson

[11] Patent Number: **Des. 310,565**

[45] Date of Patent: **** Sep. 11, 1990**

[54] **NASAL DILATOR**

[76] Inventor: **Björn Petruson, Santessonsgatan 1,
S-412 66 Göteborg, Sweden**

[**] Term: **14 Years**

[21] Appl. No.: **196,085**

[22] Filed: **May 19, 1988**

[30] **Foreign Application Priority Data**

Nov. 19, 1987 [GB] United Kingdom 1046459

[52] U.S. Cl. **D24/34**

[58] Field of Search D24/34, 59; 128/858,
128/76 C; 606/199

[56] **References Cited**

U.S. PATENT DOCUMENTS

1,709,740 4/1929 Rogers 606/199

1,950,839 3/1934 Chirila 606/199
3,710,799 1/1973 Caballero 606/199
4,201,217 5/1980 Slater 606/199
4,414,977 11/1983 Rezakhany 606/199

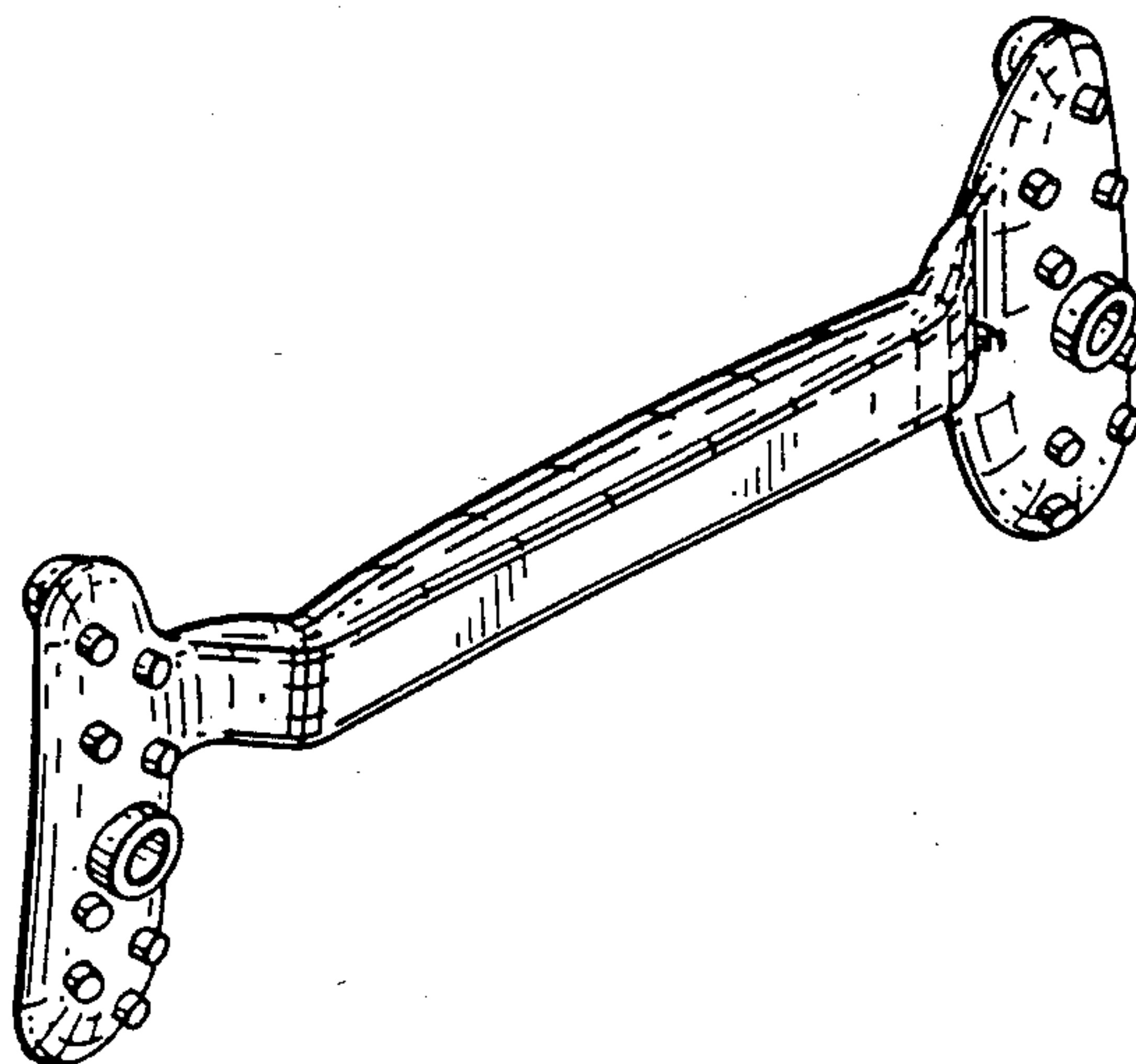
Primary Examiner—A. Hugo Word
Assistant Examiner—Stella M. Reid
Attorney, Agent, or Firm—Fishman, Dionne & Cantor

[57] **CLAIM**

The ornamental design for a nasal dilator, as shown.

DESCRIPTION

FIG. 1 is a perspective view of a nasal dilator, showing my new design;
FIG. 2 is a top plan view thereof;
FIG. 3 is a bottom plan view thereof;
FIG. 4 is a side elevational view thereof;
FIG. 5 is an end elevational view thereof; and
FIG. 6 is a perspective view thereof in use position.



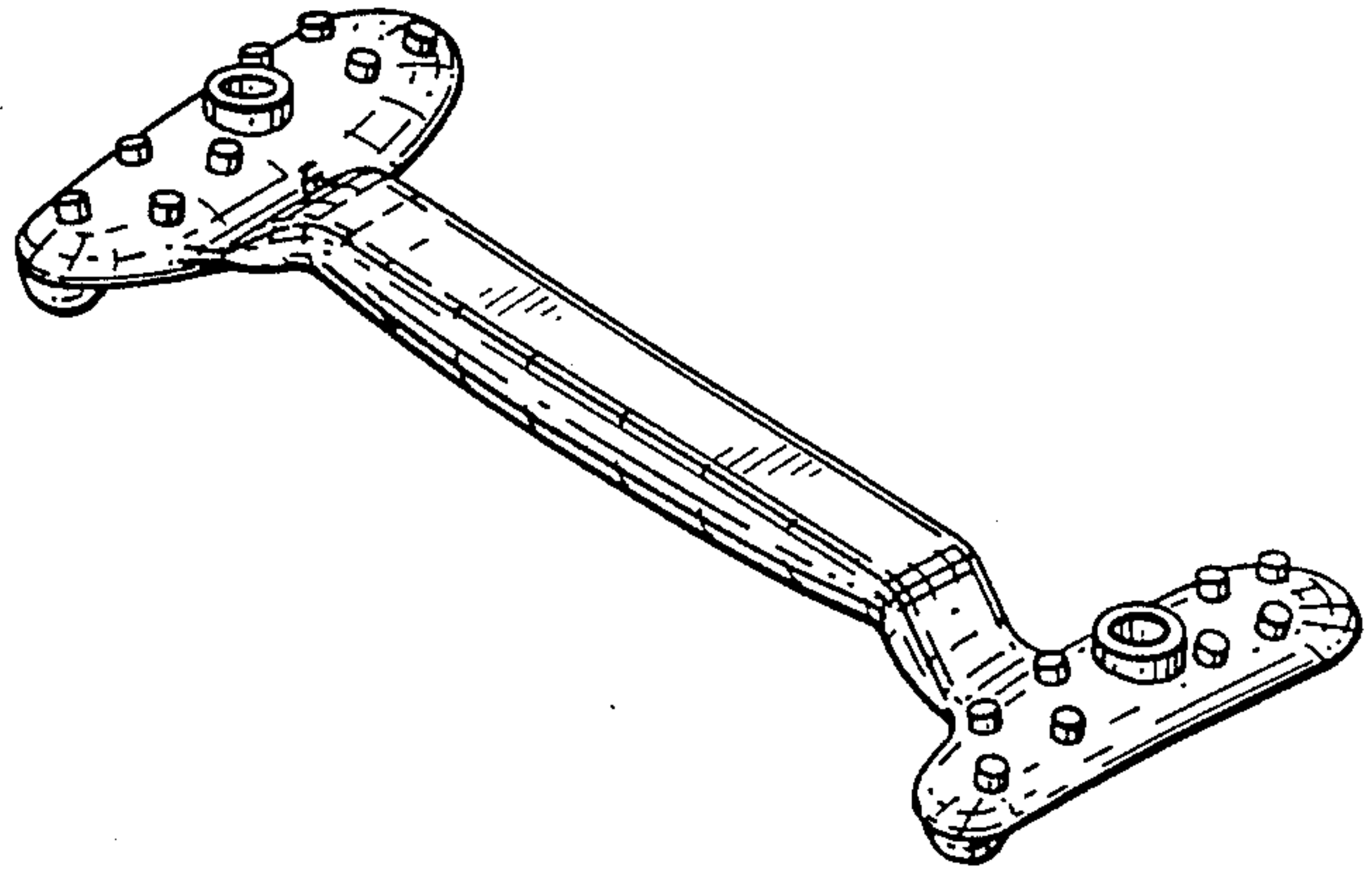


FIG. 1

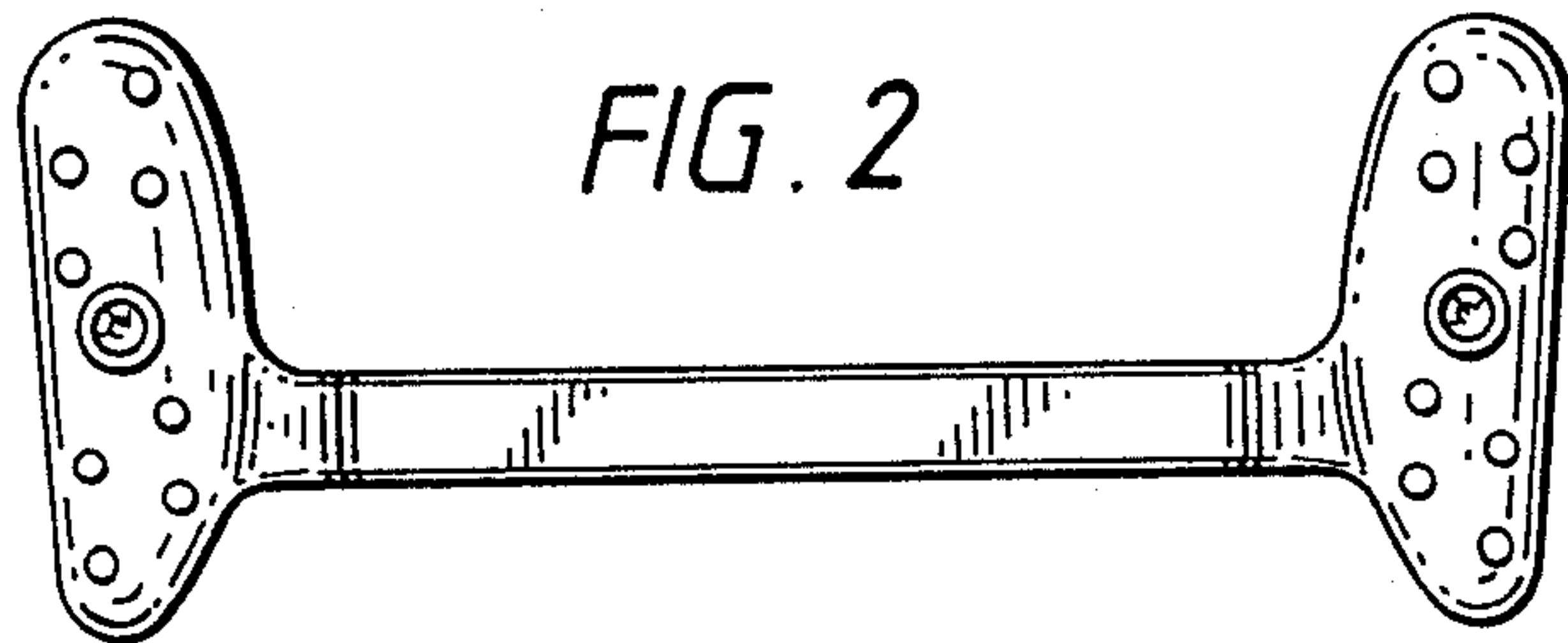


FIG. 2

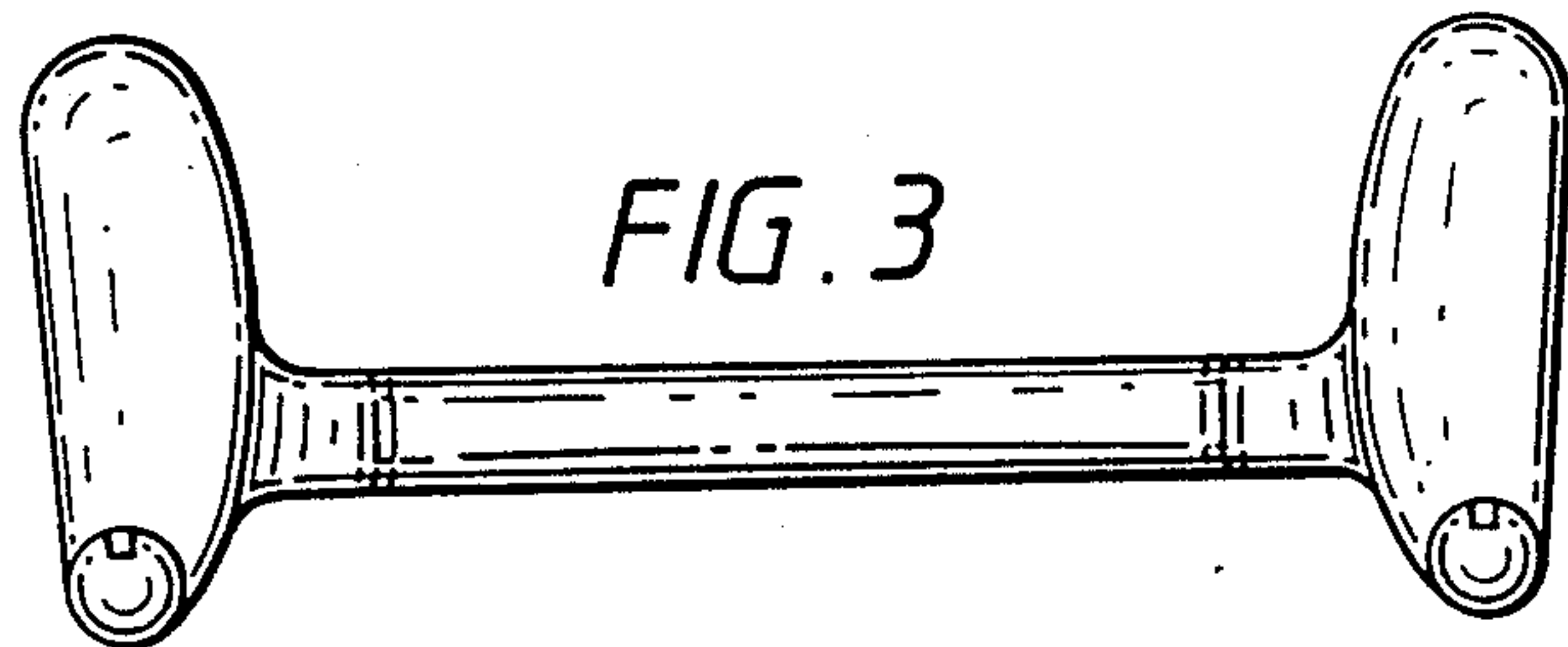


FIG. 3



FIG. 4

FIG. 5

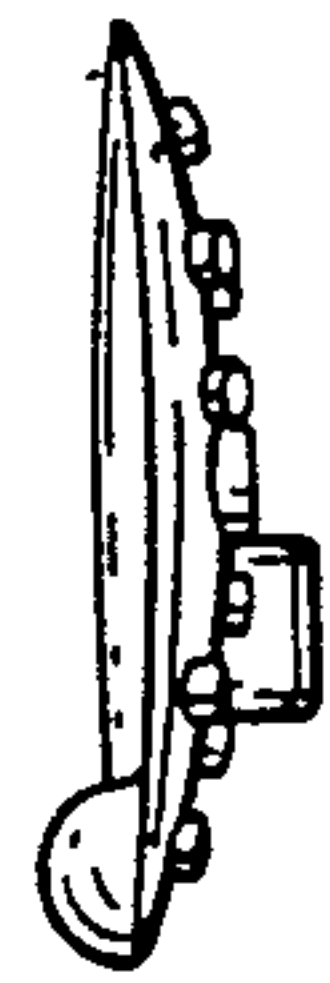


FIG. 6

