

[54] TANK OR THE LIKE

[75] Inventor: Henry M. Stairs, Jr., Neshanic, N.J.

[73] Assignee: American Standard Inc., New York, N.Y.

[\*\*] Term: 14 Years

[21] Appl. No.: 128,535

[22] Filed: Dec. 1, 1987

[52] U.S. Cl. .... D23/313

[58] Field of Search ..... D23/295-301, D23/309, 313; 4/306, 329-332, 353, 420-448, DIG. 15

[56] References Cited

U.S. PATENT DOCUMENTS

D. 75,721	7/1928	Coxon	.....	D23/313
D. 199,021	9/1964	Stairs, Jr.	.....	D23/301
D. 199,049	9/1964	Kaiser	.....	D4/5
D. 217,551	5/1970	Manning	.....	D23/67
D. 226,432	3/1973	Anderson	.....	D23/313
D. 226,715	4/1973	Anderson	.....	D23/67
D. 262,679	1/1982	Kaiser	.....	D23/301
D. 262,989	2/1982	Stairs, Jr.	.....	D23/301
D. 275,419	9/1984	Stairs, Jr.	.....	D23/301
D. 275,598	9/1984	Stairs, Jr.	.....	D23/301
2,099,932	11/1937	Isaacson	.....	4/353

FOREIGN PATENT DOCUMENTS

927451	5/1963	United Kingdom	.....	4/353
--------	--------	----------------	-------	-------

OTHER PUBLICATIONS

American-Standard 1982 Fixtures & Fittings Catalog, pp. 4-8 thru 4-12, Cadet Toilet.  
 Kohler Catalog, pp. 9-13, Wellworth Toilet, 1986.  
 Artesian Industries, Artesian Toilet.  
 Artesian Avalon Water-Saving Elongated Toilet.  
 Artesian Deluxe, Aegean Water-Miser Toilet with Insulated Tank.  
 Artesian Atlantis Economically-Priced Water-Saving Toilet.  
 Artesian Acadia Economical Water-Miser Toilet.

Primary Examiner—James R. Largen  
 Attorney, Agent, or Firm—John P. Sinnott

[57] CLAIM

The ornamental design for a tank or the like, as shown and described.

DESCRIPTION

FIG. 1 is a perspective view, taken from the top, front and left side of a tank or the like, embodying my new design;  
 FIG. 2 is a left side elevational view thereof;  
 FIG. 3 is a right side elevational view thereof;  
 FIG. 4 is a top plan view thereof;  
 FIG. 5 is a front elevational view thereof;  
 FIG. 6 is a rear elevational view thereof;  
 FIG. 7 is a bottom plan view thereof;  
 FIG. 8 is a cross sectional view taken on line 8—8 of FIG. 1; and  
 FIG. 9 is a cross sectional view taken on line 9—9 of FIG. 2.  
 The broken line representation of an opening in FIGS. 1, 2, 4, 5 and 7 are for purposes of illustration only.

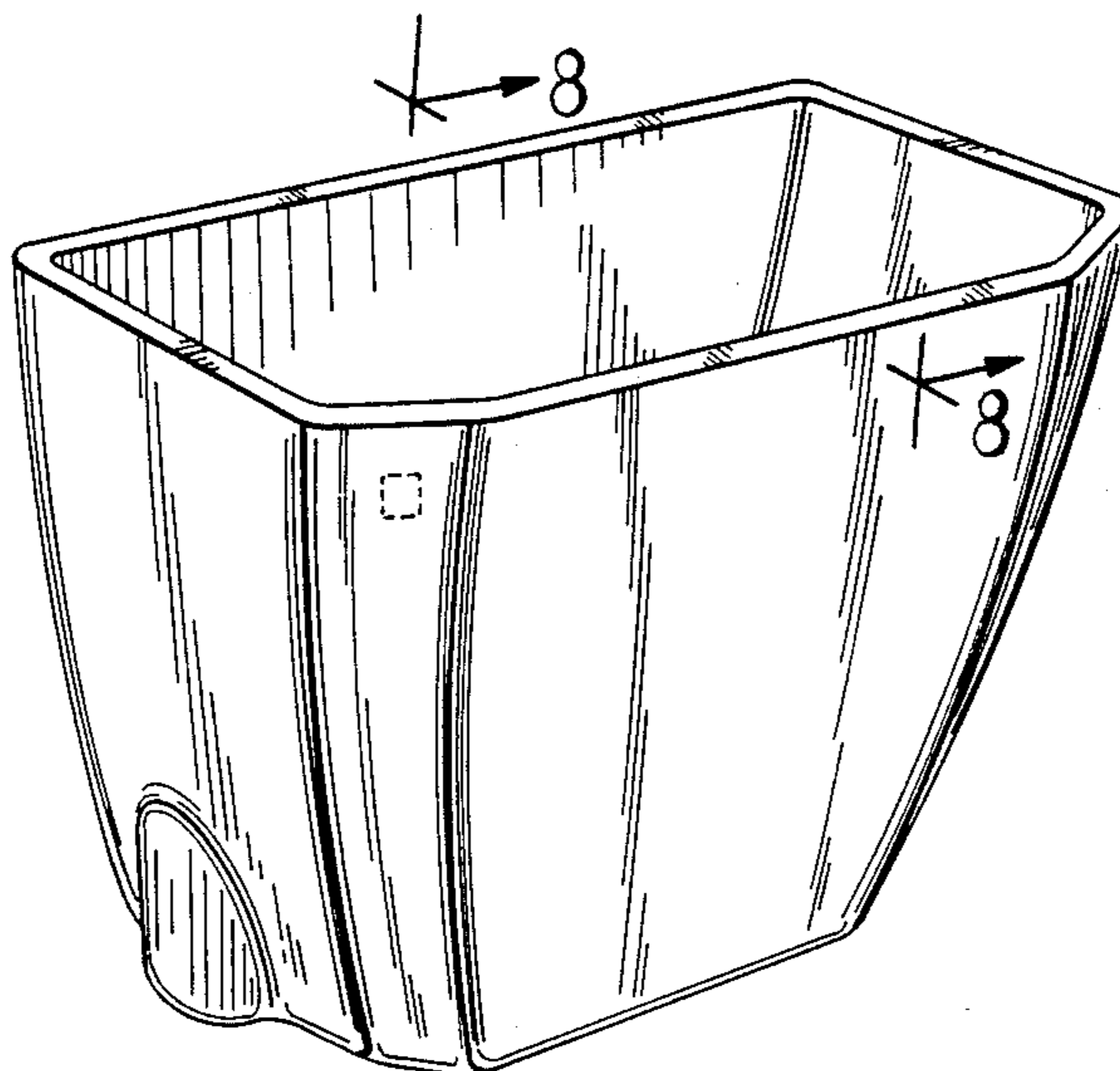
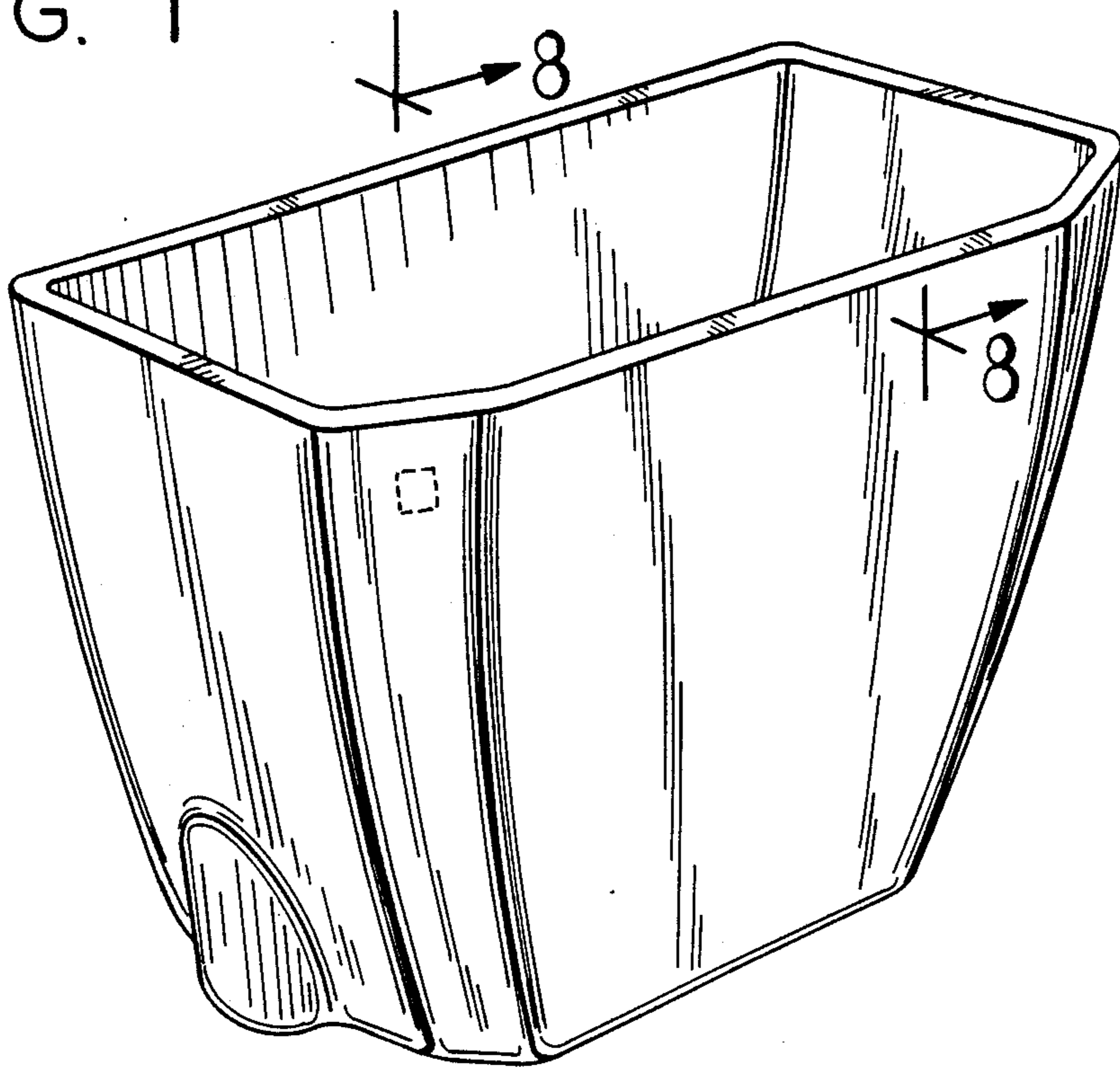


FIG. 1



9 ←

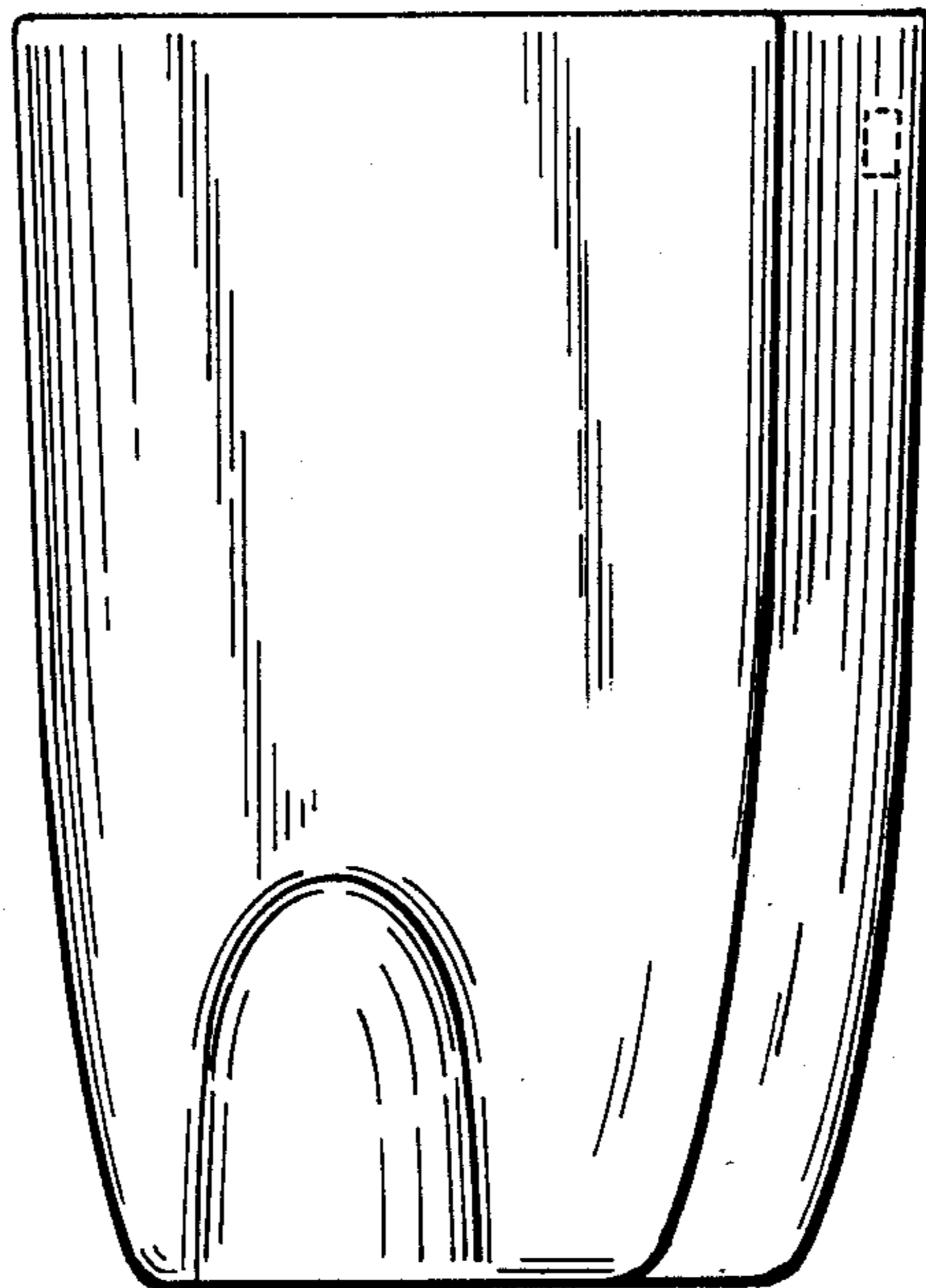


FIG. 2

9 ←

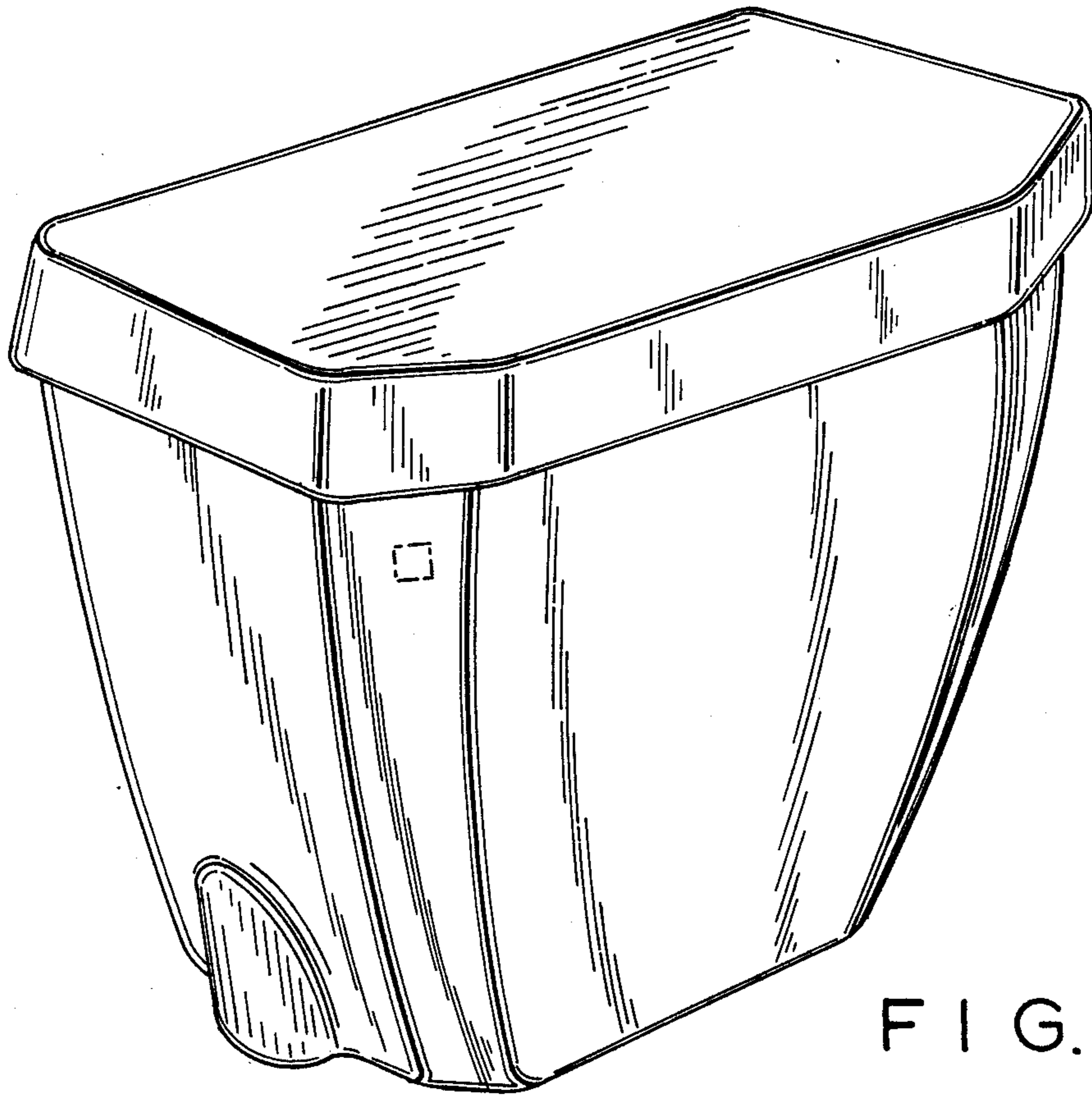


FIG. 10

FIG. 3

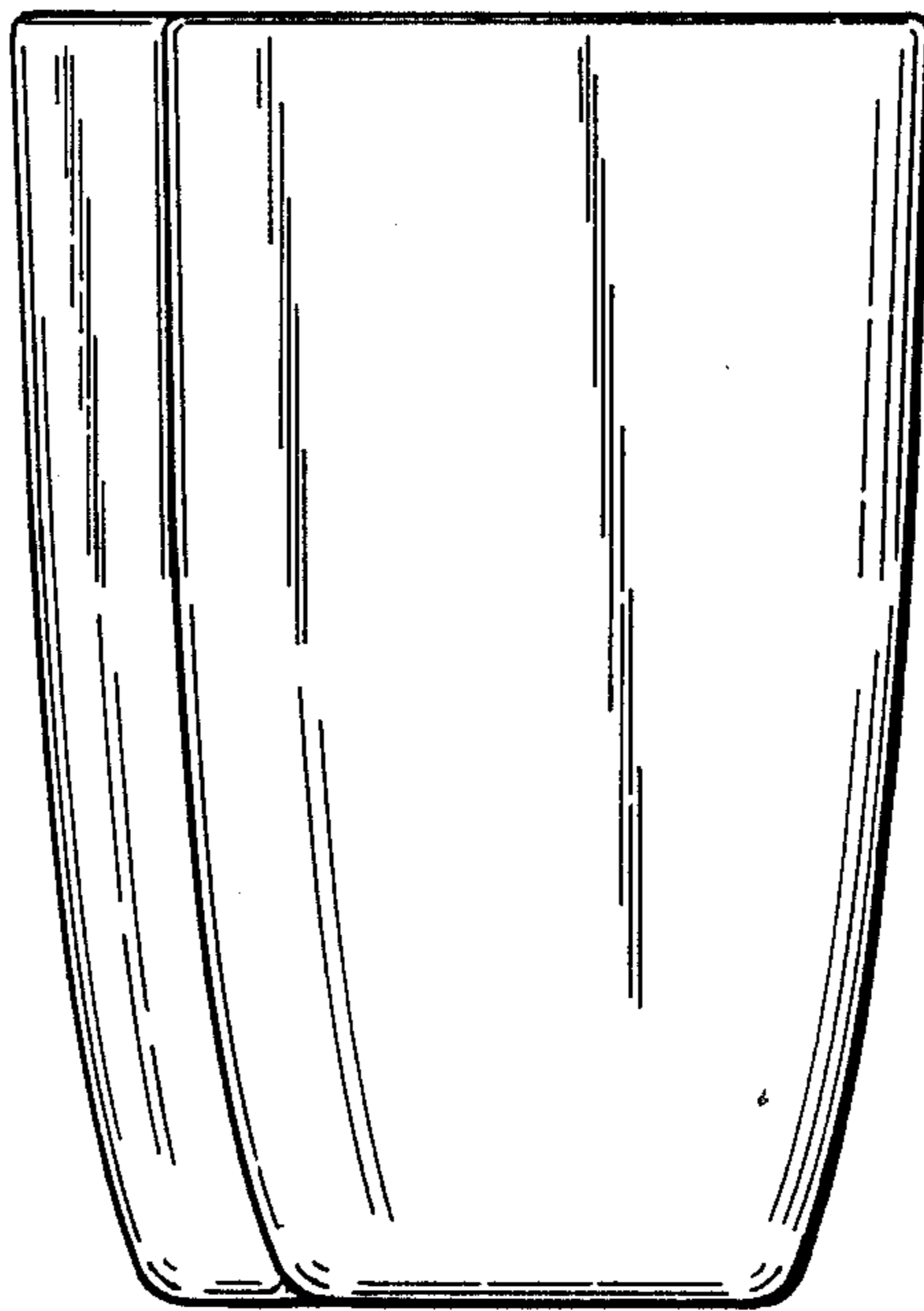


FIG. 4

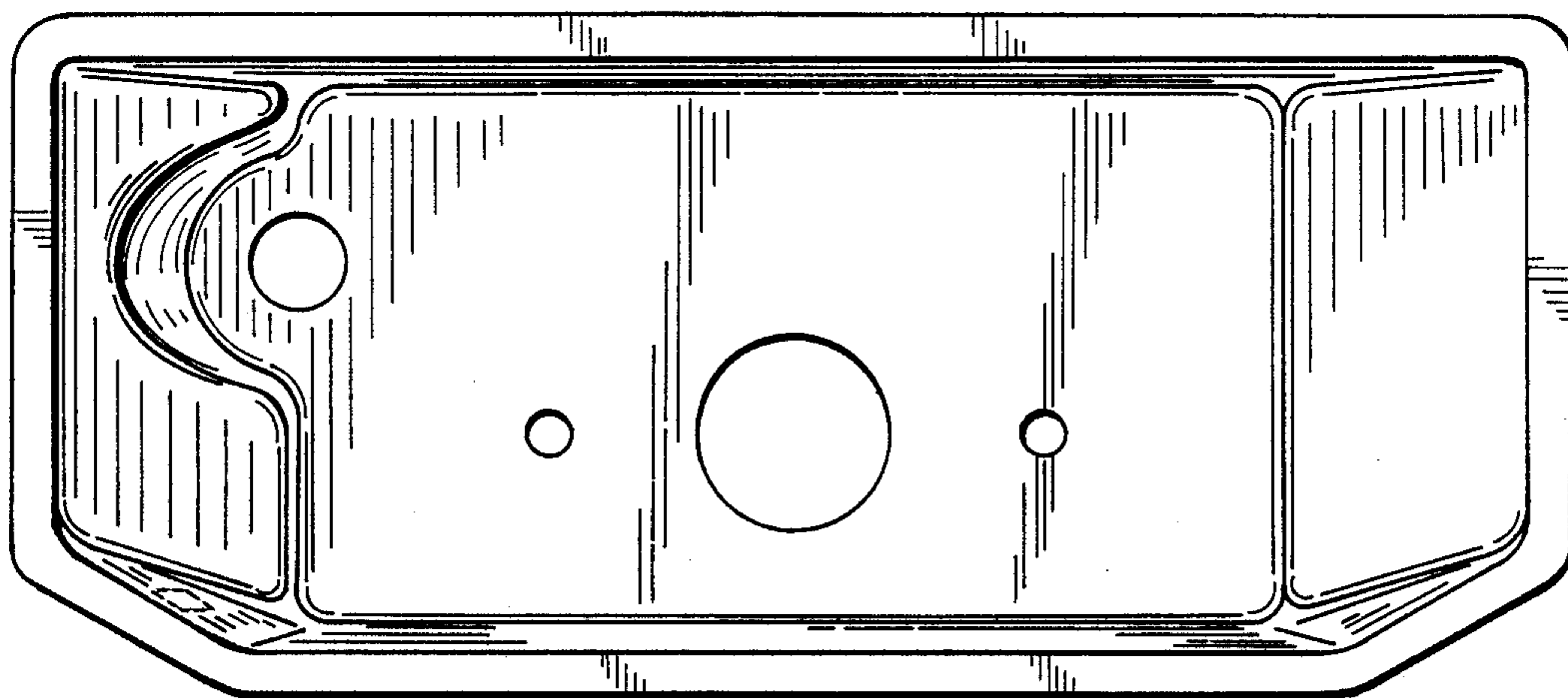


FIG. 5

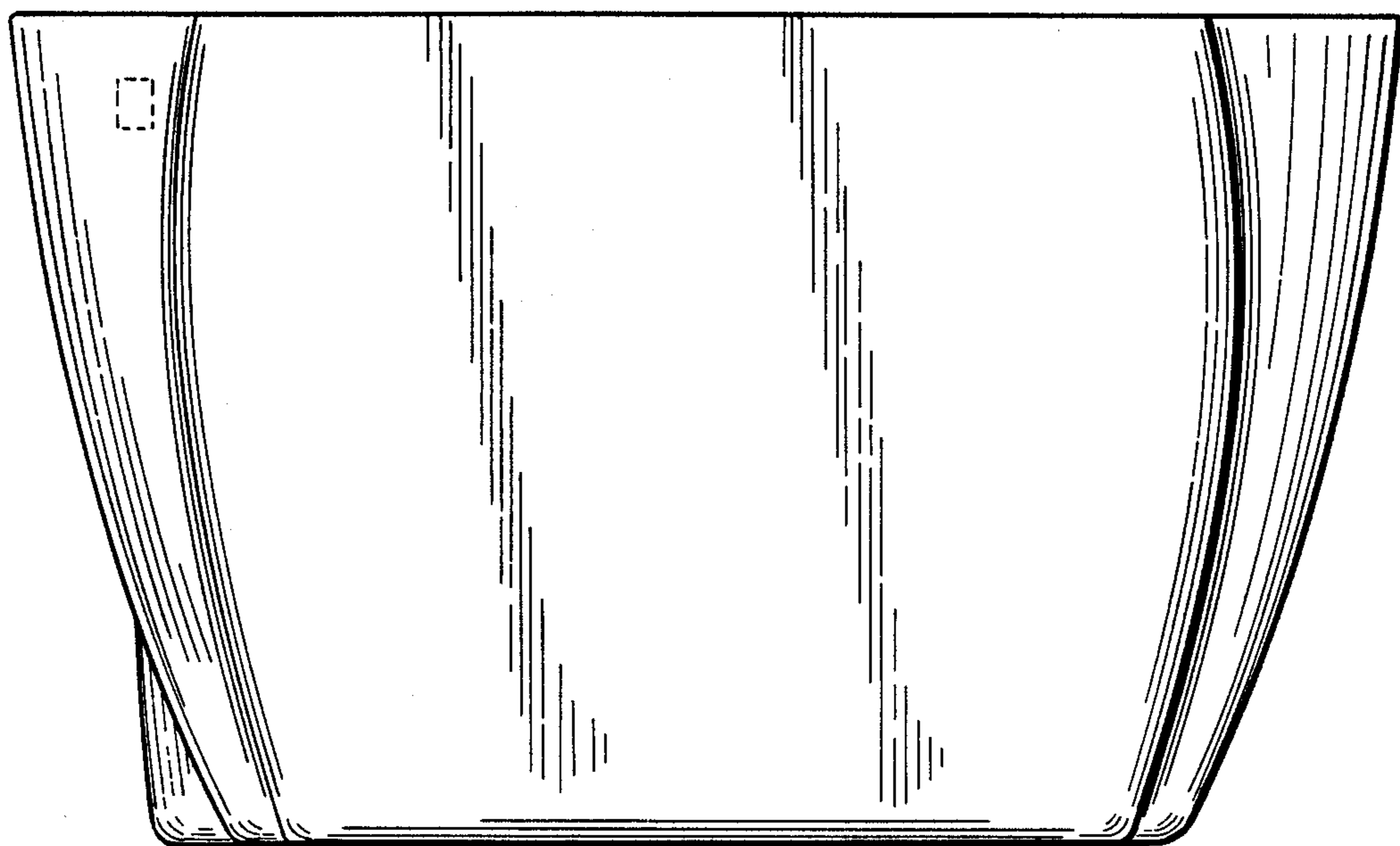




FIG. 6

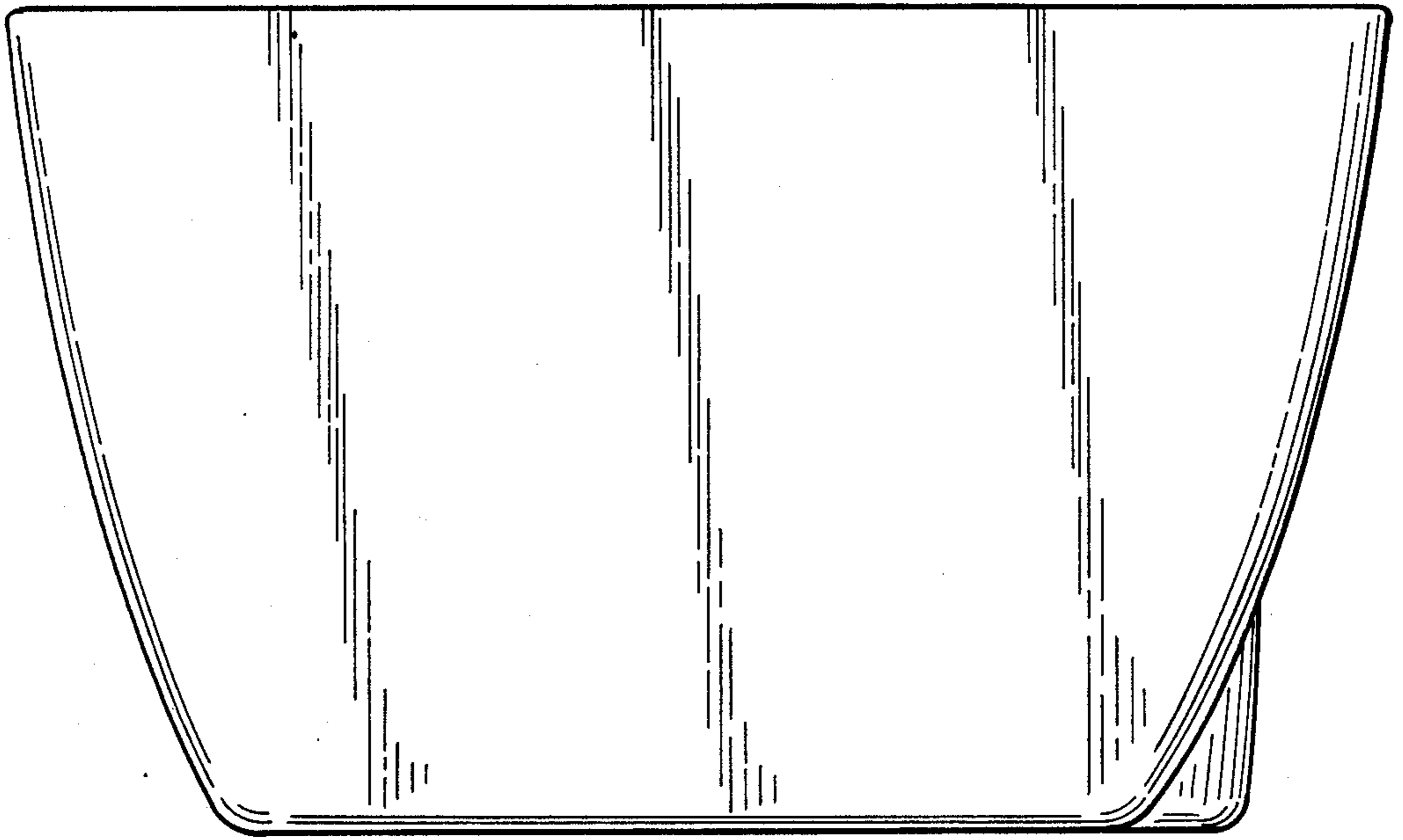


FIG. 7

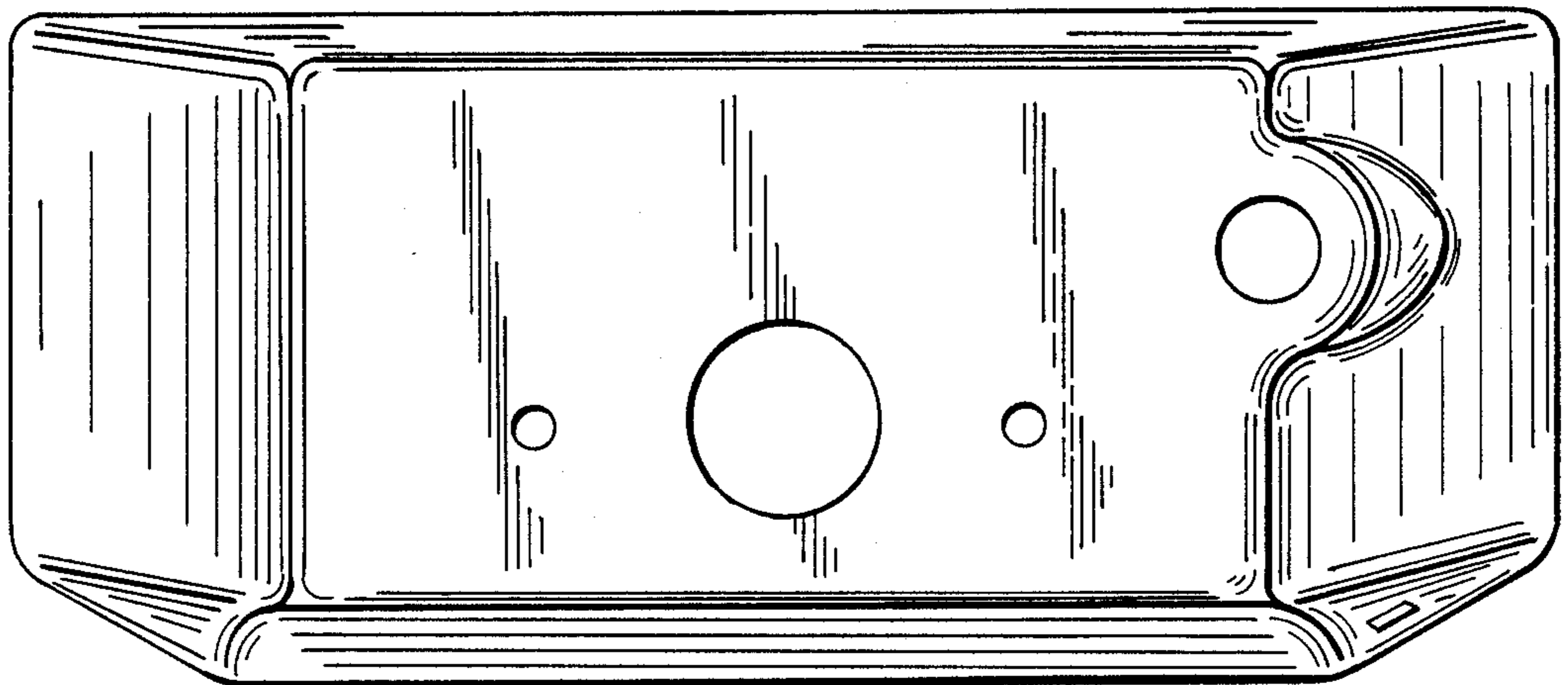


FIG. 8



FIG. 9

