

- [54] **COMBINED REVERSIBLE SPRINKLER NOZZLE AND SUPPORT RING**
- [76] **Inventor: Robert W. Hengesbach, 7886 Munson Rd., Mentor, Ohio 44060**
- [**] **Term: 14 Years**
- [21] **Appl. No.: 414,069**
- [22] **Filed: Sep. 28, 1989**

Related U.S. Application Data

- [60] Division of Ser. No. 224,249, Jul. 26, 1988, which is a continuation of Ser. No. 20,684, Mar. 2, 1987, which is a continuation-in-part of Ser. No. 674,272, Nov. 23, 1984, Pat. No. D. 293,127, which is a continuation-in-part of Ser. No. 461,874, Jan. 28, 1983, Pat. No. D. 282,392, which is a division of Ser. No. 756,186, Jul. 18, 1985, Pat. No. D. 284,301.
- [52] **U.S. Cl. D23/213**
- [58] **Field of Search D23/213-230; 239/396**

References Cited

U.S. PATENT DOCUMENTS

- D. 183,042 6/1958 Fuglie D91/3
- D. 194,526 2/1963 Lohmar D23/229
- D. 266,454 10/1982 Miller D23/229
- D. 282,392 1/1986 Hengesbach D23/17
- D. 284,301 6/1986 Hengesbach D23/17
- D. 285,242 8/1986 Hengesbach D23/17
- D. 285,477 9/1986 Hengesbach D23/18
- D. 285,478 9/1986 Hengesbach D23/19
- D. 285,479 9/1986 Hengesbach D23/20
- D. 287,995 1/1987 Ferguson D23/19
- D. 293,127 12/1987 Hengesbach D23/226
- 2,072,555 3/1937 Hengesbach et al. 122/144
- 2,293,390 8/1942 Hengesbach 299/84
- 2,790,686 4/1957 Roshott 239/396 X
- 2,890,067 6/1959 Morin 285/166
- 2,929,406 3/1960 Anderson 137/615
- 3,202,360 8/1965 O'Brien 239/119
- 3,473,561 10/1969 Svenson et al. 137/525
- 3,632,046 1/1972 Hengesbach 239/318
- 3,711,028 1/1973 Hengesbach 239/288.5
- 3,756,273 9/1973 Hengesbach 137/540

- 3,762,650 10/1973 Radecki 239/396
- 4,035,004 7/1977 Hengesbach 285/166
- 4,449,696 5/1984 Hengesbach 251/231
- 4,471,911 9/1984 Hengesbach 239/327
- 4,473,328 9/1984 Hengesbach 406/152
- 4,515,310 5/1985 Hengesbach 239/8
- 4,569,160 2/1986 Hengesbach 51/427
- 4,629,121 12/1986 Hengesbach 239/119

OTHER PUBLICATIONS

- Brochure, Tri-Con, Inc., 4 pages, dated 1/1/1977, entitled: We Make The System.
- Brochure, Spraying Systems Co., Catalog 27, pp. 75-79, 1978, entitled: Spray Nozzles and Accessories.
- Brochure, Tri-Con, Inc., 4 pages, date unknown, entitled: The Tri-Con All Purpose Nozzle.
- Trademark Reg. No. 1,352,262, Registered Jul. 30, 1985.
- Trademark Reg. No. 1,379,809, Registered Jan. 21, 1986.
- Trademark Reg. No. 1,379,810, Registered Jan. 21, 1986.
- Trademark Reg. No. 1,379,811, Registered Jan. 21, 1986.

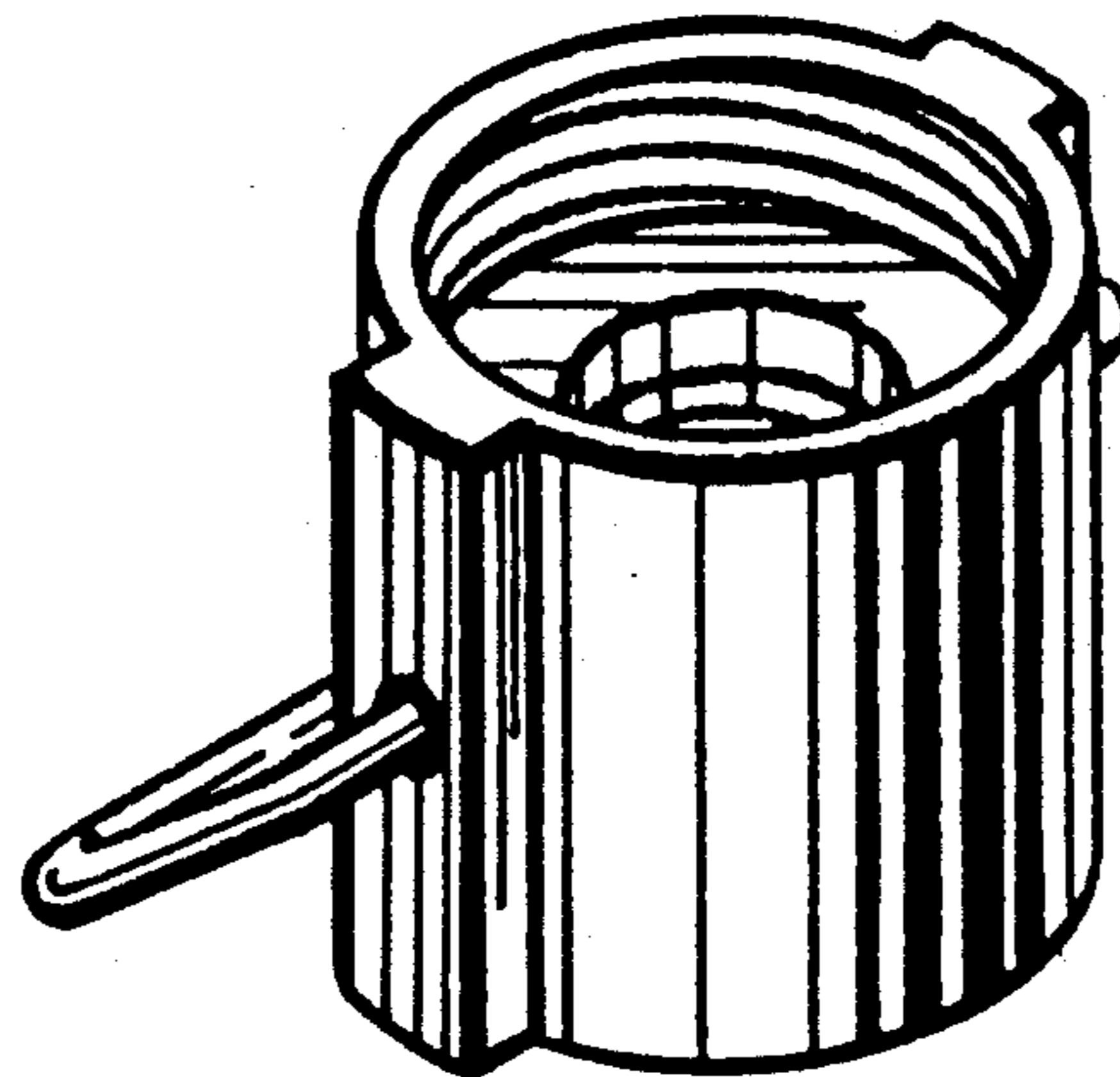
Primary Examiner—James R. Largen
Attorney, Agent, or Firm—David A. Burge

[57] **CLAIM**

The ornamental design for a combined reversible sprinkler nozzle and support ring, as shown and described.

DESCRIPTION

FIG. 1 is a top perspective view of a combined reversible sprinkler for nozzle and support ring showing my new design;
 FIG. 2 is a bottom perspective view thereof;
 FIG. 4 is a top perspective view of a second embodiment thereof;
 FIG. 5 is a bottom perspective view of FIG. 4;
 FIG. 6 is a bottom plan view of FIG. 4;
 FIG. 7 is a top perspective view of a third embodiment thereof; and
 FIG. 8 is a top perspective view of a fourth embodiment thereof.



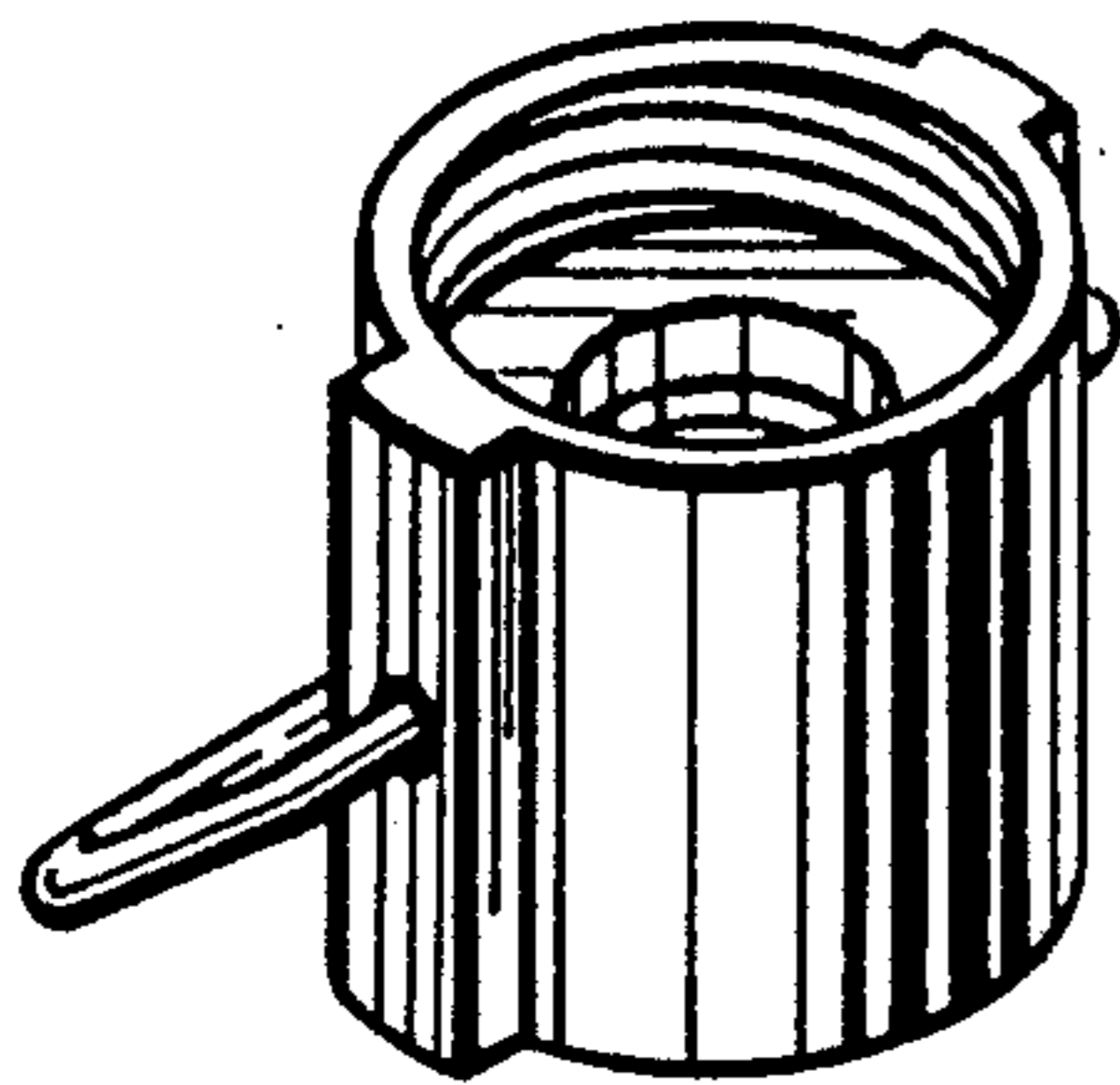


FIG. 1

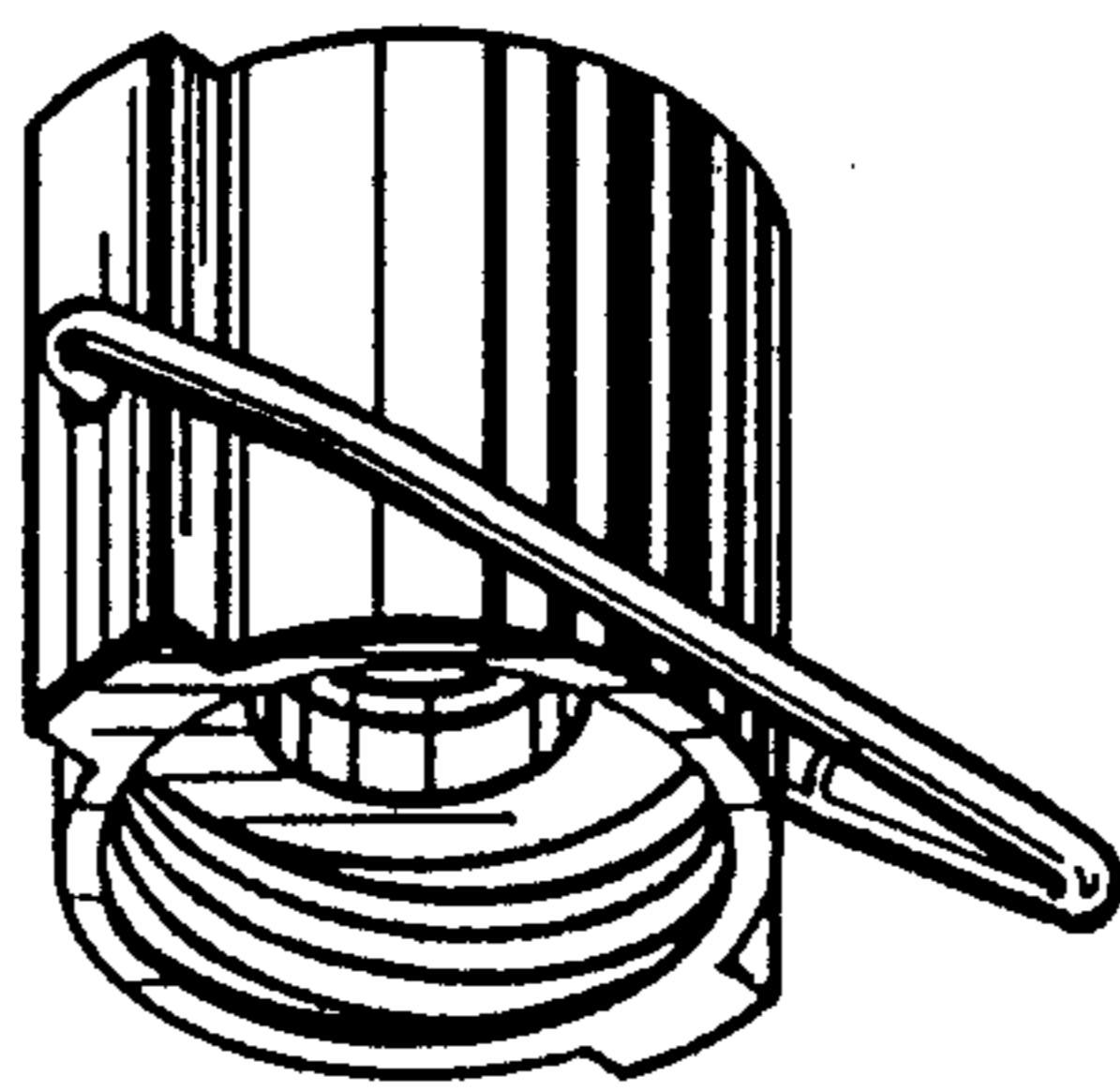


FIG. 2

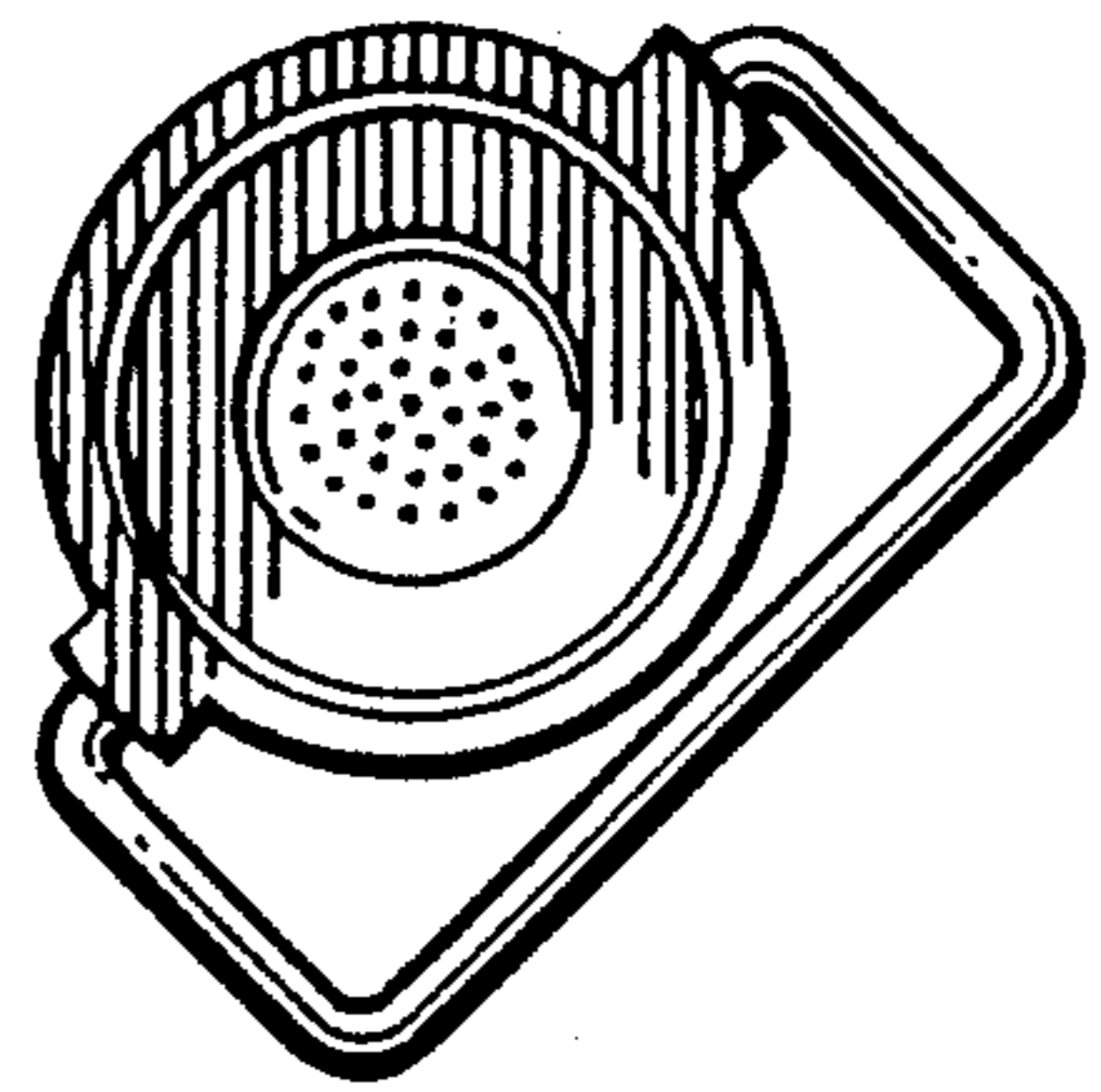


FIG. 3

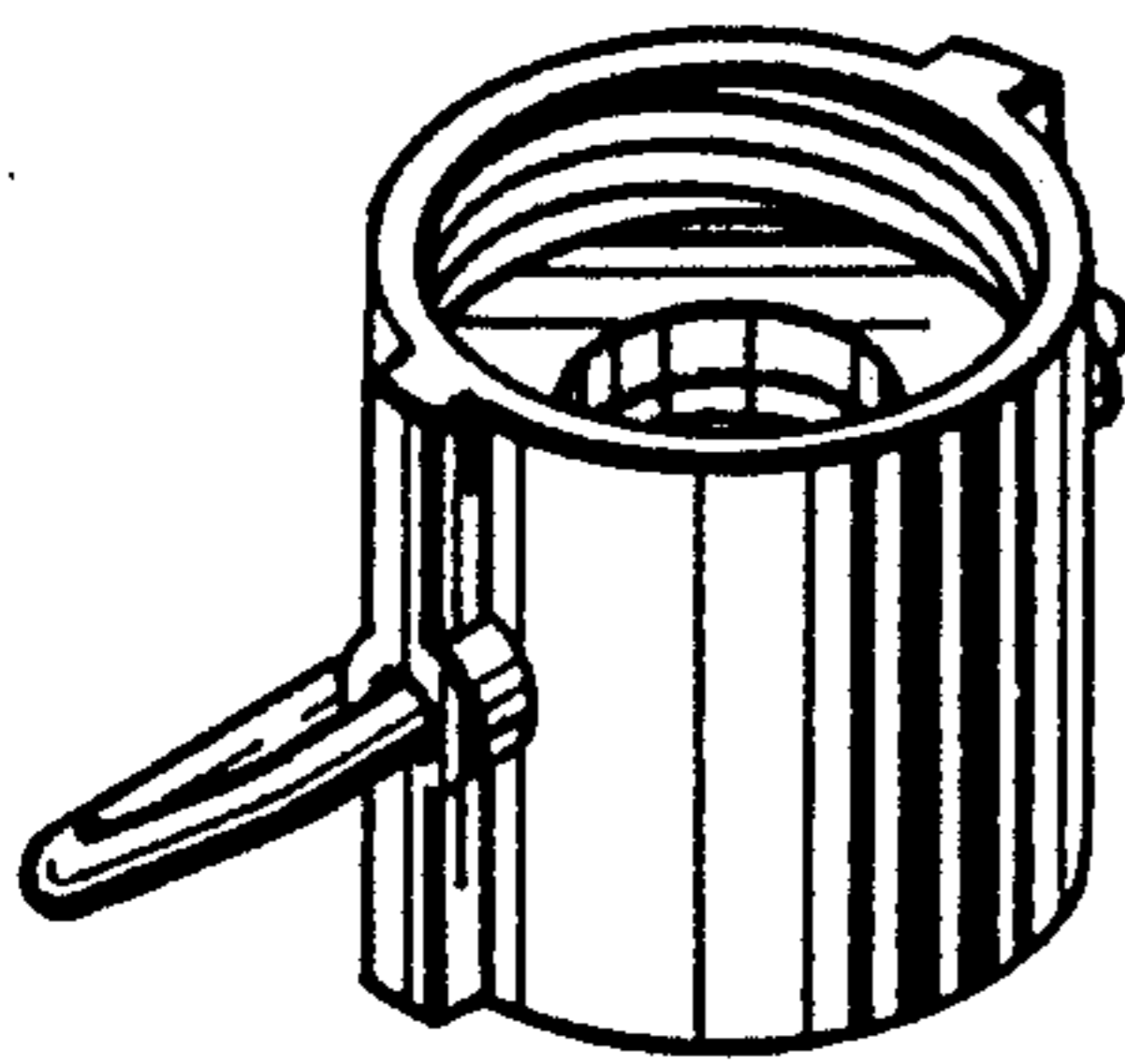


FIG. 4

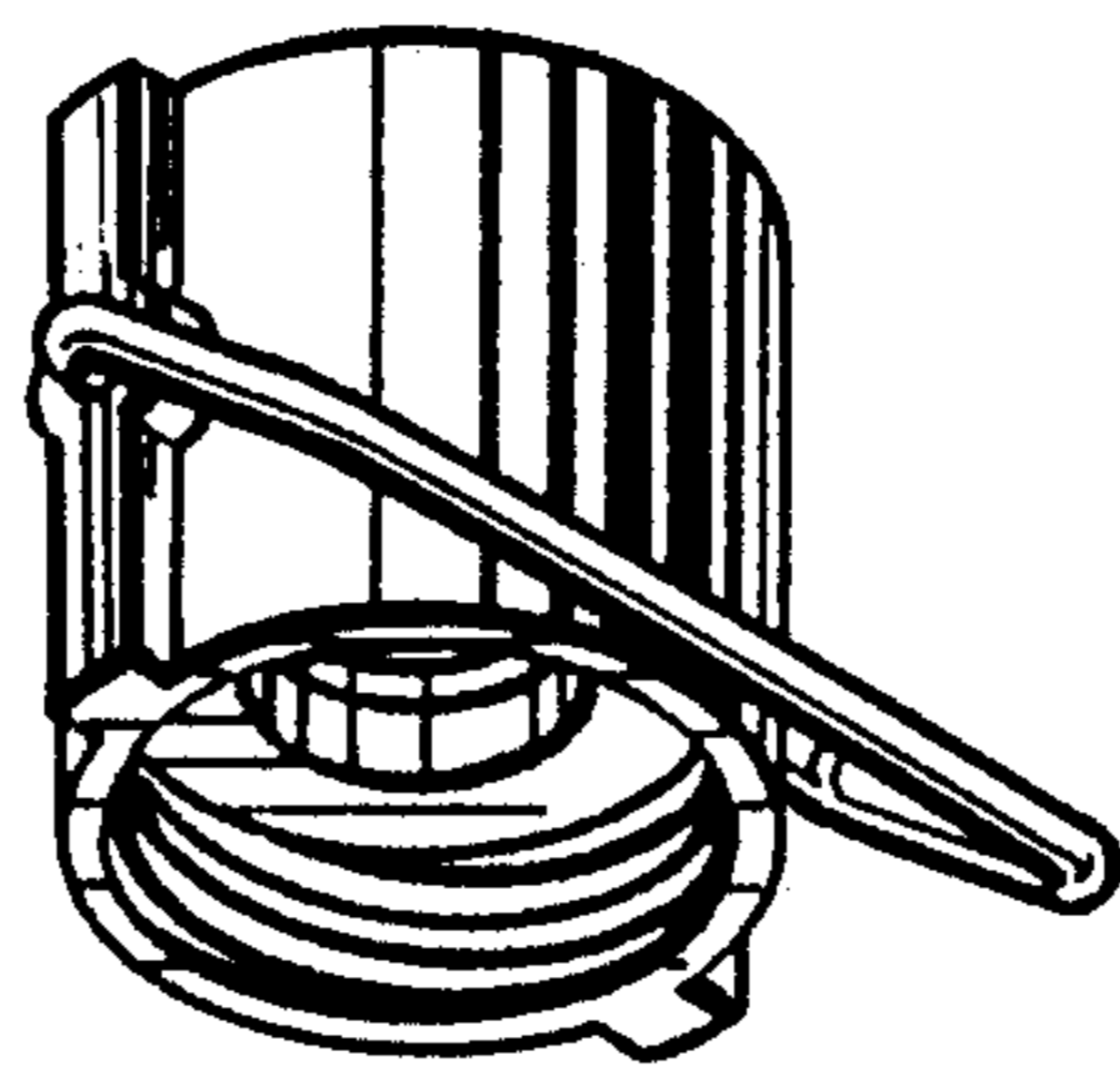


FIG. 5

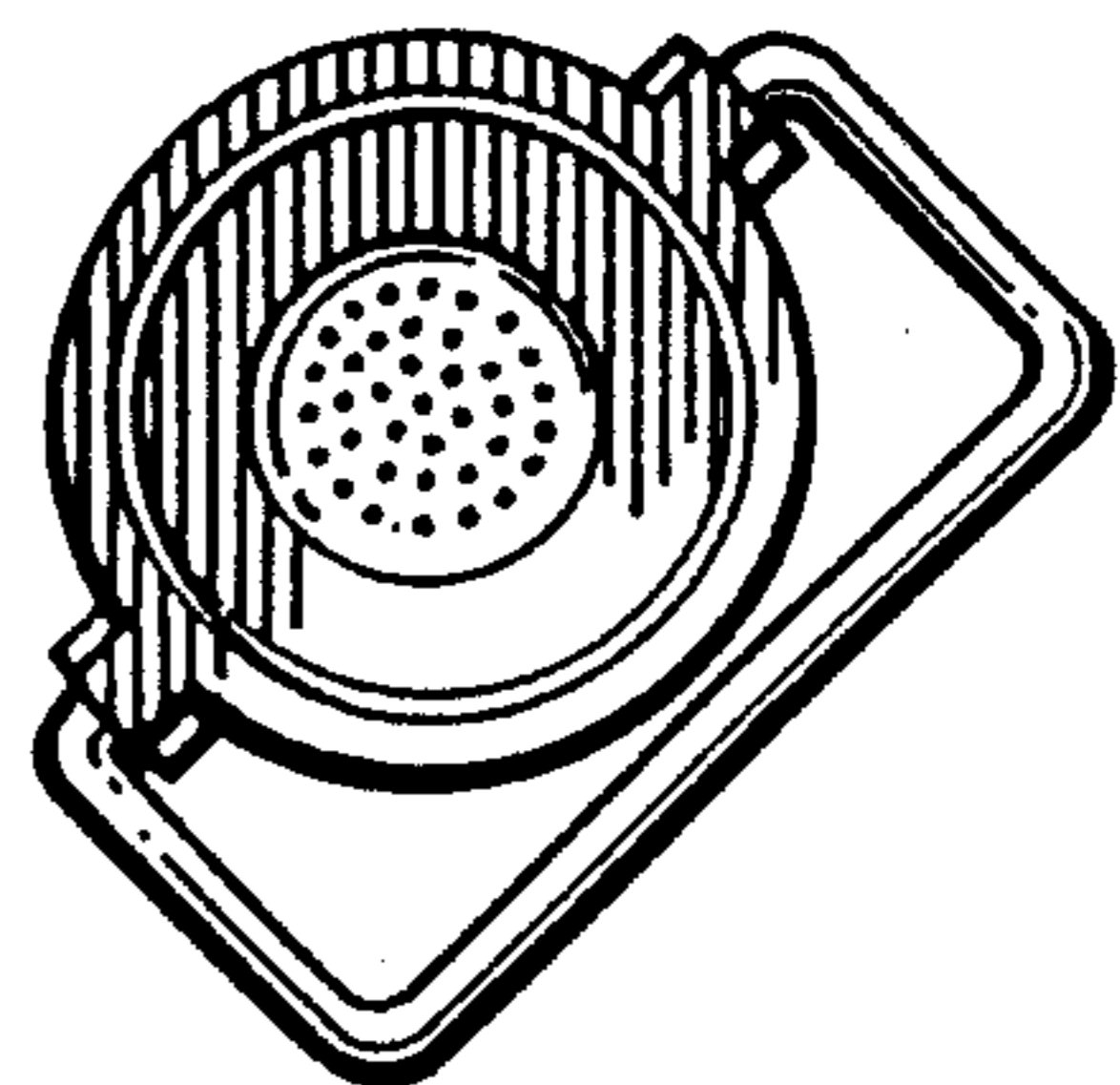


FIG. 6

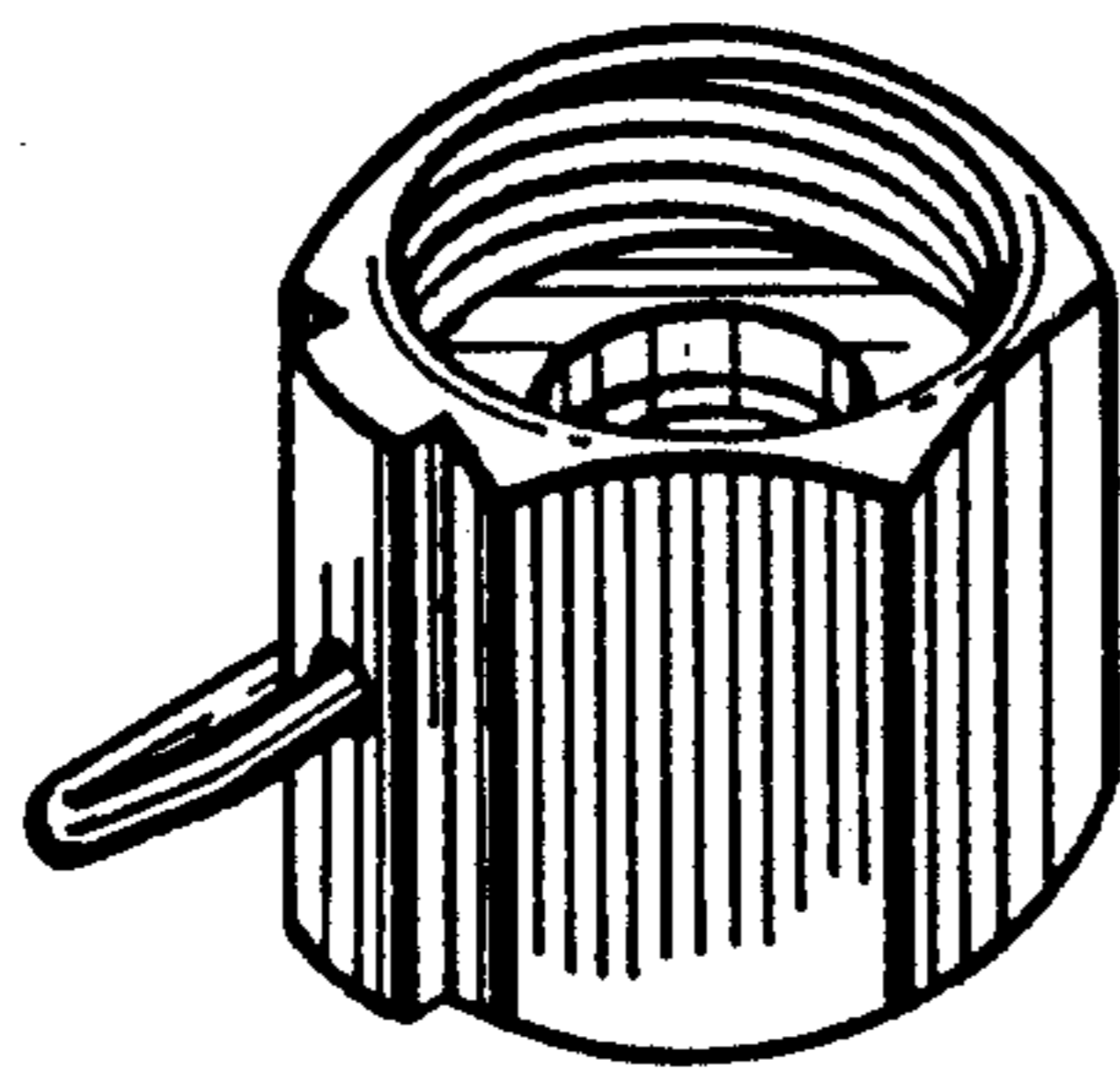


FIG. 7

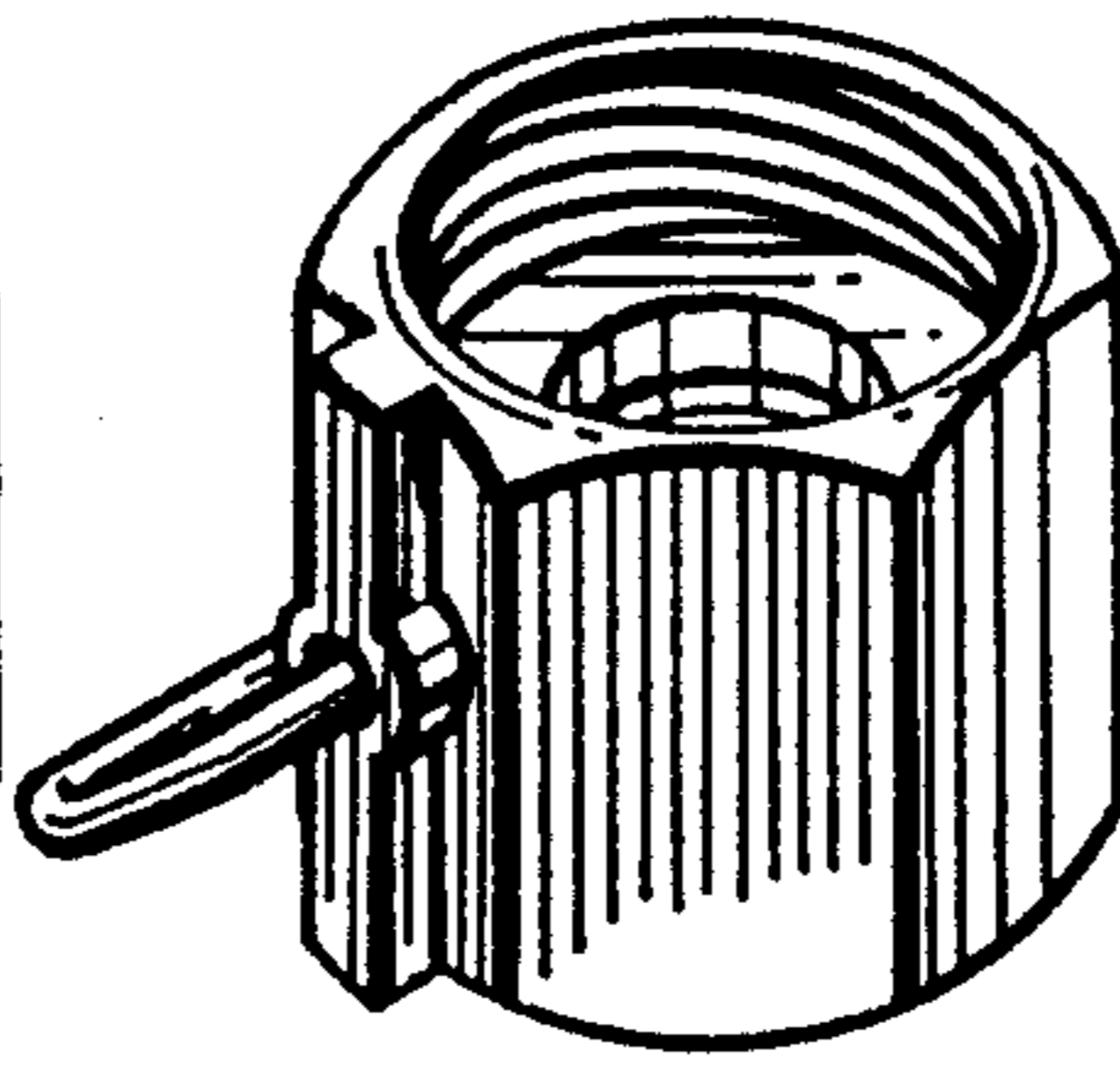


FIG. 8