

[54] ARROWHEAD

[76] Inventors: **Bruce Kania**, 77 S. 14th St., Bozeman, Mont. 59715; **William Walker**, 3141 Swetzer, Loomis, Calif. 95650

[\*\*] Term: 14 Years

[21] Appl. No.: 277,921

[22] Filed: Nov. 29, 1988

[52] U.S. Cl. .... D22/115

[58] Field of Search ..... D24/13, 24, 28; D22/115; 273/416, 419

[56] References Cited

U.S. PATENT DOCUMENTS

3,868,114 2/1975 Groner ..... 273/419

OTHER PUBLICATIONS

Bowhunters Discount Warehouse Catalog, Spring Edition 1986, p. 25, Pyramid Tip at bottom of page. V. Mueller & Co. Catalog No. 65, 1964, p. 324, Illustration A, Trocar Tips.

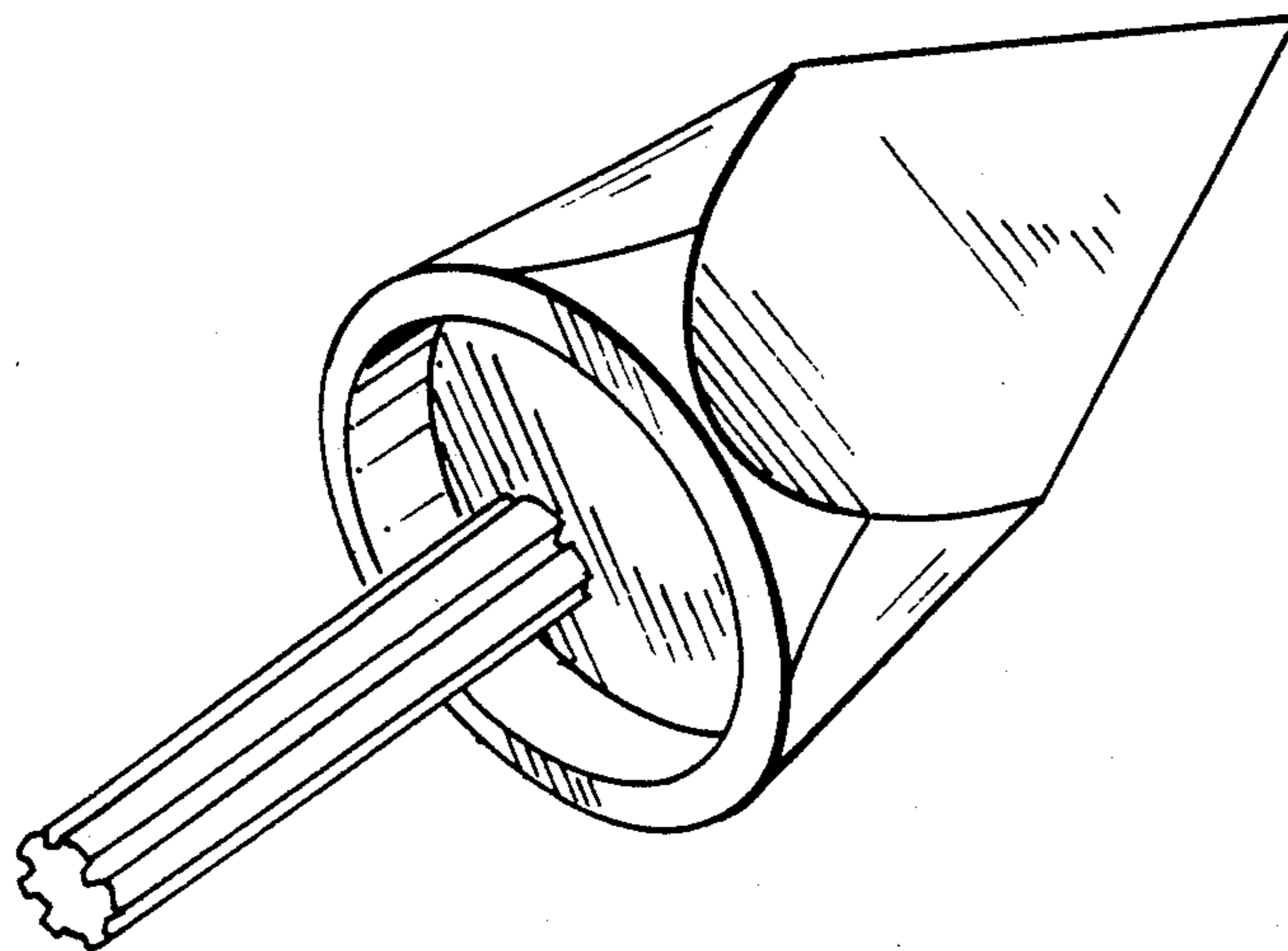
*Primary Examiner*—A. Hugo Word  
*Assistant Examiner*—Doris V. Coles  
*Attorney, Agent, or Firm*—Richard C. Conover

[57] CLAIM

The ornamental design for an arrowhead, as shown.

DESCRIPTION

FIG. 1 is a rear perspective view of an arrowhead, showing our new design;  
FIG. 2 is a front perspective view thereof;  
FIG. 3 is a front elevational view thereof;  
FIG. 4 is a side elevational view thereof;  
FIG. 5 is an end elevational view, taken from the left of FIG. 4; and  
FIG. 6 is an end elevational view taken from the right of FIG. 4.



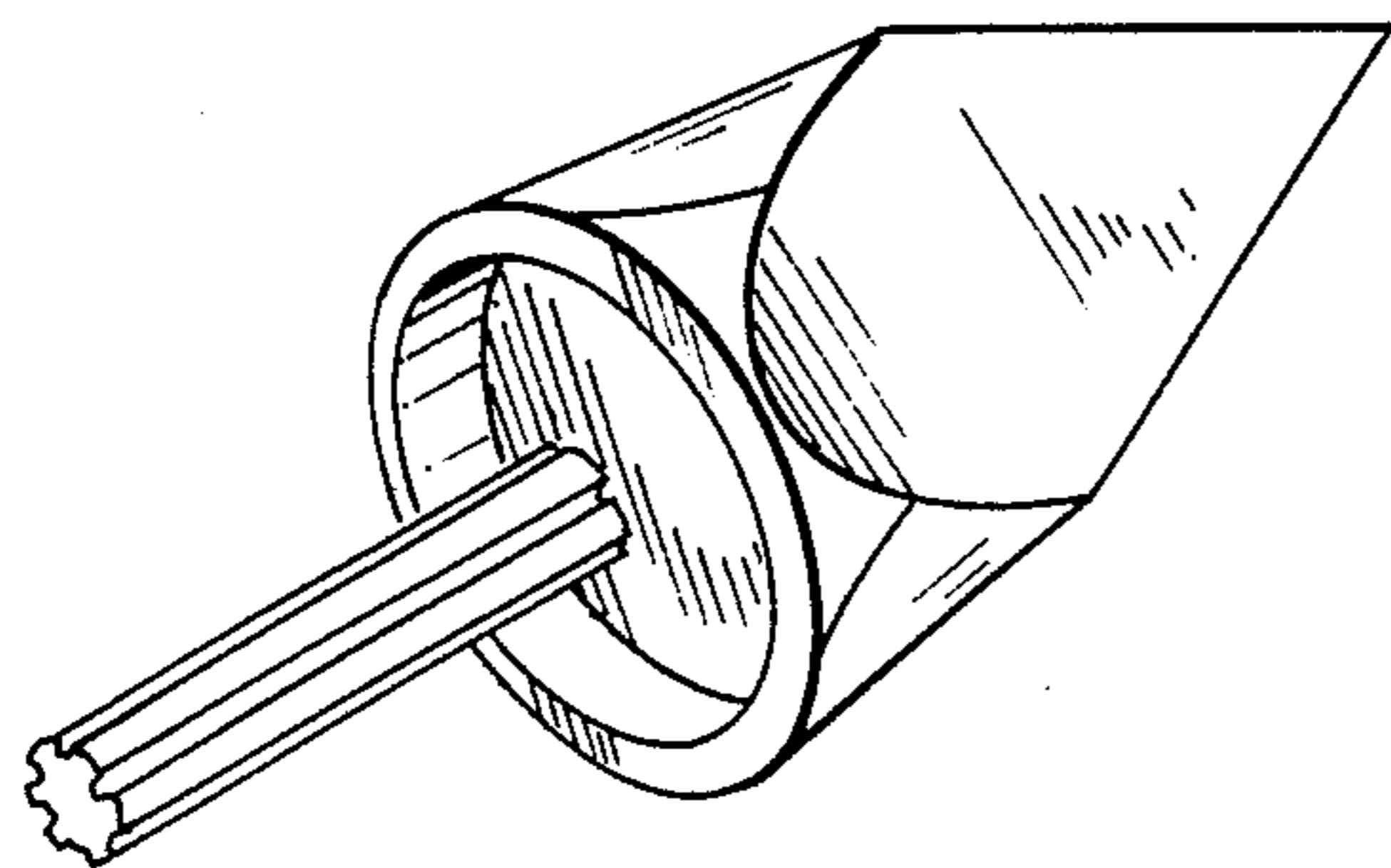


FIG. 1

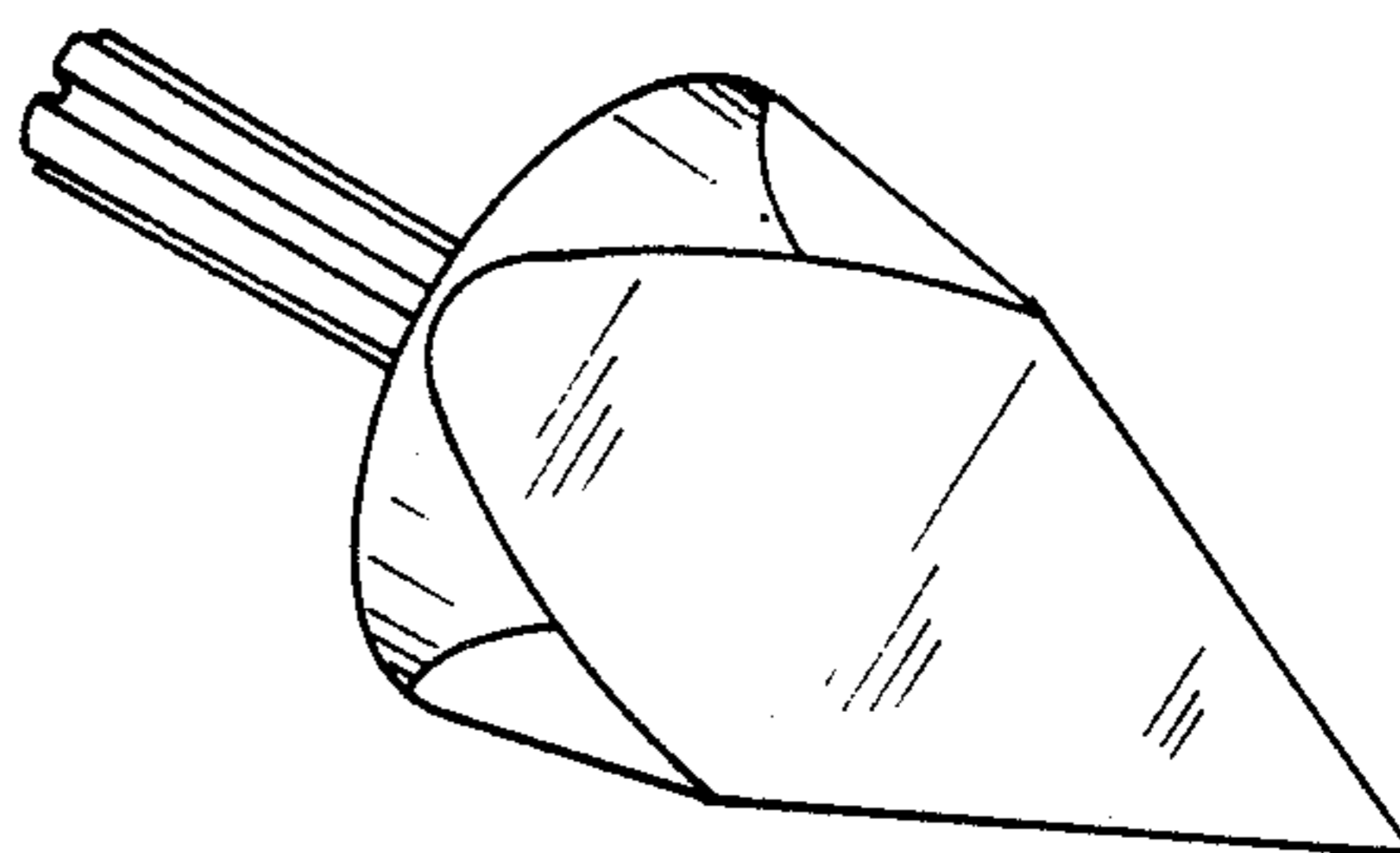


FIG. 2

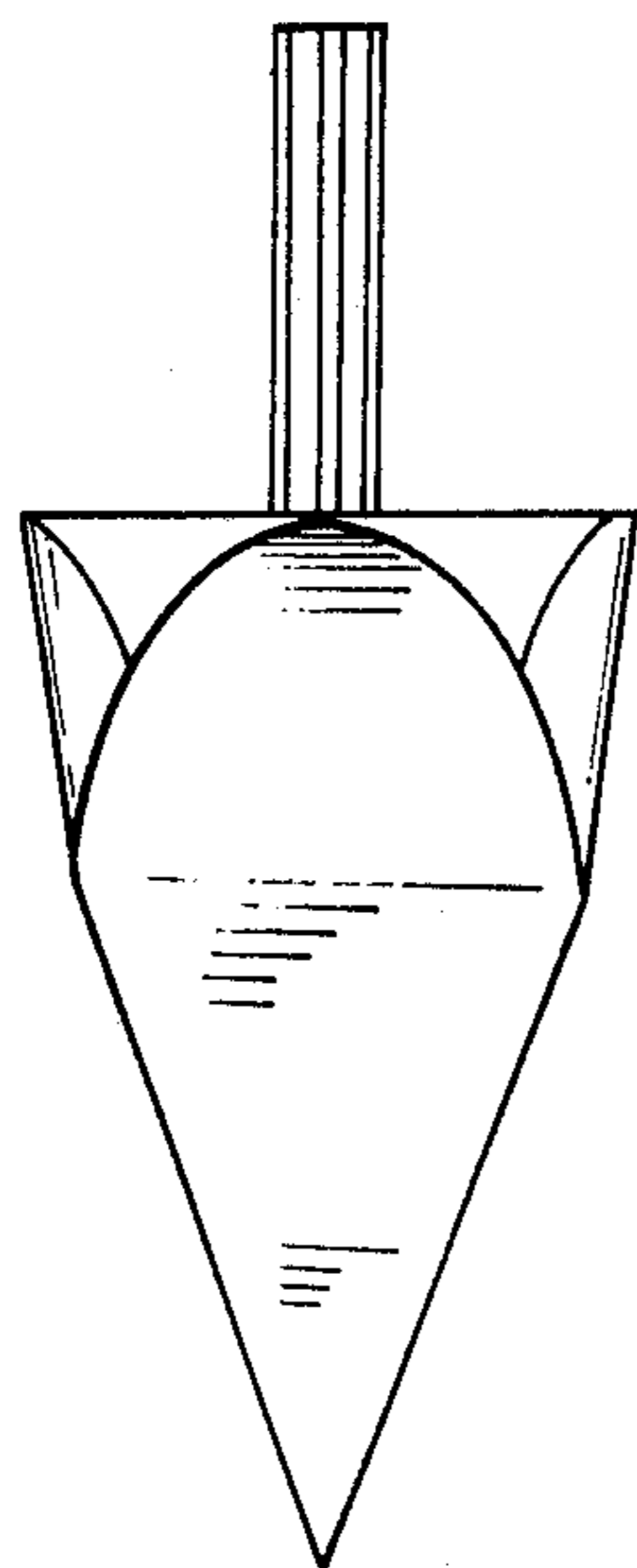


FIG. 3

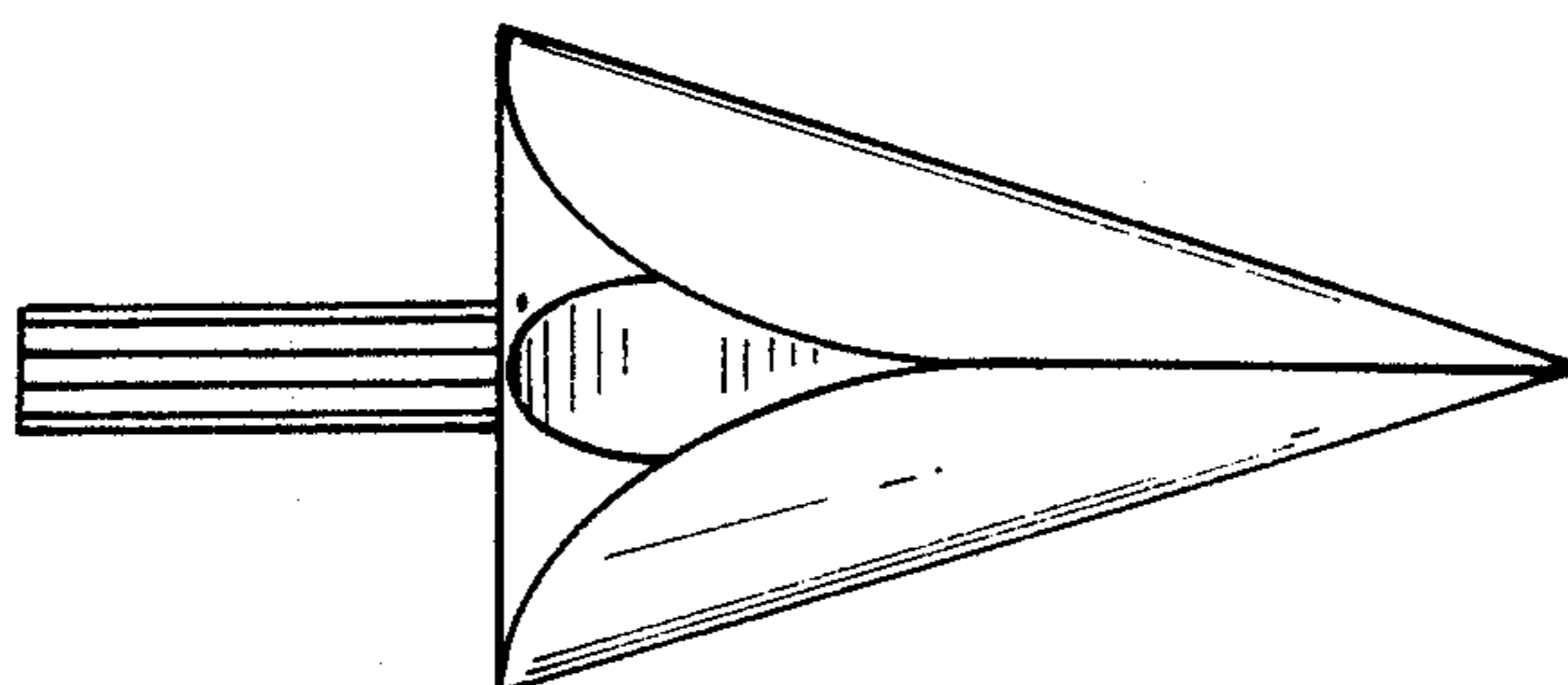


FIG. 4

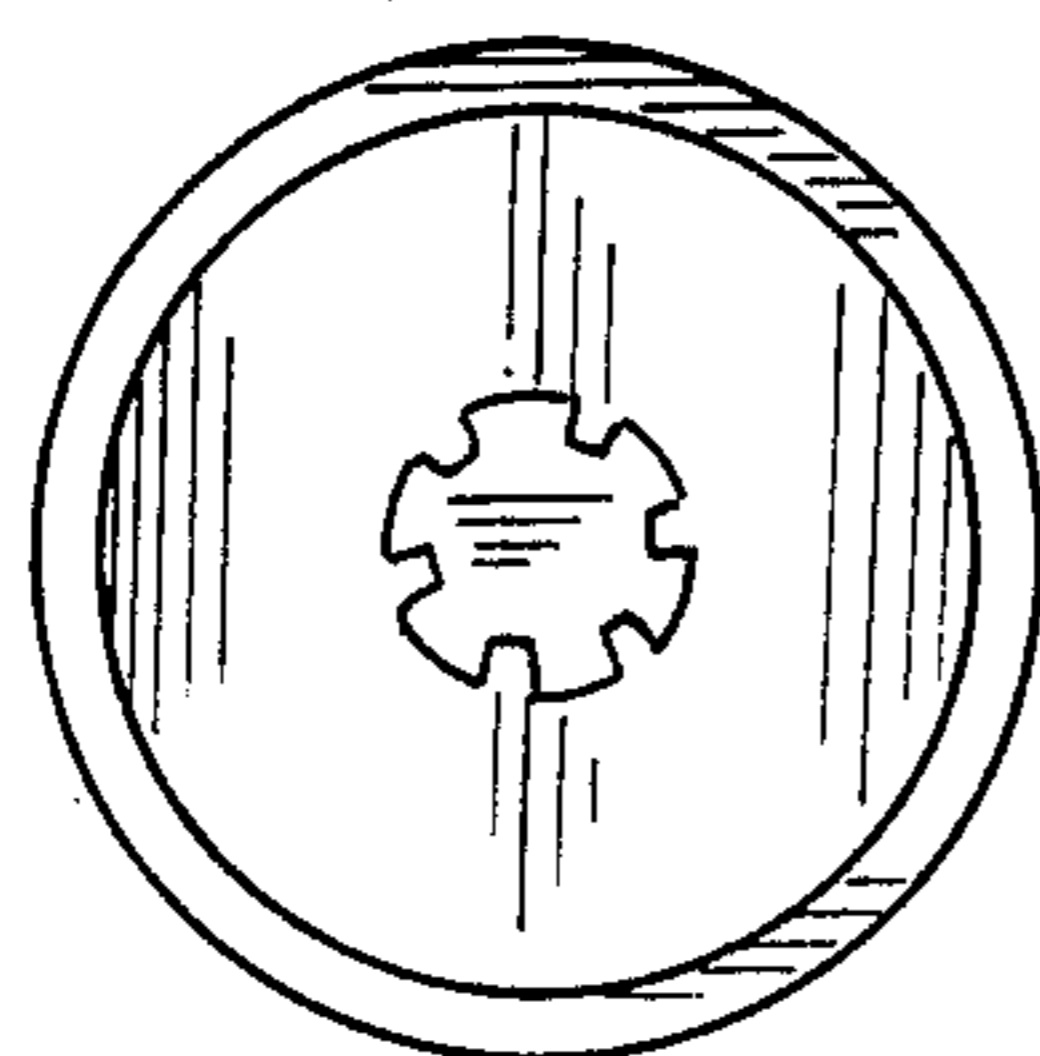


FIG. 5

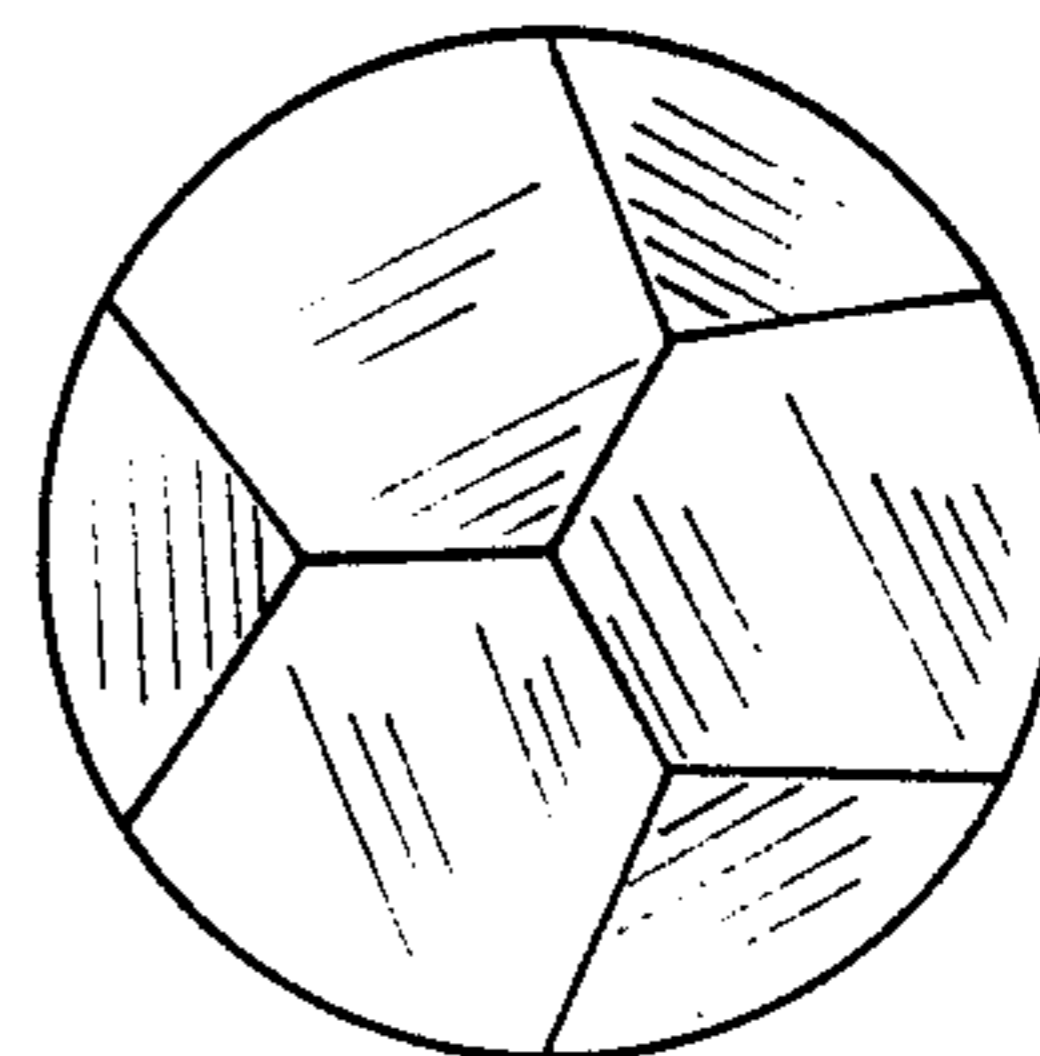


FIG. 6