

[54] **DOUBLE BACK SWING SEAT**  
 [76] **Inventor: Larry D. Campbell, Rte. 3, Box 296C, Tecumseh, Okla. 74873**  
 [\*\*] **Term: 14 Years**  
 [21] **Appl. No.: 43,236**  
 [22] **Filed: Apr. 27, 1987**  
 [52] **U.S. Cl. .... D21/246**  
 [58] **Field of Search ..... D21/240-252; D25/100-101, 62-69, 102-125; D6/335, 344, 347, 357, 370, 374-376, 380; 272/1 A, 1 R, 85, 56.5 R; 297/232, 244, 254, 277**

1098830 2/1961 Fed. Rep. of Germany ..... 297/244  
 1362067 4/1964 France ..... 446/482

**OTHER PUBLICATIONS**

Washington Post, 6/26/1977, Patio Swing.  
 Trio Aluminum Lawn & Garden Accessories, Trellis Panels, Model 12A32.

*Primary Examiner*—Bernard Ansher  
*Assistant Examiner*—C. Tuttle  
*Attorney, Agent, or Firm*—Glen M. Burdick

[56] **References Cited**

**U.S. PATENT DOCUMENTS**

D. 35,474 12/1901 Glentzer ..... D25/100  
 D. 57,644 4/1921 Haase ..... D6/370 X  
 D. 106,242 9/1937 Salomon ..... D6/357  
 D. 226,112 1/1973 Tomalinas ..... D6/346 X  
 D. 266,545 10/1982 Caldwell ..... D6/357  
 657,111 9/1900 Hayes ..... 272/85  
 2,279,946 4/1942 Johnson ..... 297/244  
 3,462,195 8/1969 Allen ..... 272/85 X

**FOREIGN PATENT DOCUMENTS**

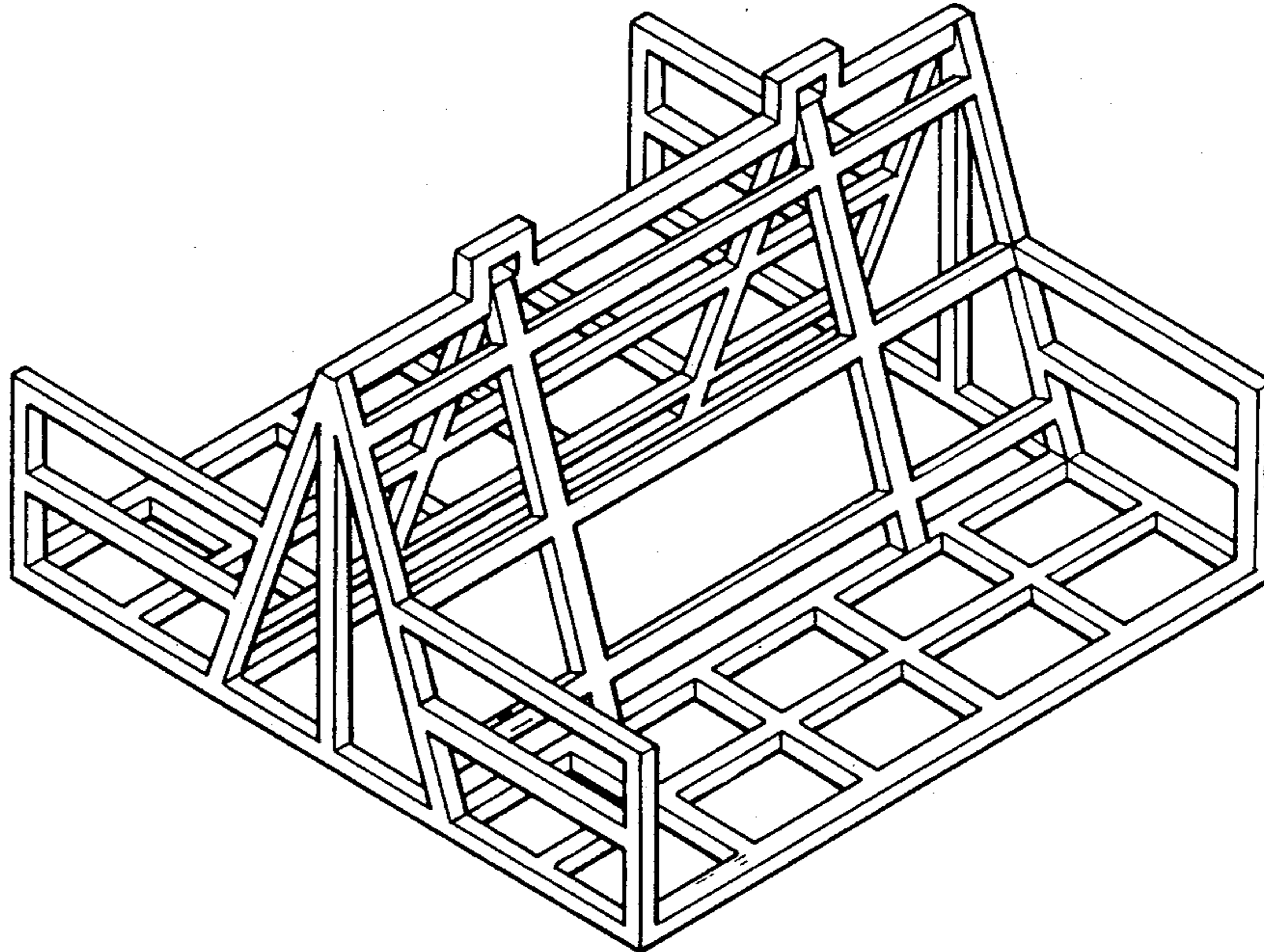
227884 4/1960 Australia ..... 272/85

[57] **CLAIM**

The ornamental design for a double back swing seat, as shown and described.

**DESCRIPTION**

FIG. 1 is a front elevational view of a double back swing seat showing my new design;  
 FIG. 2 is a rear elevational view thereof;  
 FIG. 3 is a left side elevational view thereof;  
 FIG. 4 is a right side elevational view thereof;  
 FIG. 5 is a top plan view thereof;  
 FIG. 6 is a bottom plan view thereof;  
 FIG. 7 is a top perspective view thereof rotated 90° from the left of FIG. 1; and  
 FIG. 8 is a bottom perspective view thereof rotated 90° from the left of FIG. 6.



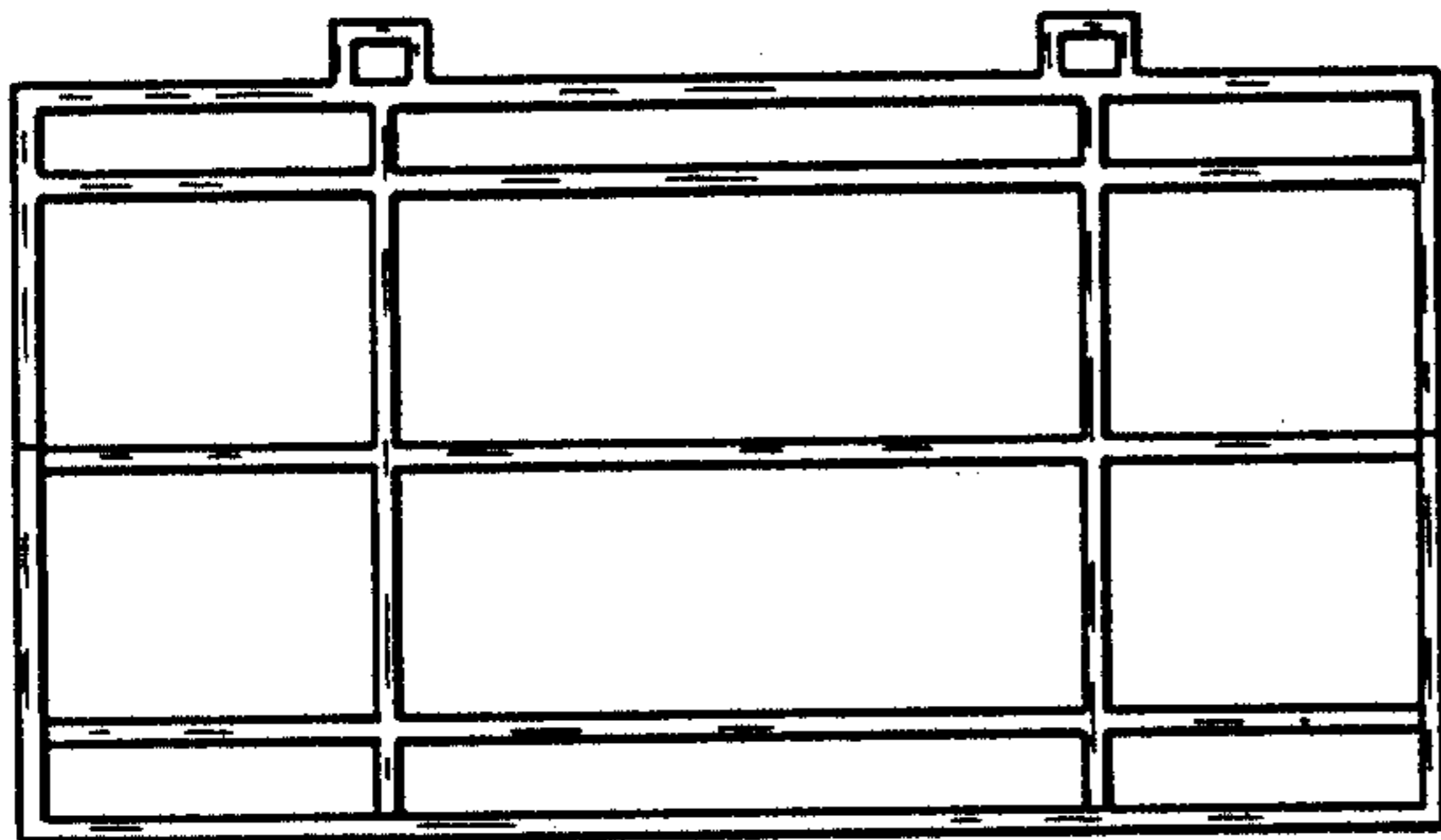


Fig. 1

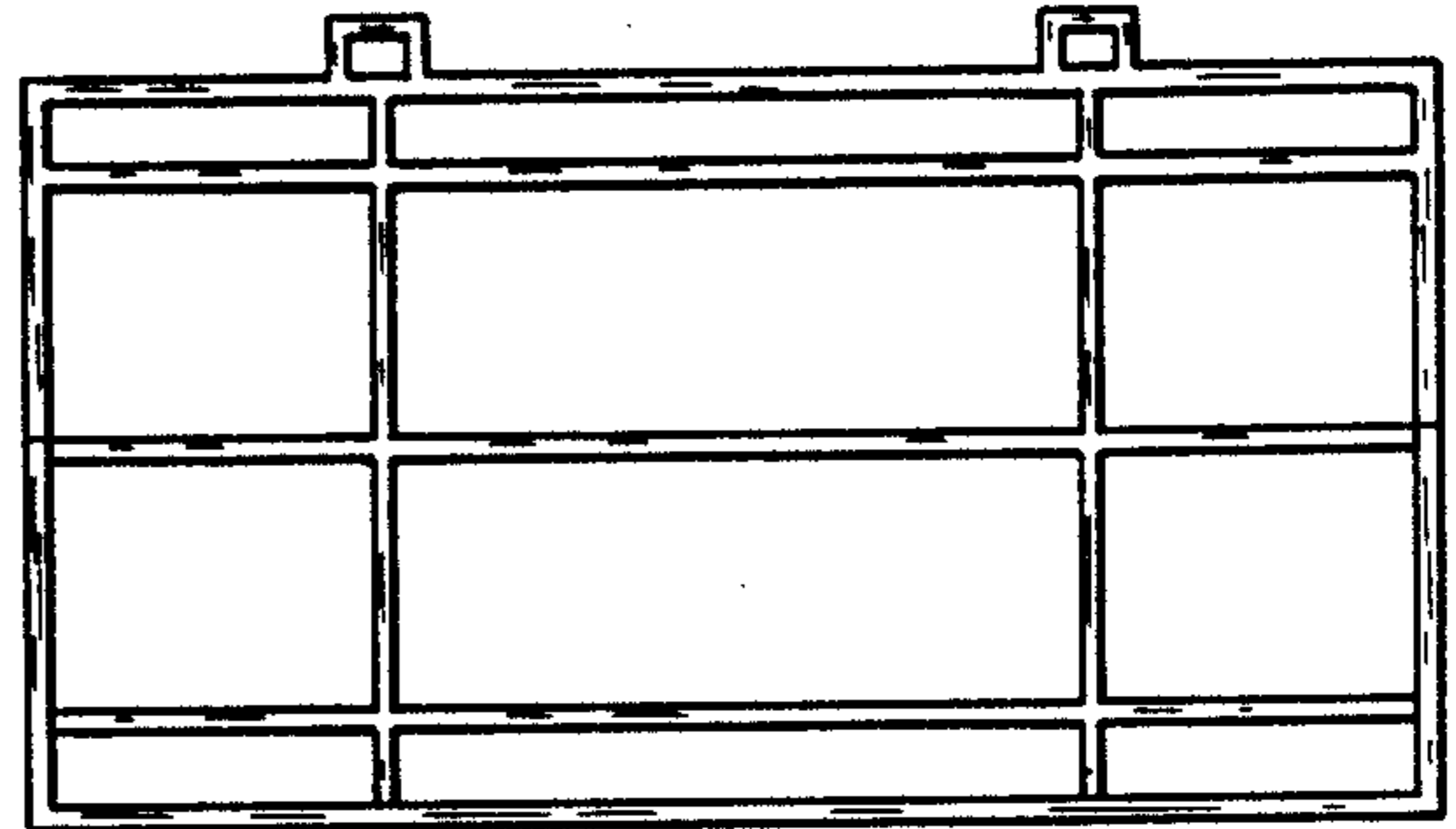


Fig. 2

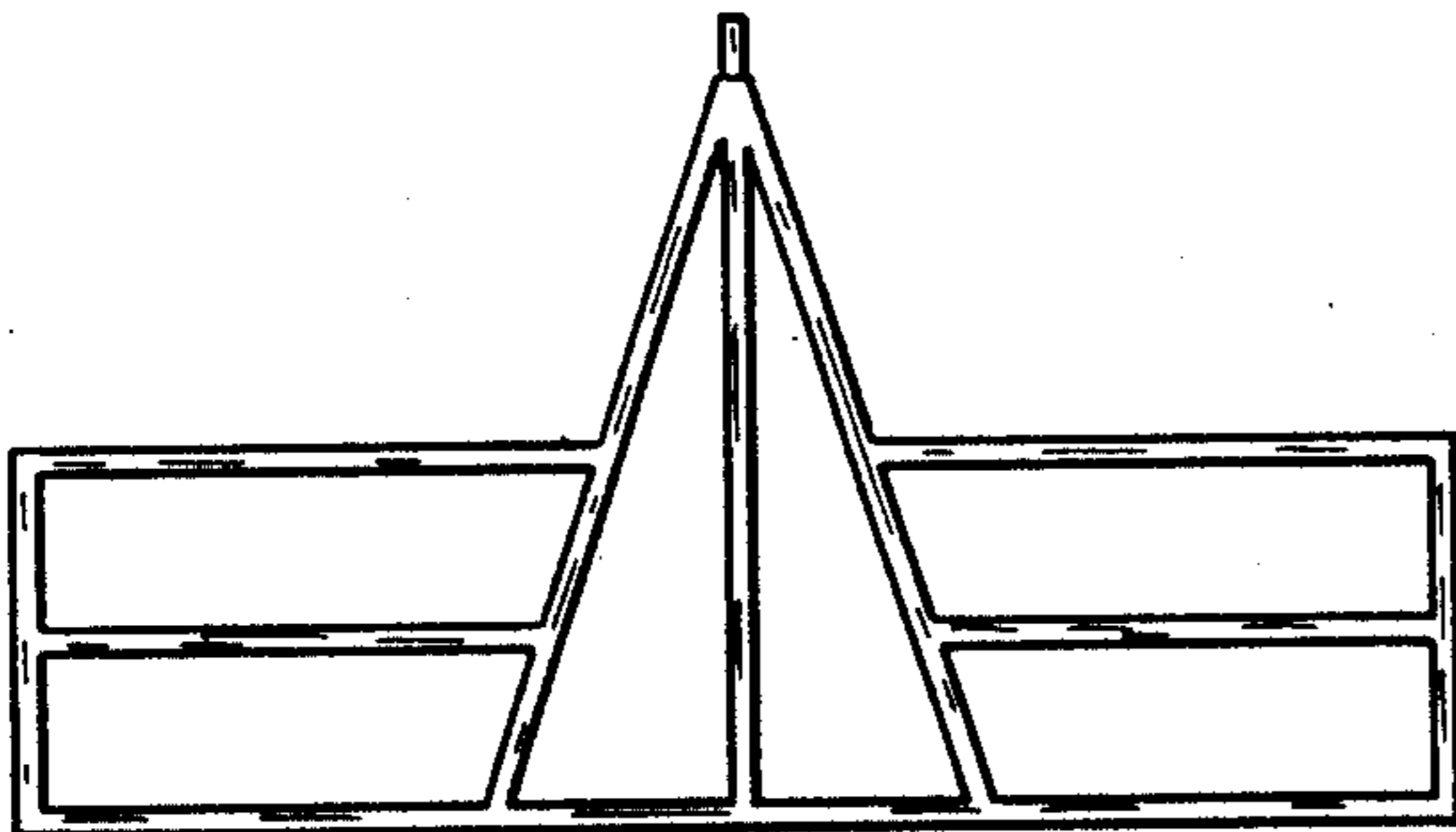


Fig. 3

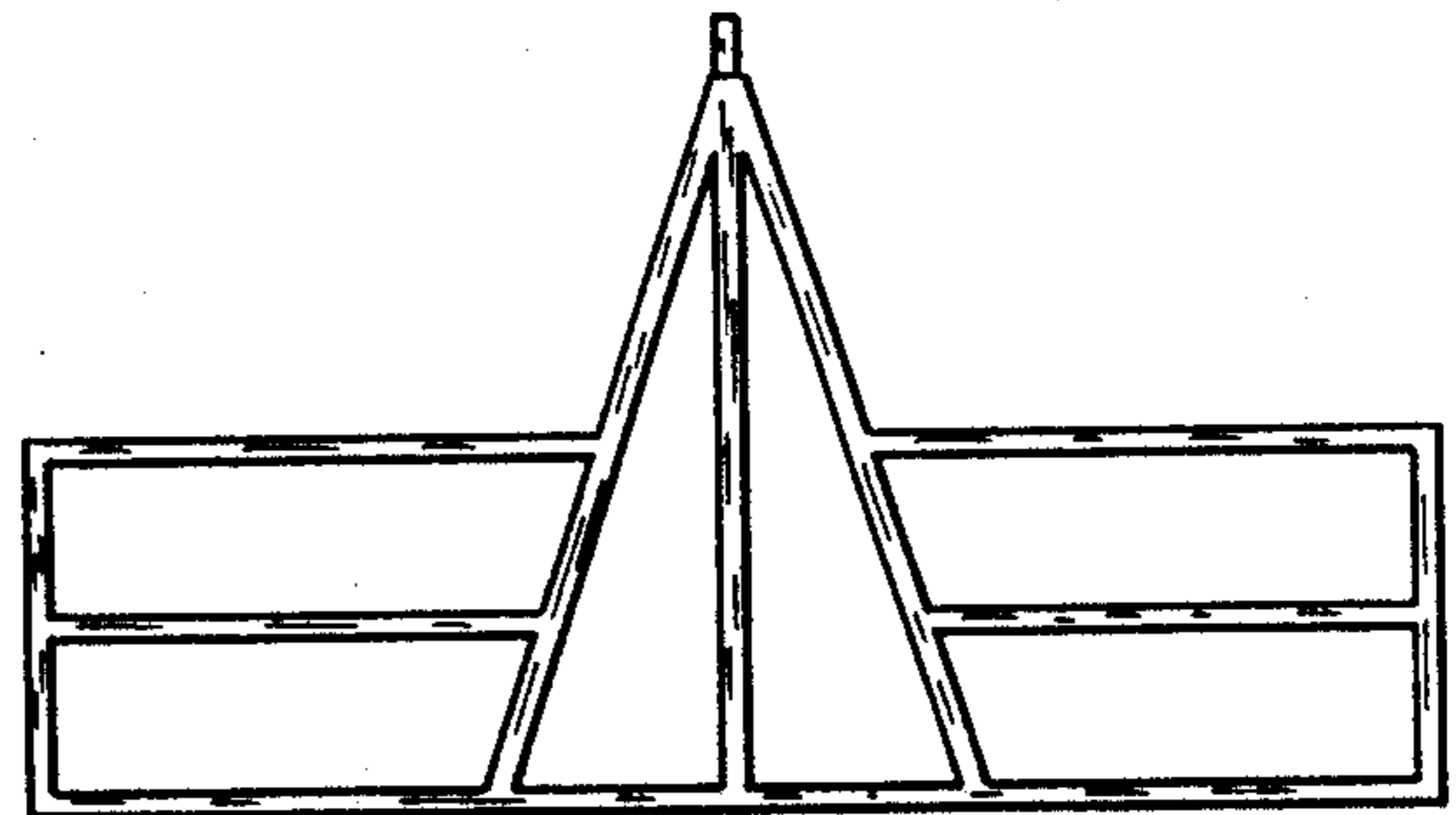


Fig. 4

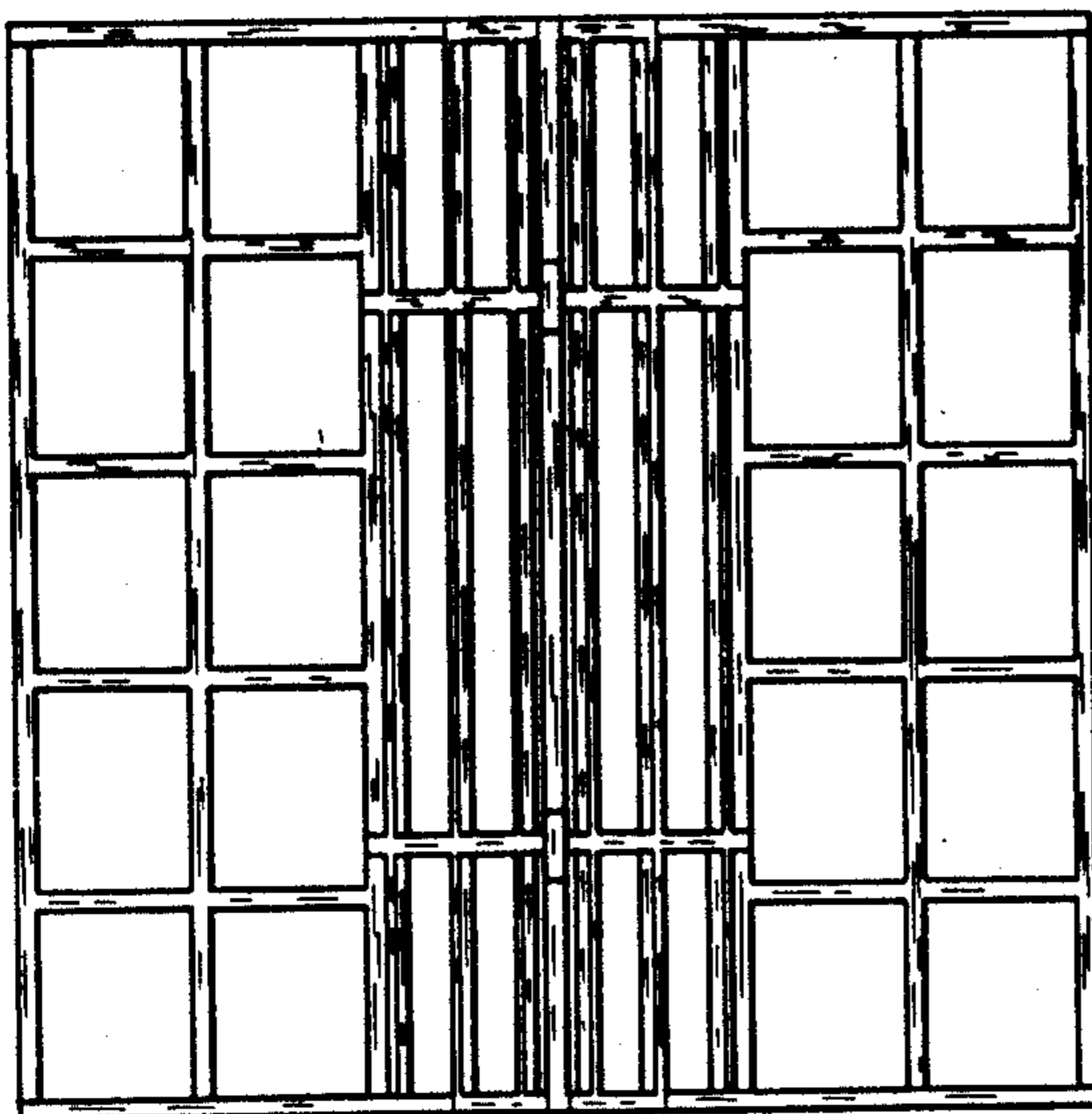


Fig. 5

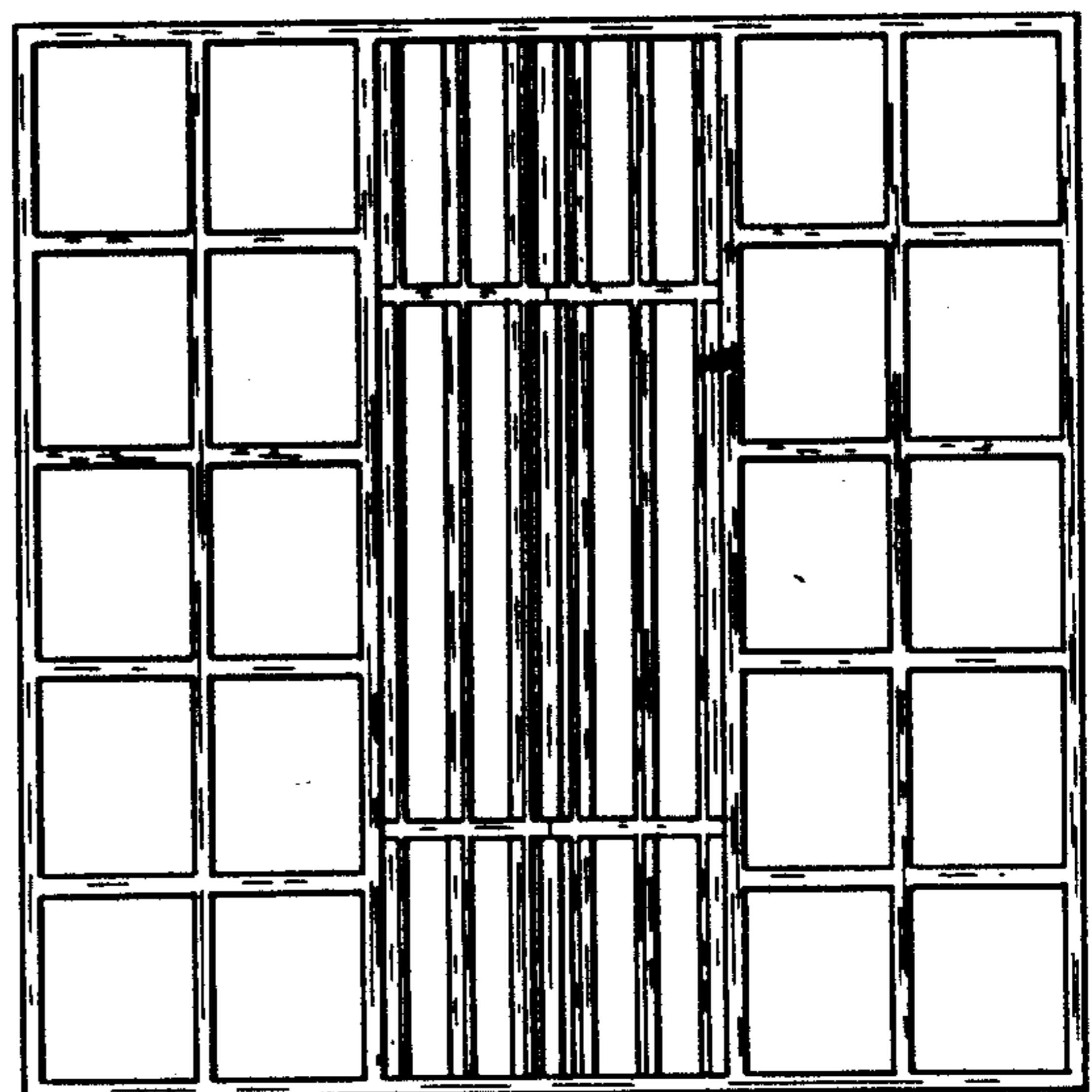


Fig. 6

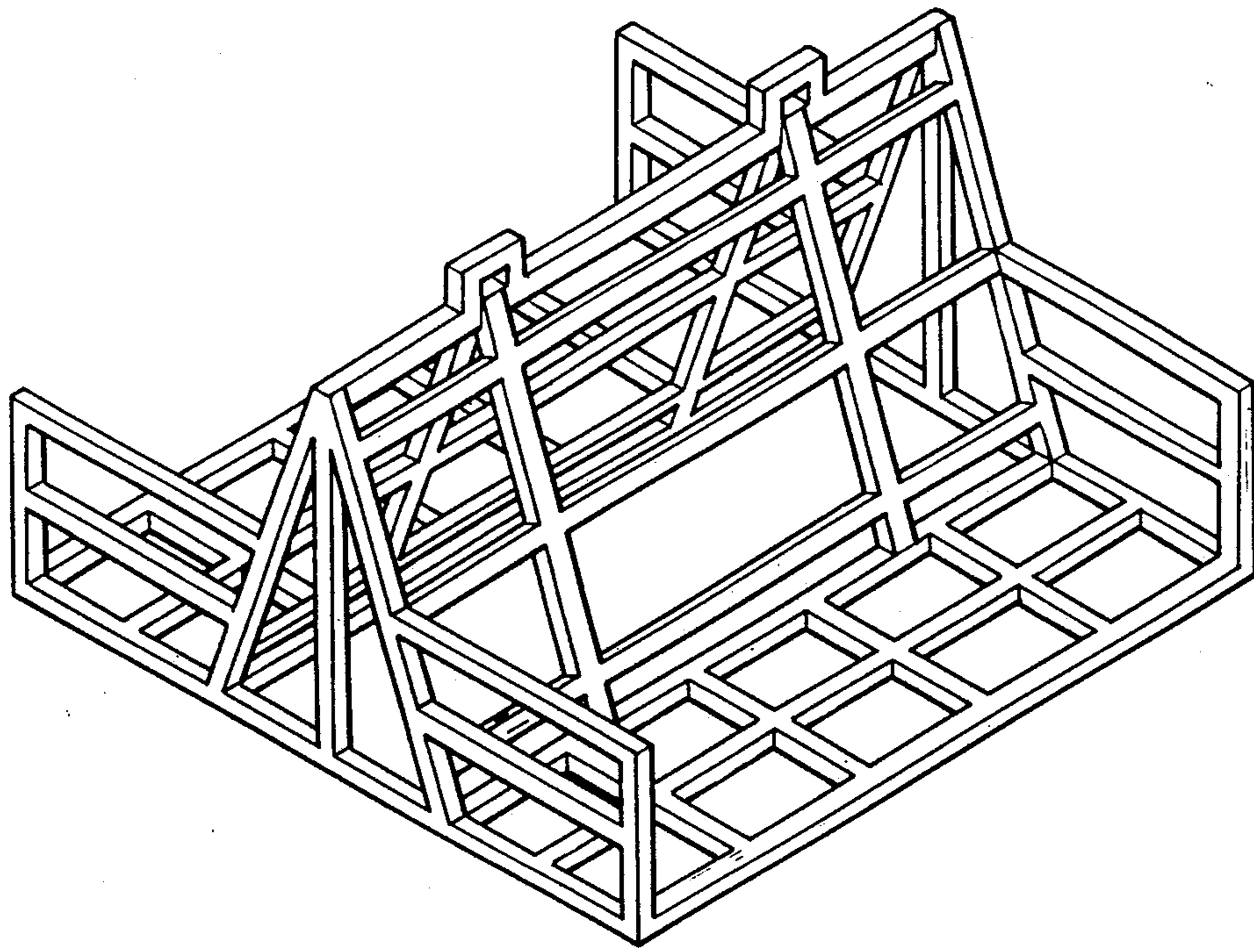


Fig. 7

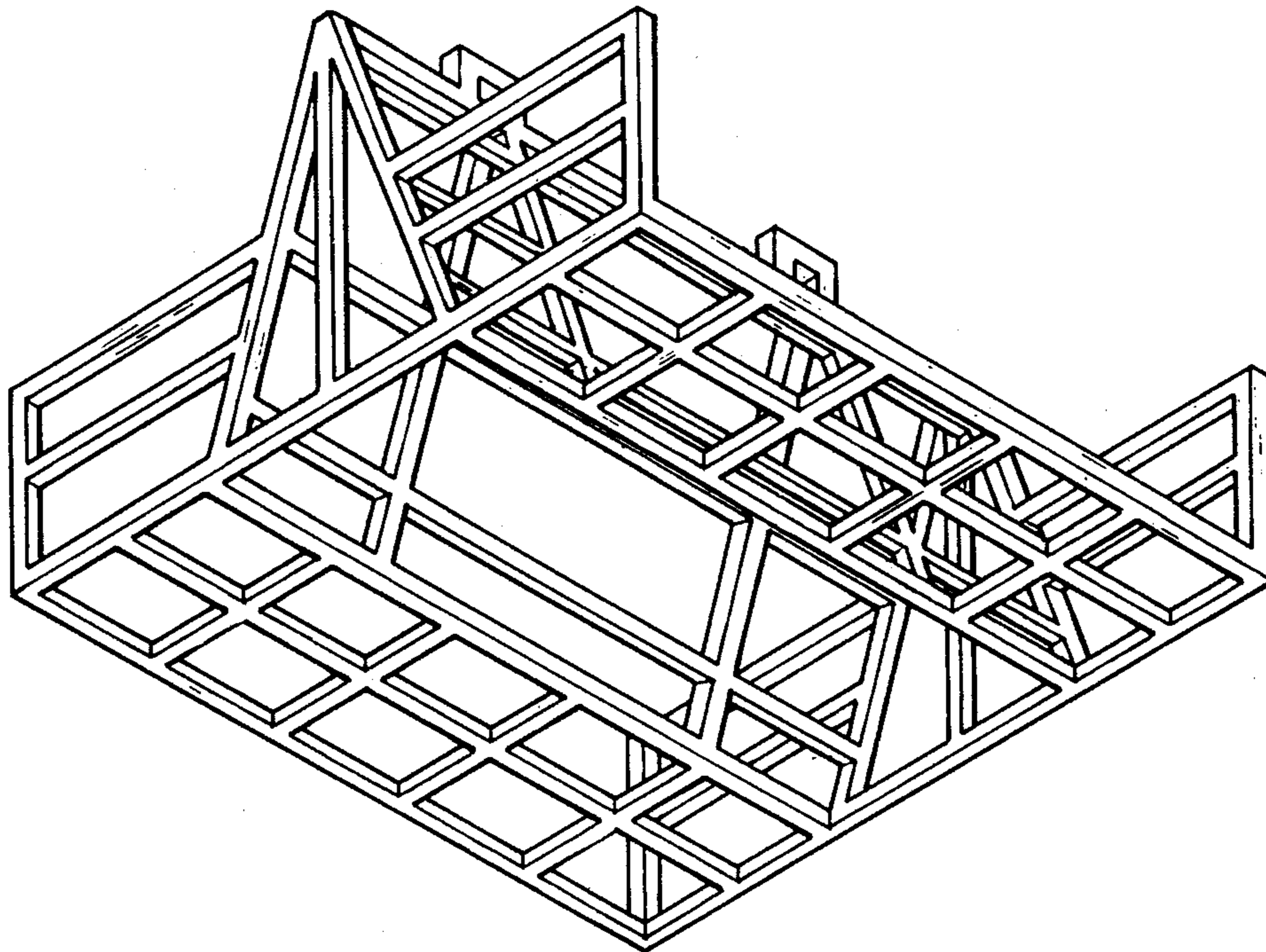


Fig. 8