

United States Patent [19]

Fry

[11] Patent Number: **Des. 310,550**

[45] Date of Patent: **** Sep. 11, 1990**

[54] **HOUSING FOR EXERCISE CYCLE OR SIMILAR ARTICLE**

[75] Inventor: **Roger P. Fry, Llantwit Major, United Kingdom**

[73] Assignee: **Gympac Systems Limited, Barry, United Kingdom**

[**] Term: **14 Years**

[21] Appl. No.: **168,331**

[22] Filed: **Mar. 15, 1988**

[30] **Foreign Application Priority Data**

Sep. 19, 1987 [GB] United Kingdom 1045001

[52] U.S. Cl. **D21/194**

[58] Field of Search D21/191-199;
272/70.3, 73, 132; 73/379

[56] **References Cited**

U.S. PATENT DOCUMENTS

D. 250,284 11/1978 Borck D21/194

D. 279,811 7/1985 Nakao D21/194
4,786,049 11/1988 Lautenschlager 272/73

OTHER PUBLICATIONS

Popular Science, 2-1982, p. 103, "AMF's Computrim 900".

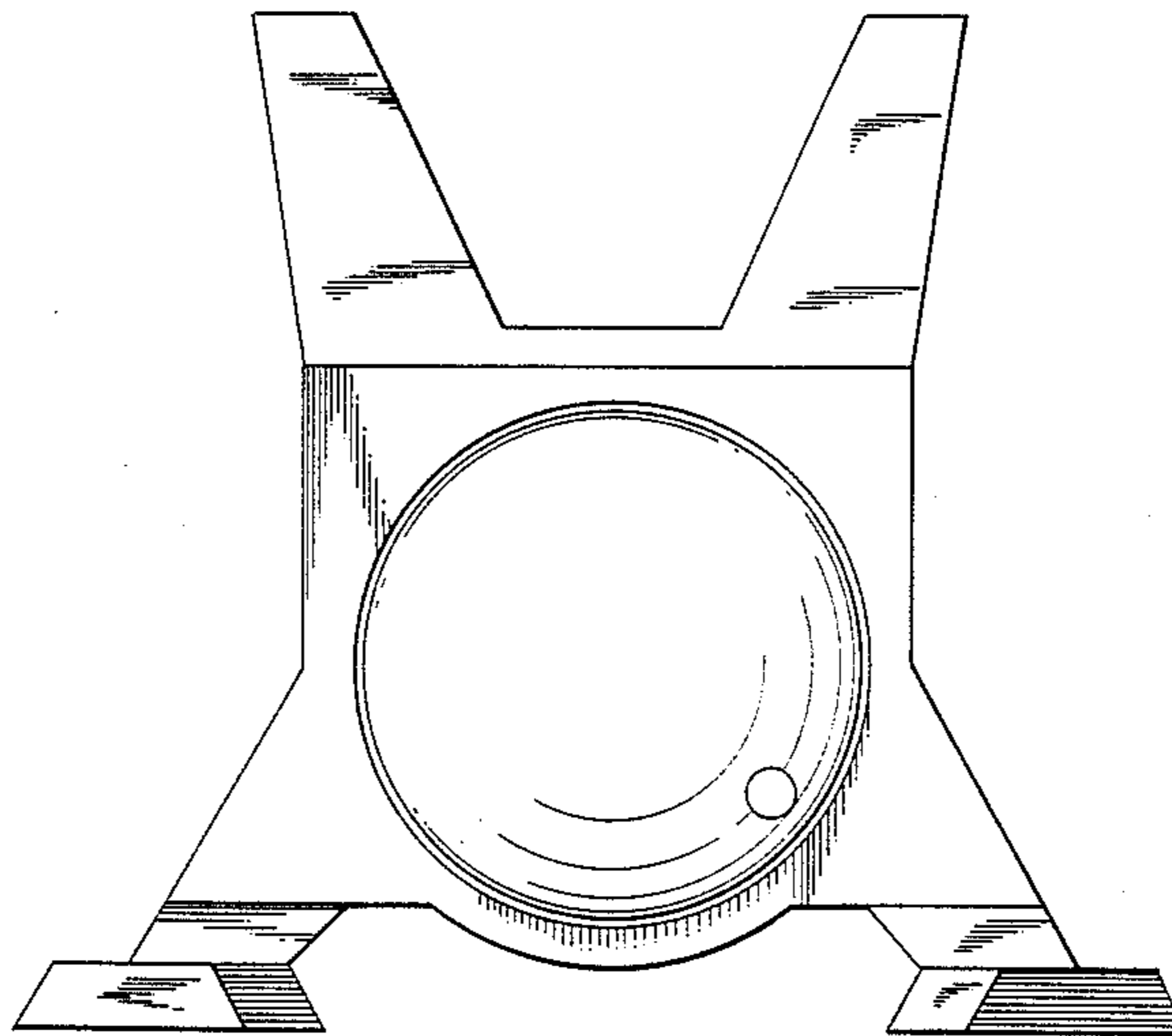
Primary Examiner—Charles A. Rademaker
Attorney, Agent, or Firm—Young & Thompson

[57] **CLAIM**

The ornamental design for a housing for exercise cycle or similar article, as shown and described.

DESCRIPTION

FIG. 1 is a side elevational view of a housing for exercise cycle or similar article, showing my new design, the side opposite being substantially a mirror image; FIG. 2 is an end elevational view thereof, the end opposite being substantially a mirror image; FIG. 3 is a perspective view thereof; FIG. 4 is a top plan view thereof; and FIG. 5 is a bottom plan view thereof.



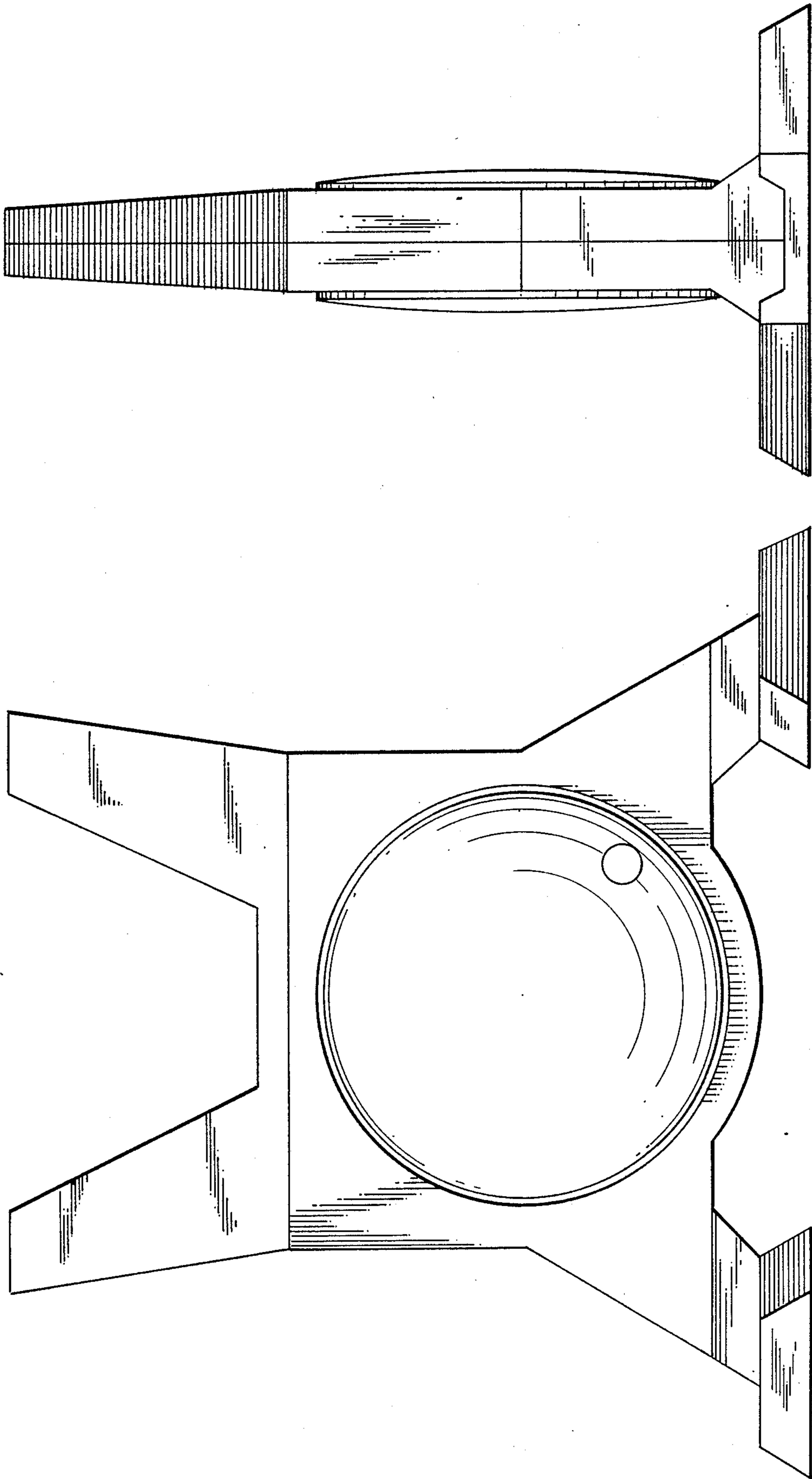


FIG. 1

FIG. 2

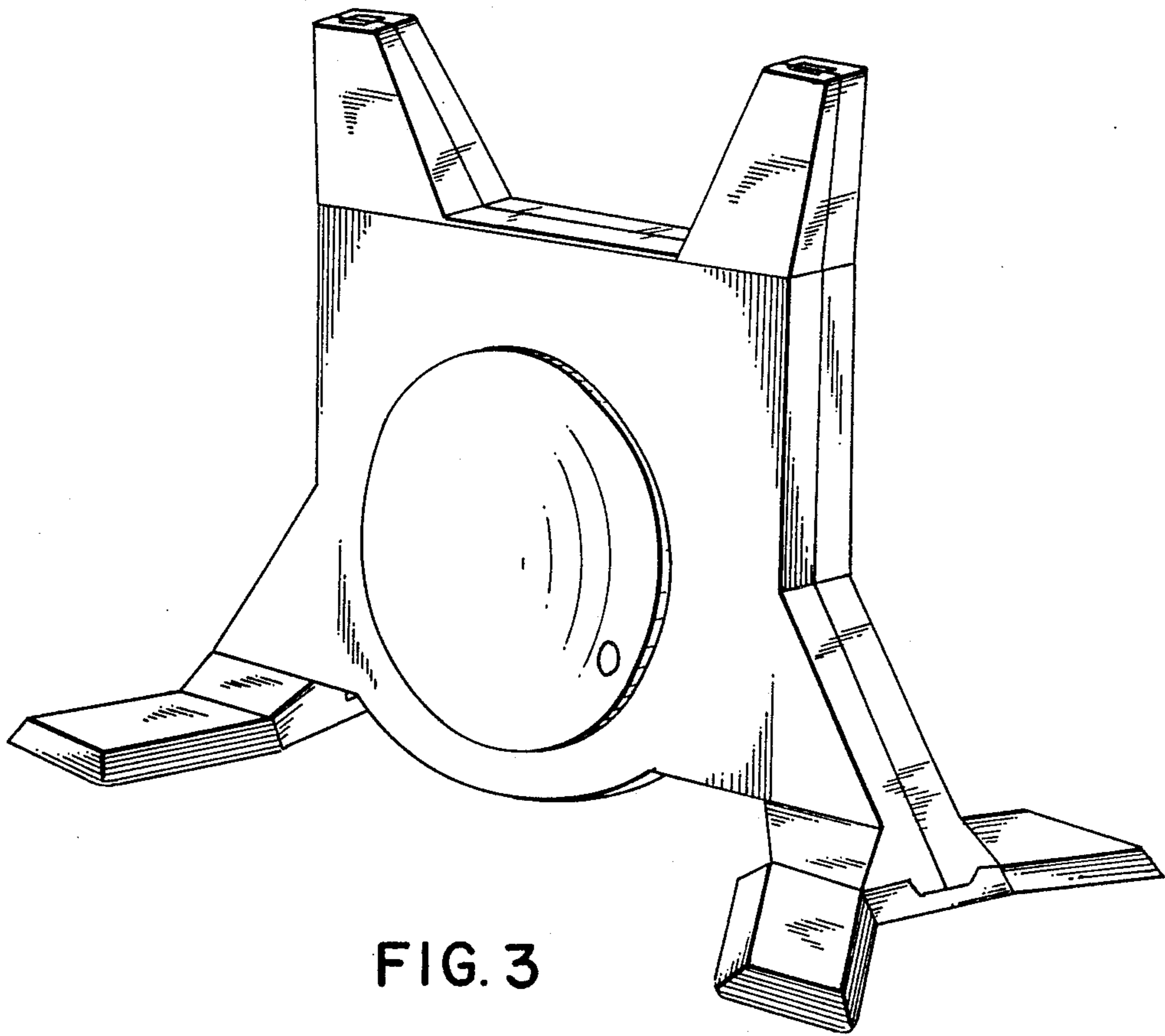


FIG. 3

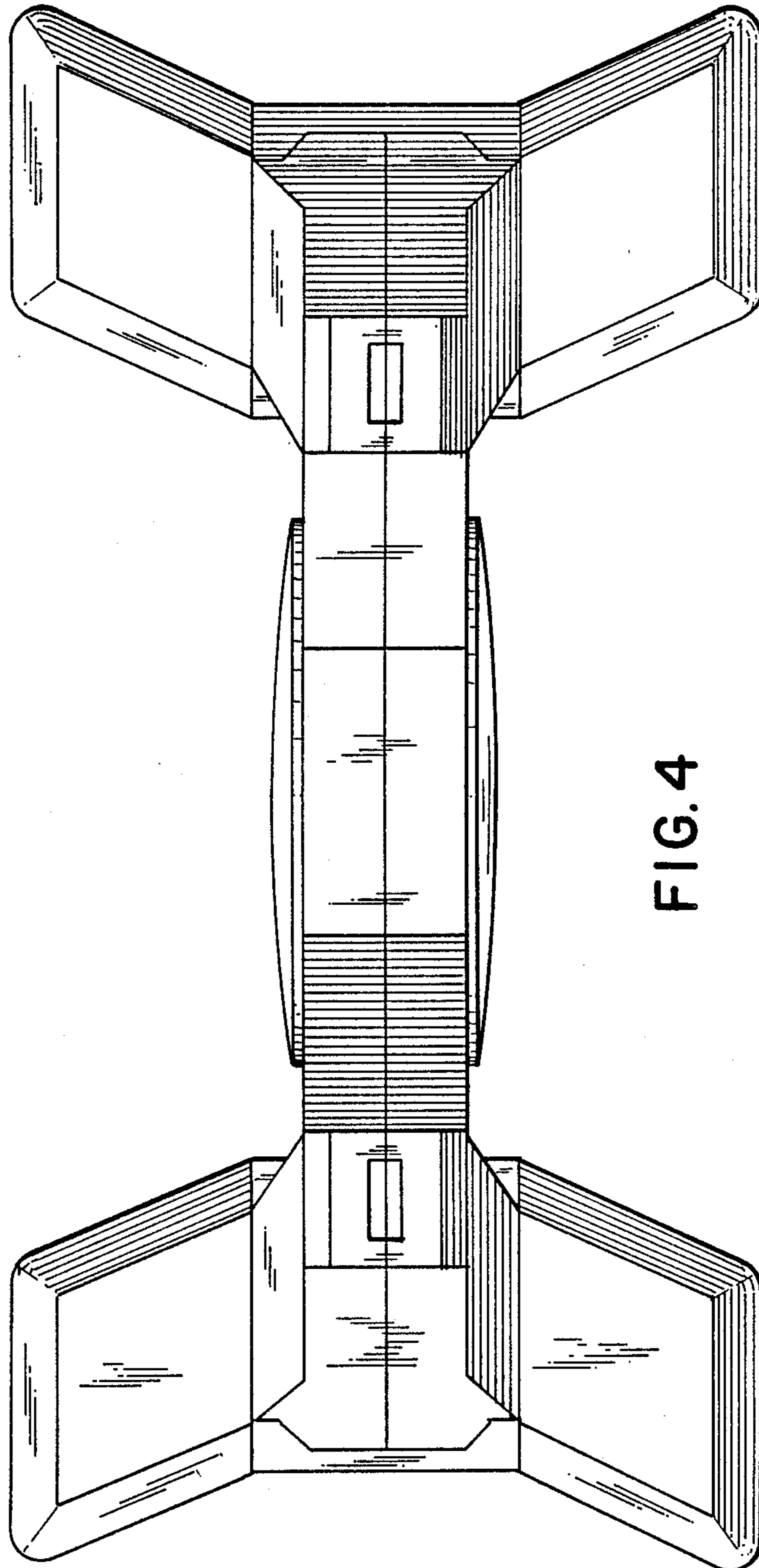


FIG. 4

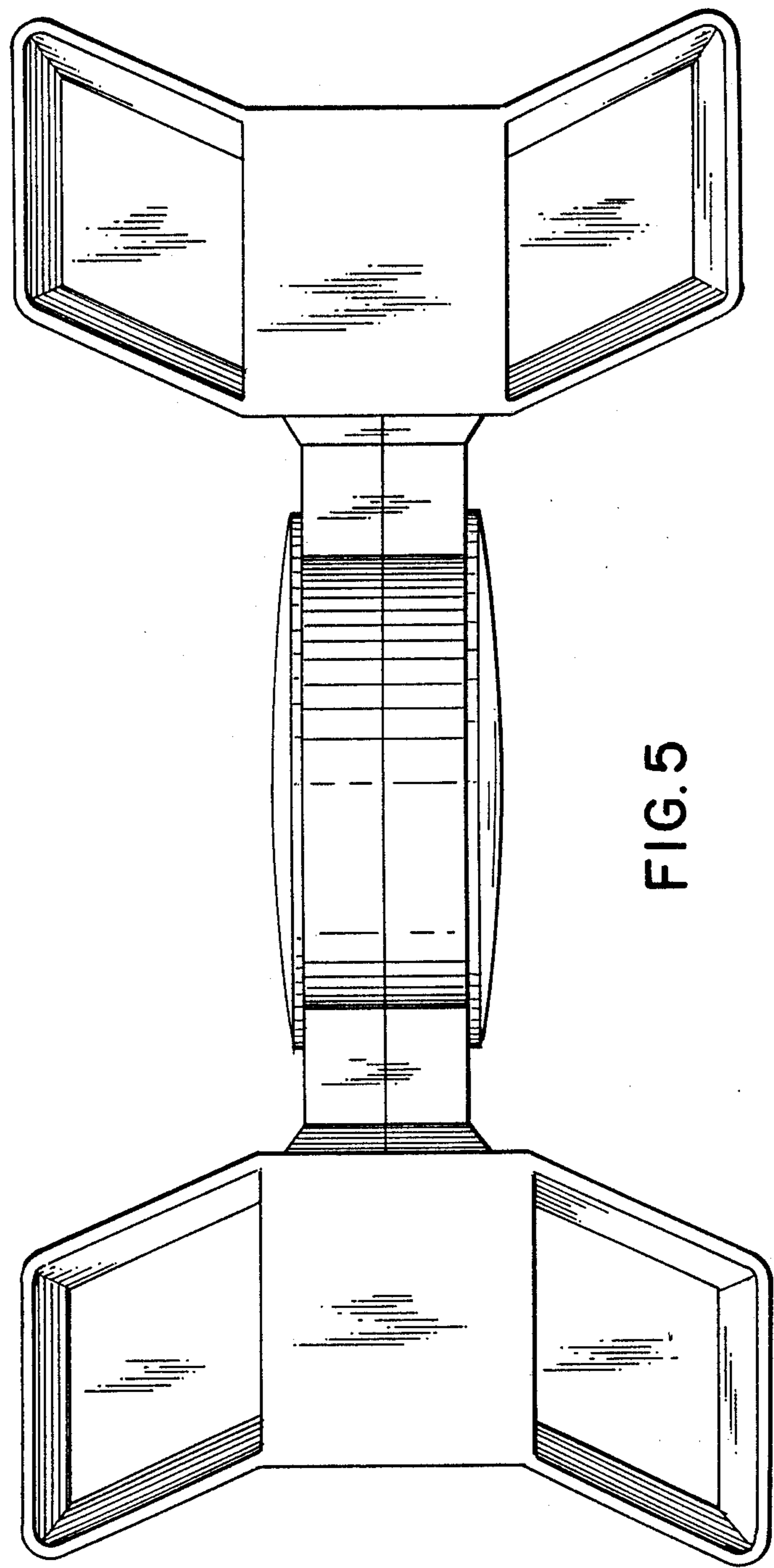


FIG. 5