

[54] TONER CARTRIDGE FOR A COPYING MACHINE

[75] Inventor: Yoshitake Miyoshi, Ikoma, Japan

[73] Assignee: Mita Industrial Co., Ltd., Osaka, Japan

[**] Term: 14 Years

[21] Appl. No.: 143,552

[22] Filed: Jan. 13, 1988

[30] Foreign Application Priority Data

Aug. 27, 1987 [JP] Japan 62-35019

[52] U.S. Cl. D18/43

[58] Field of Search D18/22, 43; D9/309, D9/373, 385, 390, 393, 399, 415, 418, 424, 425, 432; 206/316, 446, 461, 474, 495, 532, 601, 628, 631; 222/DIG. 1, 166, 325; 355/200, 245, 260

[56] References Cited

U.S. PATENT DOCUMENTS

D. 245,761 9/1977 Alseth et al. D18/43
D. 298,337 11/1988 Iseki D18/43

FOREIGN PATENT DOCUMENTS

0177372 9/1985 Japan 355/260
0170760 8/1986 Japan 355/260

OTHER PUBLICATIONS

IBM Technical Disclosure Bulletin; vol. 17, No. 12, May 1975.

Primary Examiner—Nelson C. Holtje
Assistant Examiner—Caron D. Veynar
Attorney, Agent, or Firm—Beveridge, DeGrandi & Weilacher

[57] CLAIM

The ornamental design for a toner cartridge for a copying machine, as shown.

DESCRIPTION

FIG. 1 is a left, front perspective view of a toner cartridge for a copying machine showing my new design; FIG. 2 is a front elevational view thereof; FIG. 3 is a rear elevational view thereof; FIG. 4 is a right side elevational view thereof; FIG. 5 is a top plan view thereof; FIG. 6 is a left side elevational view thereof; and FIG. 7 is a bottom plan view thereof.

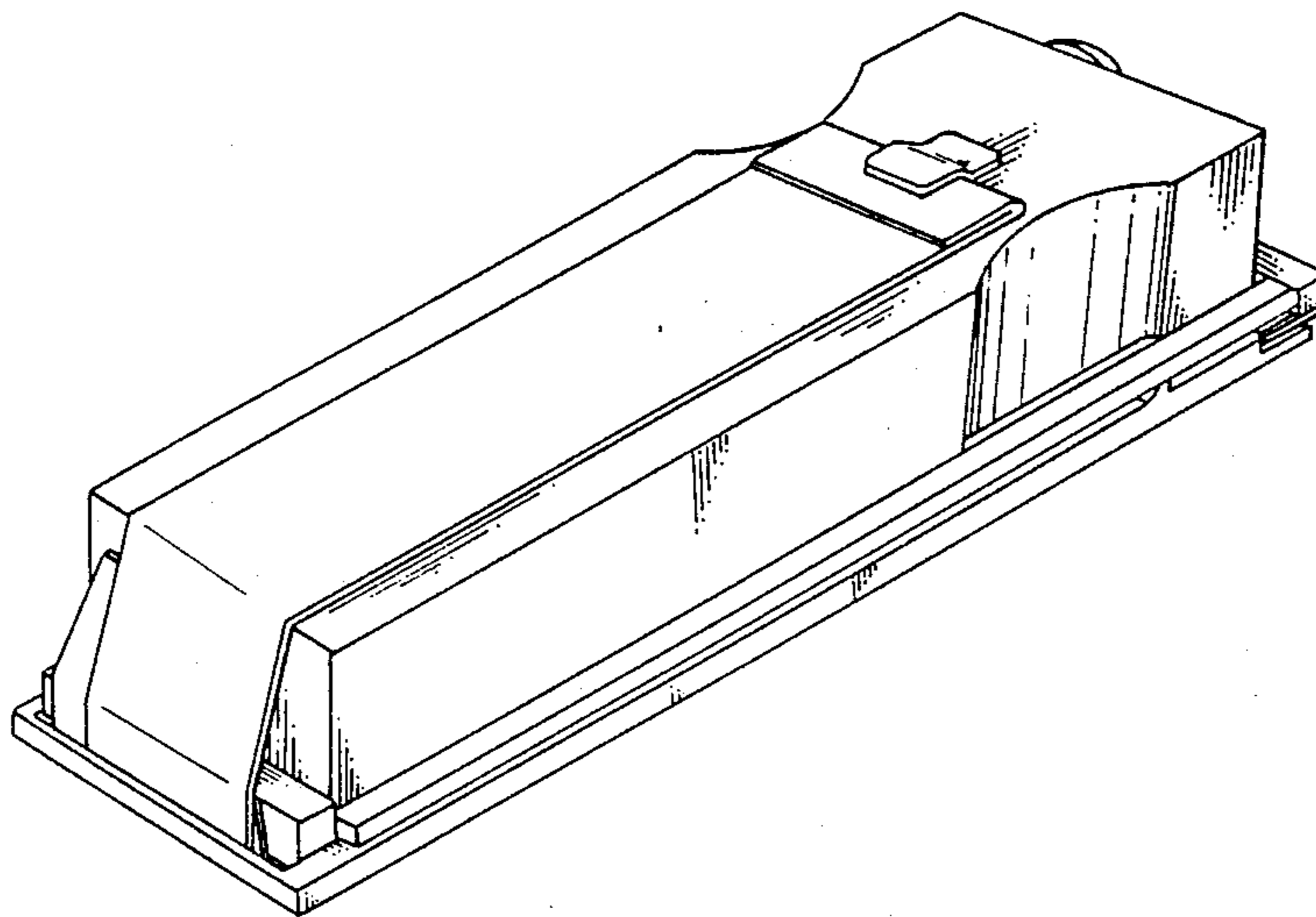


FIG. 1

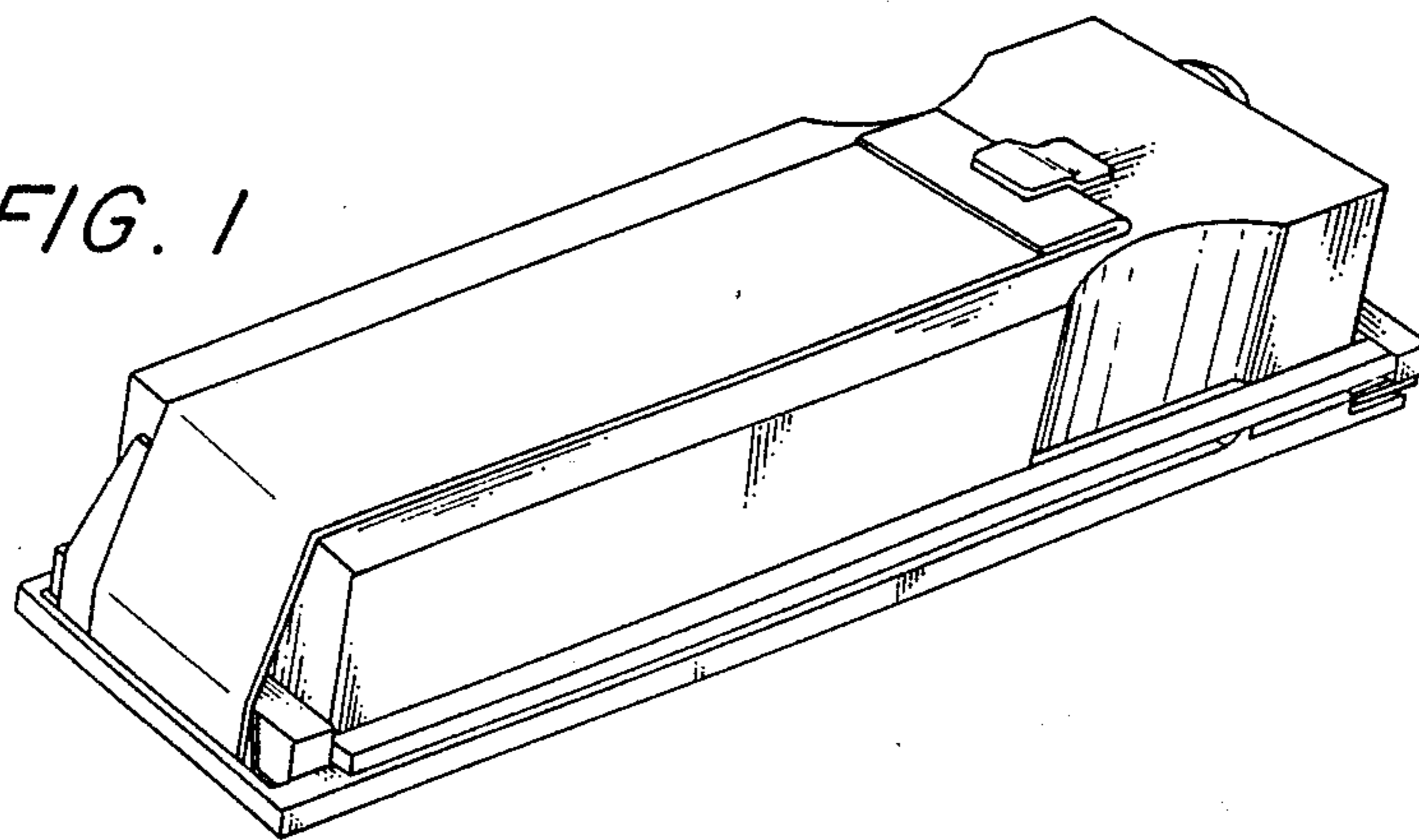


FIG. 2

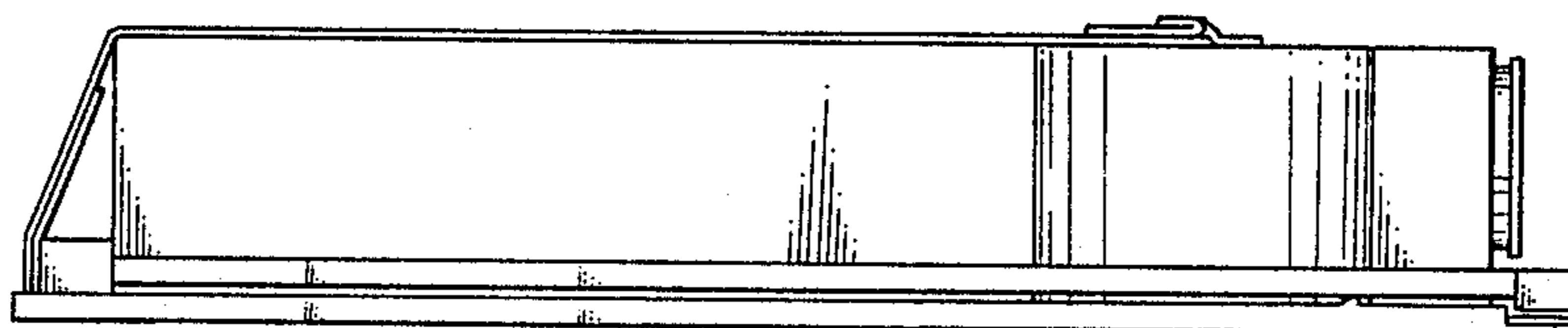


FIG. 3

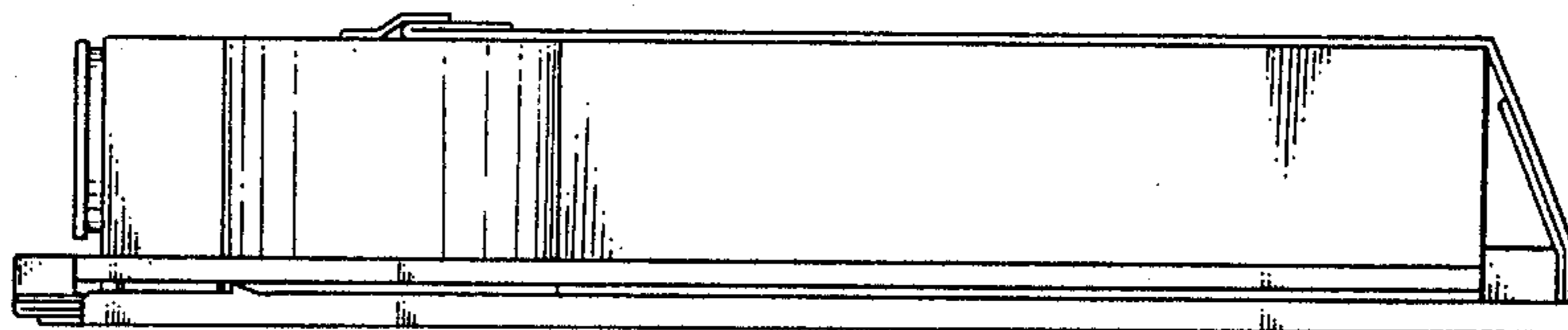


FIG. 4

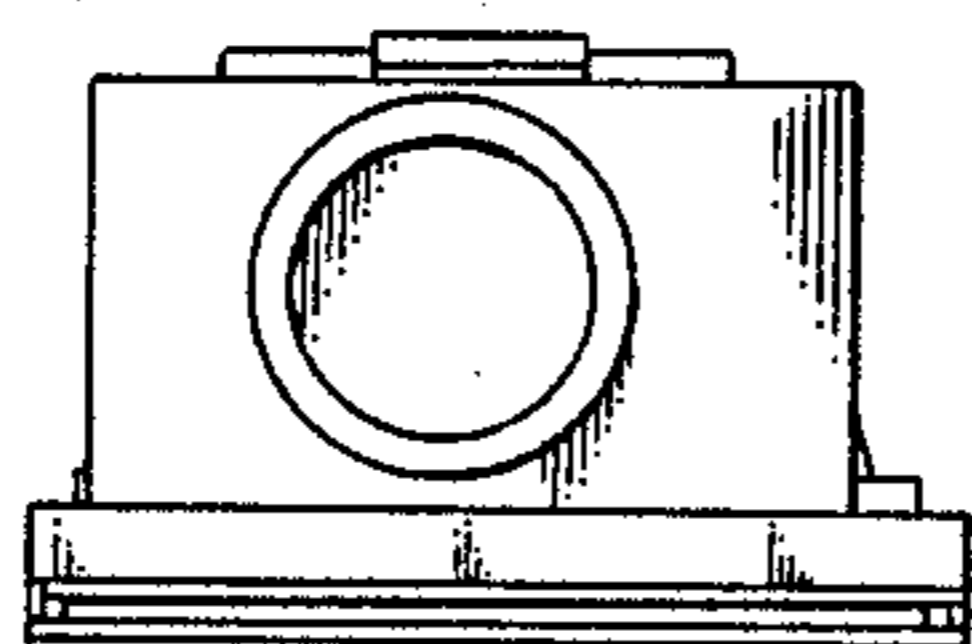


FIG. 5

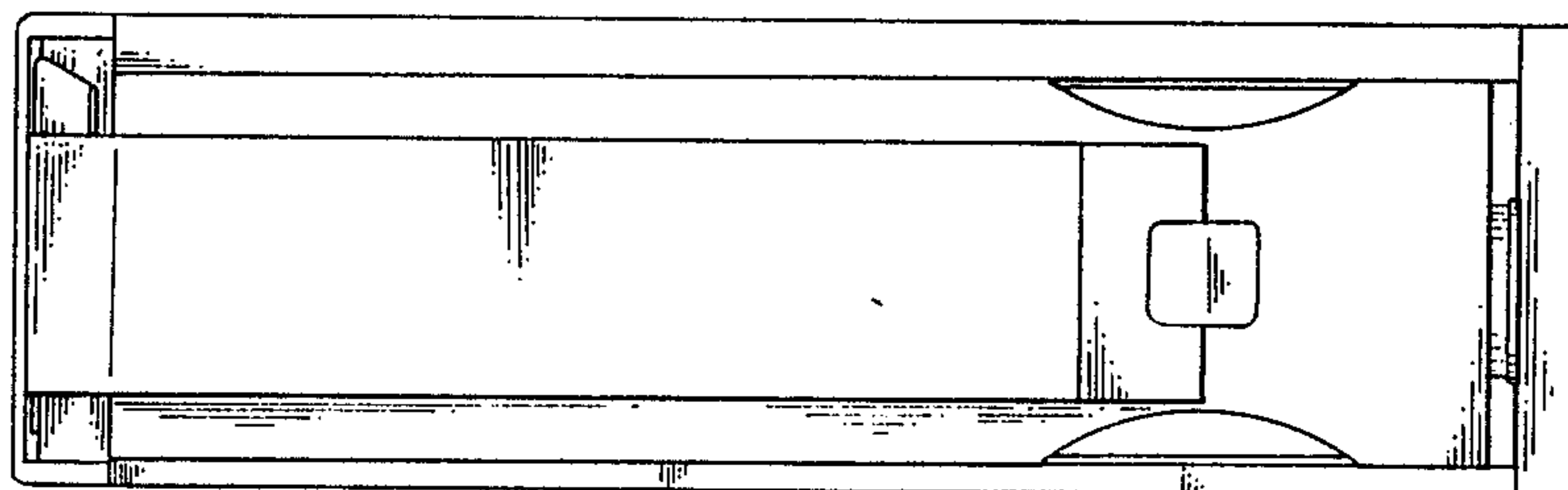


FIG. 6

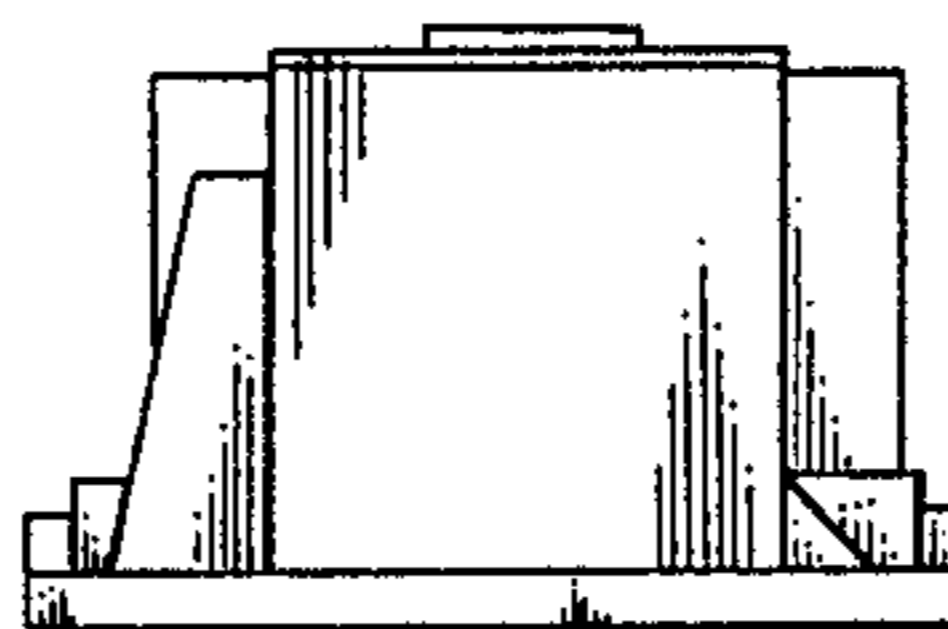


FIG. 7

