

[54] PHOTOGRAPHIC CAMERA OR SIMILAR ARTICLE

[75] Inventors: James M. Ryan, New York; Enrique Alie, Brooklyn, both of N.Y.; David C. Stowers, Nutley, N.J.

[73] Assignee: Polaroid Corporation, Cambridge, Mass.

[**] Term: 14 Years

[21] Appl. No.: 123,989

[22] Filed: Nov. 23, 1987

[52] U.S. Cl. D16/214; D16/200

[58] Field of Search D16/200, 201, 202, 203, D16/204, 214; 354/75, 76, 83, 219, 62, 86, 106, 107, 108, 109

[56] References Cited

U.S. PATENT DOCUMENTS

D. 179,631	2/1957	Fassin	D16/214
D. 211,059	5/1968	Barke et al.	D61/1
D. 224,982	10/1972	Conner	D16/1
D. 288,822	3/1987	Cyujou et al.	D16/200
2,545,675	3/1951	Scott	354/109
2,827,832	3/1958	Patterson et al.	354/106

3,631,773	1/1972	Moodie	354/109
3,641,886	2/1972	Seiden	354/109
3,965,480	6/1976	Eloranta	354/86

OTHER PUBLICATIONS

Best Catalog, 1984-1985, p. 316, ("Sun 600" LMS Camera).
W & Bell Co. Catalog, 1986, p. 320, (Vivitar Item 5 at upper right).

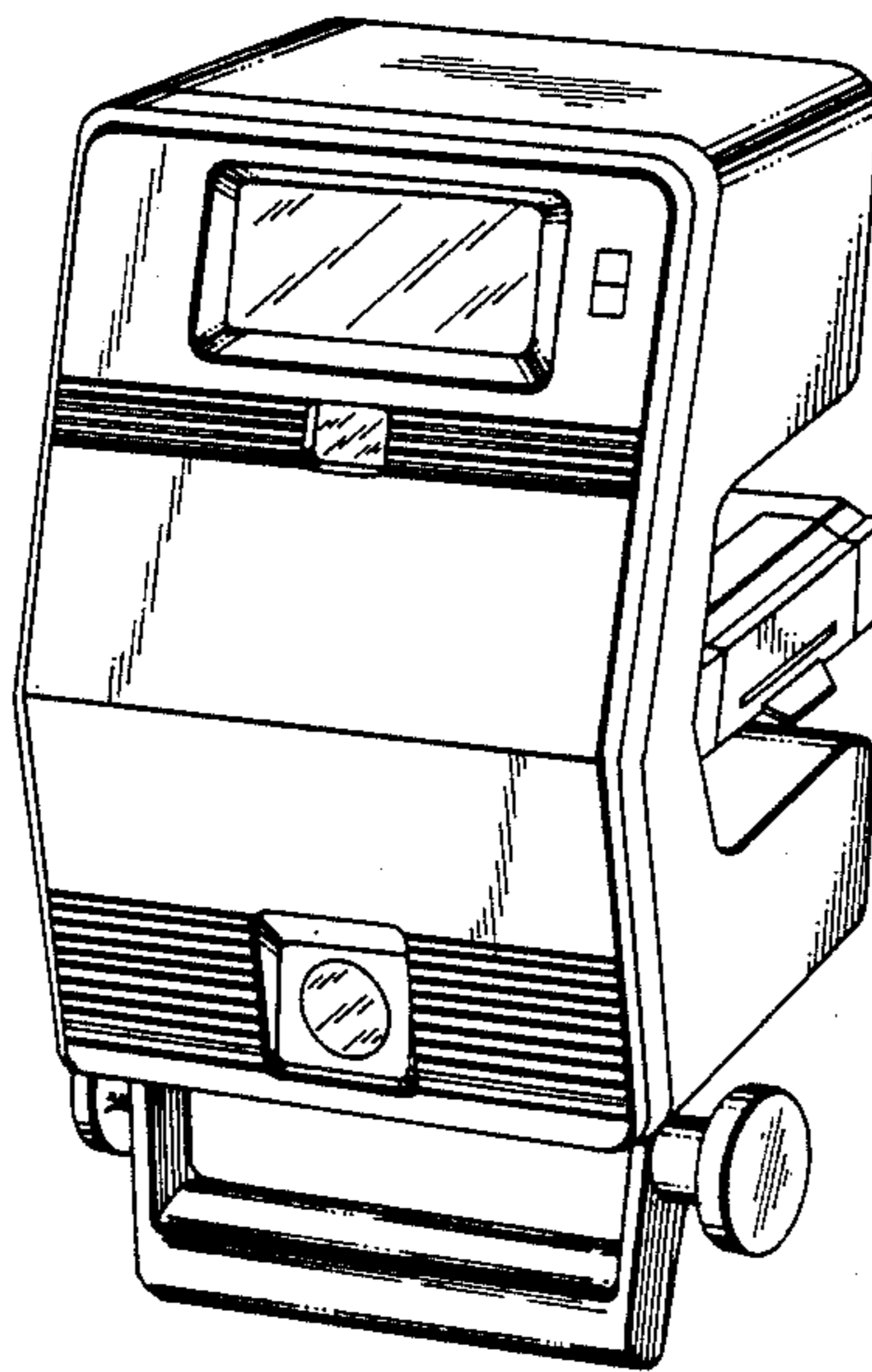
Primary Examiner—Bernard Ansher
Assistant Examiner—Adir Aronovich
Attorney, Agent, or Firm—John J. Kelleher

[57] CLAIM

The ornamental design for a photographic camera or similar article, as shown.

DESCRIPTION

FIG. 1 is a left front perspective view of a photographic camera or similar article showing our new design; FIG. 2 is a front elevational view thereof; FIG. 3 is a right side elevational view thereof; FIG. 4 is a left side elevational view thereof; FIG. 5 is a rear elevational view thereof; FIG. 6 is a top plan view thereof; and FIG. 7 is a bottom plan view thereof.



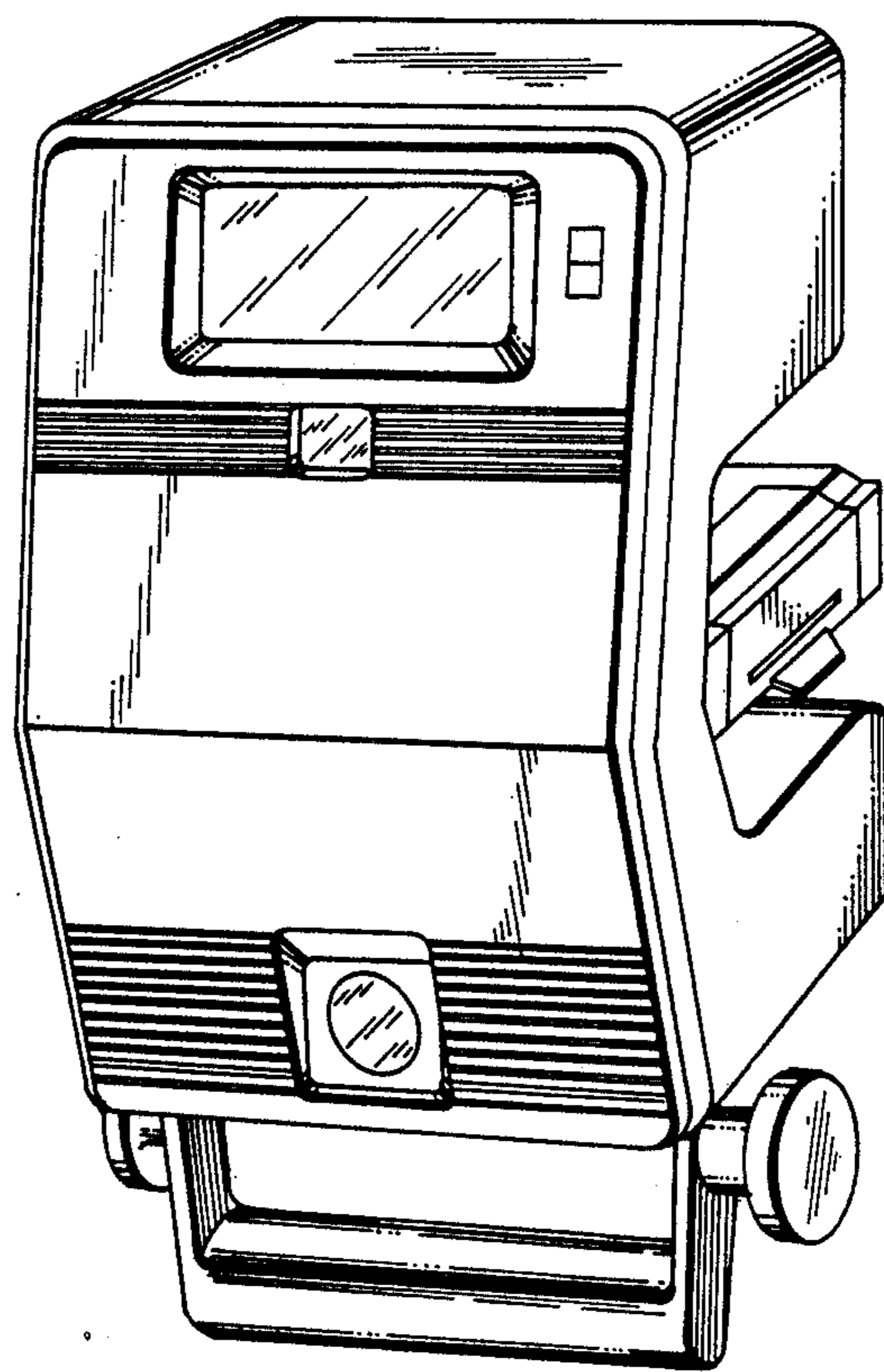


FIG 1

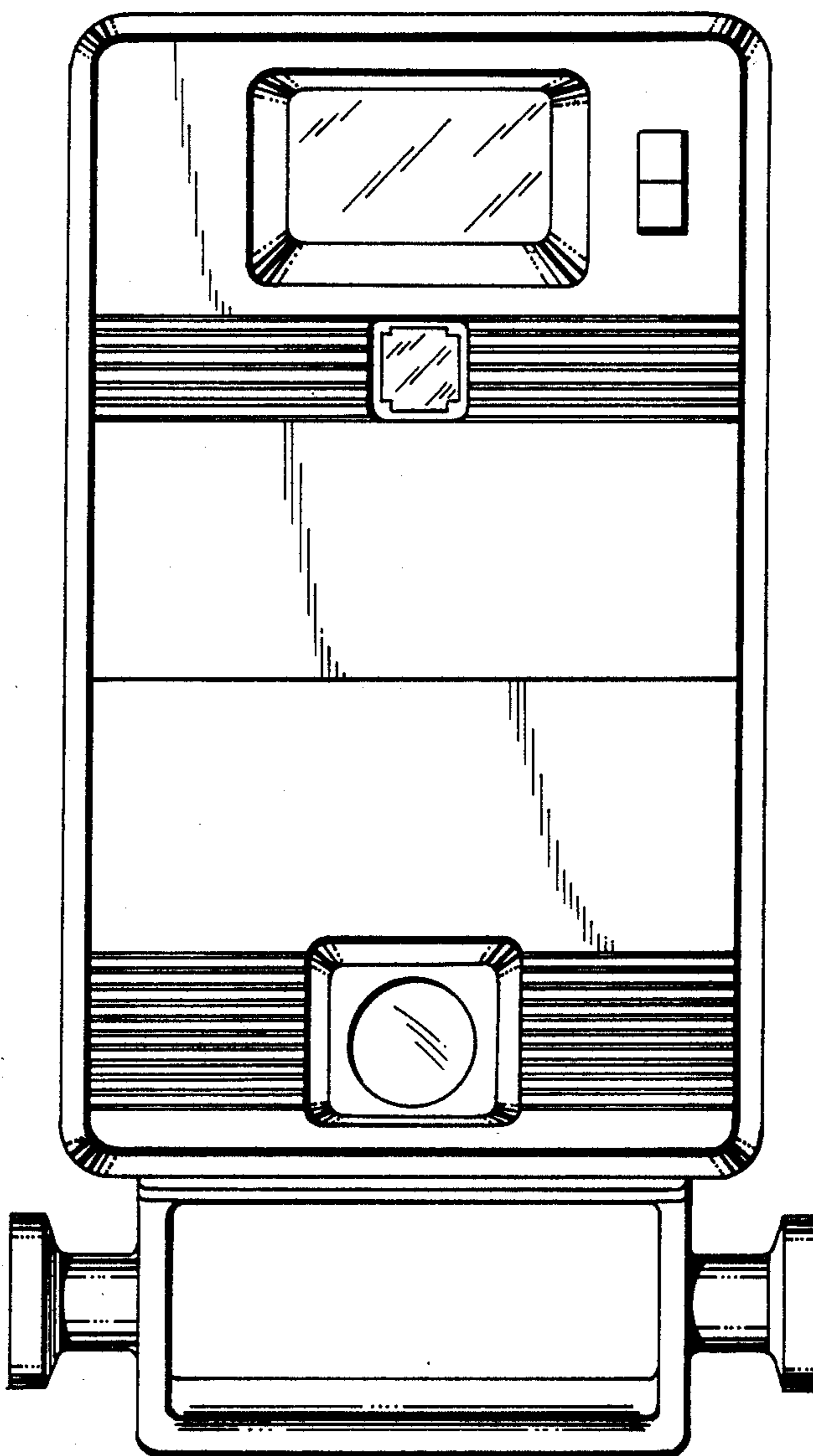


FIG 2

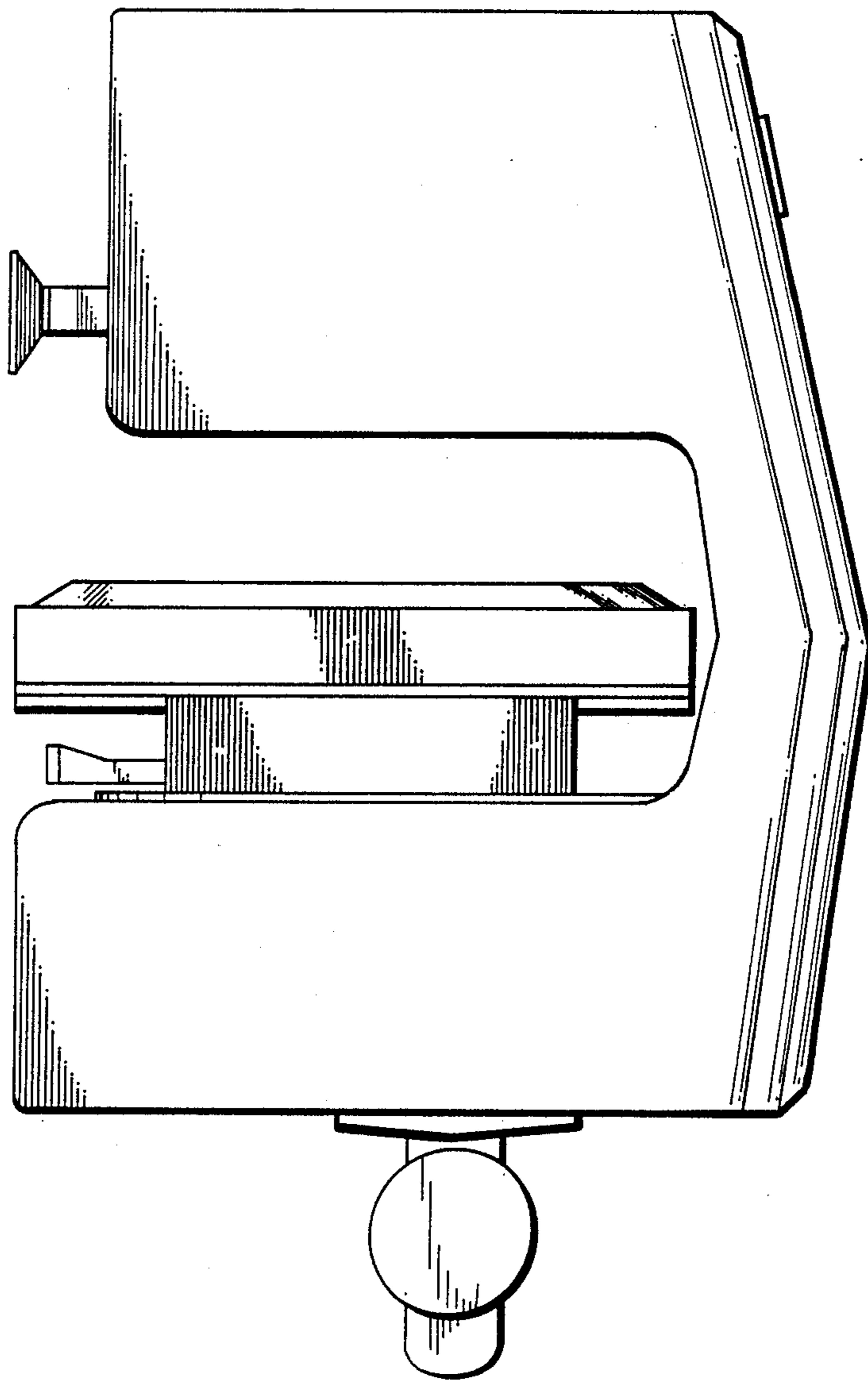


FIG 3

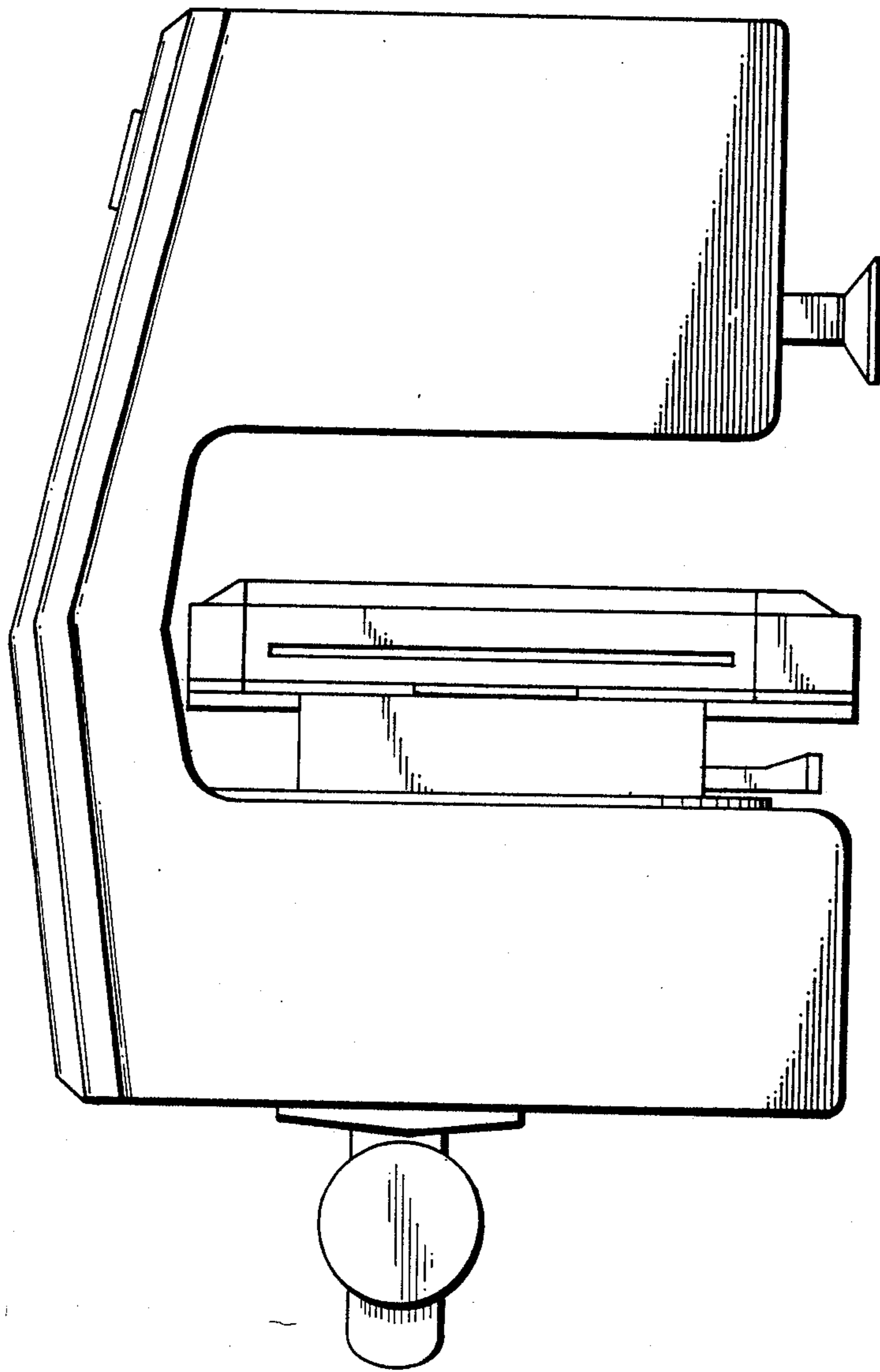


FIG 4

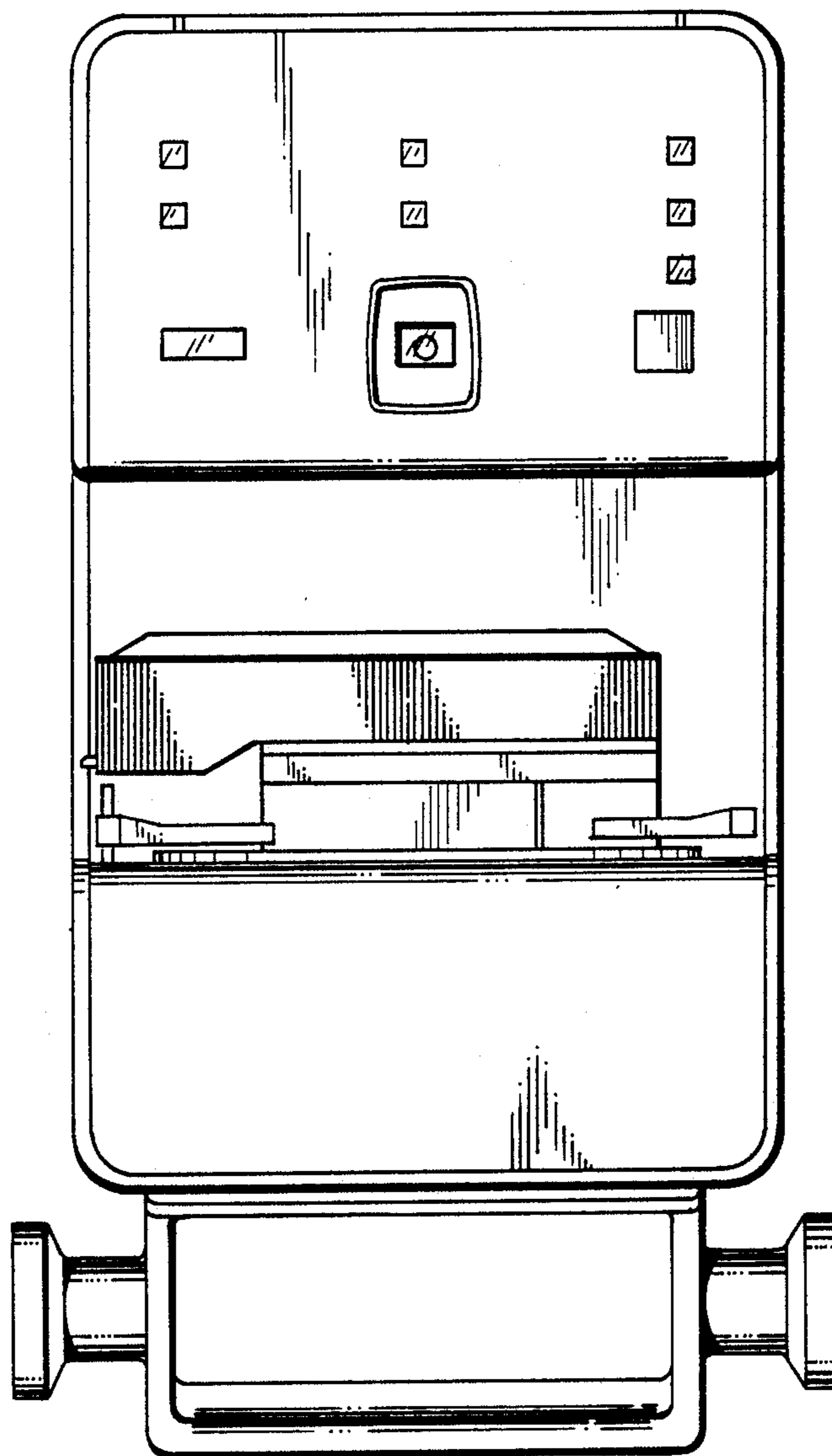


FIG 5

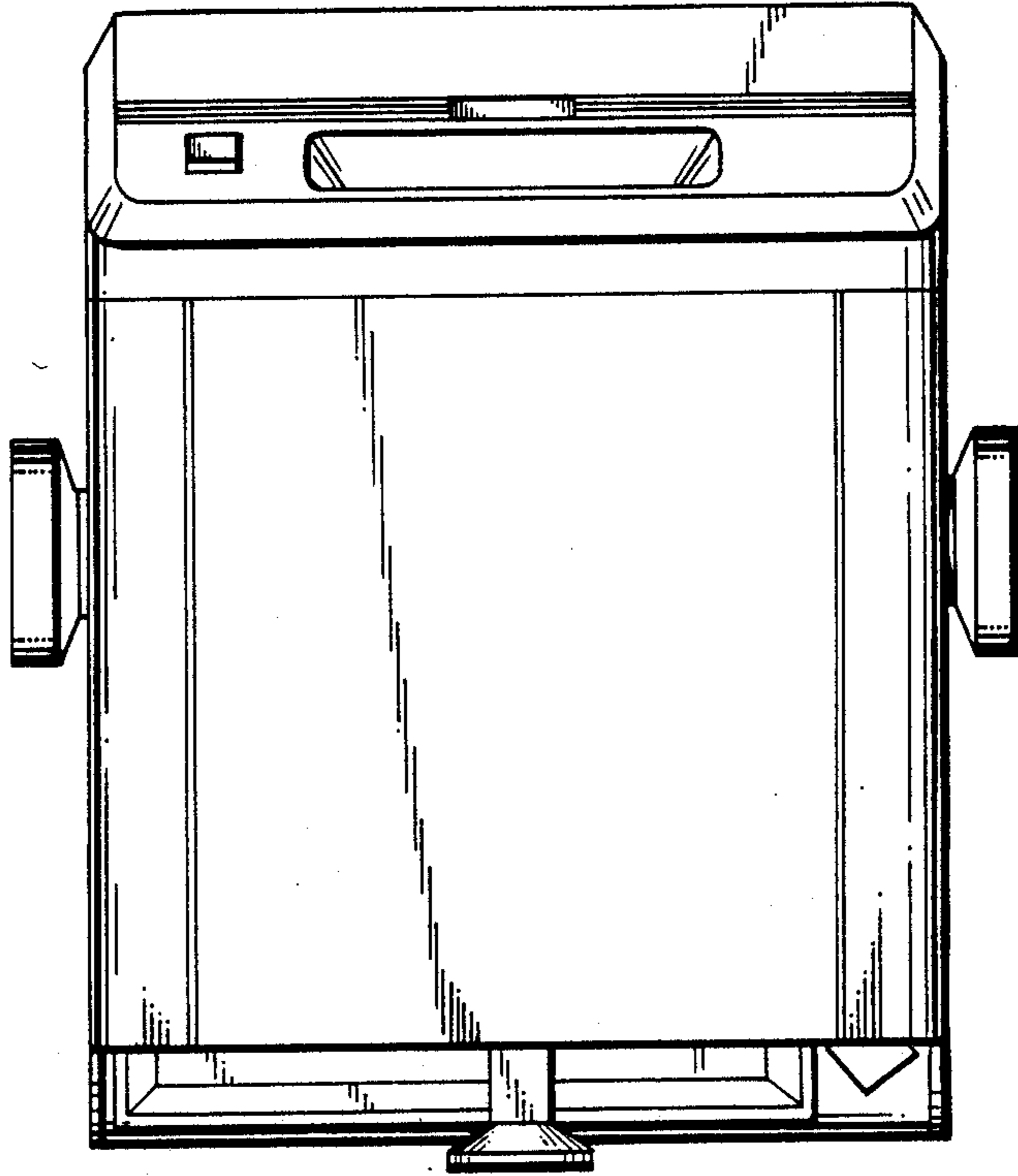


FIG 6

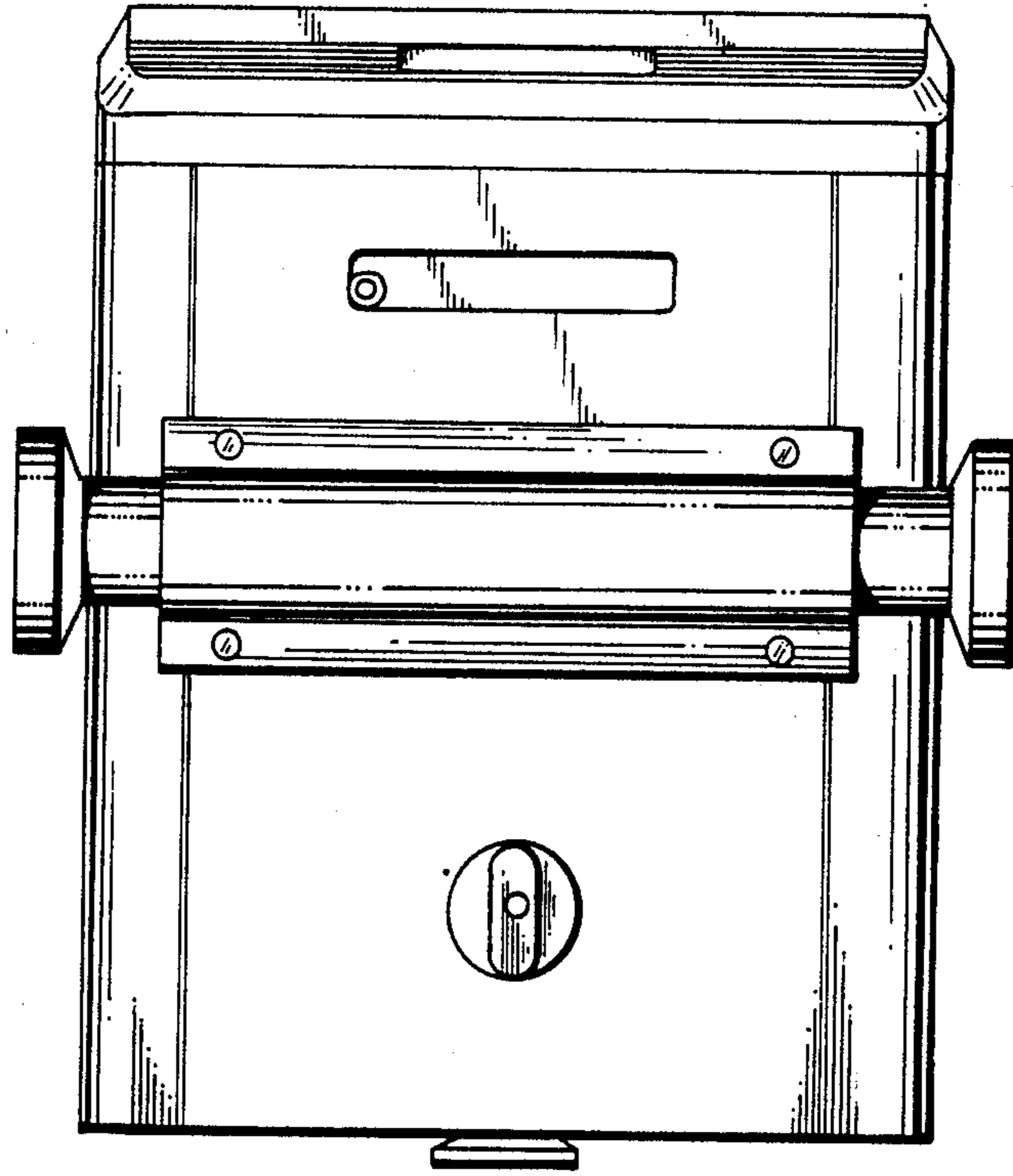


FIG 7