

[54] SPECIALIZED CIRCLE CUTTER

[76] Inventors: Robert L. Garrett, 46301 Twp. Rd. 1171; Gregory A. Lauvray, 335 Sycamore, both of Coshocton, Ohio 43812

[**] Term: 14 Years

[21] Appl. No.: 63,848

[22] Filed: Jun. 19, 1987

[52] U.S. Cl. D15/139

[58] Field of Search D15/139; 408/204, 212, 408/223, 181, 183

[56] References Cited

U.S. PATENT DOCUMENTS

- D. 197,029 12/1963 Anesi D15/139
- D. 197,141 12/1963 Anesi D15/139

- 1,308,650 7/1919 Wilson 408/223 X
- 2,906,145 9/1959 Morse 408/181
- 3,130,610 4/1964 Bogdan 408/181

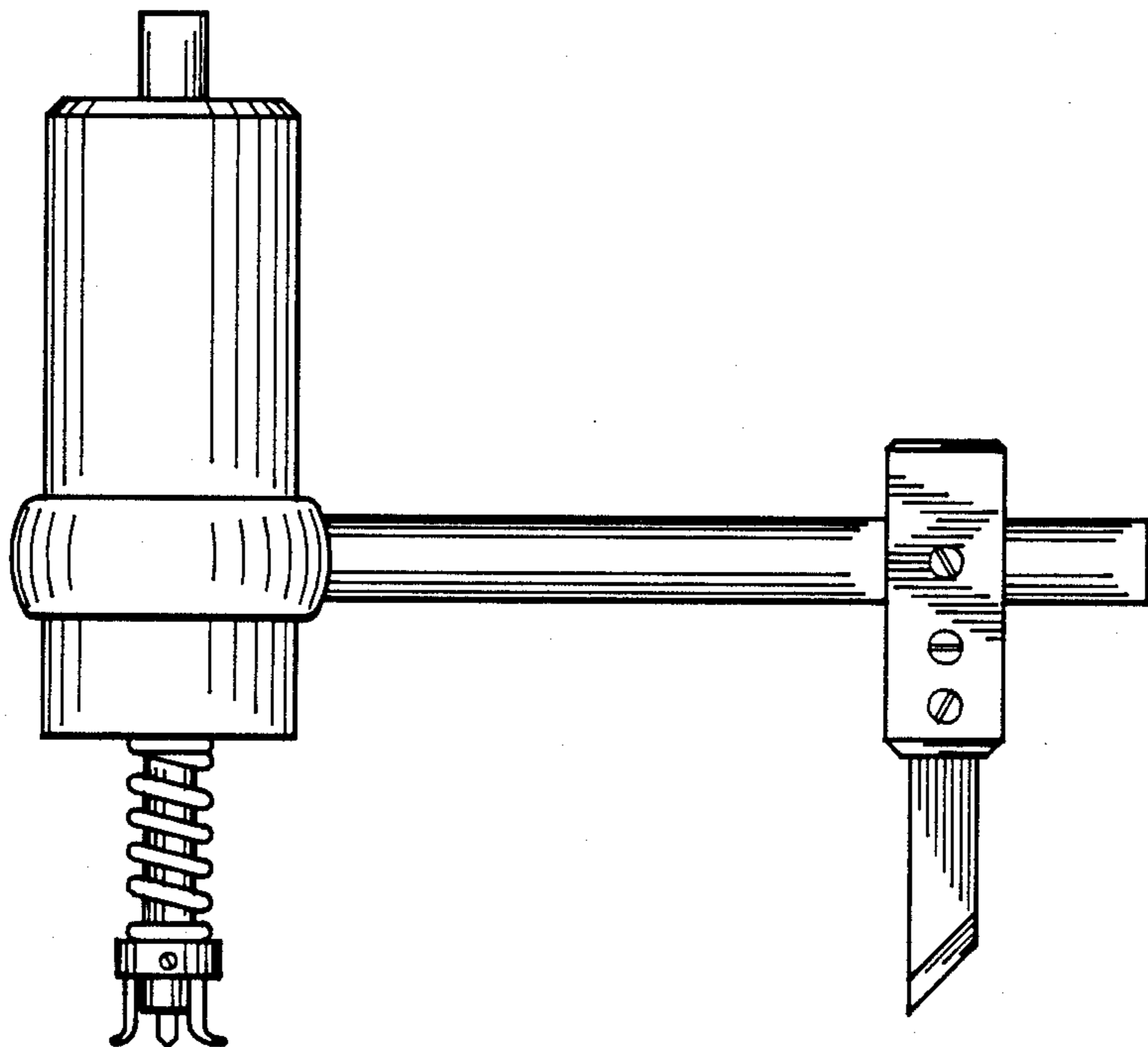
Primary Examiner—Bruce W. Dunkins
Assistant Examiner—Jeffrey Asch
Attorney, Agent, or Firm—Jerry T. Kearns

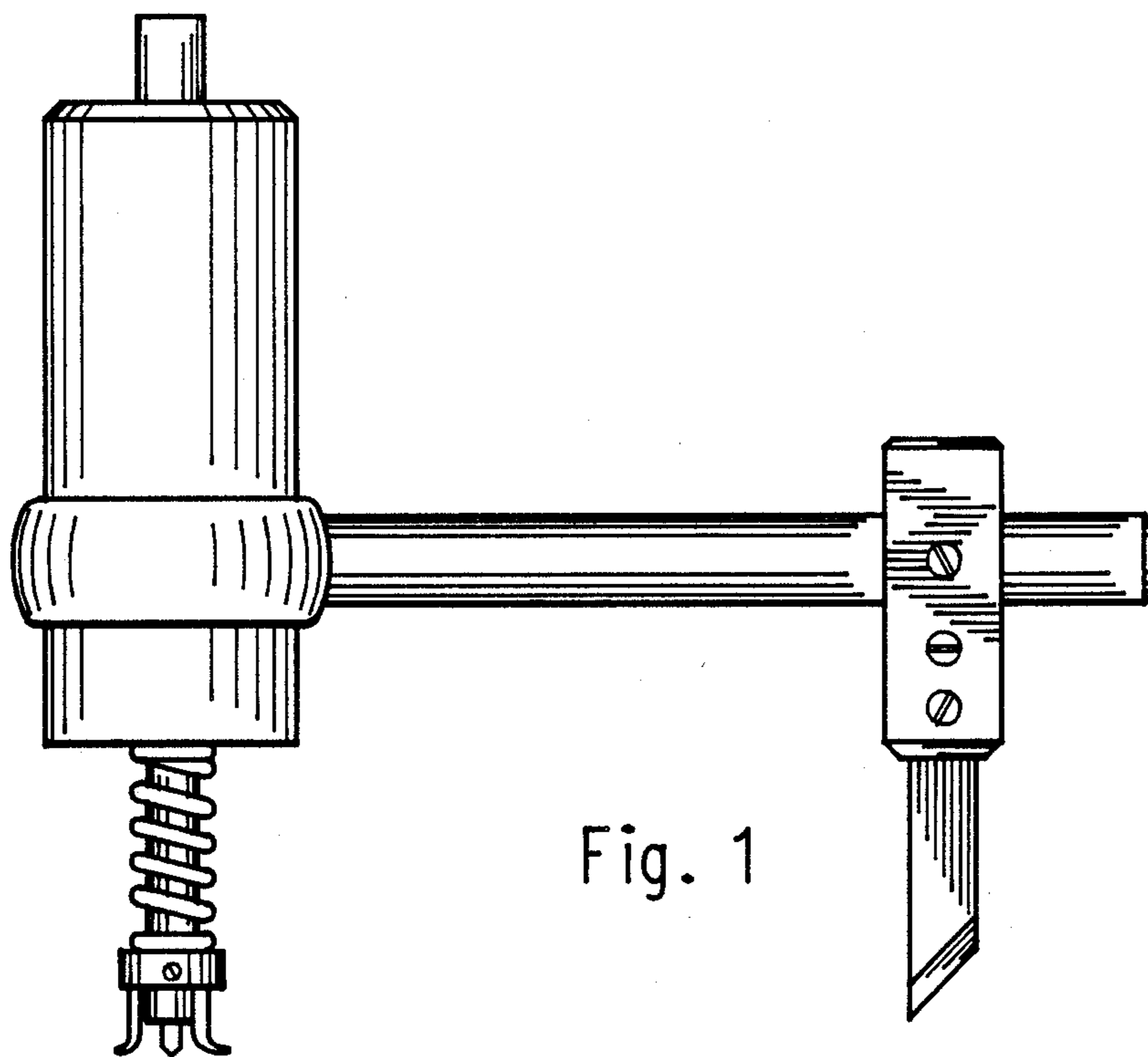
[57] CLAIM

The ornamental design for a specialized circle cutter, as shown and described.

DESCRIPTION

FIG. 1 is a front elevational view of a specialized circle cutter showing our new design; FIG. 2 is a rear elevational view; FIG. 3 is a left side elevational view; FIG. 4 is a right side elevational view; FIG. 5 is a top plan view; and, FIG. 6 is a bottom plan view thereof.





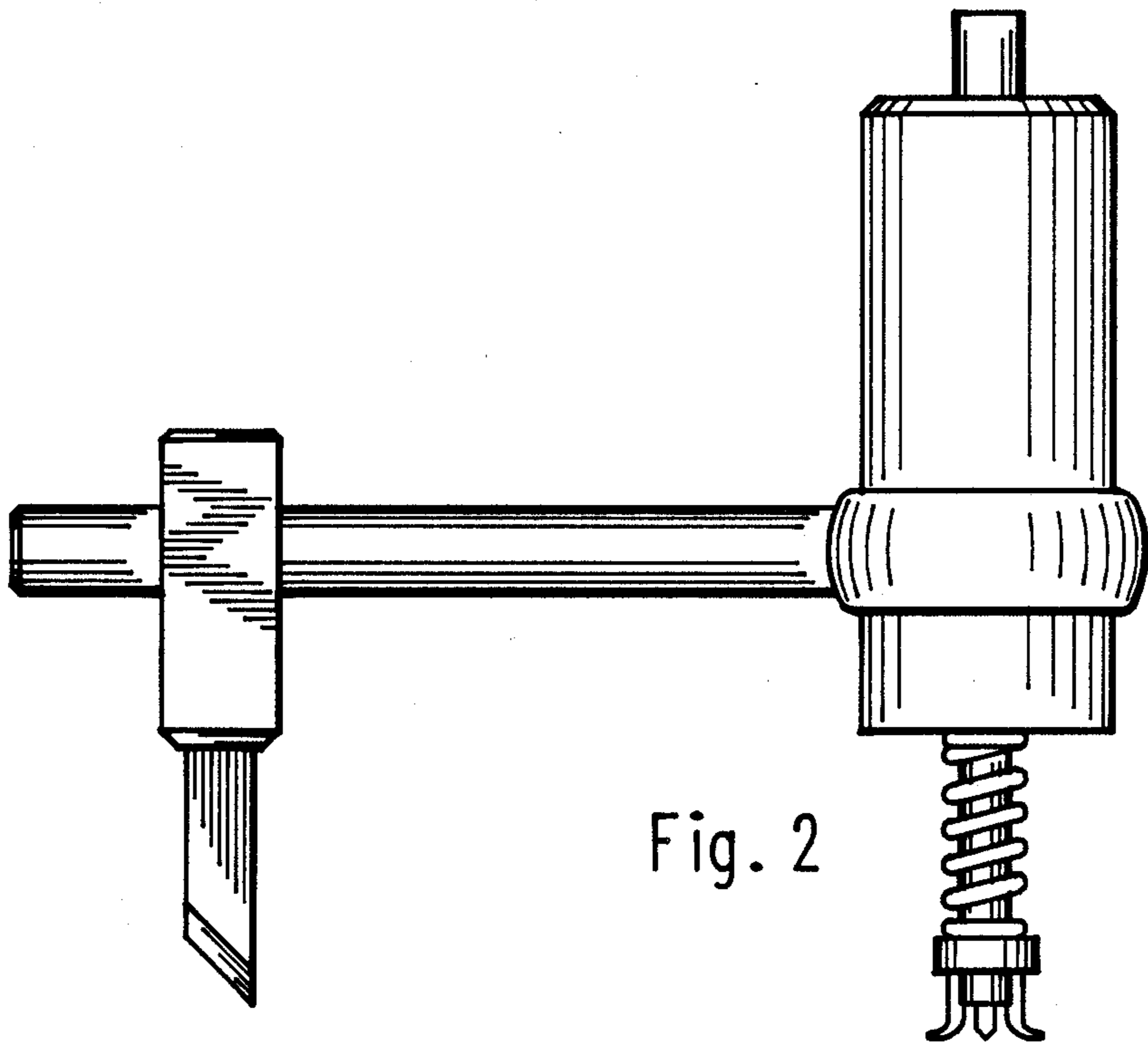


Fig. 2

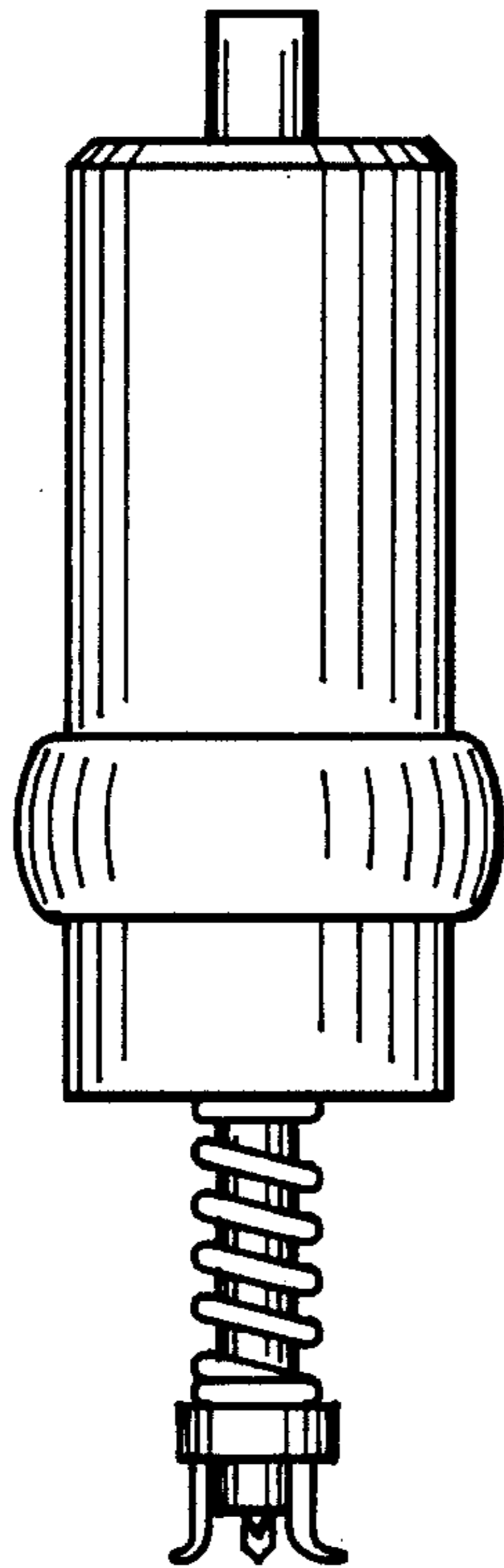


Fig. 3

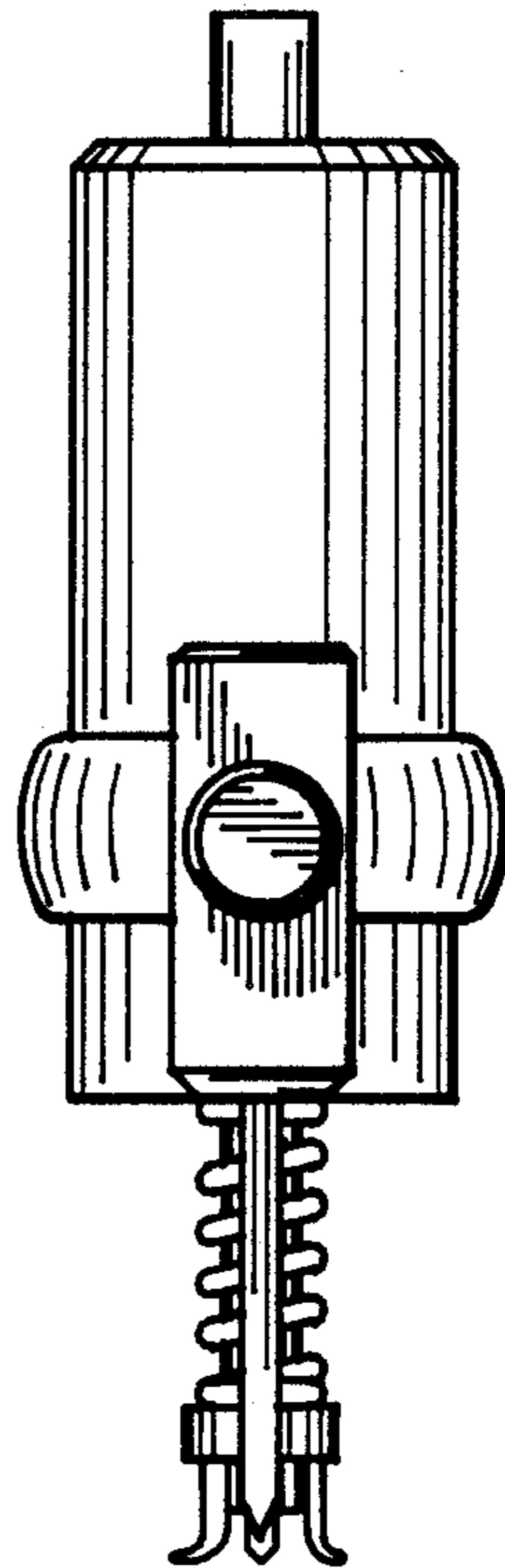


Fig. 4

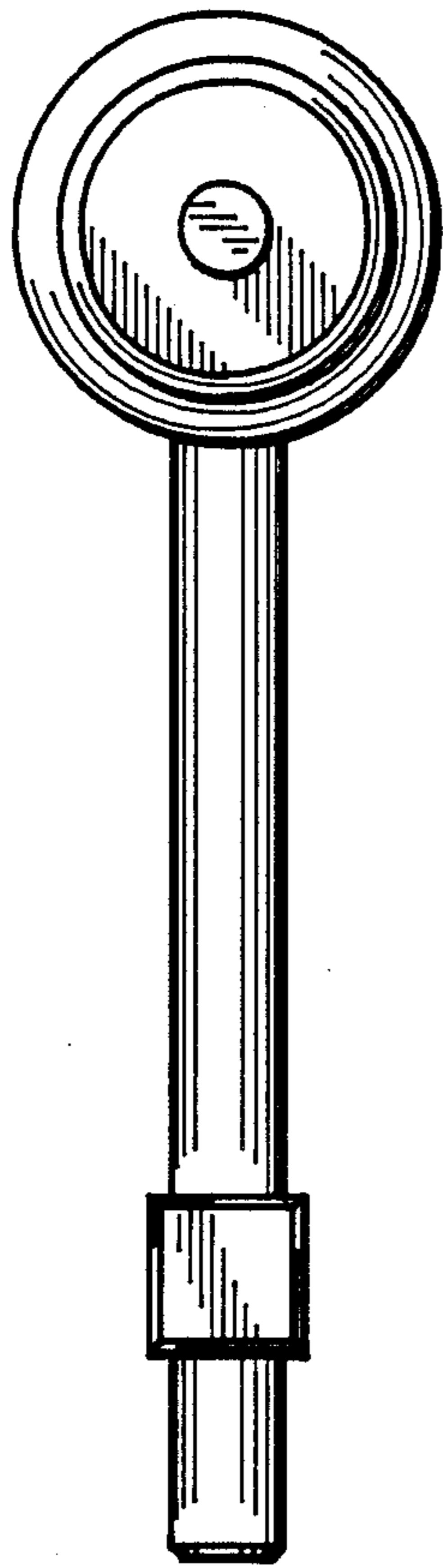


Fig. 5

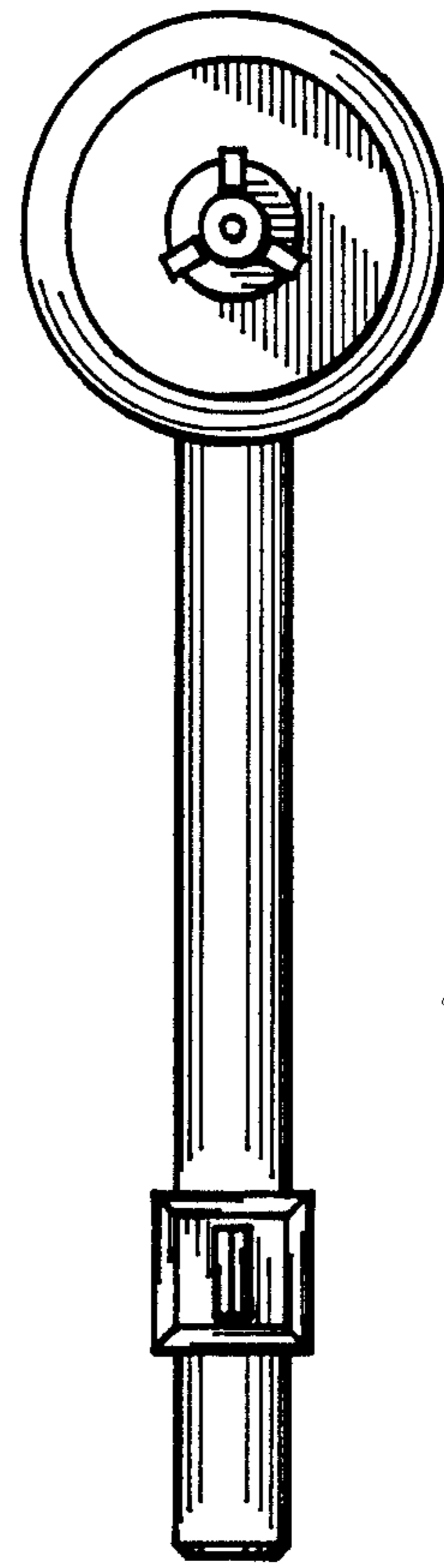


Fig. 6