

[54] **INDUSTRIAL SEWING MACHINE**

[75] **Inventor: Toyokichi Gotou, Souka, Japan**

[73] **Assignee: Newlong Machine Works, Ltd.,  
Tokyo, Japan**

[\*] **Notice:** The portion of the term of this patent subsequent to Jul. 3, 2004 has been disclaimed.

[\*\*] **Term: 14 Years**

[21] **Appl. No.: 886,775**

[22] **Filed: Jul. 17, 1986**

[30] **Foreign Application Priority Data**

May 25, 1986 [JP] Japan ..... 61-10510  
[52] **U.S. Cl. .... D15/69**  
[58] **Field of Search .... D15/66, 68-76;  
112/63, 258-261**

[56] **References Cited**

**U.S. PATENT DOCUMENTS**

D. 249,947	10/1978	Gegauf .....	D15/68
D. 288,207	2/1987	Kuroki et al. ....	D15/70
D. 291,088	7/1987	Hanyu .....	D15/69
D. 291,999	9/1987	Yoneda .....	D15/69
4,314,517	2/1982	Kasahara et al. ....	112/260

*Primary Examiner*—A. Hugo Word  
*Assistant Examiner*—Ruth McInroy  
*Attorney, Agent, or Firm*—Lowe, Price, LeBlanc,  
Becker & Shur

[57] **CLAIM**

The ornamental design for an industrial sewing machine, as shown.

**DESCRIPTION**

FIG. 1 is a front elevational view of an industrial sewing machine showing my new design;  
FIG. 2 is a top plan view thereof;  
FIG. 3 is a bottom plan view thereof;  
FIG. 4 is a rear elevational view thereof;  
FIG. 5 is a left side elevational view thereof;  
FIG. 6 is a right side elevational view thereof; and  
FIG. 7 is a front perspective view thereof.

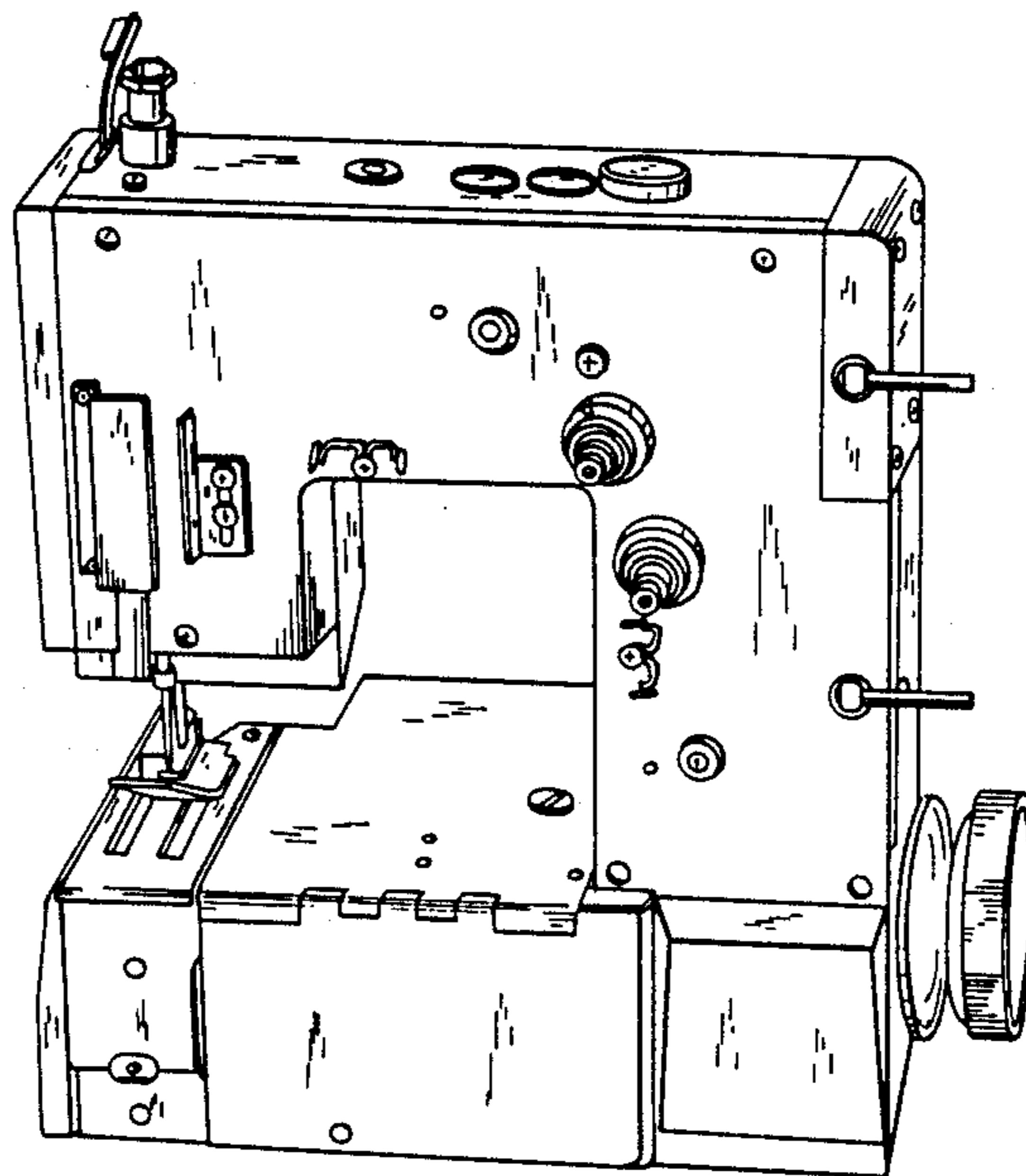


FIG. 1

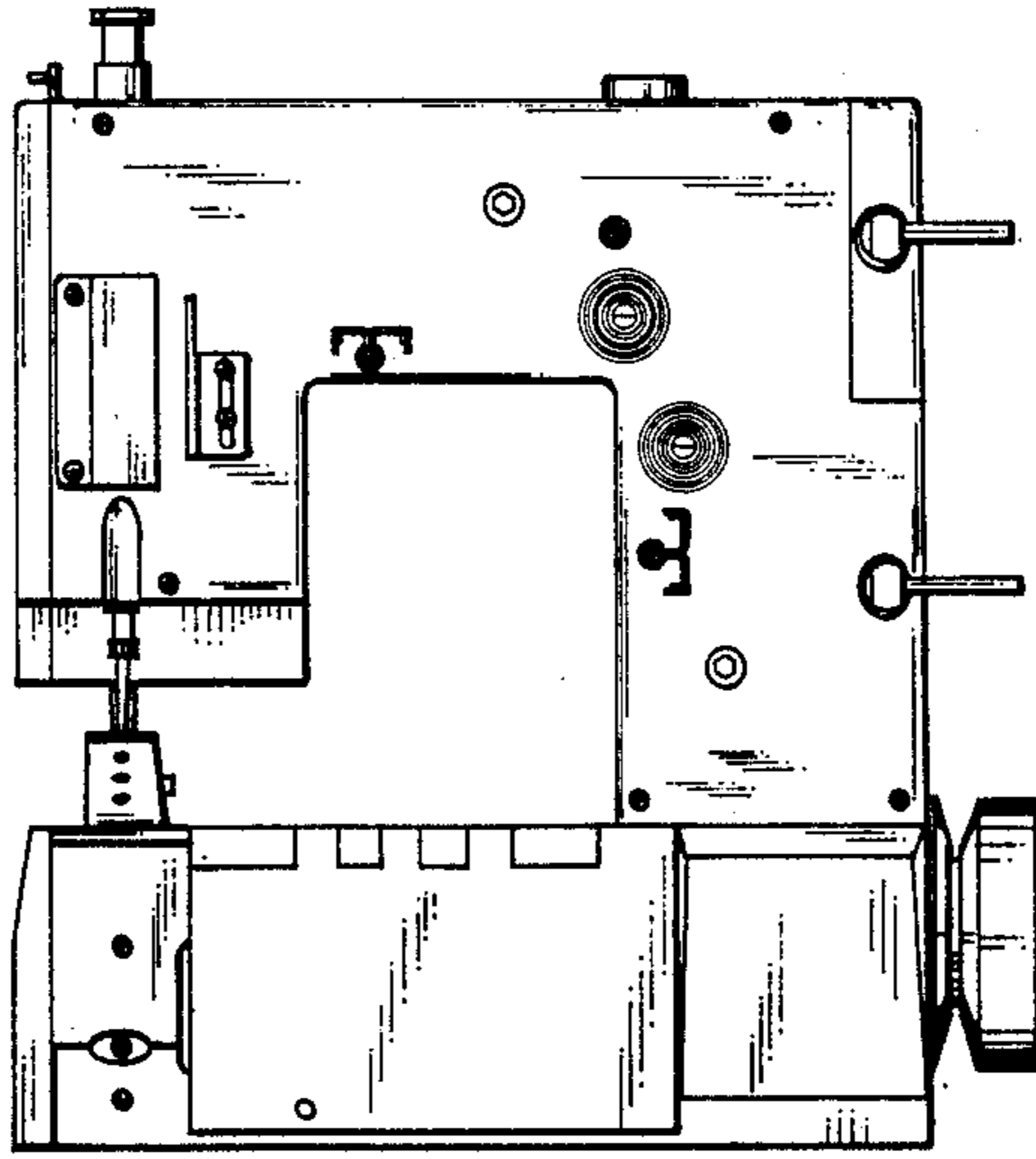


FIG. 2

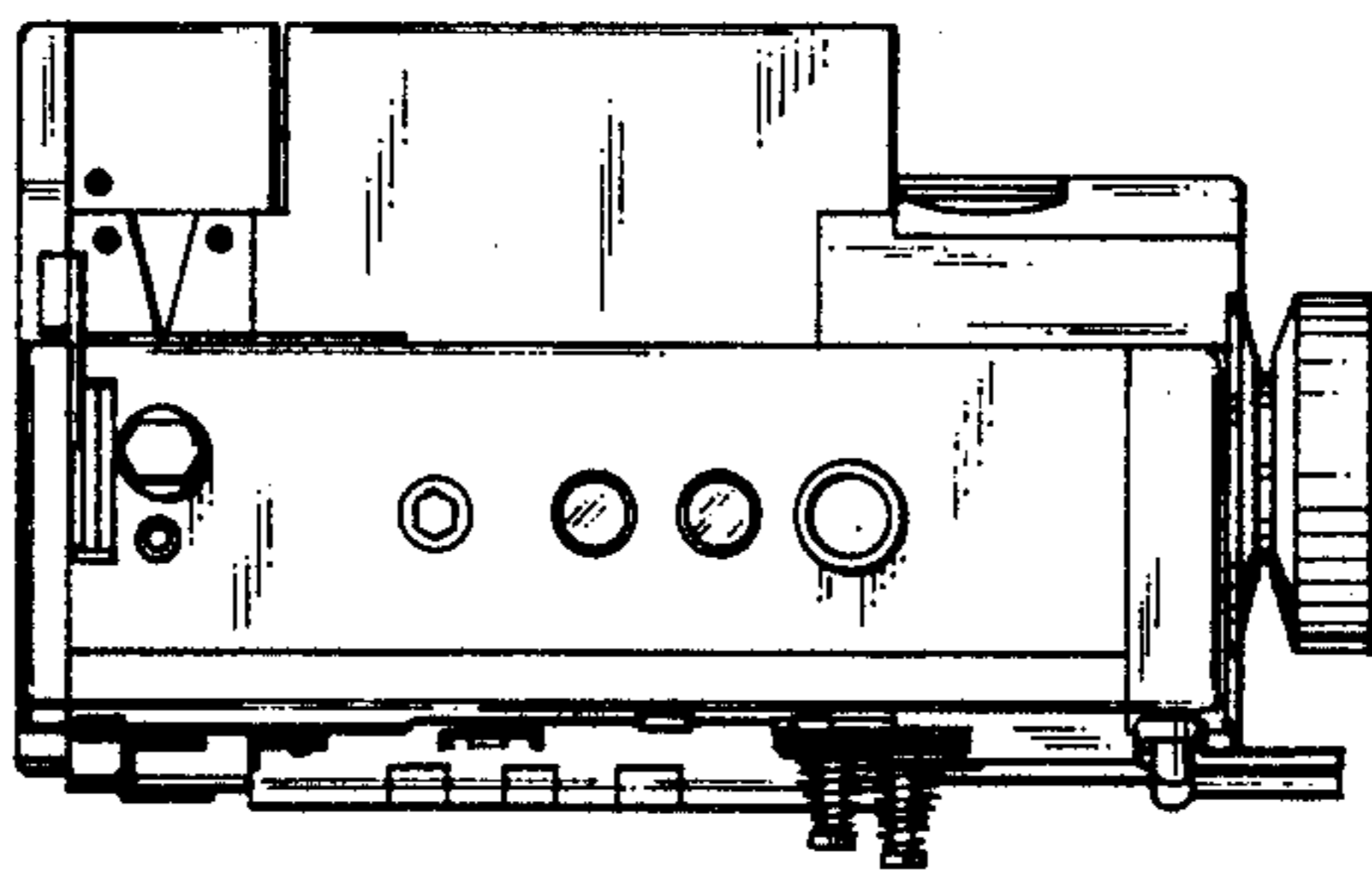


FIG. 3

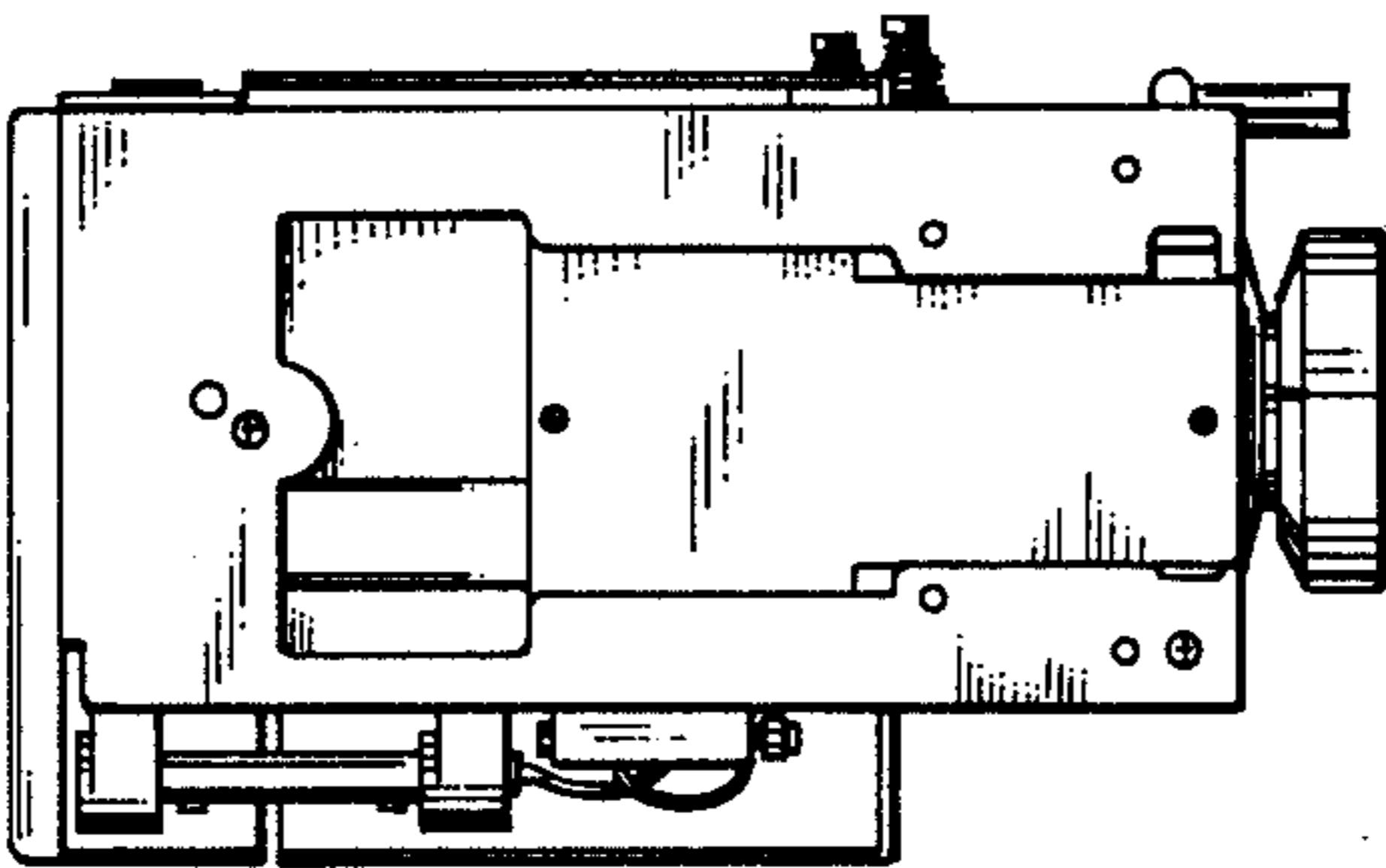


FIG. 4

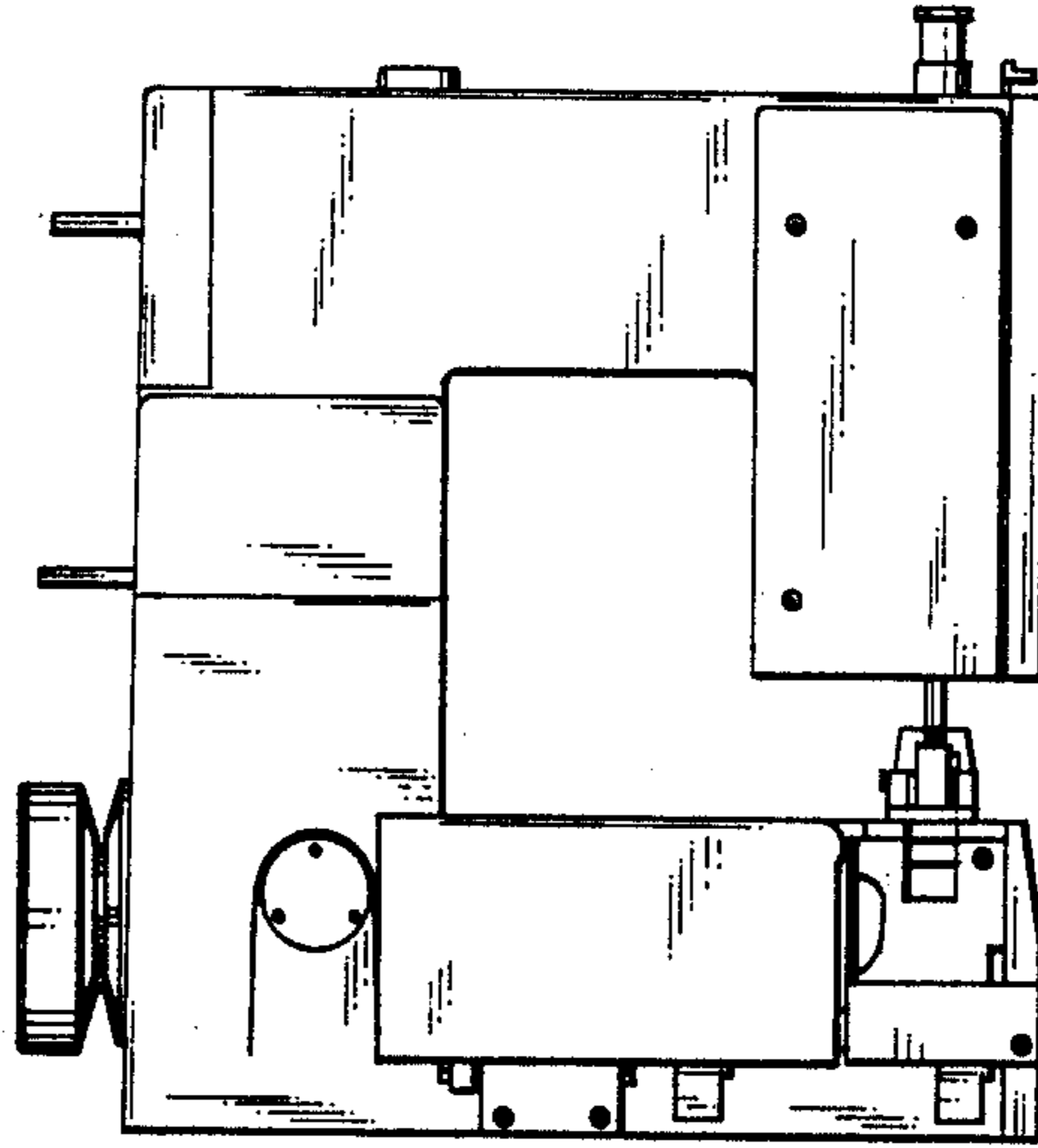


FIG. 5

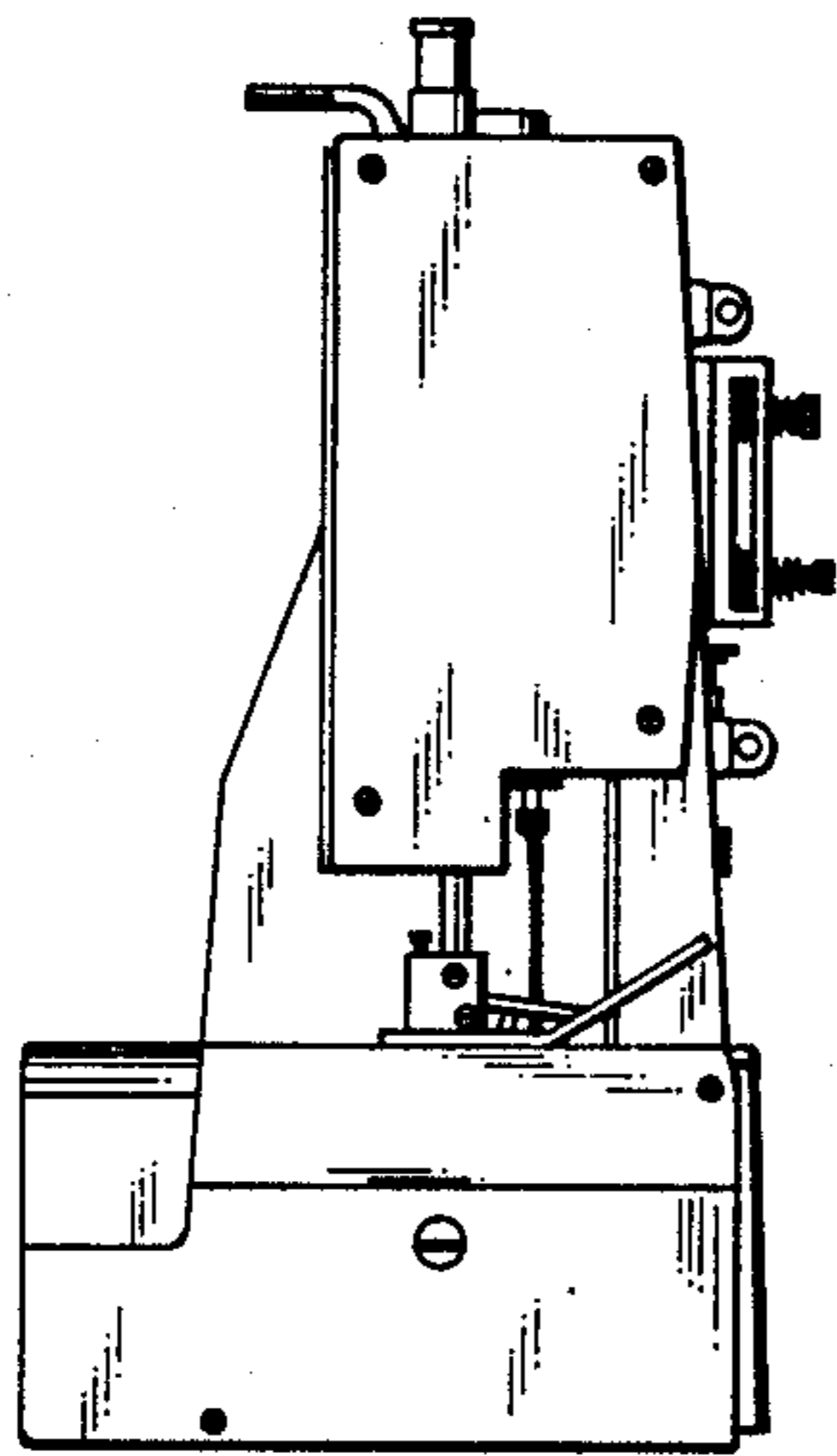
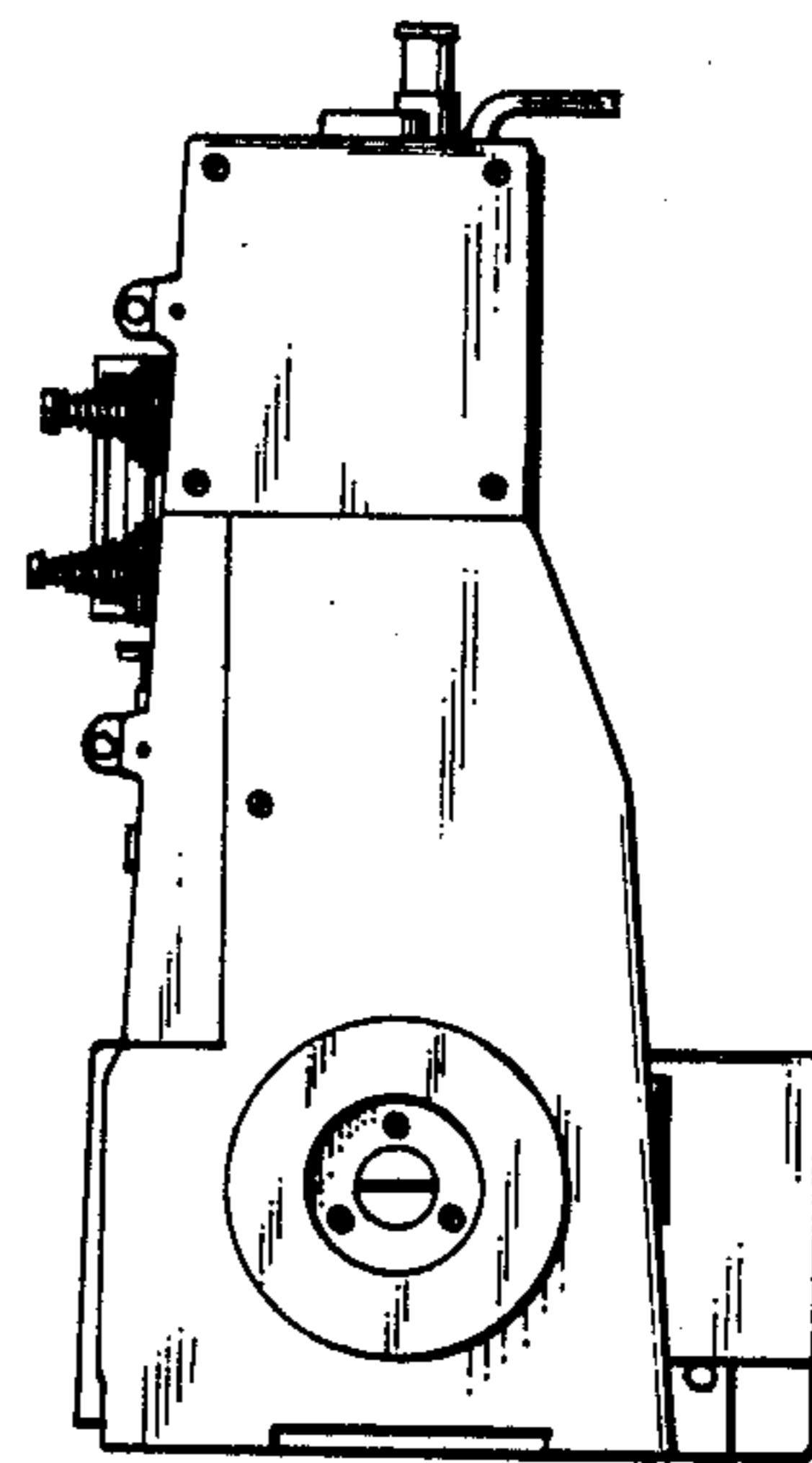


FIG. 6



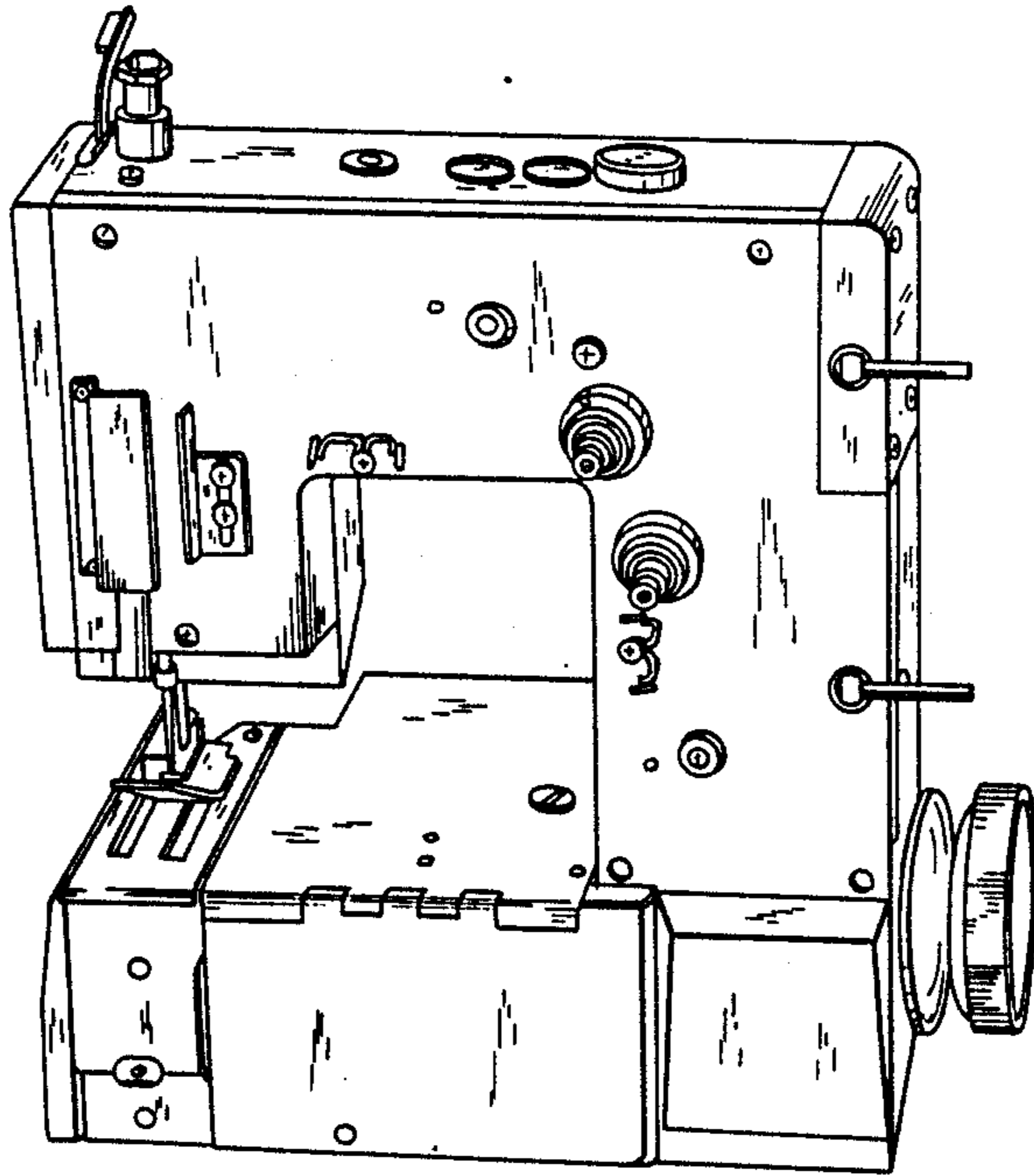


FIG. 7